



US00D775772S

(12) **United States Design Patent**
Lee et al.

(10) **Patent No.:** **US D775,772 S**
(45) **Date of Patent:** **** Jan. 3, 2017**

(54) **CLEANER**

(71) Applicant: **Samsung Electronics Co., Ltd.**,
Suwon-si, Gyeonggi-do (KR)

(72) Inventors: **Kyoung-Min Lee**, Goyang-si (KR);
Byeong-Soo Kim, Hanam-si (KR);
Soo-Hyun Yoon, Seoul (KR)

(73) Assignee: **SAMSUNG ELECTRONICS CO., LTD.**,
Gyeonggi-Do (KR)

(**) Term: **14 Years**

(21) Appl. No.: **29/515,500**

(22) Filed: **Jan. 23, 2015**

(30) **Foreign Application Priority Data**

Jul. 25, 2014 (KR) 30-2014-0036554

(51) **LOC (10) Cl.** **15-05**

(52) **U.S. Cl.**
USPC **D32/31**

(58) **Field of Classification Search**
USPC ... D32/17-18, 21-24, 31, 34, 40, 42, 49-52
CPC A47L 5/28; A47L 5/32; A47L 5/362;
A47L 5/365; A47L 5/24; A47L
5/34; A47L 7/0038; A47L 9/26; A47L
9/2857; A47L 9/20; A47L 9/02; A47L
9/322; A47L 9/325; A47L 11/34; A47L
11/40; A47L 11/4044; A47L 11/20; A47L
11/146

See application file for complete search history.

(56) **References Cited**

U.S. PATENT DOCUMENTS

D436,699 S * 1/2001 Makihara D32/22
D477,445 S * 7/2003 Schroter D32/31
D480,848 S * 10/2003 Smith D32/31

D507,387 S * 7/2005 Jacobs D32/22
D548,905 S * 8/2007 Bobrosky D32/34
D635,728 S * 4/2011 Fjellman D32/22
D642,754 S * 8/2011 Fjellman D32/31
D644,384 S * 8/2011 Santiago D32/34
D653,825 S * 2/2012 Cho D32/22
D674,158 S * 1/2013 Kim D32/31

(Continued)

Primary Examiner — Ruth McInroy

(74) *Attorney, Agent, or Firm* — Cantor Colburn LLP

(57) **CLAIM**

The ornamental design for a cleaner, as shown and described.

DESCRIPTION

FIG. 1 is a front perspective view of a cleaner, showing our new design;

FIG. 2 is a front view thereof;

FIG. 3 is a rear view thereof;

FIG. 4 is a side view thereof;

FIG. 5 is another side view thereof;

FIG. 6 is a top view thereof;

FIG. 7 is a bottom view thereof;

FIG. 8 is a rear perspective view thereof;

FIG. 9 is another perspective view thereof in an environment of use;

FIG. 10 is an enlarged view of the encircled portion 10 as shown in FIG. 1;

FIG. 11 is an enlarged view of the encircled portion 11 as shown in FIG. 2;

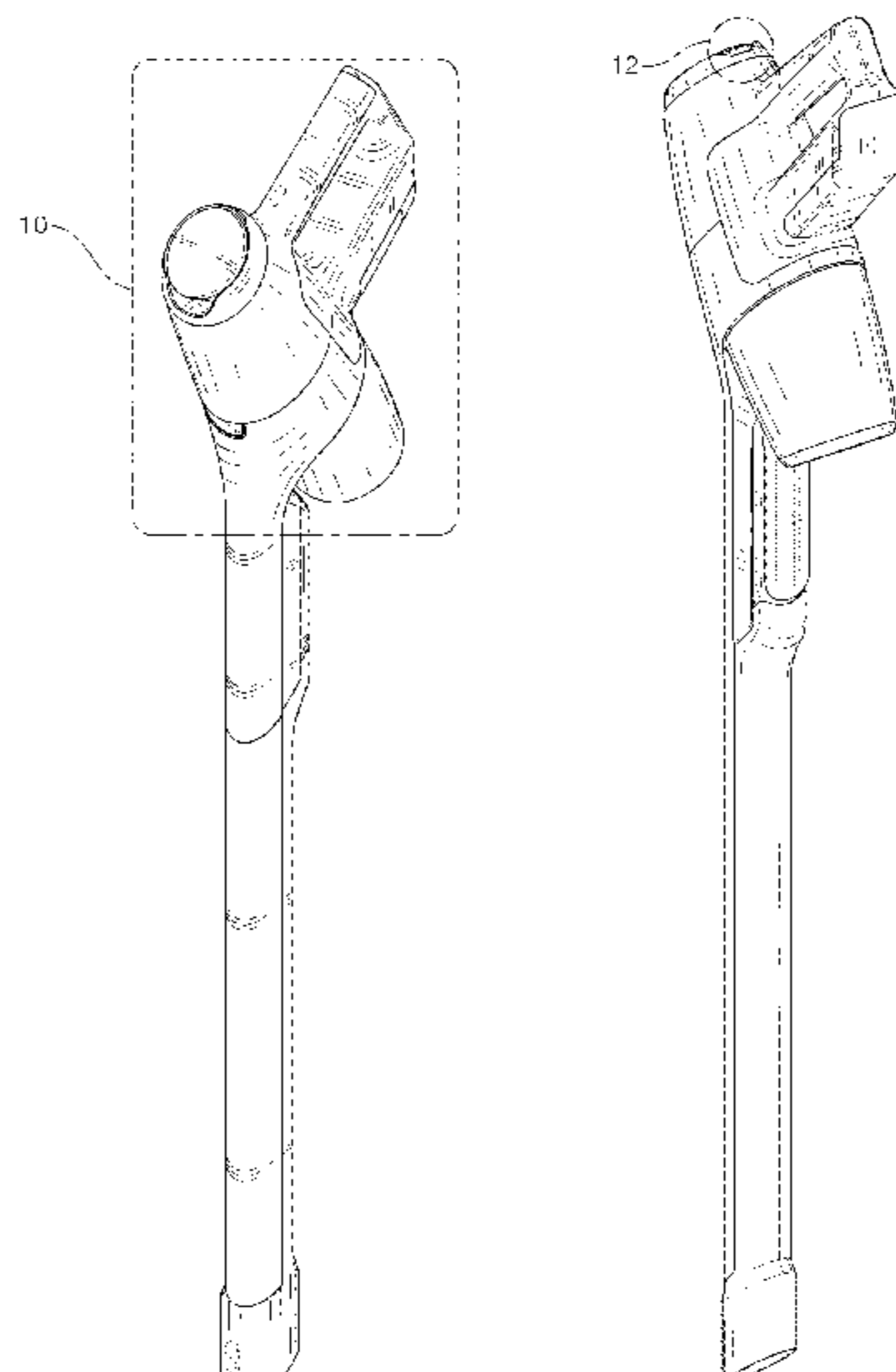
FIG. 12 is an enlarged view of the encircled portion 12 as shown in FIG. 8; and,

FIG. 13 is an enlarged view of the encircled portion 13 as shown in FIG. 9.

The broken lines are for environmental purpose only and form no part of the claimed design.

The dot-dash broken lines encircling enlargement portions of the design form no part of the claimed design.

1 Claim, 11 Drawing Sheets



(56)

References Cited

U.S. PATENT DOCUMENTS

D694,481 S * 11/2013 Grey D32/22
D731,136 S * 6/2015 Yun D32/34
D731,724 S * 6/2015 Cheon D32/22
D732,253 S * 6/2015 Cheon D32/22
D735,426 S * 7/2015 Yun D32/22
D743,125 S * 11/2015 Lee D32/22
D744,180 S * 11/2015 Yun D32/31
D745,232 S * 12/2015 Yoon D32/22
2010/0263159 A1* 10/2010 Finke A47L 5/362
15/328
2013/0081225 A1* 4/2013 McLuckie A47L 5/32
15/410
2014/0237754 A1* 8/2014 Conrad A47L 5/225
15/328
2015/0059122 A1* 3/2015 Kim A47L 5/28
15/354
2015/0250368 A1* 9/2015 Kim A47L 9/12
15/347

* cited by examiner

FIG. 1

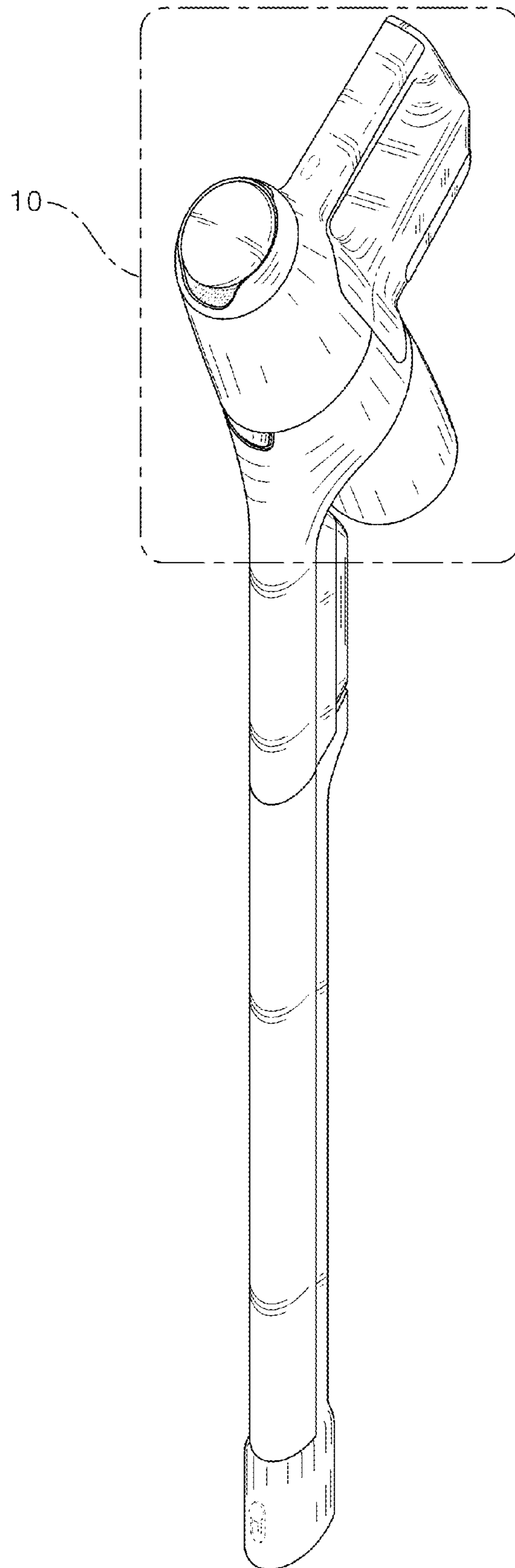


FIG. 2

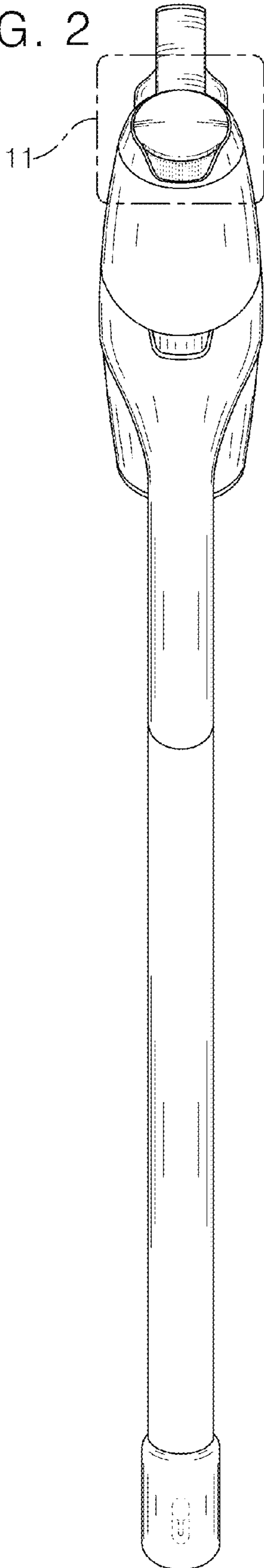
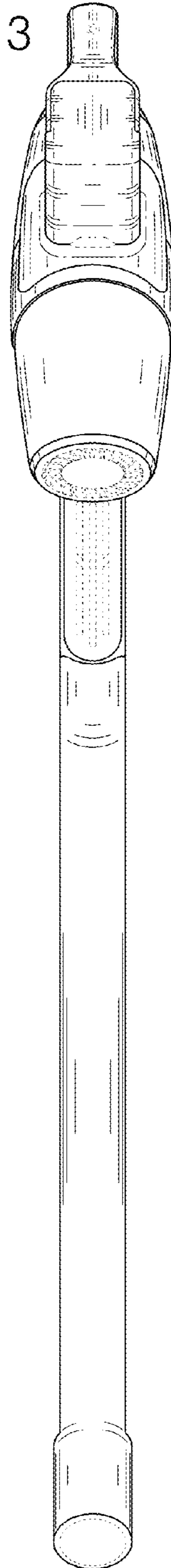


FIG. 3



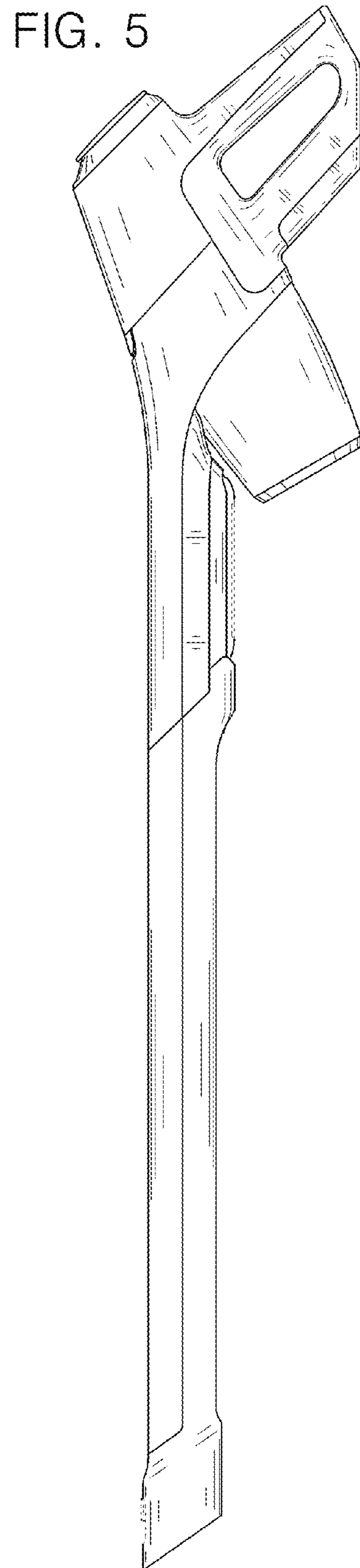
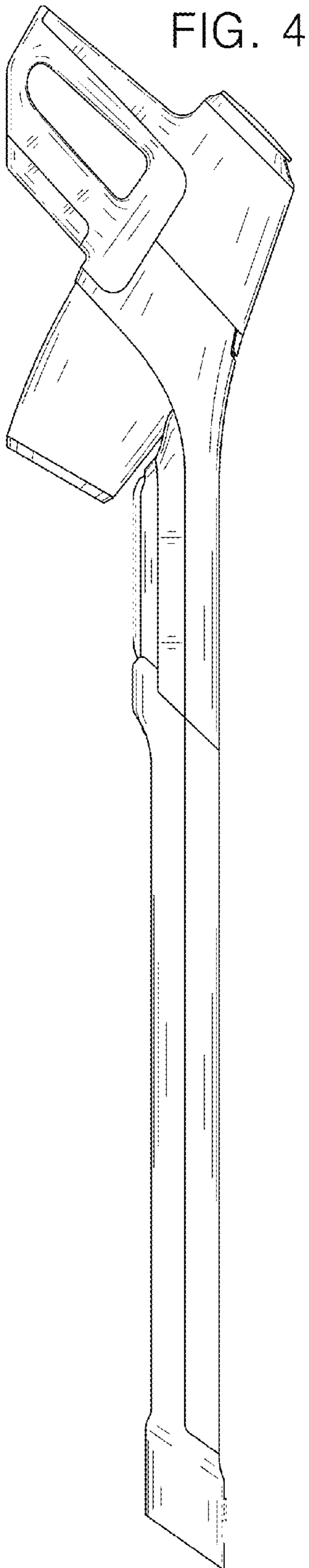


FIG. 6

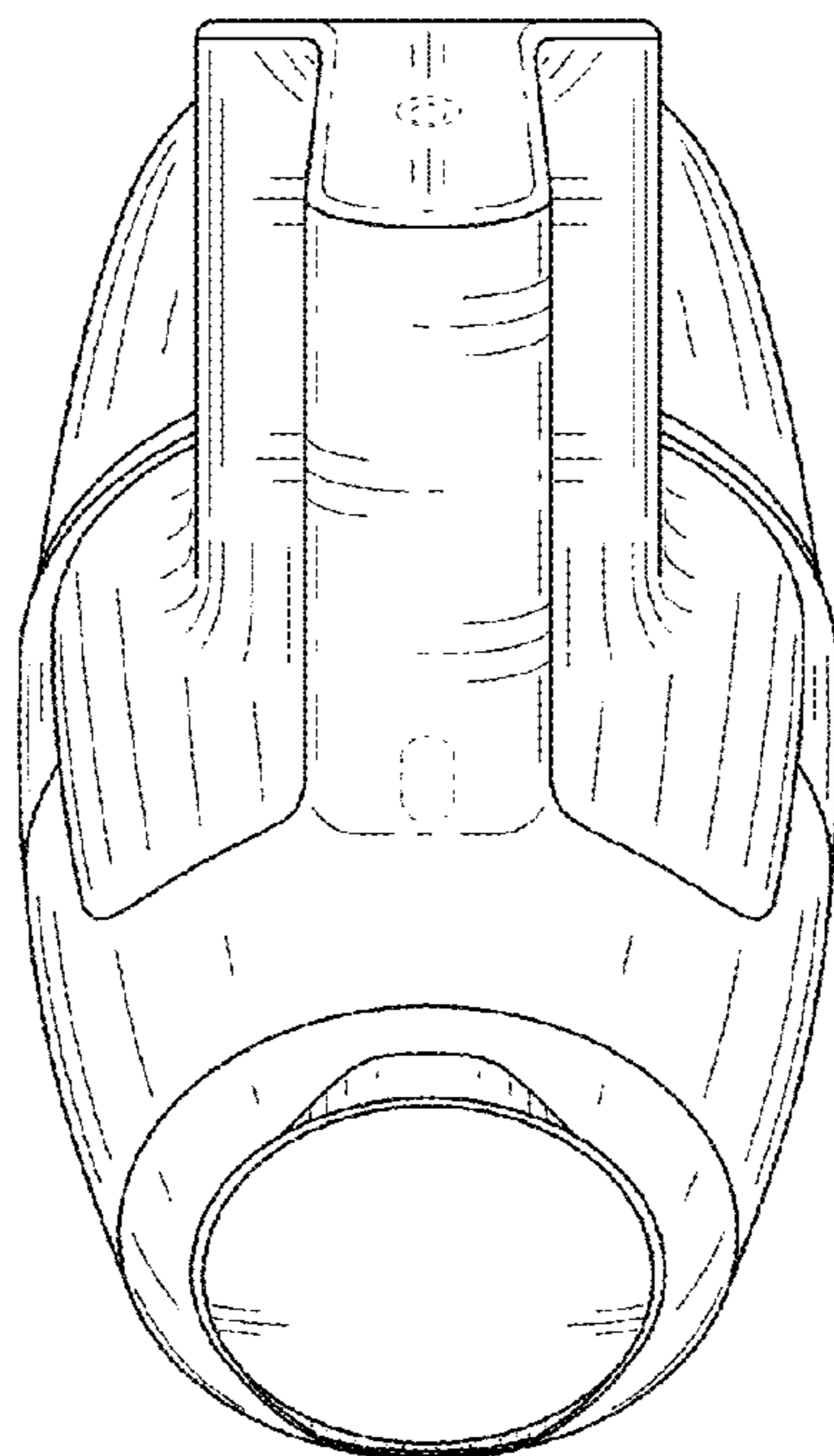


FIG. 7

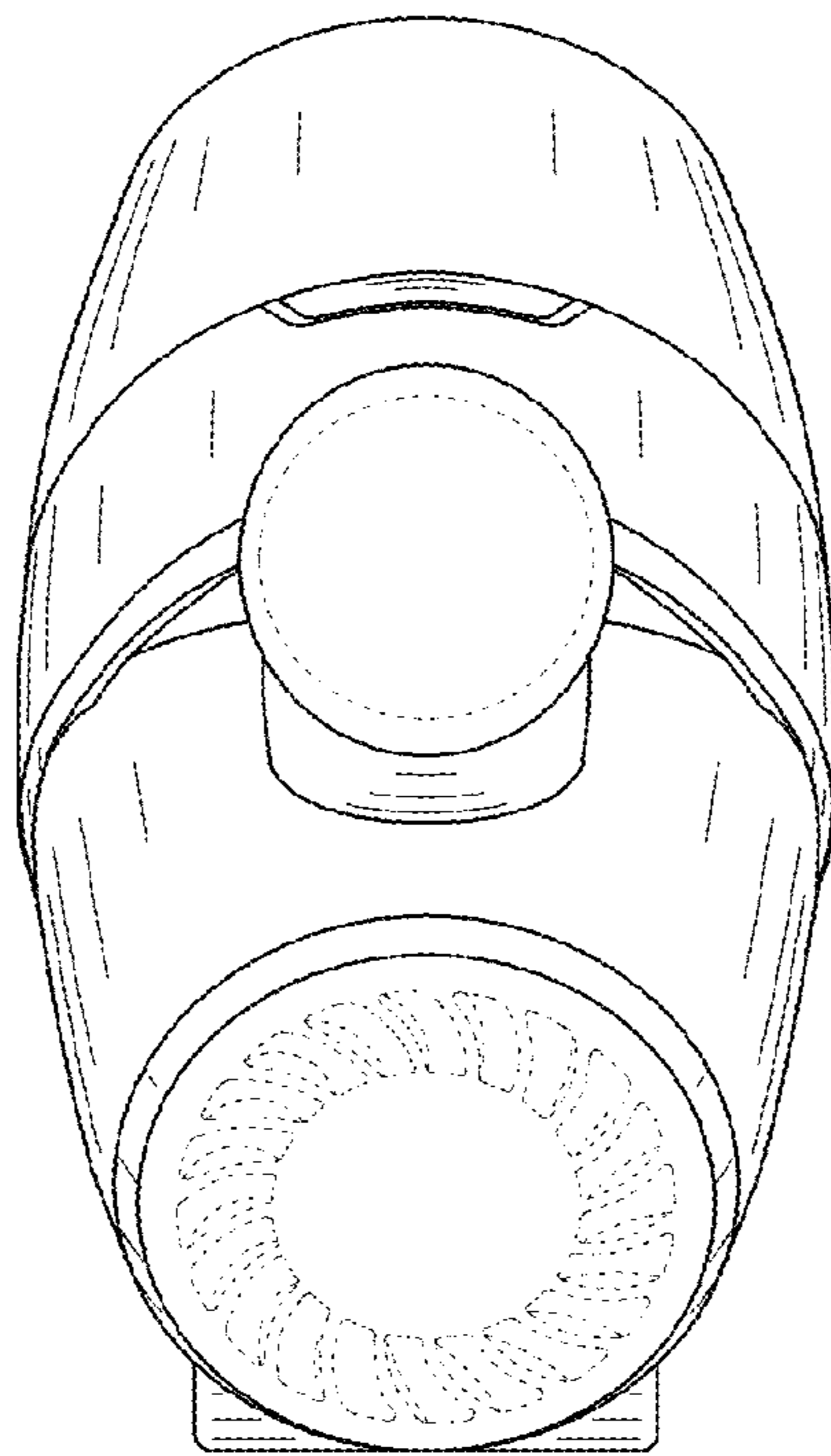


FIG. 8

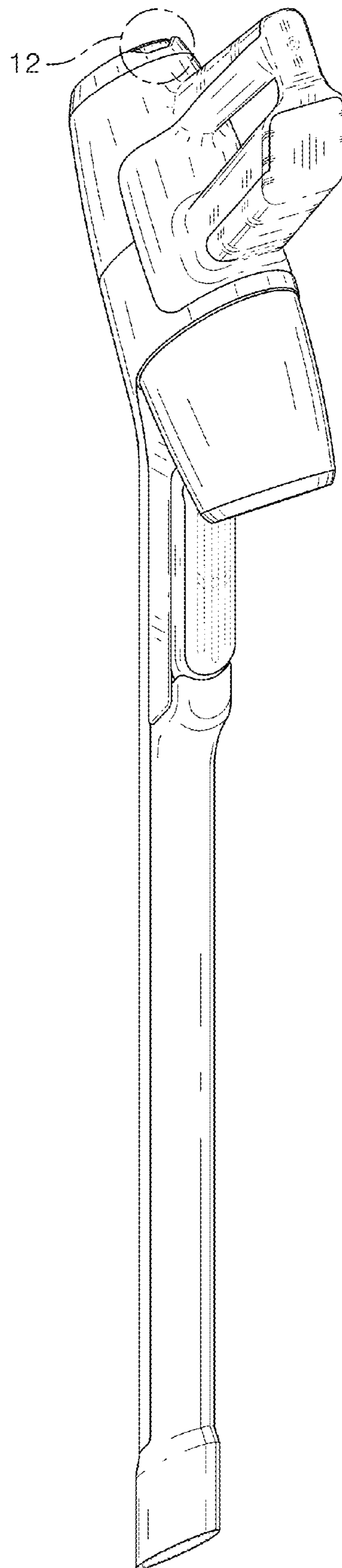


FIG. 9

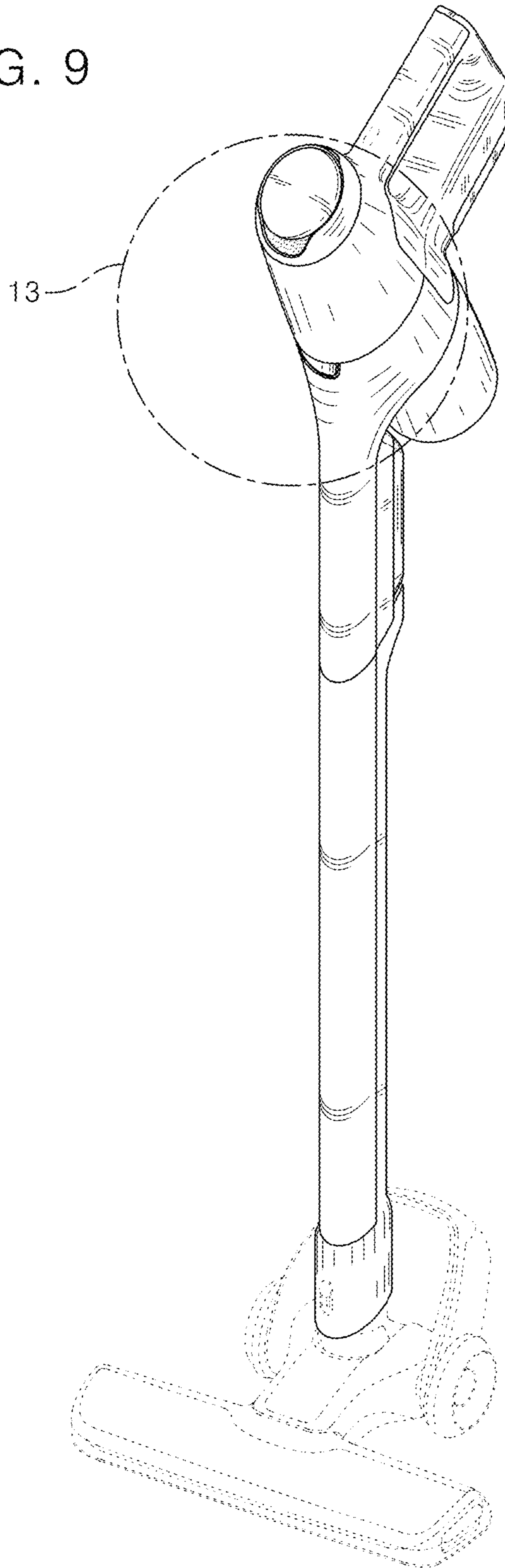


FIG. 10

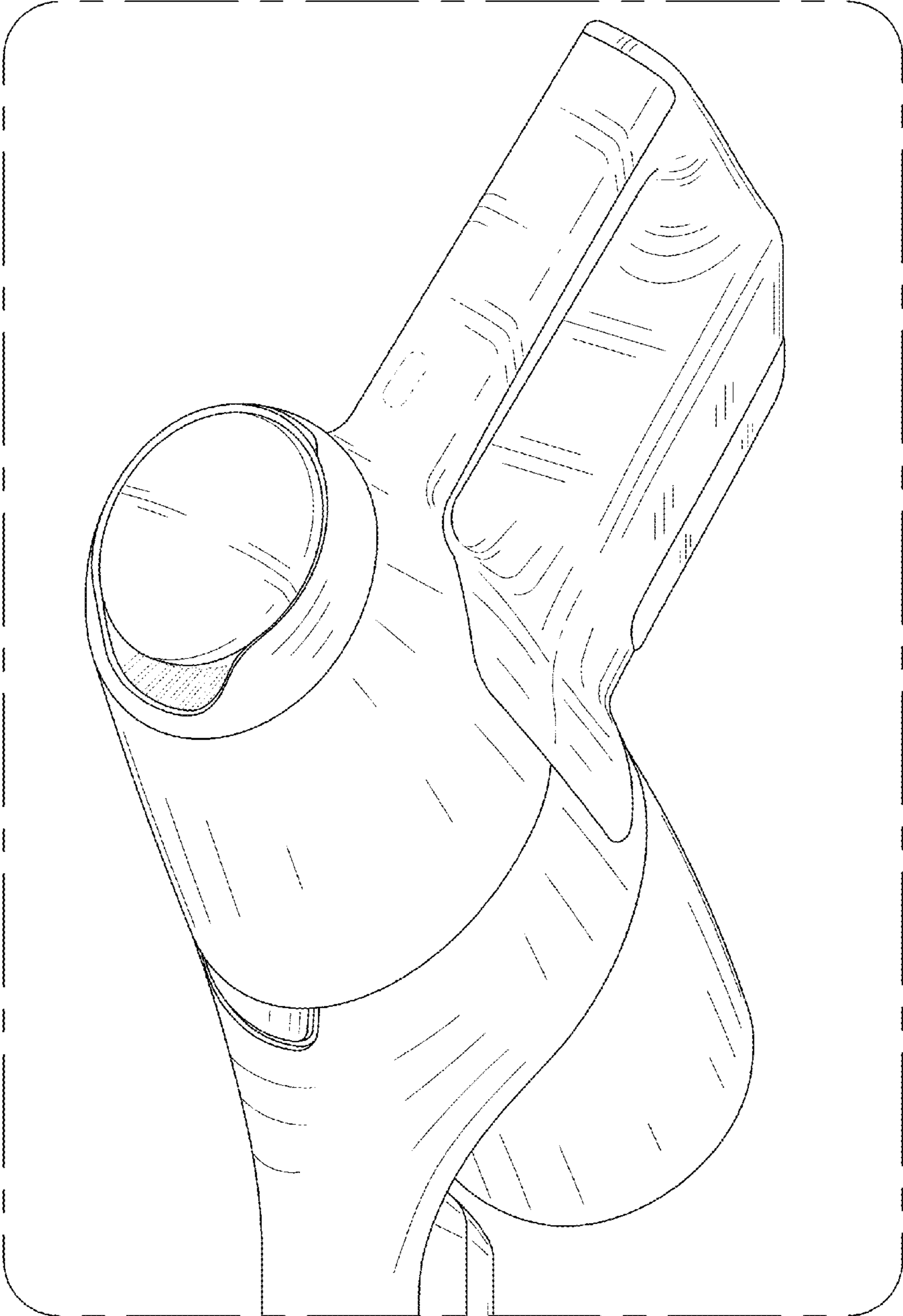


FIG. 11

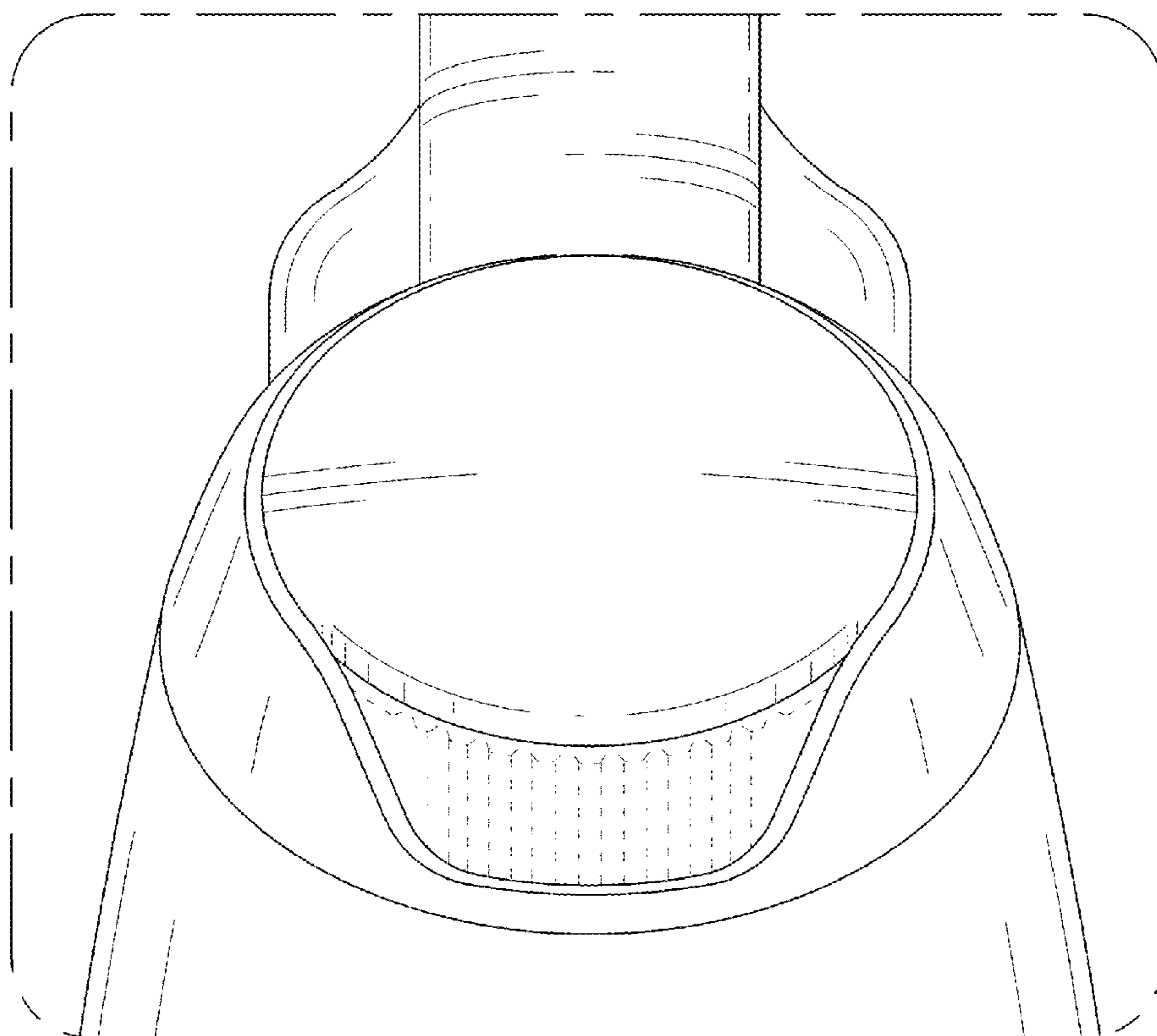


FIG. 12

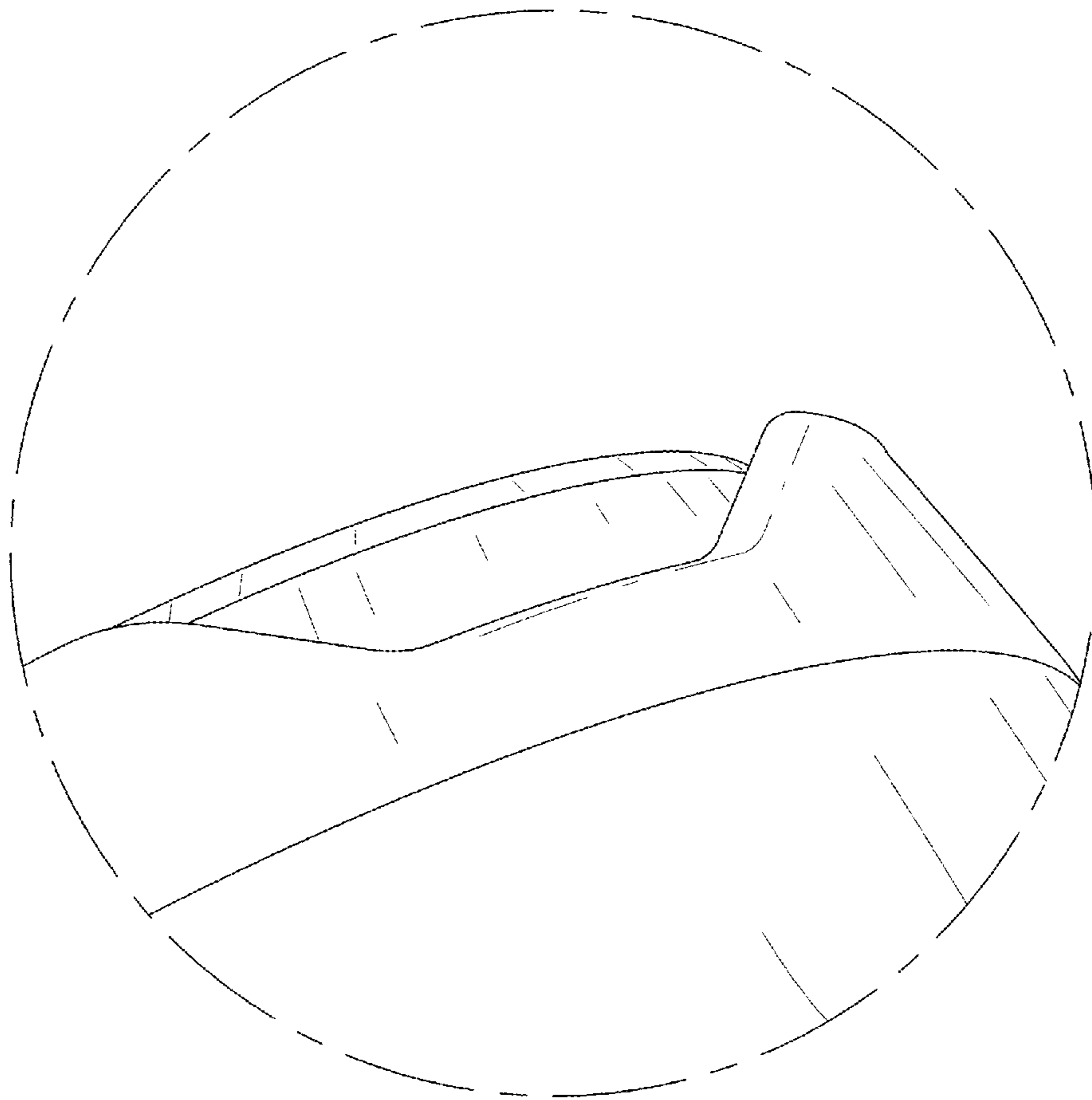


FIG. 13

