



US00D775771S

(12) **United States Design Patent**
Kim

(10) **Patent No.:** **US D775,771 S**
(45) **Date of Patent:** **** Jan. 3, 2017**

(54) **WASHING MACHINE**

(71) Applicant: **Samsung Electronics Co., Ltd.**,
Suwon-si (KR)

(72) Inventor: **Kangdo Kim**, Seoul (KR)

(73) Assignee: **SAMSUNG ELECTRONICS CO., LTD.** (KR)

(**) Term: **15 Years**

(21) Appl. No.: **29/539,968**

(22) Filed: **Sep. 18, 2015**

(30) **Foreign Application Priority Data**

Mar. 18, 2015 (KR) 30-2015-0013696

(51) **LOC (10) Cl.** **15-05**

(52) **U.S. Cl.**
USPC **D32/25**

(58) **Field of Classification Search**
USPC D32/1-6, 8, 10, 25, 28; 312/228, 236,
312/294; 68/3 R, 5 R, 235 R, 17, 196,
68/212; 34/108, 130-132, 595-597; 8/137

(Continued)

(56) **References Cited**

U.S. PATENT DOCUMENTS

D465,307 S * 11/2002 Du D32/6
D465,622 S * 11/2002 Wang D32/6
(Continued)

FOREIGN PATENT DOCUMENTS

BE WO 201412182 * 8/2014 D06F 39/005
CN 301291064 7/2010

OTHER PUBLICATIONS

TCL, Copyright 2009, pp. 1-3, Retrieved from the Internet Sep. 18, 2015<URL:http://www.missyuan.net/article/20070707/lw_15384_2.html>.

(Continued)

Primary Examiner — Rosemary K Tarcza

Assistant Examiner — Yolanda Robinson

(74) *Attorney, Agent, or Firm* — Cantor Colburn LLP

(57) **CLAIM**

The ornamental design for a washing machine, as shown and described.

DESCRIPTION

FIG. 1 is a perspective view of a washing machine, showing my new design;

FIG. 2 is a front view thereof;

FIG. 3 is a rear view thereof;

FIG. 4 is a side view thereof;

FIG. 5 is another side view thereof;

FIG. 6 is a top view thereof;

FIG. 7 is a bottom view thereof;

FIG. 8 is another perspective view thereof shown in FIG. 1, in which a portion of the washing machine between the dash-dot broken lines is removed;

FIG. 9 is a perspective view of the washing machine in an open position;

FIG. 10 is a front view thereof;

FIG. 11 is a rear view thereof;

FIG. 12 is a side view thereof;

FIG. 13 is another side view thereof;

FIG. 14 is a top view thereof;

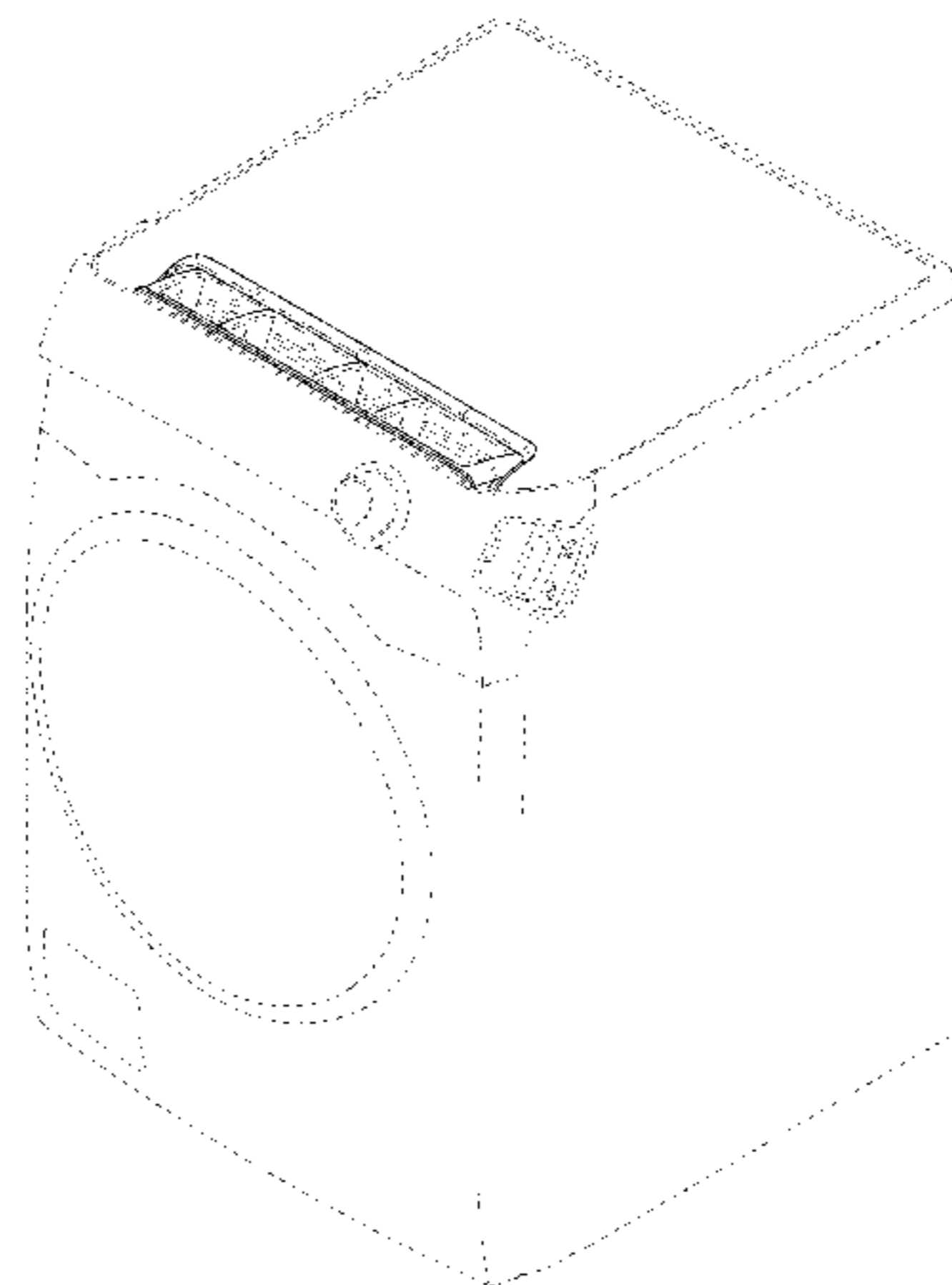
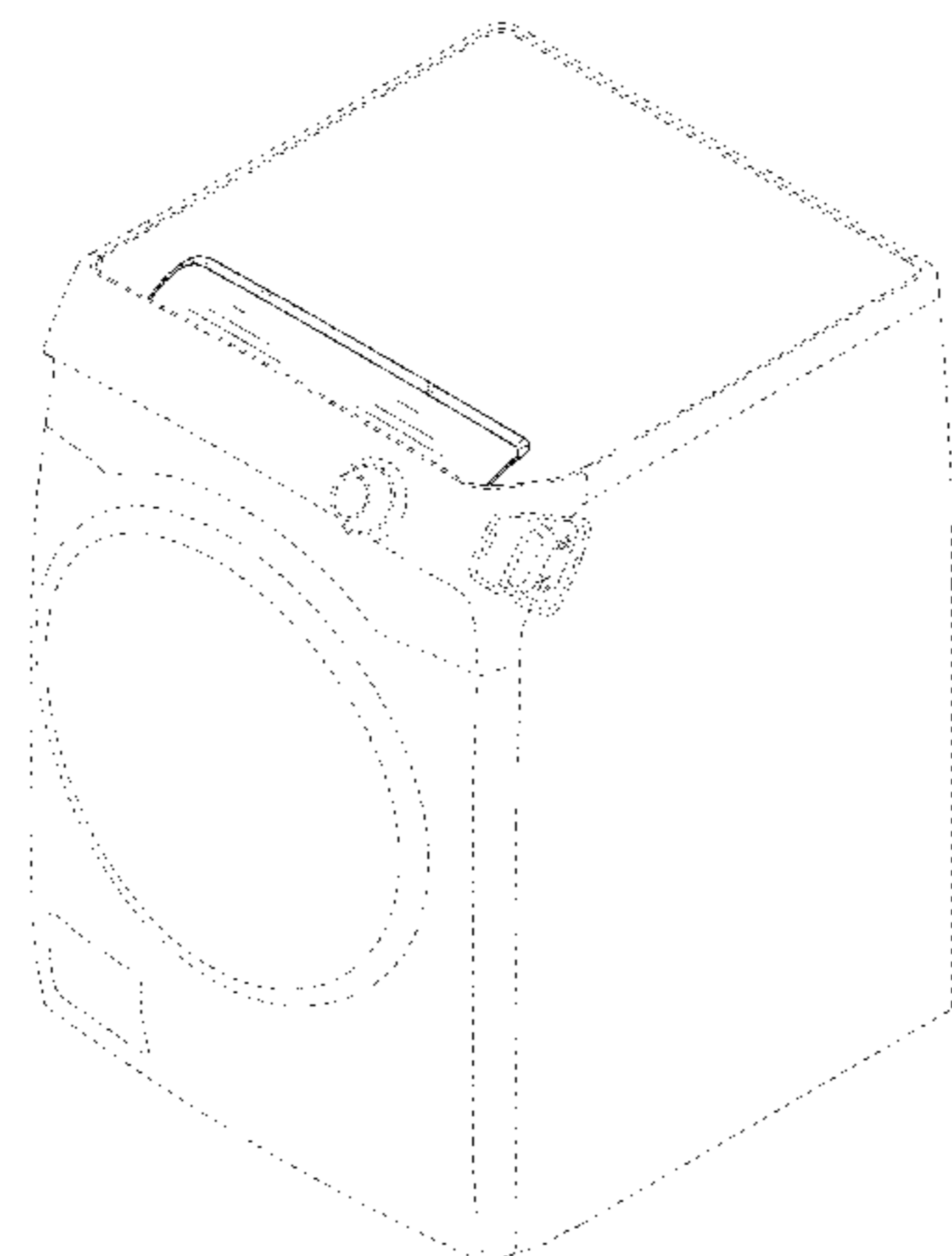
FIG. 15 is a bottom view thereof; and,

FIG. 16 is another perspective view thereof shown in FIG. 9, in which a portion of the washing machine between the dash-dot broken lines is removed.

The broken lines illustrating portions of the washing machine are environmental purposes only and form no part of the claimed design.

The jagged dash-dot broken lines indicate a removal boundary and form no part of the claimed design.

1 Claim, 16 Drawing Sheets



(58) **Field of Classification Search**

CPC D06F 39/005; D06F 39/007; D06F 39/12;
 D06F 39/22; D06F 37/22; D06F
 37/28; D06F 58/06; D06F 58/08

See application file for complete search history.

(56) **References Cited**

U.S. PATENT DOCUMENTS

D520,691 S *	5/2006	Schober	D32/28
D531,765 S *	11/2006	Schoene	D32/8
D580,113 S *	11/2008	Grutzke	D32/6
D642,752 S *	8/2011	Kim	D32/6
D642,753 S *	8/2011	Ha	D32/6
D732,763 S *	6/2015	Hwang	D32/6
D733,375 S *	6/2015	Uk	D32/28
D739,097 S *	9/2015	Qin	D32/6
D739,098 S *	9/2015	Qin	D32/6
D749,804 S *	2/2016	Ha	D32/6
D754,407 S *	4/2016	Chung	D32/25
D755,458 S *	5/2016	Jeon	D32/25
D759,909 S *	6/2016	Kim	D32/6
D759,916 S *	6/2016	Choi	D32/28

2007/0113594 A1*	5/2007	Ahn	D06F 39/005 68/3 R
2015/0252514 A1*	9/2015	Seo	D06F 39/028 68/17 R
2015/0345069 A1*	12/2015	Leibman	D06F 39/022 68/17 R
2015/0368847 A1*	12/2015	Del Pos	D06F 39/005 68/17 R
2015/0368848 A1*	12/2015	Del Pos	D06F 39/007 8/137
2016/0194814 A1*	7/2016	Kim	D06F 39/005 34/108

OTHER PUBLICATIONS

Tumblr360, Copyright 2014, pp. 1-6, Retrieved from the Internet Sep. 18, 2015<URL:<http://ajinkyabarve.com/tumblr-360--washing-machine.html>>.

Whirlpool eye in the bathroom, Date Posted Sep. 15, 2011, pp. 1-3, Retrieved from the Internet Sep. 18, 2015<URL: <http://peterpalsimon.blogspot.kr/2011/09/whirlpool-eye-in-bathroom.html>>.

* cited by examiner

FIG. 1

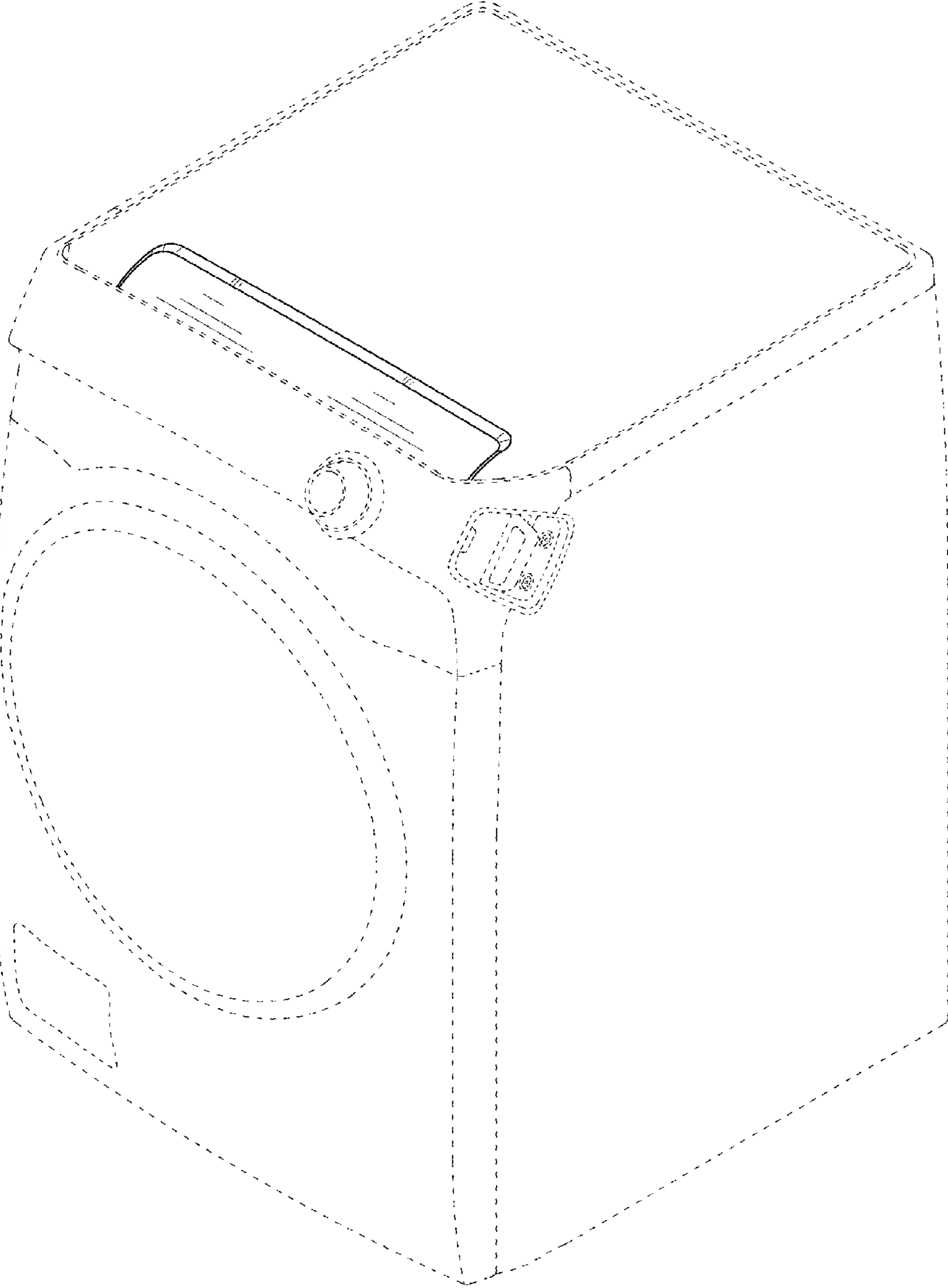


FIG. 2

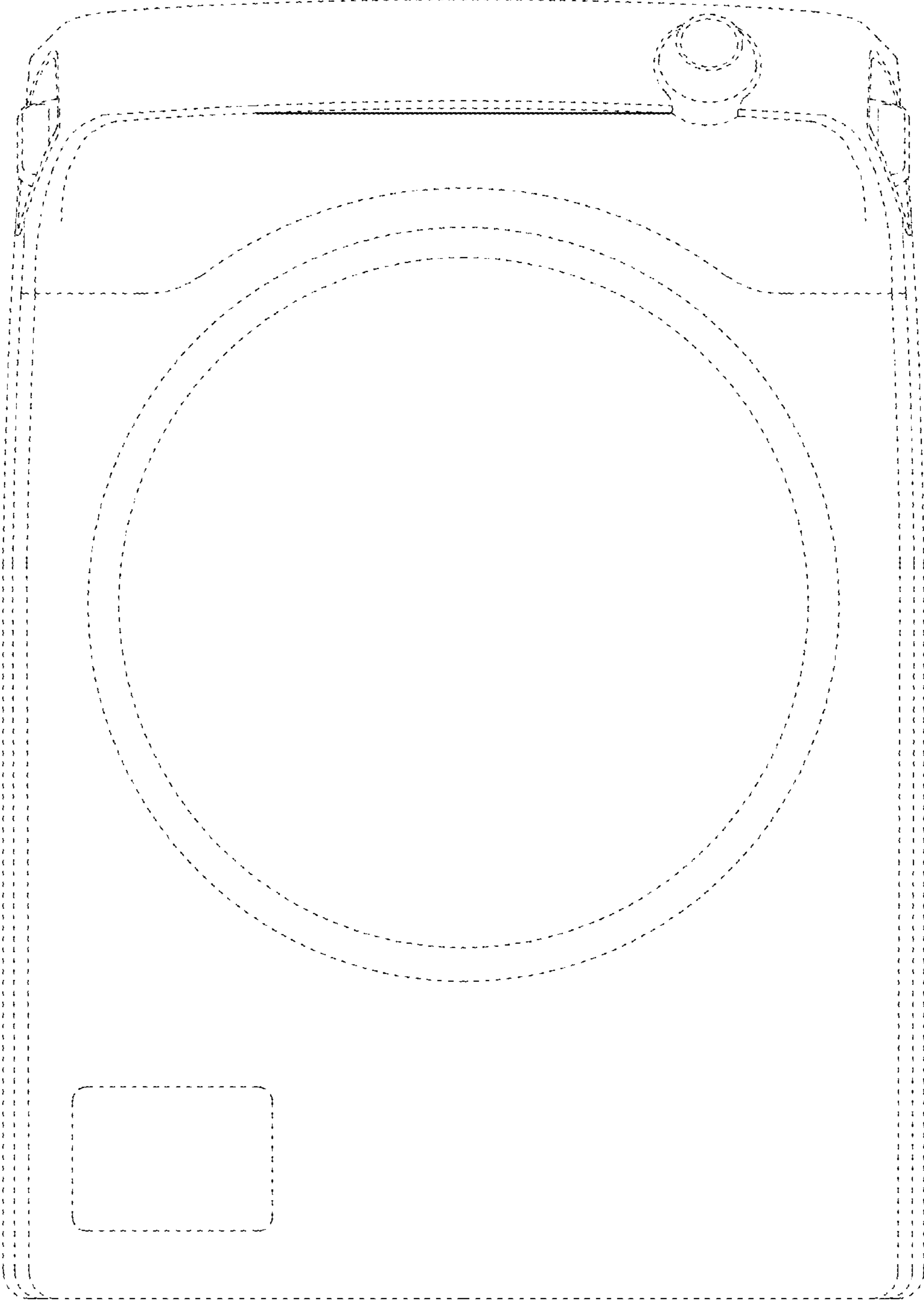


FIG. 3

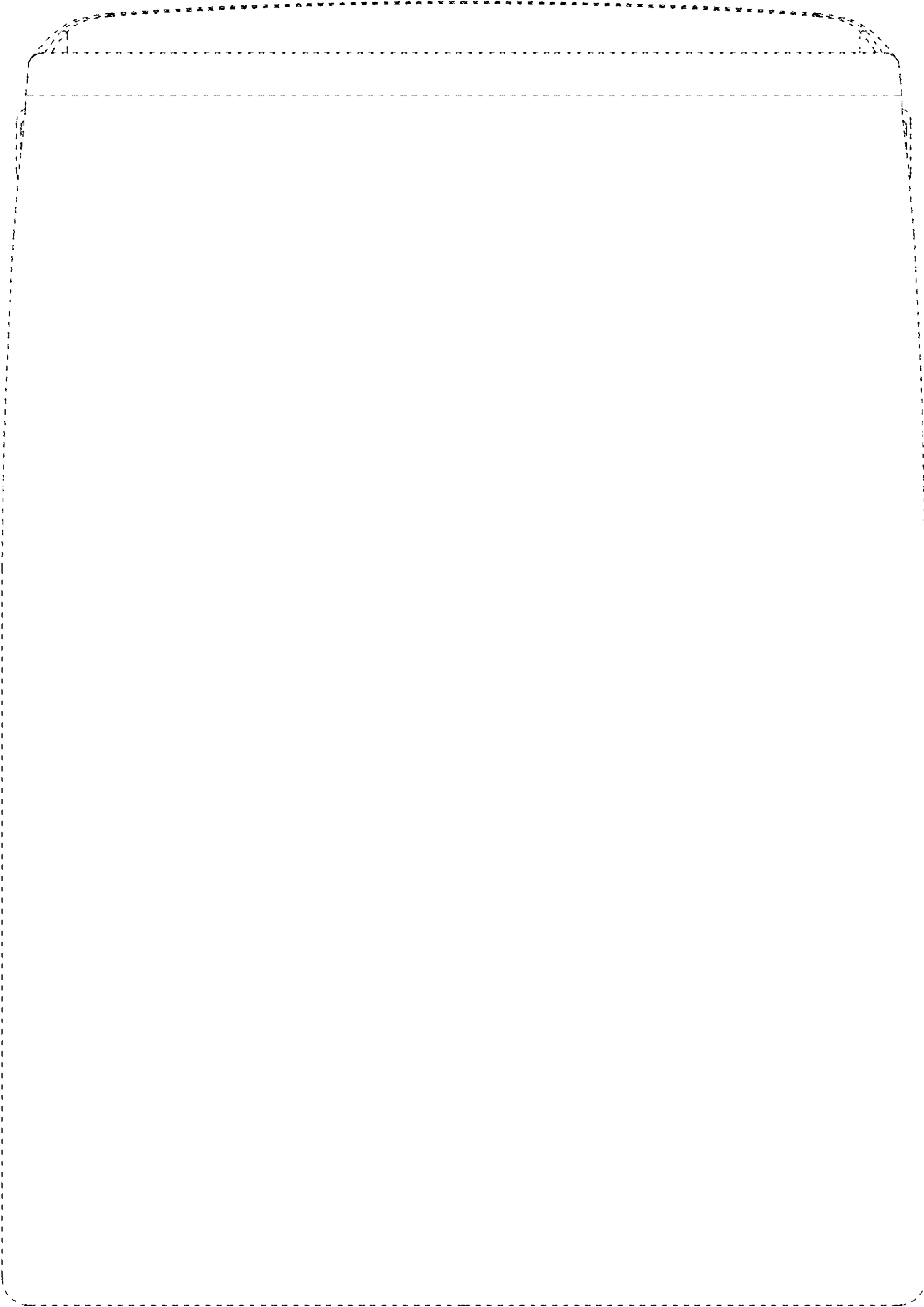


FIG. 4

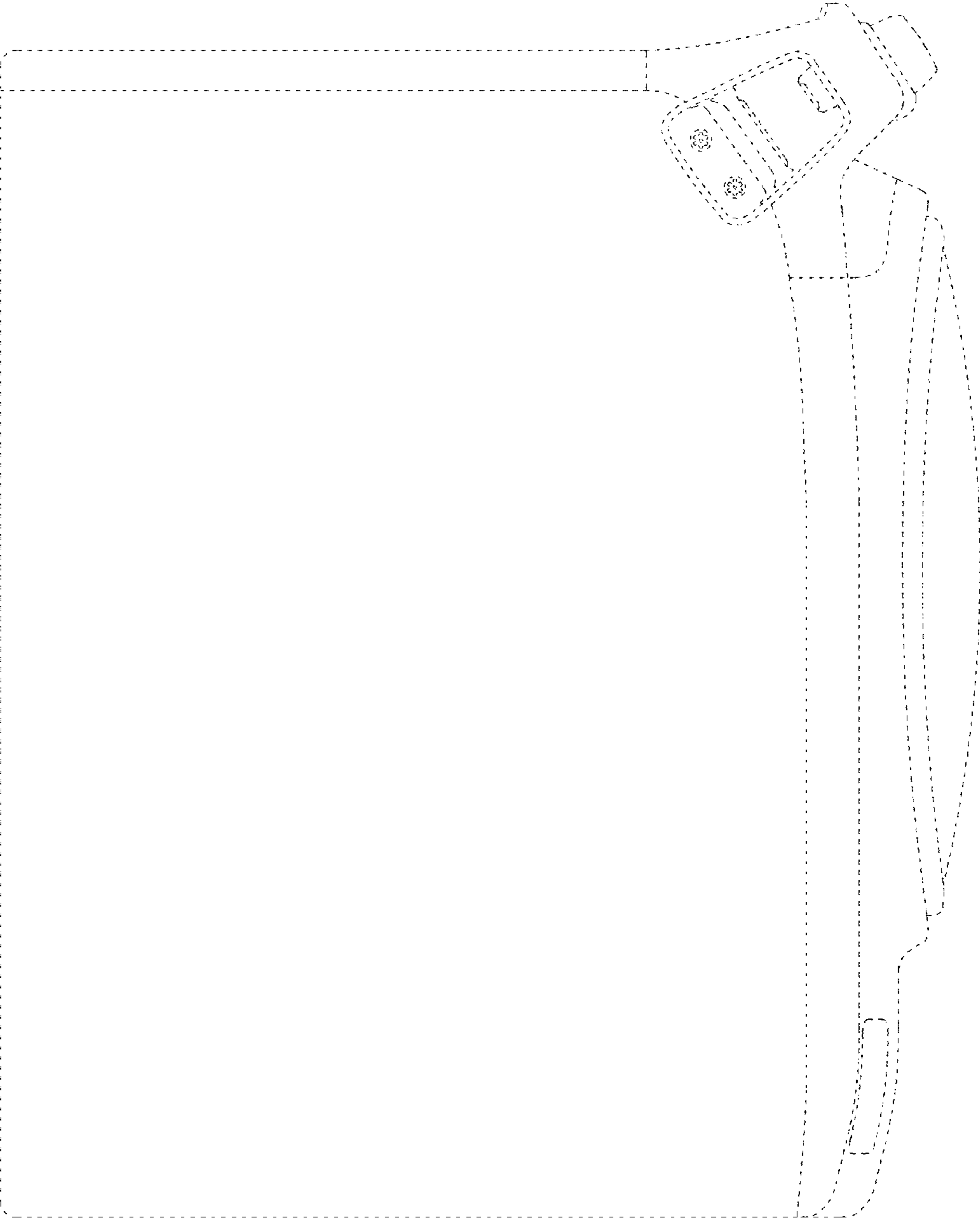


FIG. 5

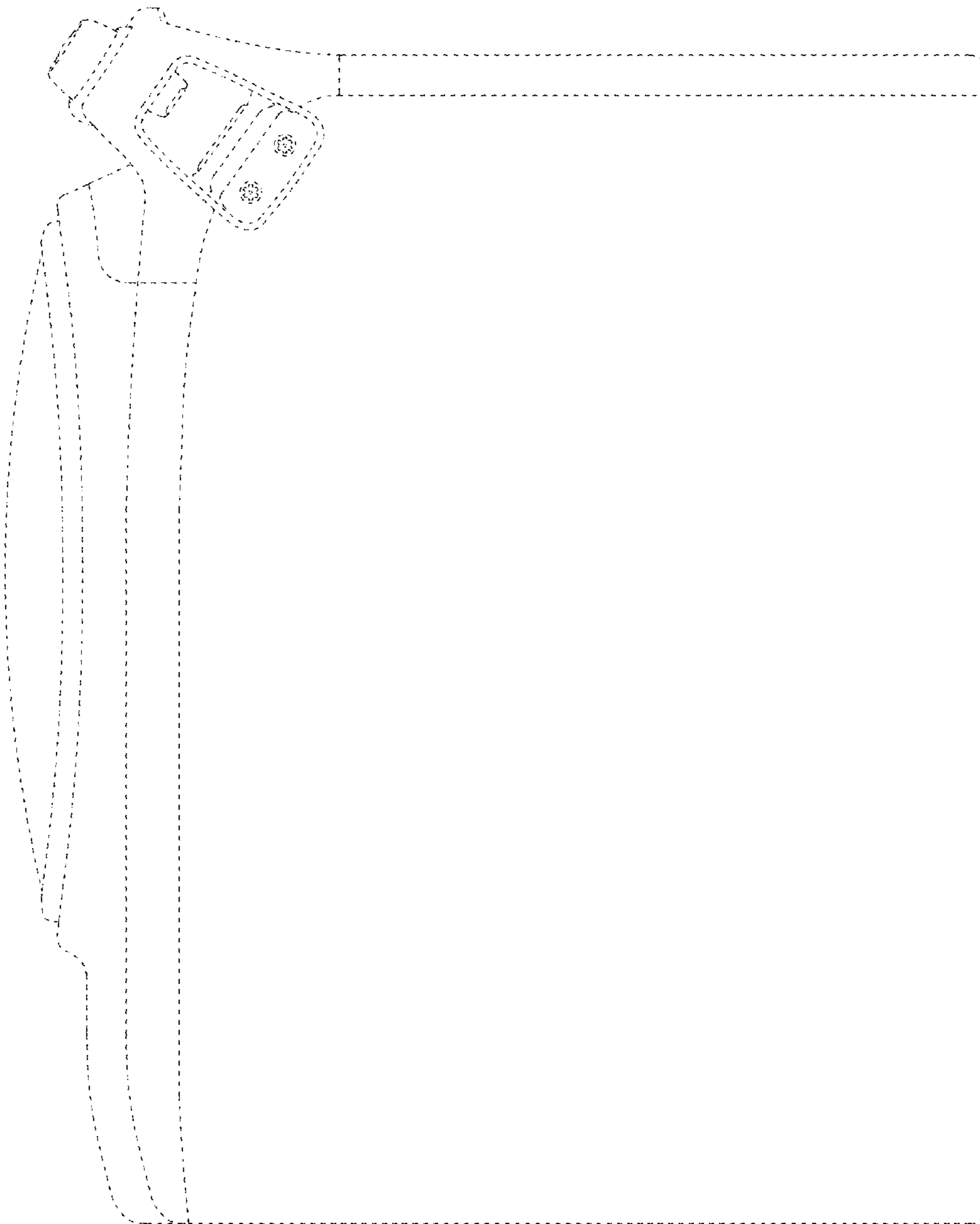


FIG. 6

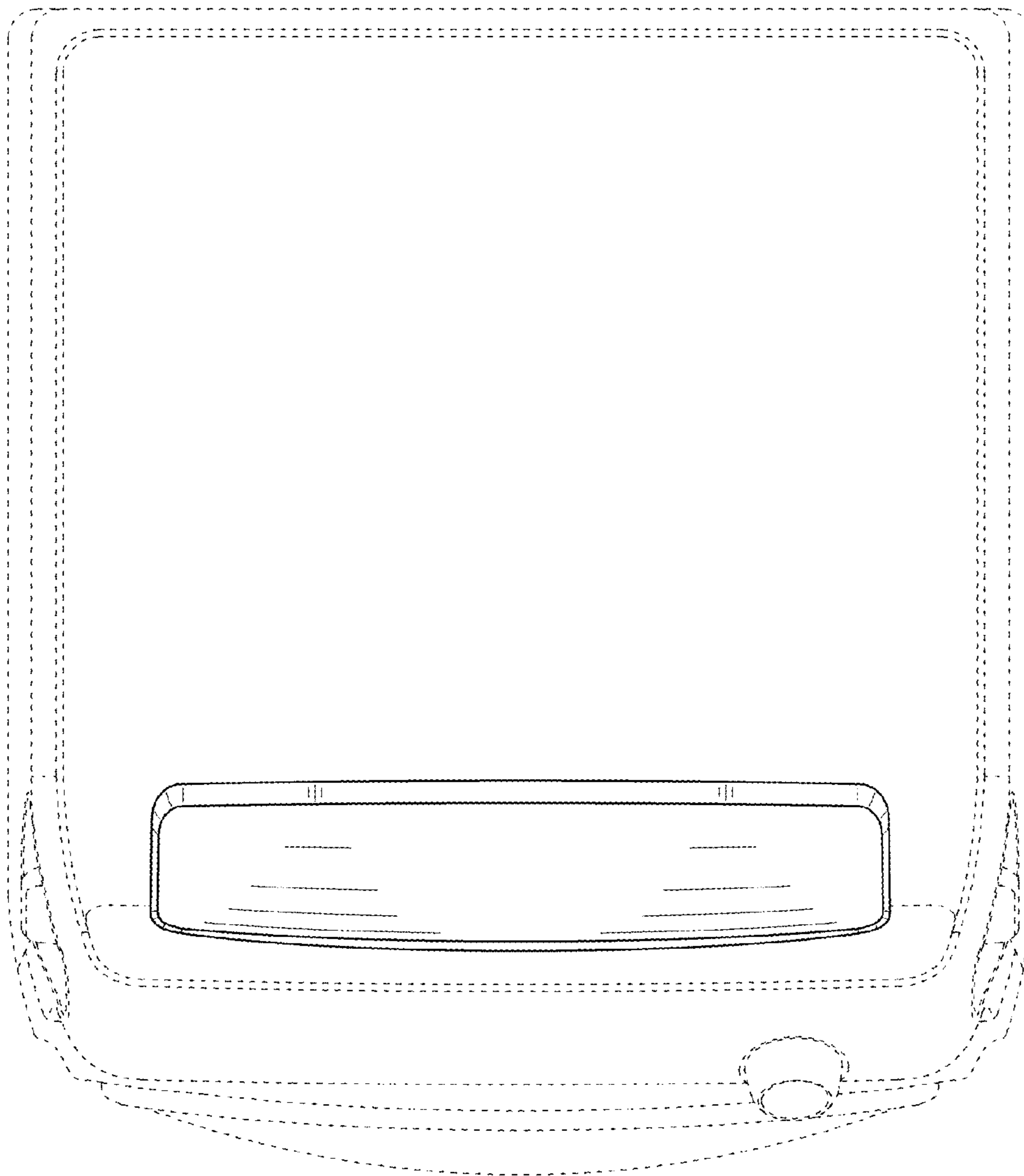


FIG. 7

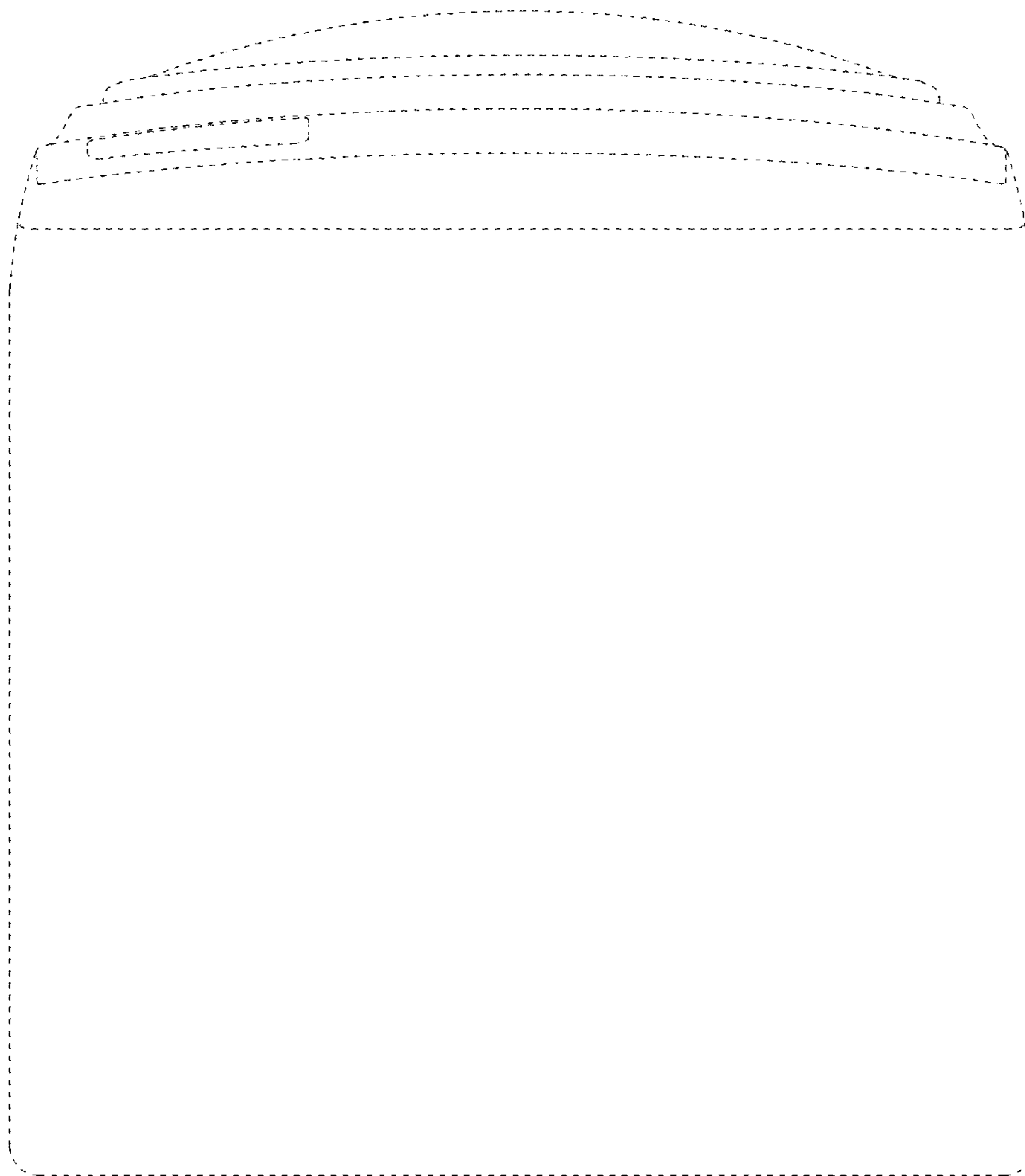


FIG. 8

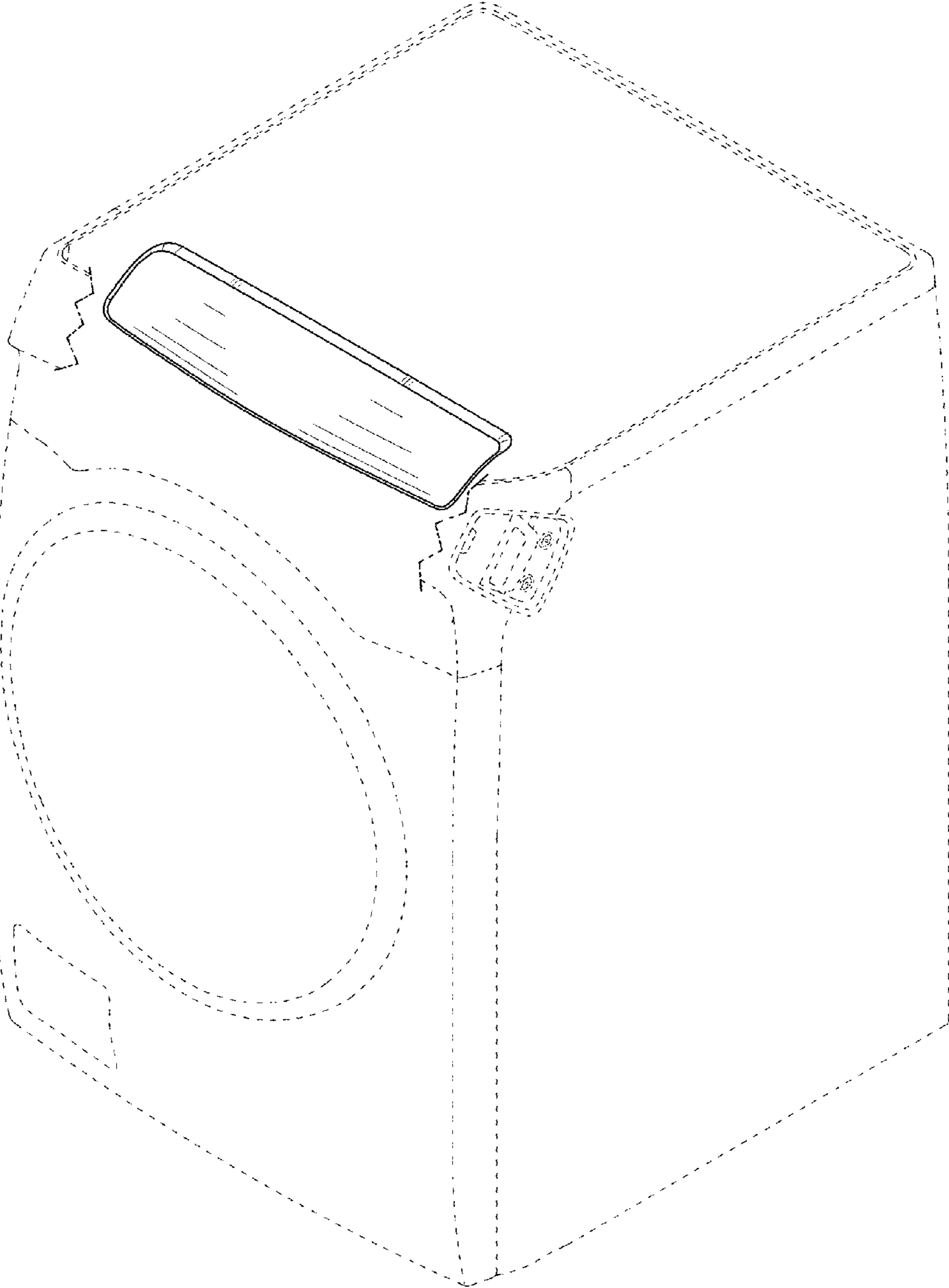


FIG. 9

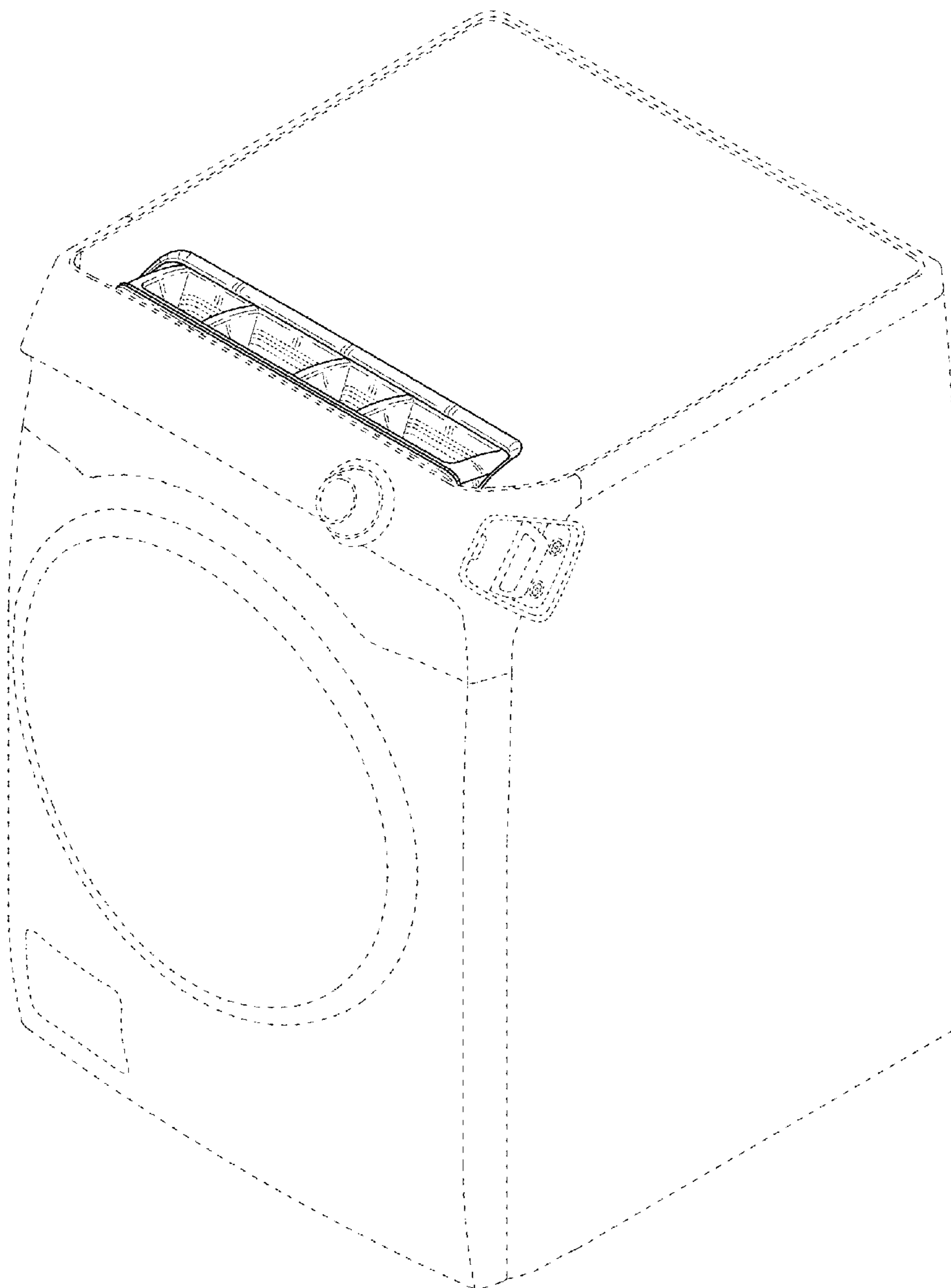


FIG. 10

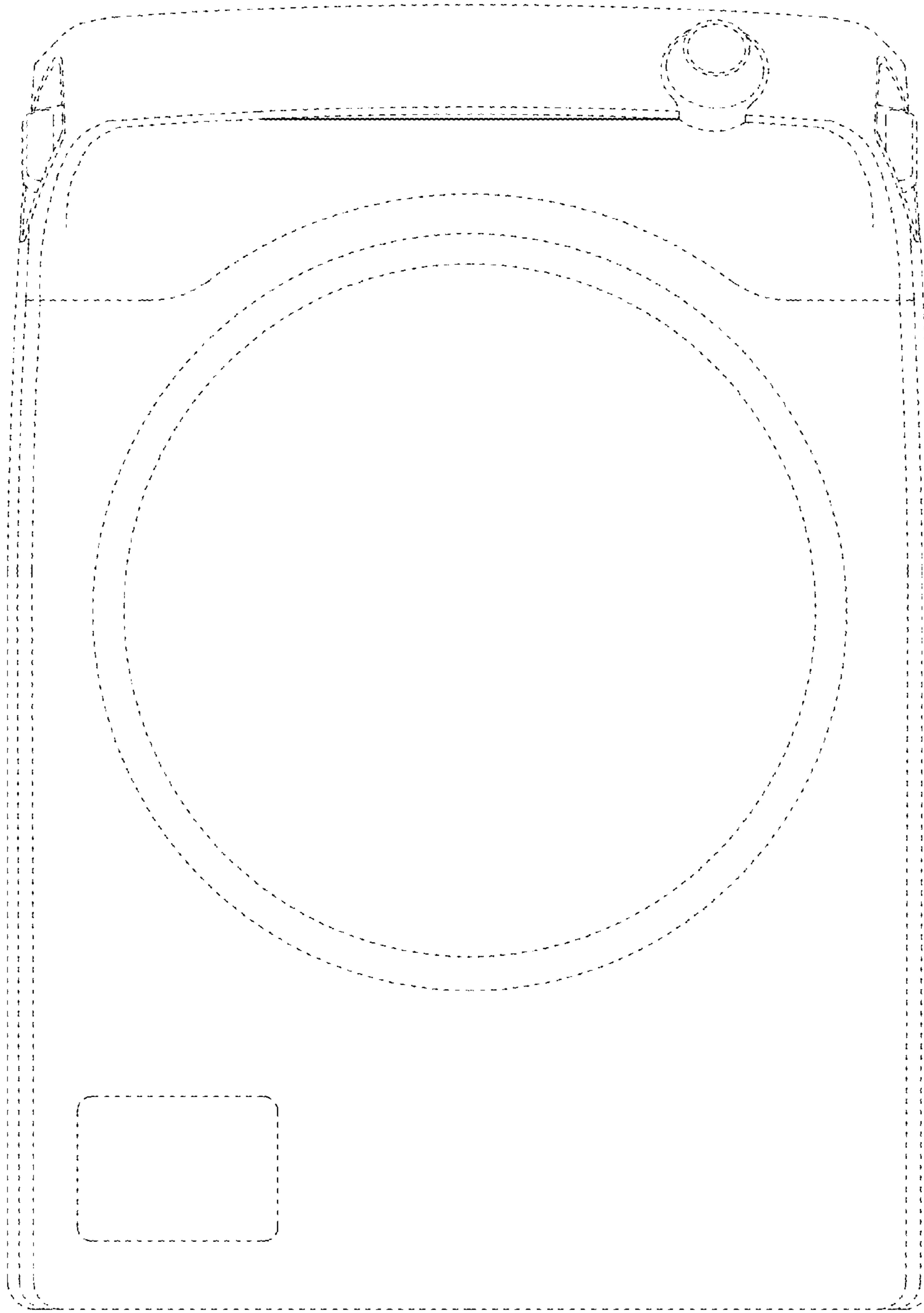


FIG. 11

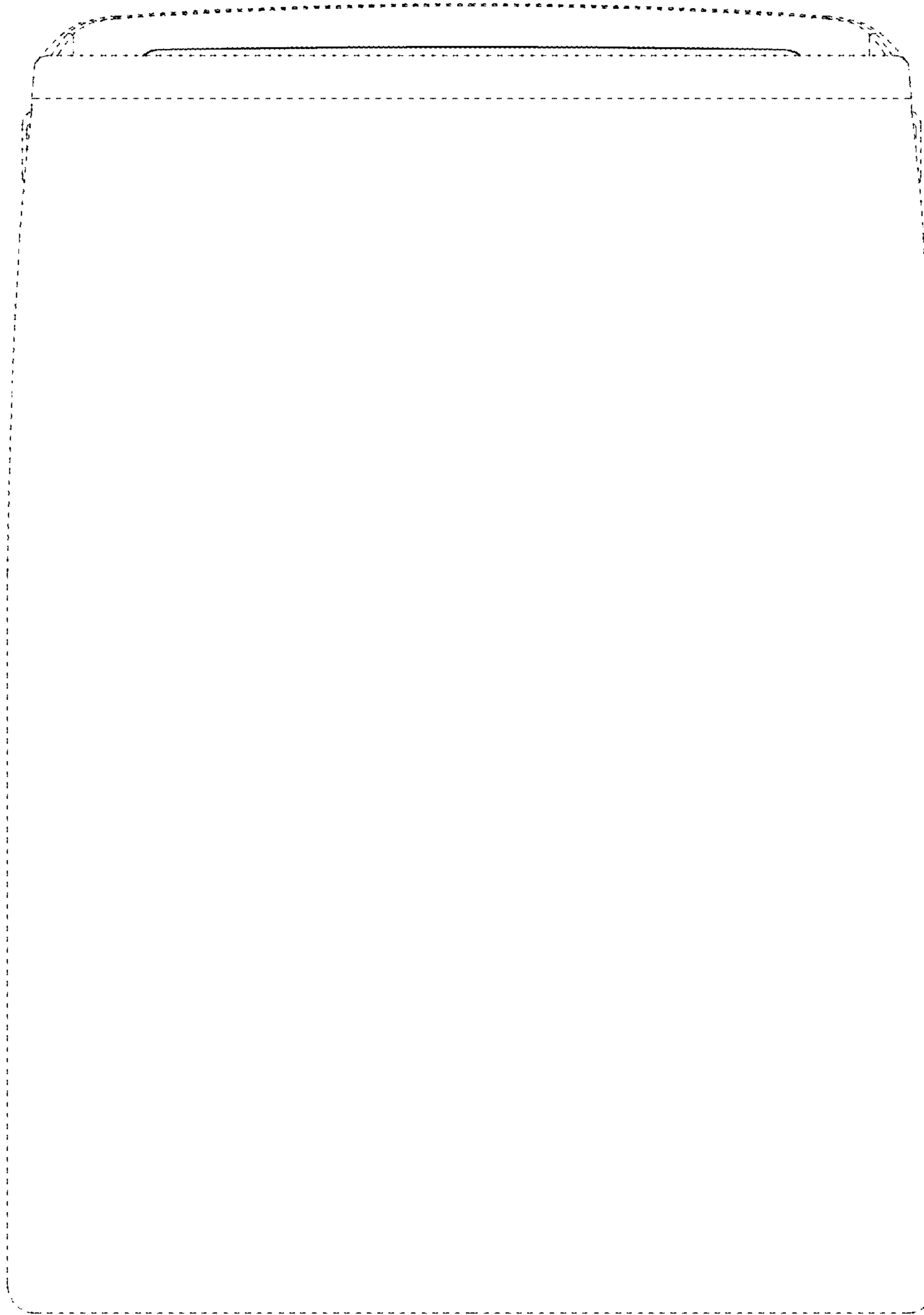


FIG. 12

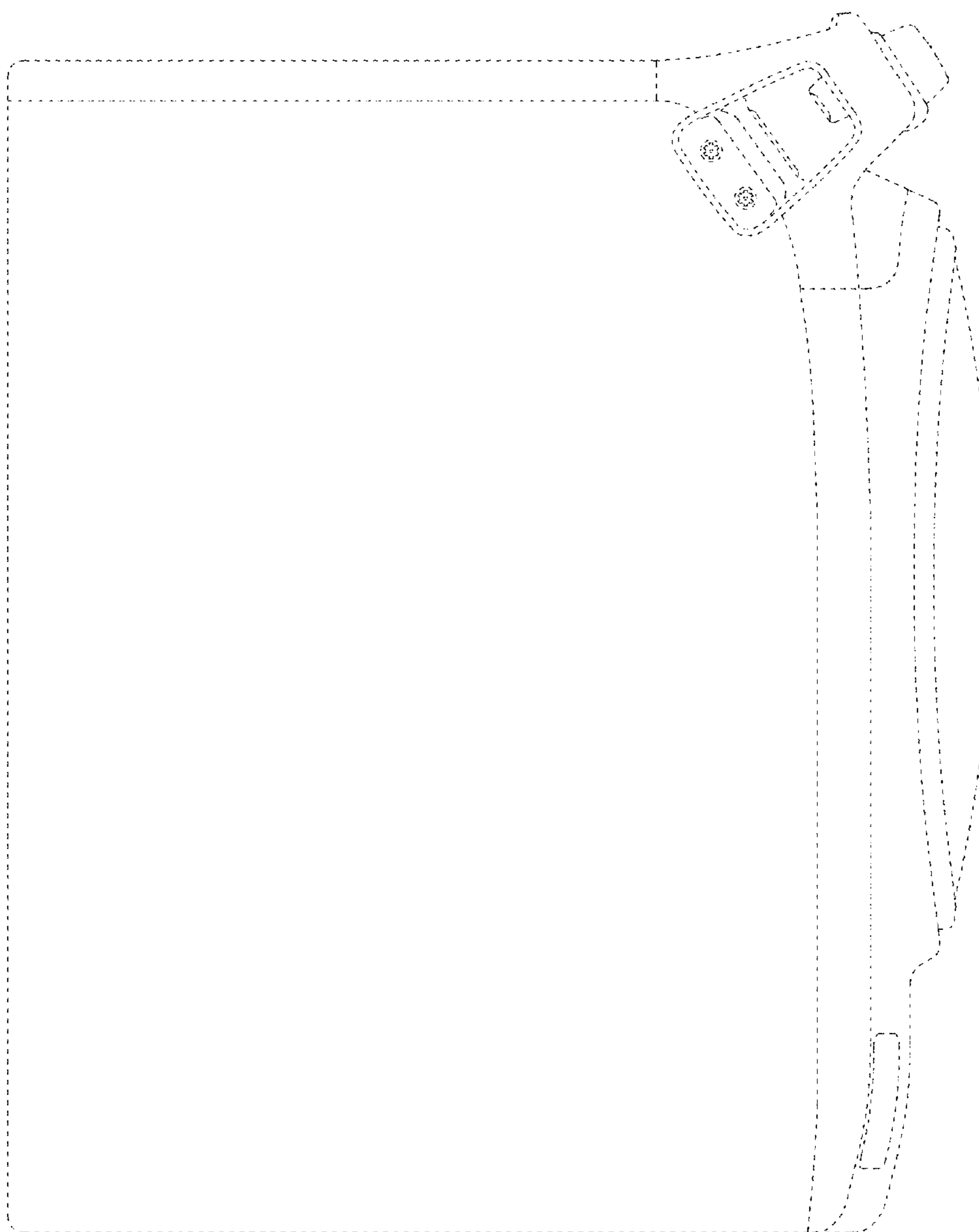


FIG. 13

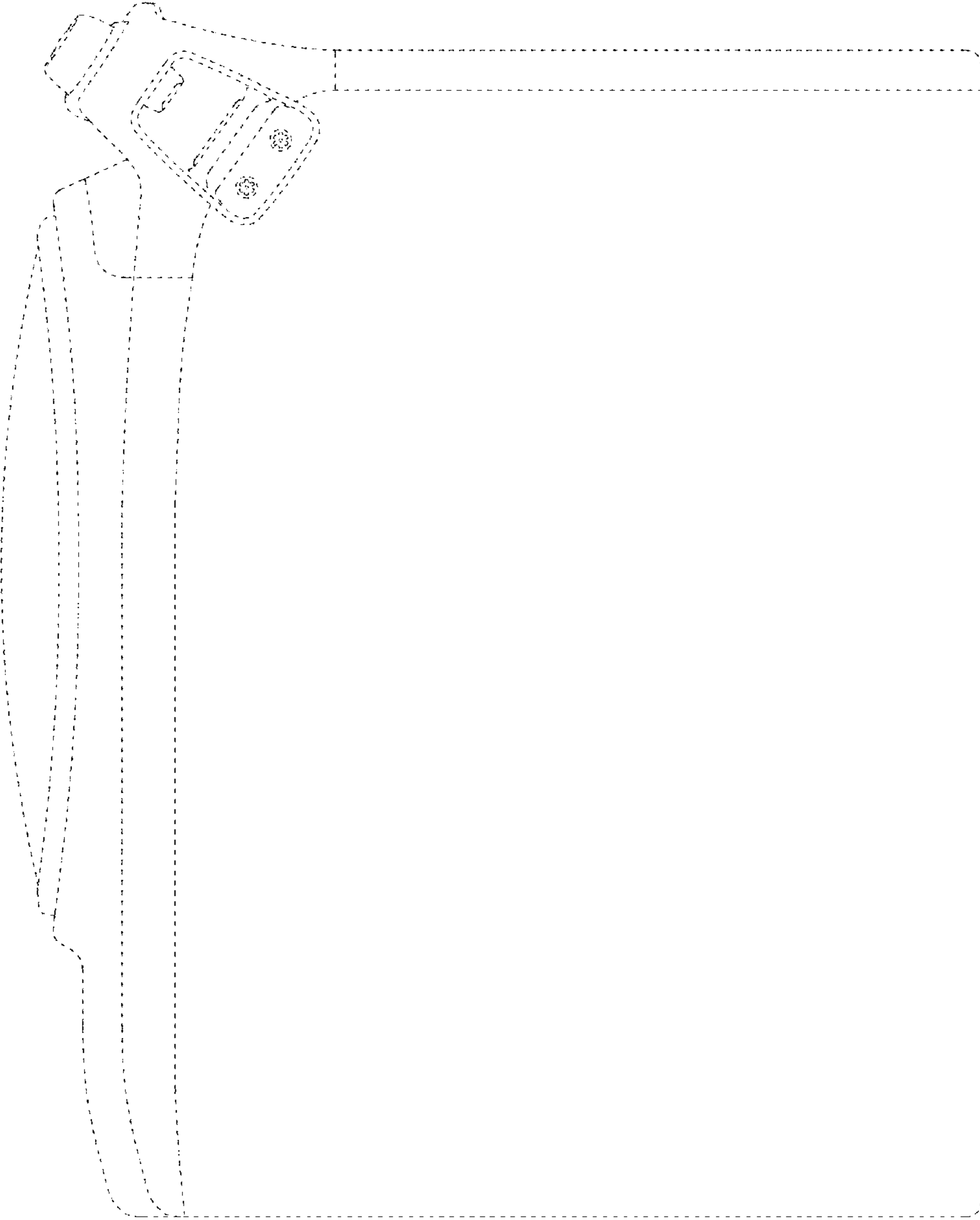


FIG. 14

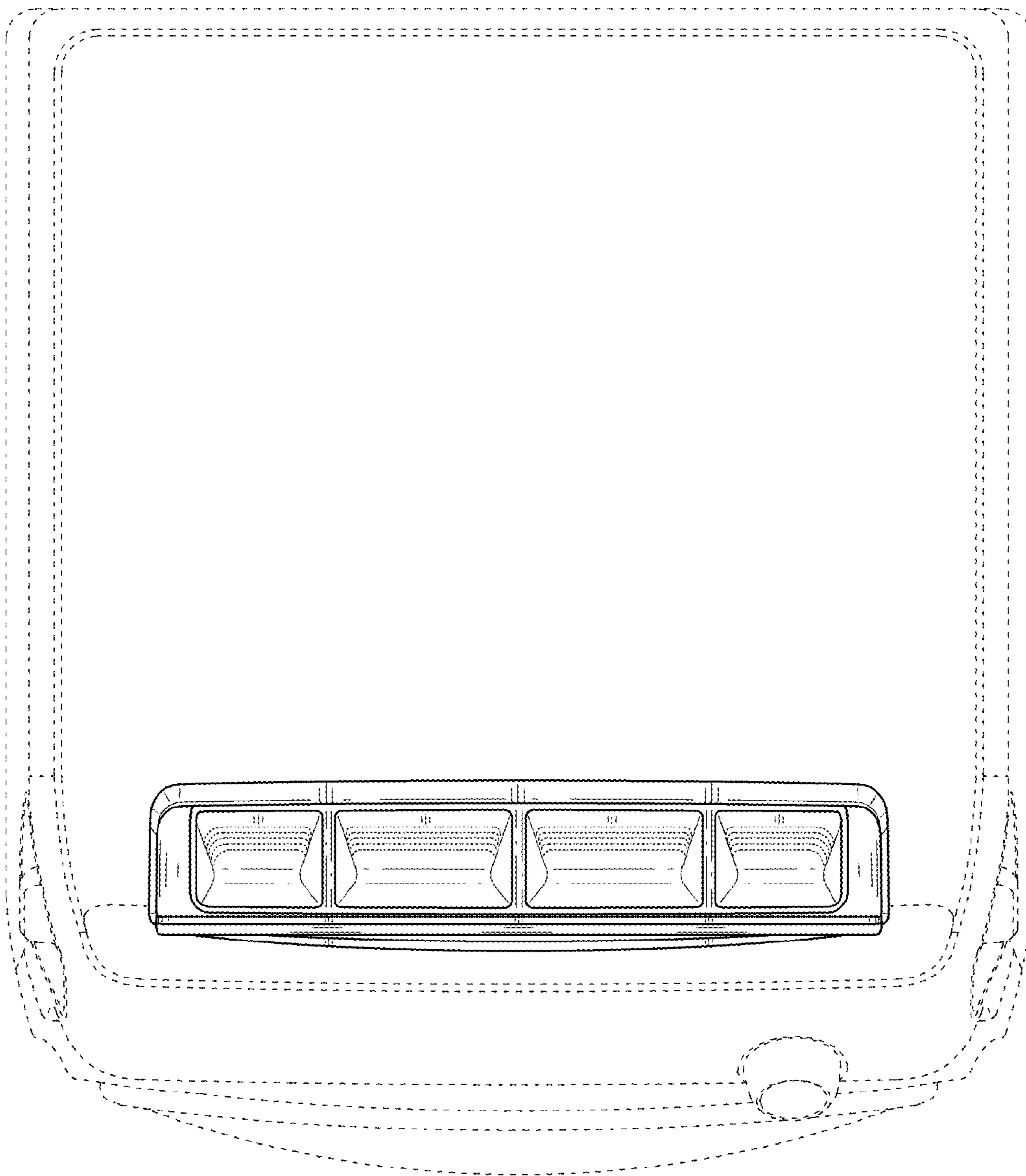


FIG. 15

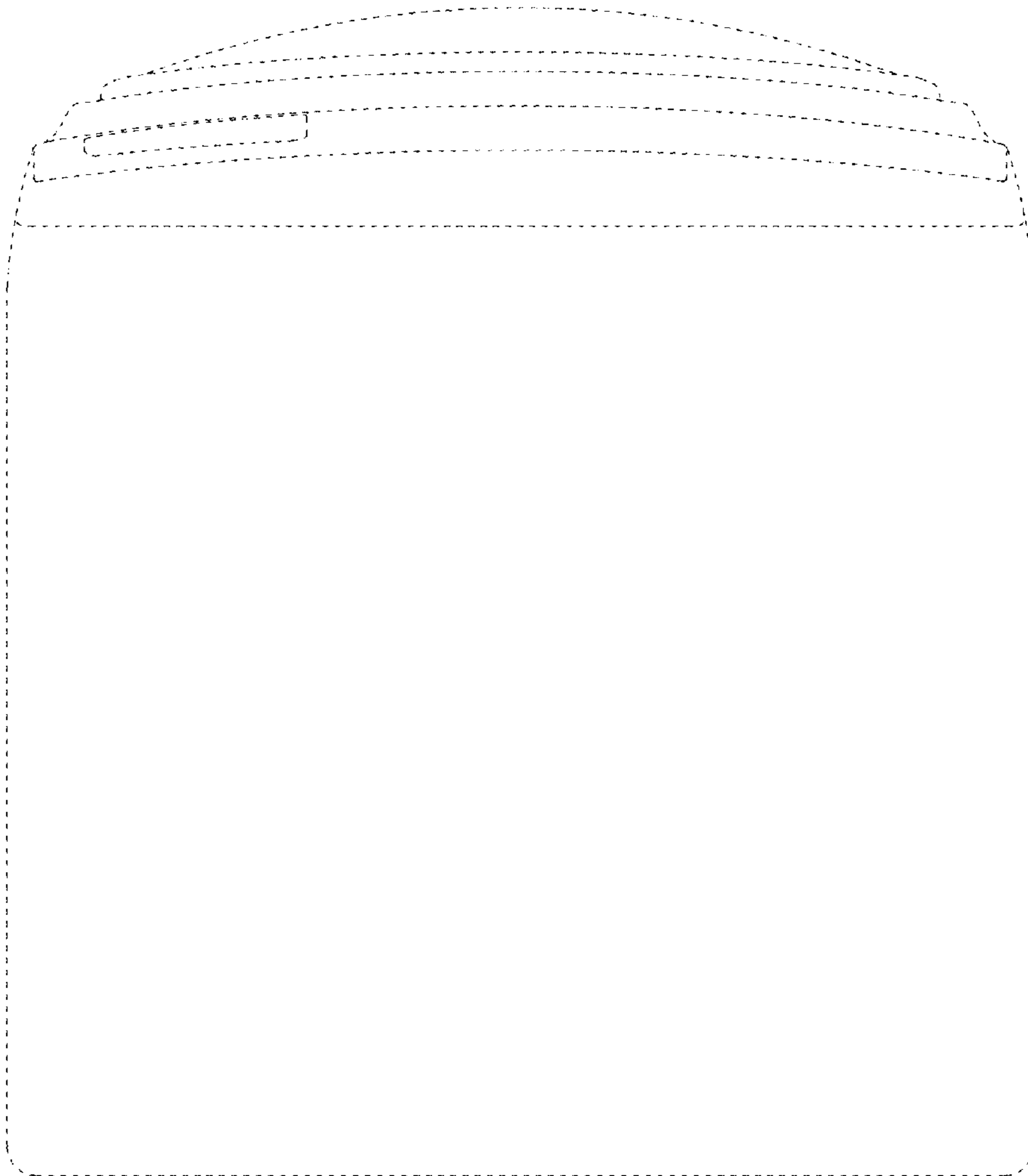


FIG. 16

