



US00D775770S

(12) **United States Design Patent** (10) **Patent No.:** **US D775,770 S**  
**Yoon et al.** (45) **Date of Patent:** **\*\* Jan. 3, 2017**

(54) **DISHWASHER**  
(71) Applicant: **Samsung Electronics Co., Ltd.**,  
Suwon-si, Gyeonggi-do (KR)  
(72) Inventors: **Ji-Yoon Yoon**, Seoul (KR); **Eun-Kyung Hong**, Anyang-si (KR); **Ji-Kyoung Kim**, Yongin-si (KR)  
(73) Assignee: **SAMSUNG ELECTRONICS CO., LTD.** (KR)  
(\*\*) Term: **14 Years**

D449,720 S \* 10/2001 Costello ..... D32/28  
D530,972 S \* 10/2006 Park ..... D7/340  
D541,577 S \* 5/2007 Kim ..... D7/340  
D577,470 S \* 9/2008 Park ..... D32/28  
D577,472 S \* 9/2008 Crookshanks ..... D32/28  
D591,464 S \* 4/2009 Green ..... D32/3  
D593,126 S \* 5/2009 Danton ..... D14/489  
D618,406 S \* 6/2010 Ott ..... D32/3  
D625,475 S \* 10/2010 Kim ..... D32/3  
D627,939 S \* 11/2010 Kim ..... D32/2  
D642,751 S \* 8/2011 Jenkins ..... D32/3  
D645,621 S \* 9/2011 Jenkins ..... D32/3  
D653,821 S \* 2/2012 Grobleben ..... D32/3  
D656,946 S \* 4/2012 Judy ..... D14/486  
D660,328 S \* 5/2012 Doberstein ..... D15/89

(Continued)

(21) Appl. No.: **29/509,840**  
(22) Filed: **Nov. 21, 2014**  
(30) **Foreign Application Priority Data**  
May 21, 2014 (KR) ..... 30-2014-0025049  
(51) **LOC (10) Cl.** ..... **15-05**  
(52) **U.S. Cl.**  
USPC ..... **D32/2; D32/28**  
(58) **Field of Classification Search**  
USPC ..... D32/2-3, 6, 28; D14/486, 489; D7/304,  
D7/339-441; D13/162, 177; D15/89  
CPC .... A47L 15/4285; A47L 15/42; A47L 15/481;  
A47L 15/507; B08B 3/024  
See application file for complete search history.

*Primary Examiner* — Michael A. Pratt  
*Assistant Examiner* — Michelle E Wilson  
(74) *Attorney, Agent, or Firm* — Cantor Colburn LLP

(57) **CLAIM**

The ornamental design for a dishwasher, as shown and described.

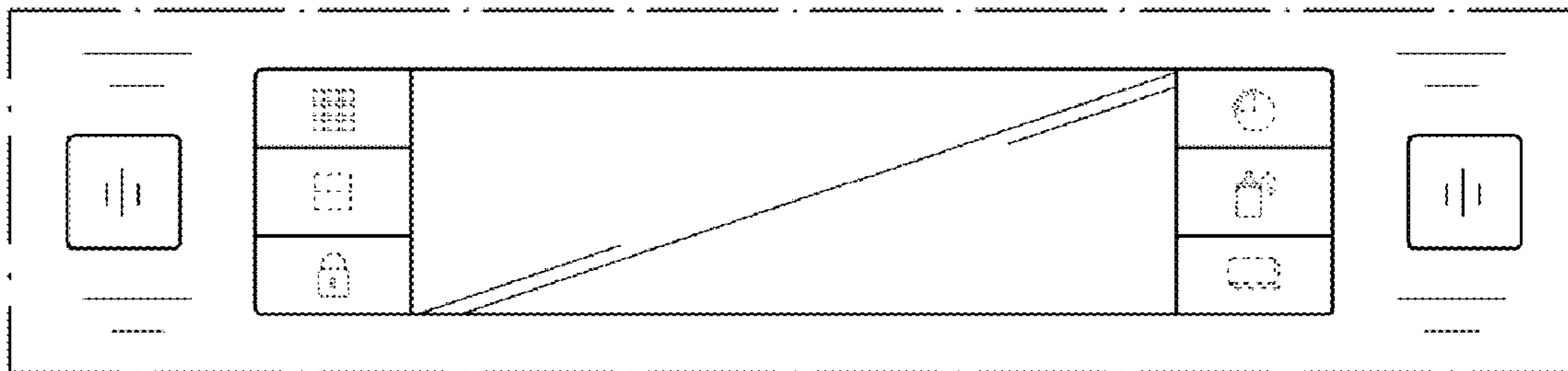
**DESCRIPTION**

FIG. 1 is a perspective view of a dishwasher, showing our new design;  
FIG. 2 is a front view thereof;  
FIG. 3 is a rear view thereof;  
FIG. 4 is a side view thereof;  
FIG. 5 is a another side view thereof;  
FIG. 6 is a top view thereof;  
FIG. 7 is a bottom view thereof; and,  
FIG. 8 is an enlarged view of the encircled portion of FIG. 2.

The broken lines are for environmental purpose only and form no part of the claimed design. The dot-dash broken lines define boundaries of the claimed design and form no part thereof.

**1 Claim, 8 Drawing Sheets**

(56) **References Cited**  
U.S. PATENT DOCUMENTS  
D235,606 S \* 7/1975 Petkwitz ..... 219/413  
D253,770 S \* 12/1979 Flynn ..... D32/3  
D320,489 S \* 10/1991 Marks ..... D32/3  
D369,514 S \* 5/1996 Baldwin ..... D7/406  
D373,860 S \* 9/1996 Manke ..... D32/3  
D385,069 S \* 10/1997 Hughes ..... D32/3  
D385,071 S \* 10/1997 Hughes ..... D32/3  
D424,257 S \* 5/2000 Umeda ..... D32/2



(56)

**References Cited**

U.S. PATENT DOCUMENTS

D667,838	S *	9/2012	Magee	.....	D14/486
D683,748	S *	6/2013	Chutani	.....	D14/487
D689,069	S *	9/2013	Edwards	.....	D14/486
D689,088	S *	9/2013	Yang	.....	D14/489
D689,515	S *	9/2013	Yang	.....	D14/489
D693,069	S *	11/2013	Grobleben	.....	D32/3
D701,359	S *	3/2014	Eng	.....	D32/3
D702,407	S *	4/2014	Geyer	.....	D32/28
D702,899	S *	4/2014	Eng	.....	D32/3
D705,506	S *	5/2014	Kwack	.....	D32/28
D705,507	S *	5/2014	Cho	.....	D32/28
D705,605	S *	5/2014	Kwack	.....	D7/406
D706,821	S *	6/2014	Park	.....	D14/489
D712,926	S *	9/2014	Meegan	.....	D14/489
D721,918	S *	2/2015	Glassman	.....	D7/406
D733,370	S *	6/2015	Roberson	.....	D32/3
D733,980	S *	7/2015	Grobleben	.....	D32/3
D739,618	S *	9/2015	Shoemaker	.....	D32/3
D744,176	S *	11/2015	Roberson	.....	D32/3
D745,751	S *	12/2015	Roberson	.....	D32/3
D745,753	S *	12/2015	Roberson	.....	D32/3
2008/0072896	A1 *	3/2008	Setzer	.....	A61M 16/00 128/200.24

\* cited by examiner

FIG. 1

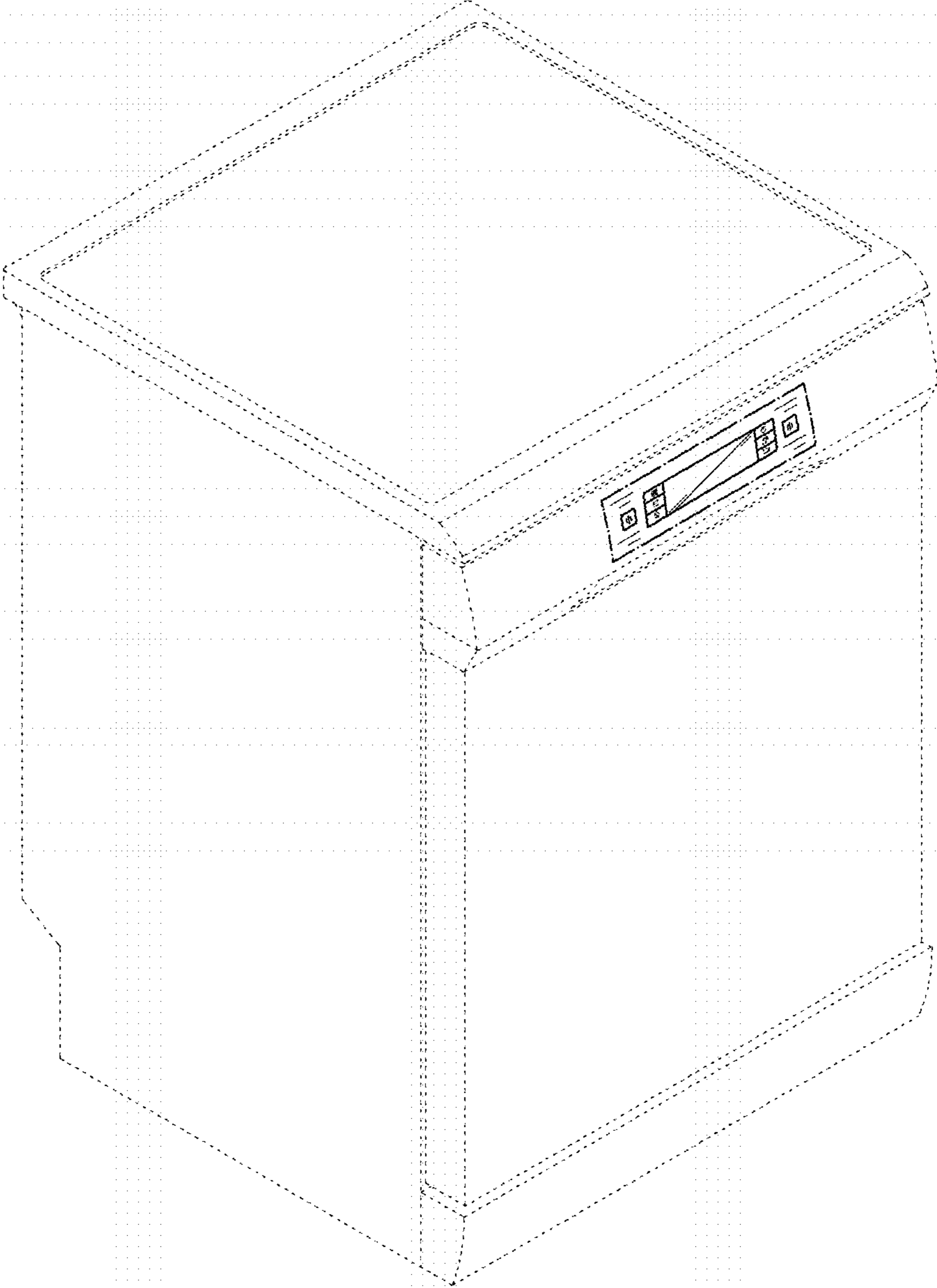


FIG. 2

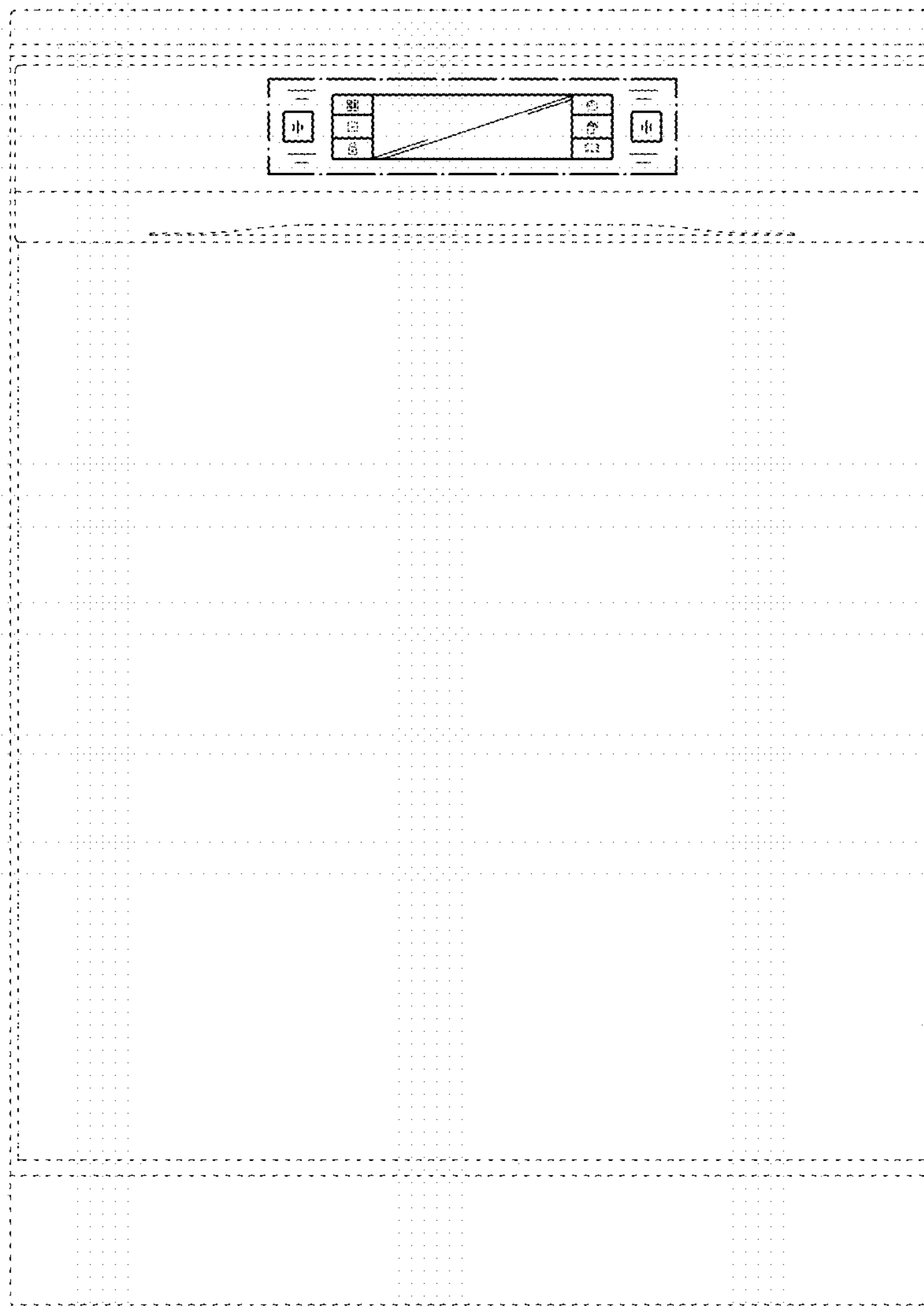


FIG. 3

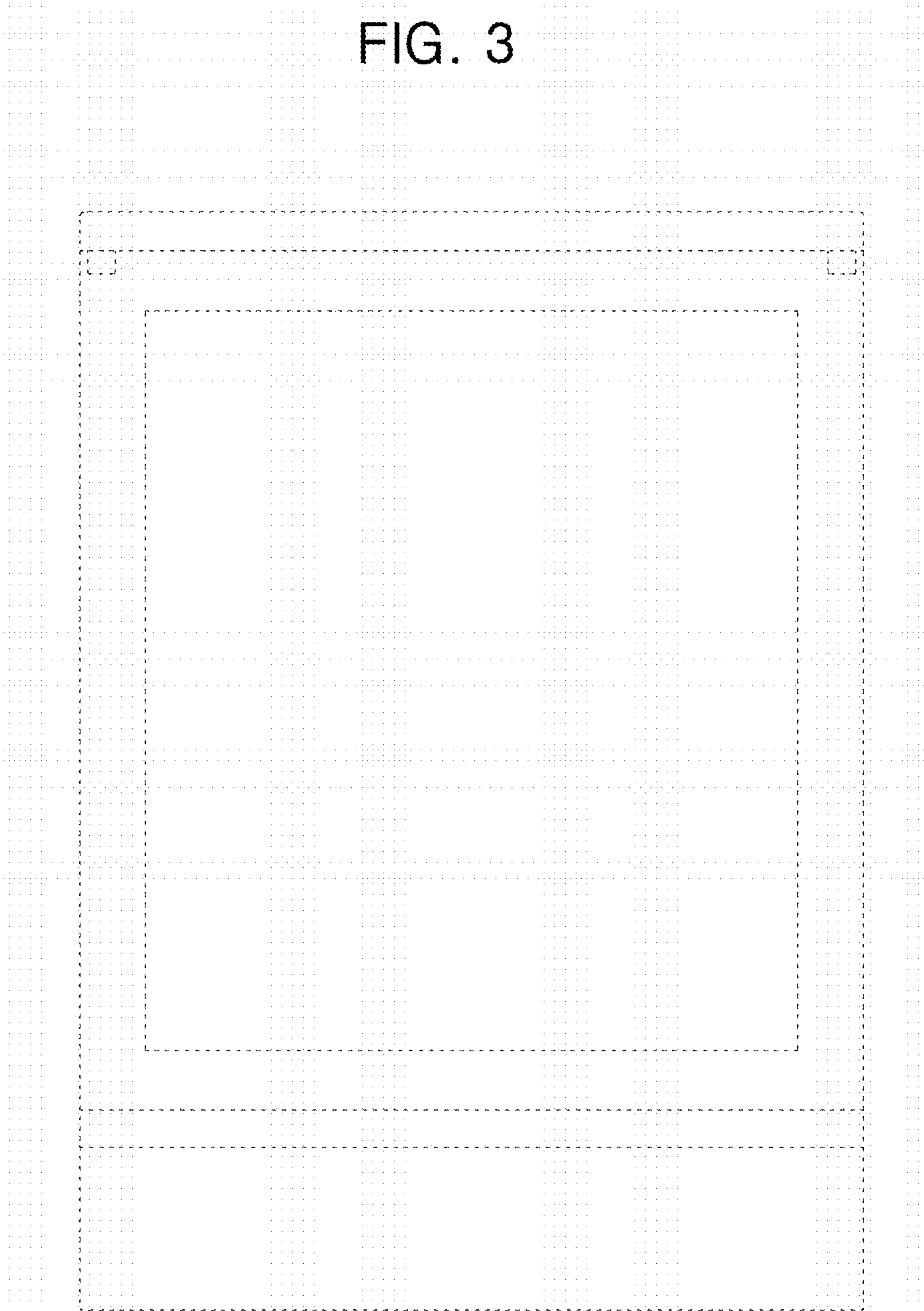


FIG. 4

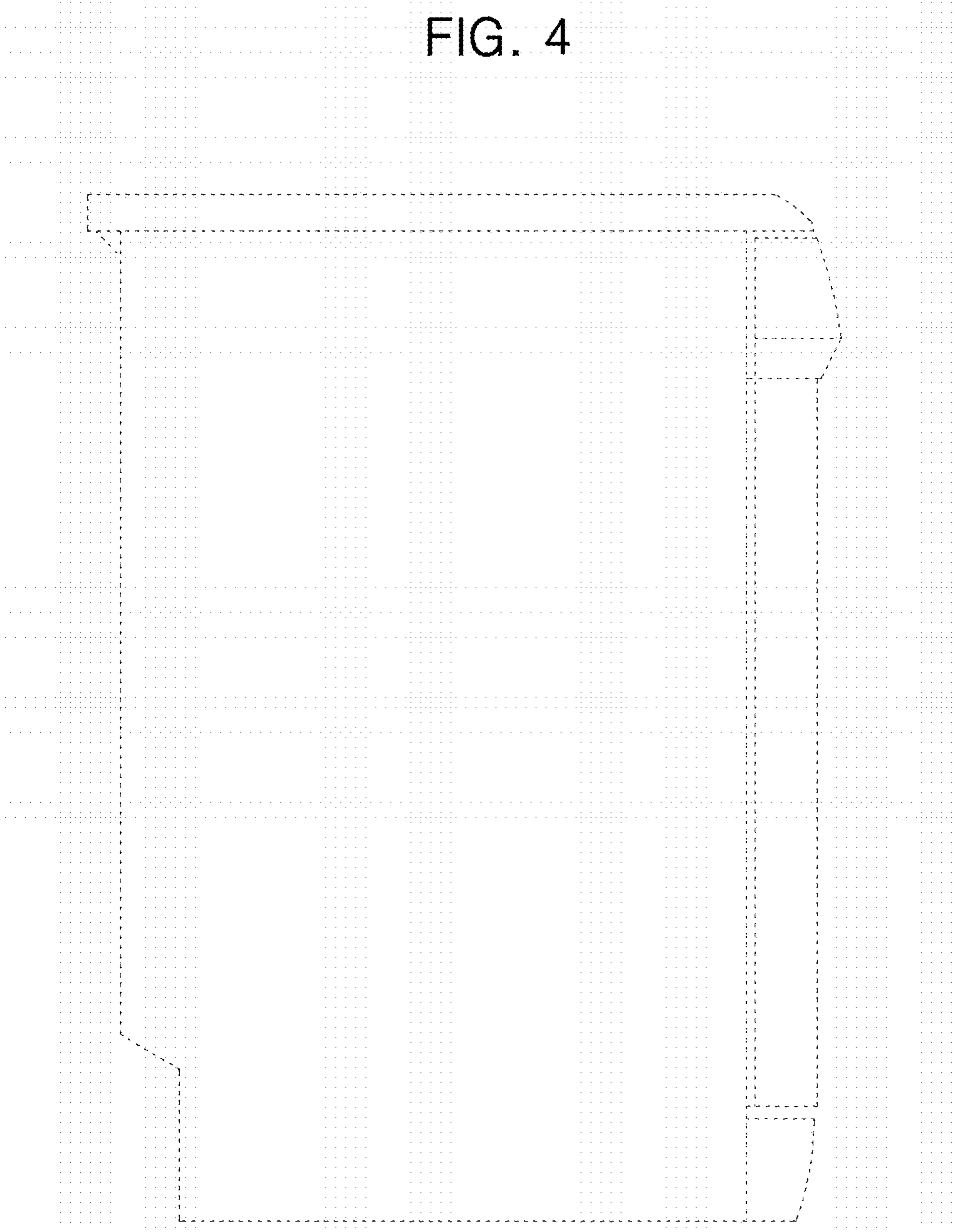


FIG. 5

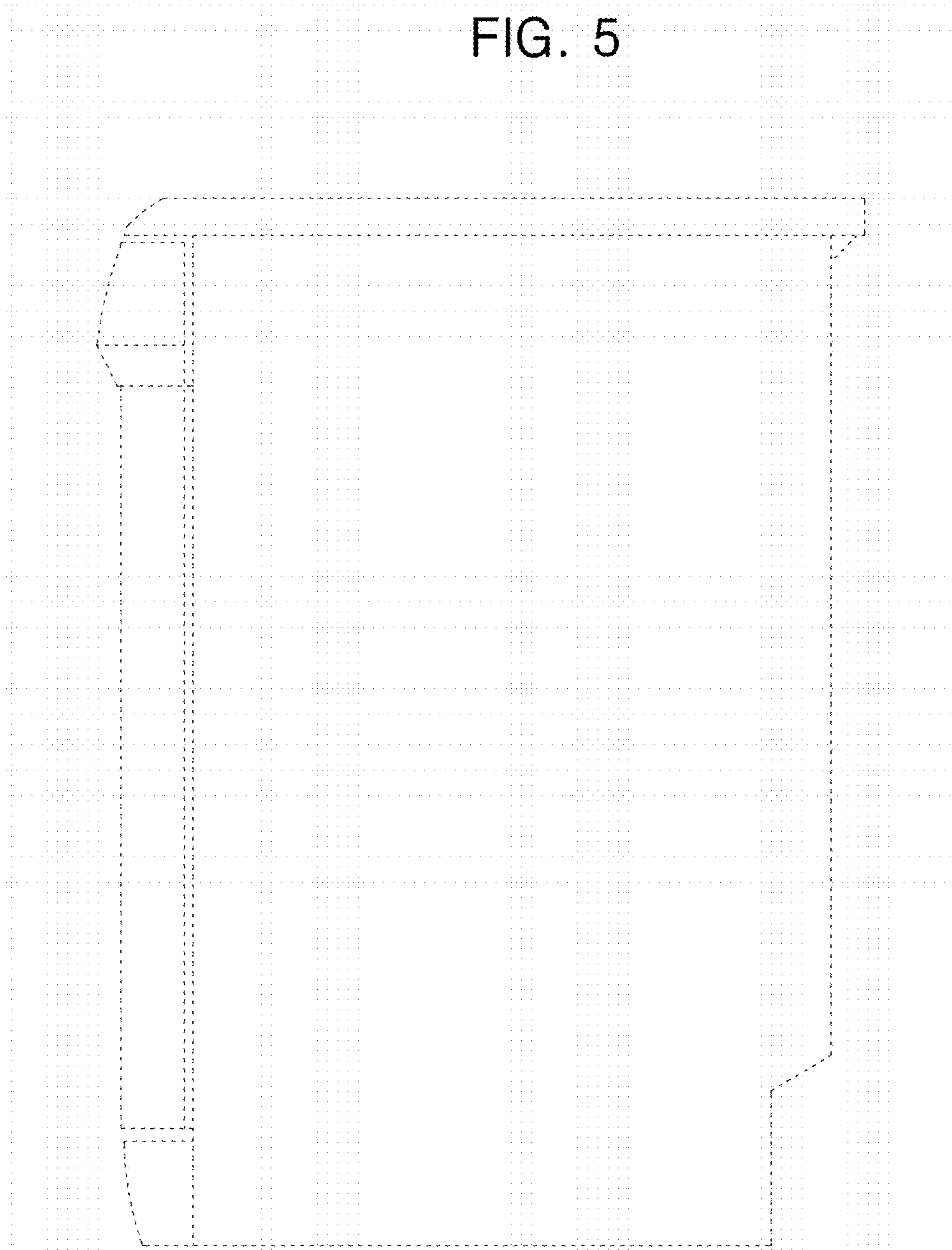


FIG. 6

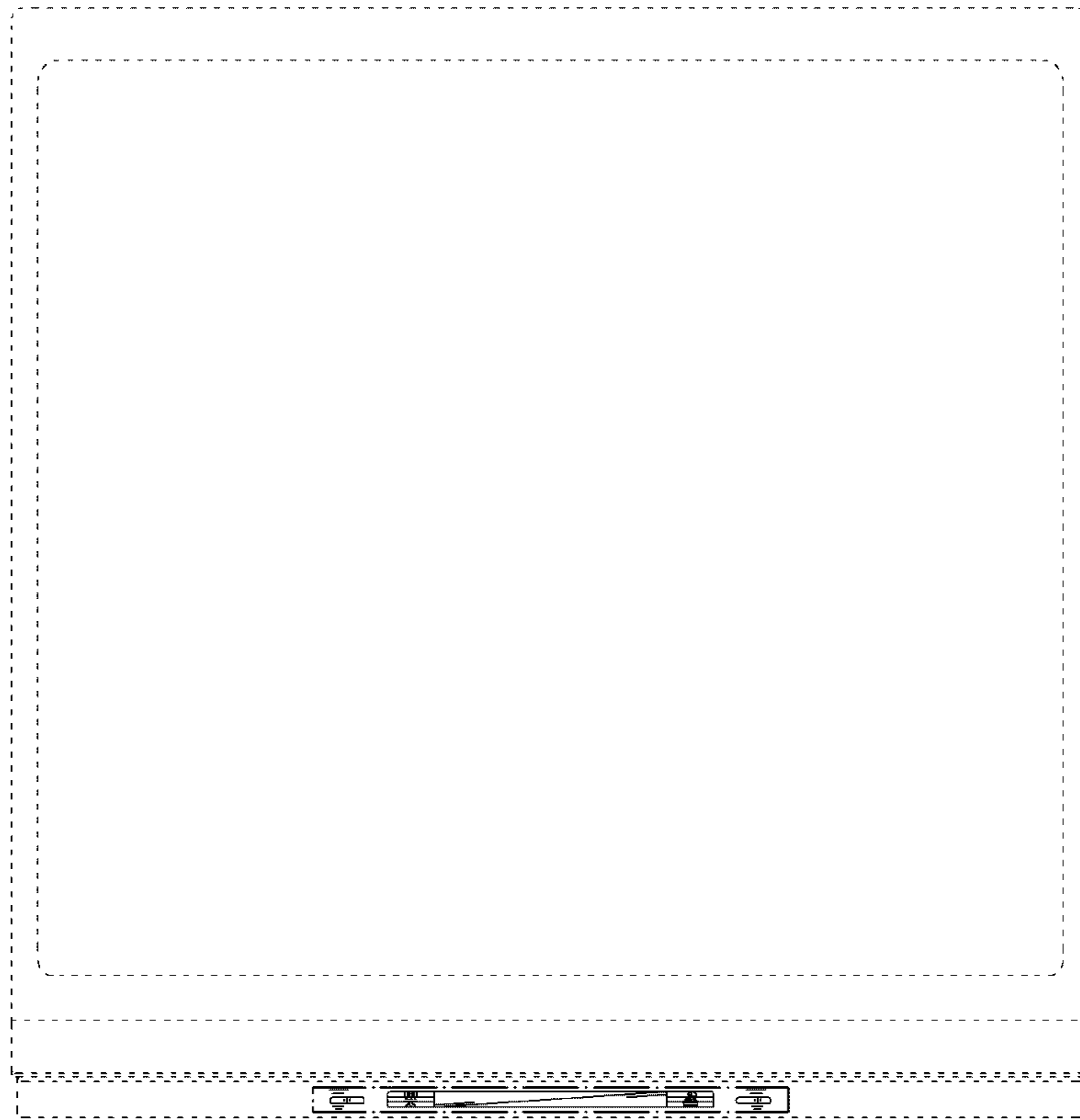




FIG. 7

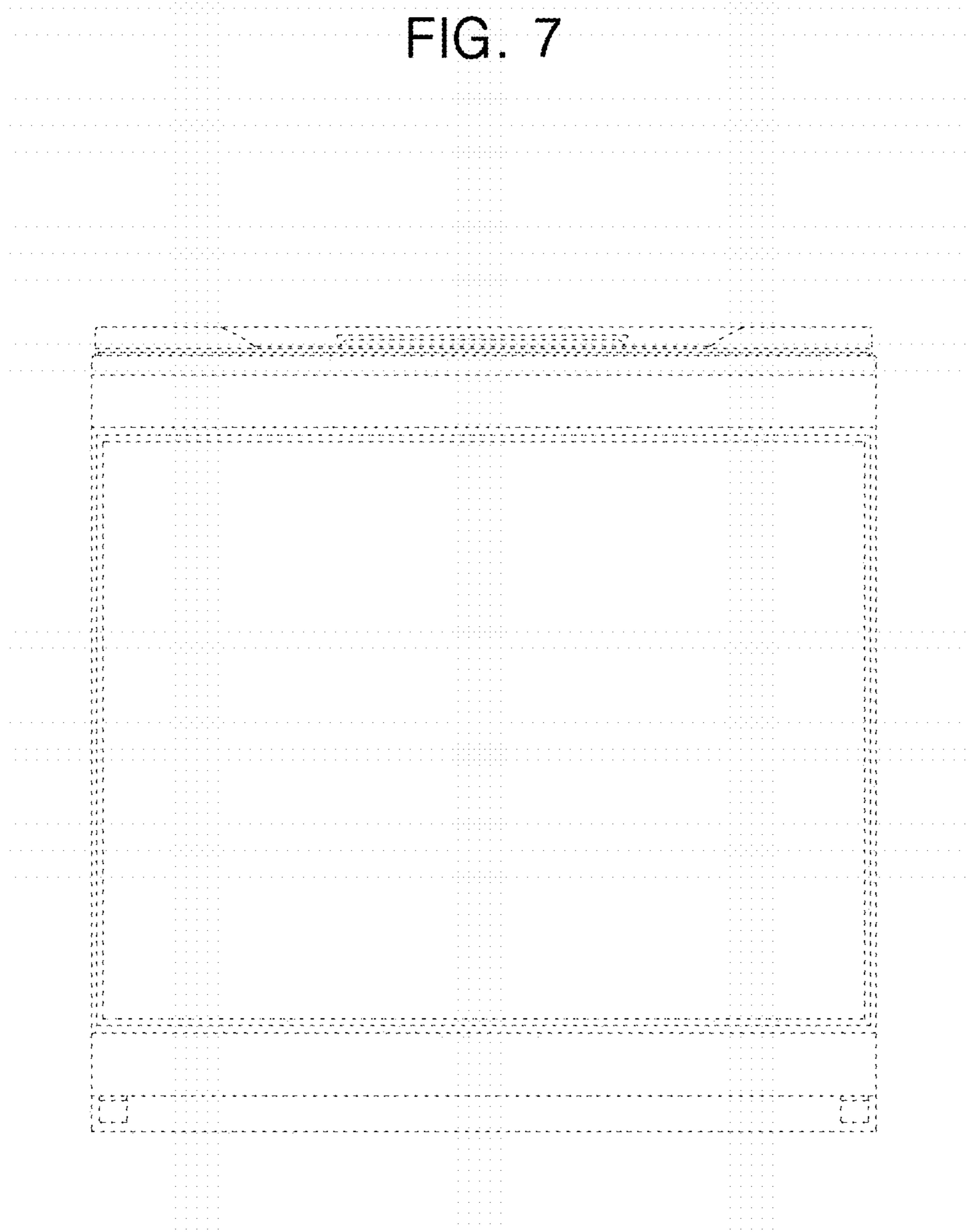


FIG. 8

