



US00D775768S

(12) **United States Design Patent** (10) **Patent No.:** **US D775,768 S**  
**Mihlbauer** (45) **Date of Patent:** **\*\* Jan. 3, 2017**

(54) **FISH TANK**  
(71) Applicant: **CENTRAL GARDEN & PET COMPANY**, Walnut Creek, CA (US)  
(72) Inventor: **Brad L. Mihlbauer**, Mukwonago, WI (US)  
(73) Assignee: **CENTRAL GARDEN & PET COMPANY**, Walnut Creek, CA (US)  
(\*\*) Term: **15 Years**  
(21) Appl. No.: **29/540,740**  
(22) Filed: **Sep. 28, 2015**  
(51) **LOC (10) Cl.** ..... **30-02**  
(52) **U.S. Cl.**  
USPC ..... **D30/102**  
(58) **Field of Classification Search**  
USPC ..... D30/101-107; D11/131, 145, 133, 157, D11/103, 106, 115; D6/693, 707.14; D9/617, D9/629, 643, 645, 661-662; D21/378; D19/147, 137  
CPC ..... A01K 63/00; A01K 63/003; A01K 63/02; A01K 63/006  
See application file for complete search history.

4,147,131 A \* 4/1979 Walker ..... A01K 63/003 119/246  
D373,693 S \* 9/1996 Elhage ..... D30/101  
D375,456 S \* 11/1996 Borgmann ..... D9/629  
D553,304 S \* 10/2007 Wang ..... D30/101  
D568,755 S \* 5/2008 Siegel ..... D9/629

\* cited by examiner

*Primary Examiner* — Wan Laymon  
(74) *Attorney, Agent, or Firm* — Grossman, Tucker, Perreault & Pflieger, PLLC

(57) **CLAIM**

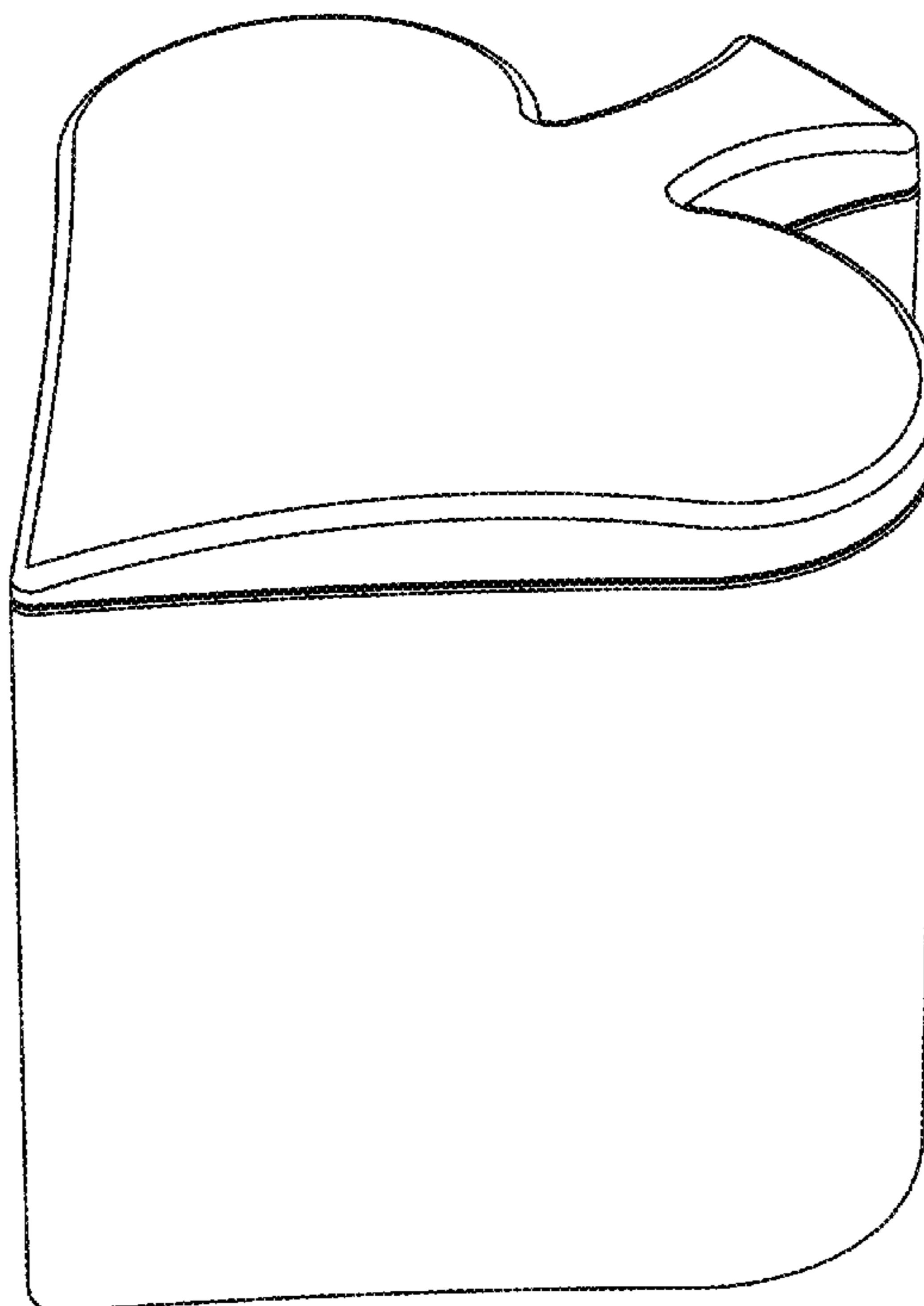
The ornamental design for a fish tank, as shown and described.

**DESCRIPTION**

FIG. 1 is a perspective view of the fish tank of the present invention;  
FIG. 2 is a top view of the fish tank of FIG. 1;  
FIG. 3 is bottom view of the fish tank of FIG. 1;  
FIG. 4 is a front view of the fish tank of FIG. 1;  
FIG. 5 is a rear view of the fish tank of FIG. 1;  
FIG. 6 is a left side view of the fish tank of FIG. 1; and,  
FIG. 7 is a right side view of the fish tank of FIG. 1.  
The broken lines in the Figures illustrate portions of the fish tank which form no part of the claimed design.

**1 Claim, 7 Drawing Sheets**

(56) **References Cited**  
U.S. PATENT DOCUMENTS  
3,696,789 A \* 10/1972 Richard ..... A01K 63/003 119/258  
D249,169 S \* 8/1978 Walker ..... D30/105



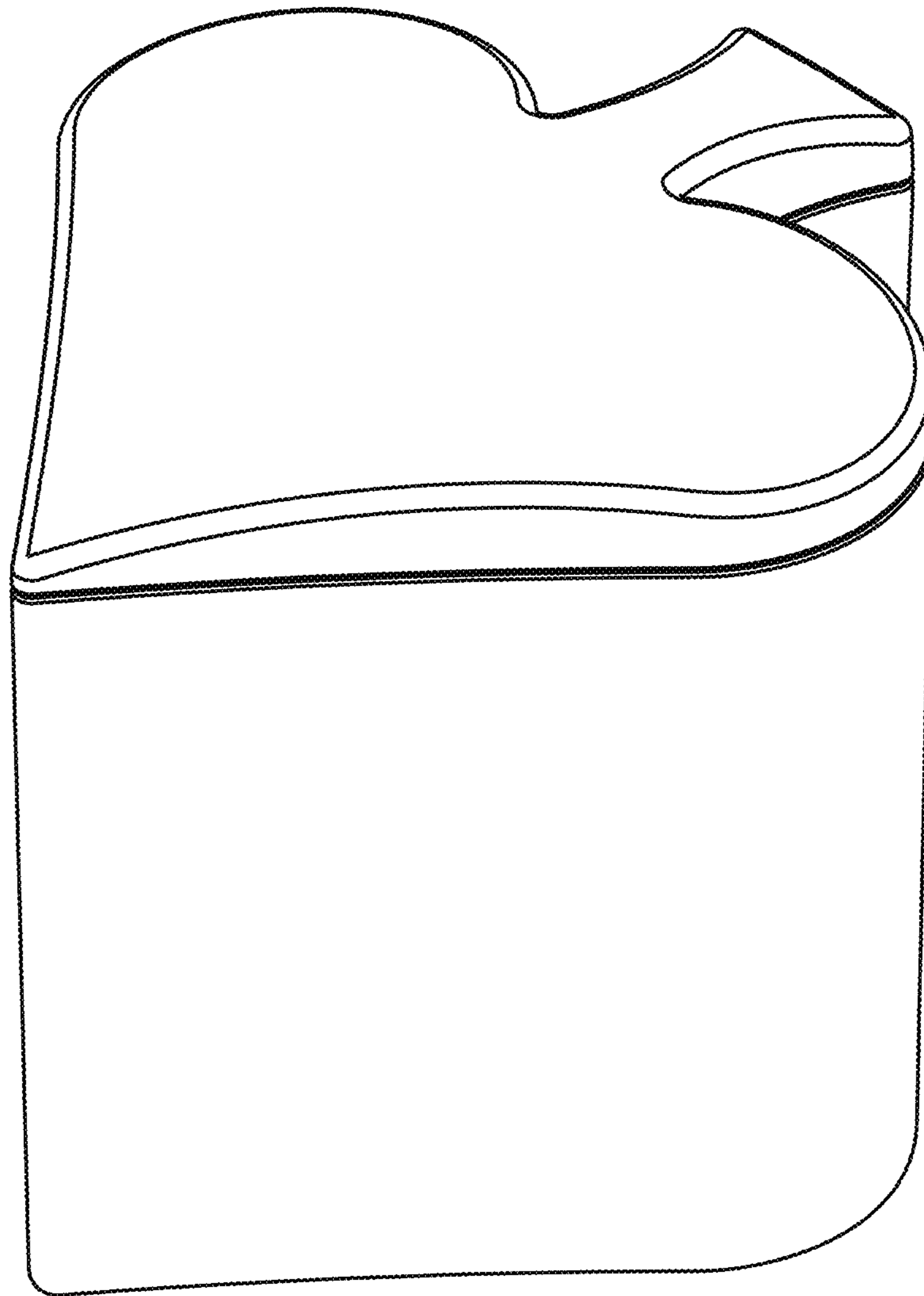


FIG. 1

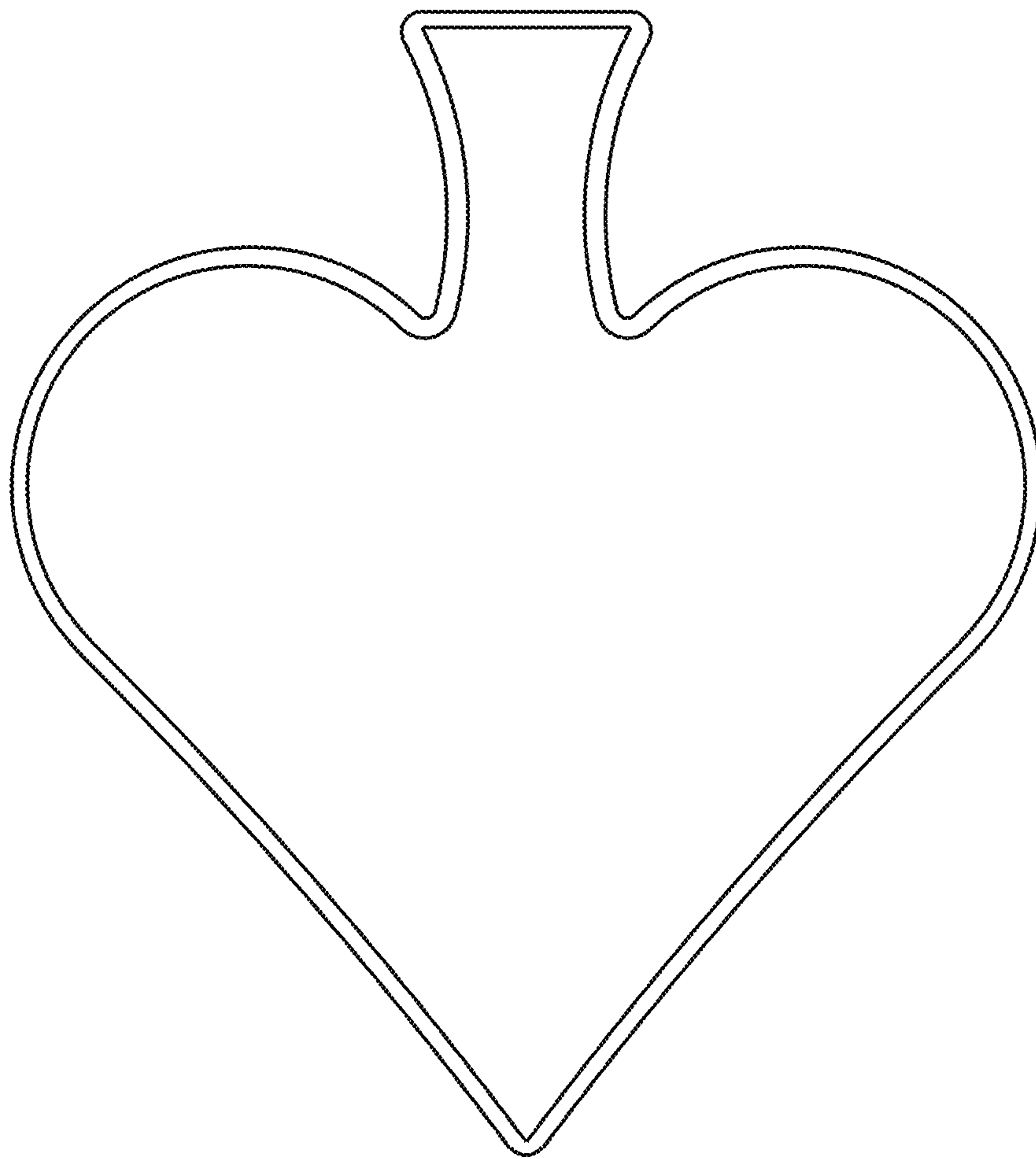


FIG. 2

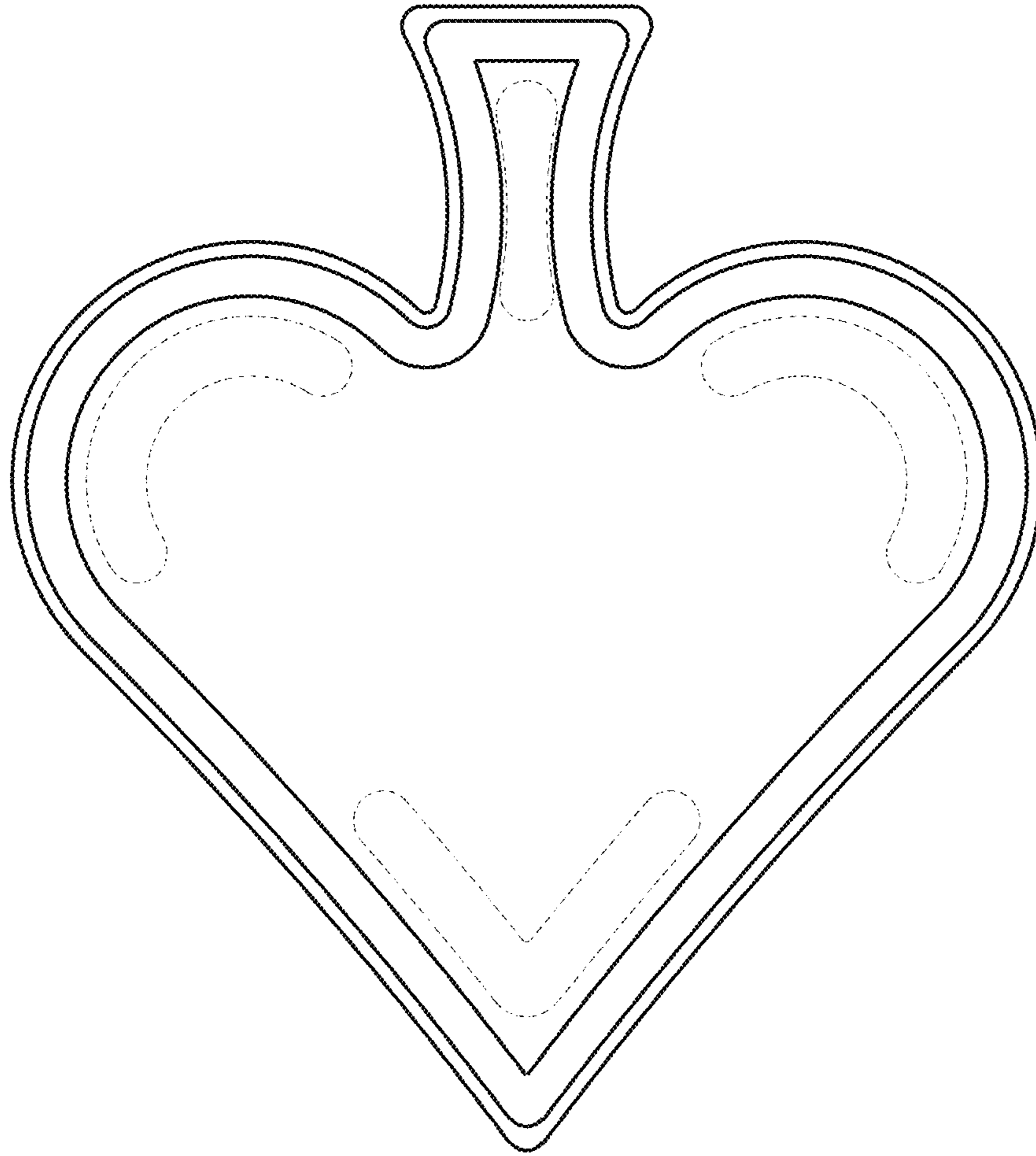


FIG. 3

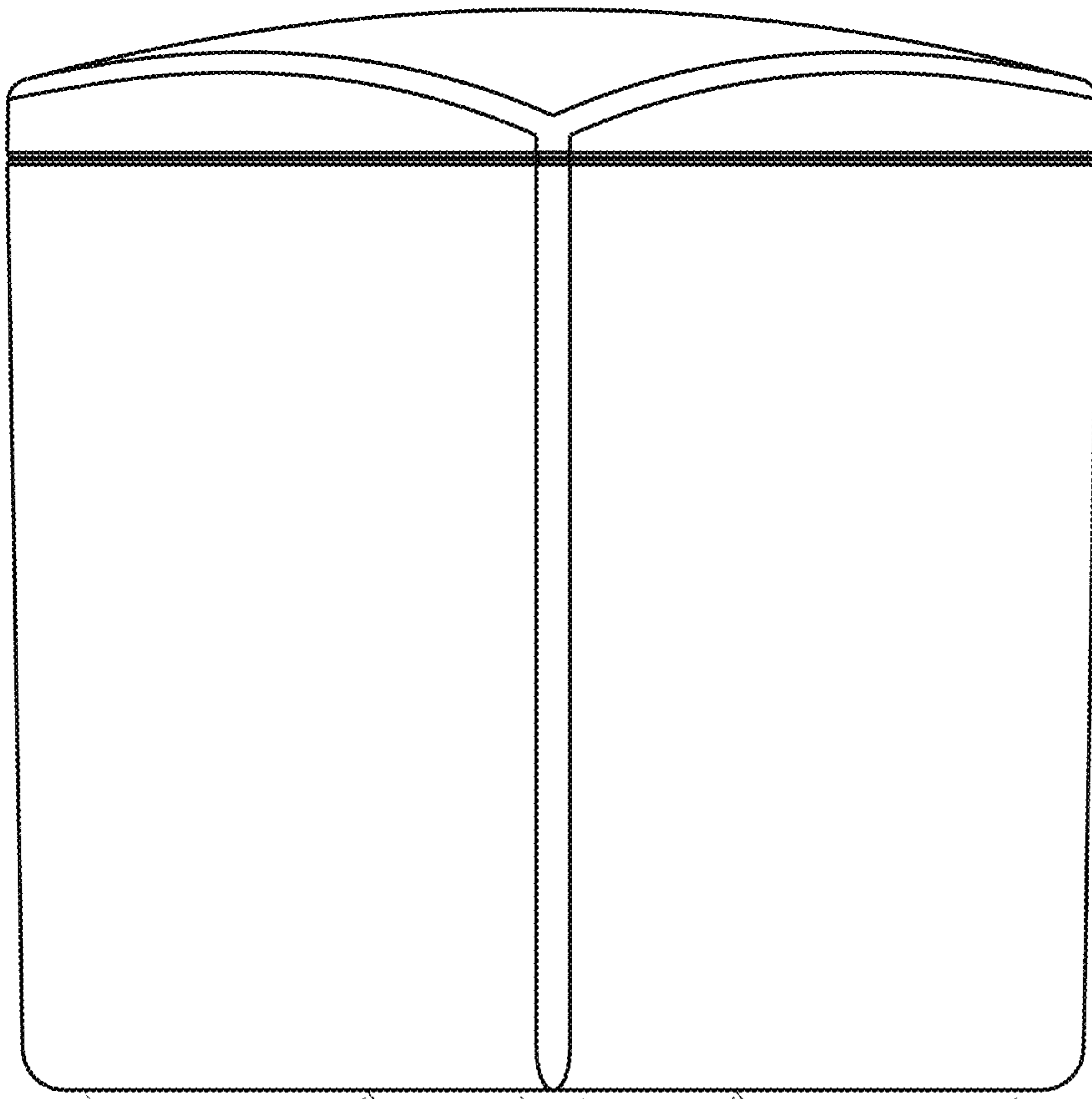


FIG. 4

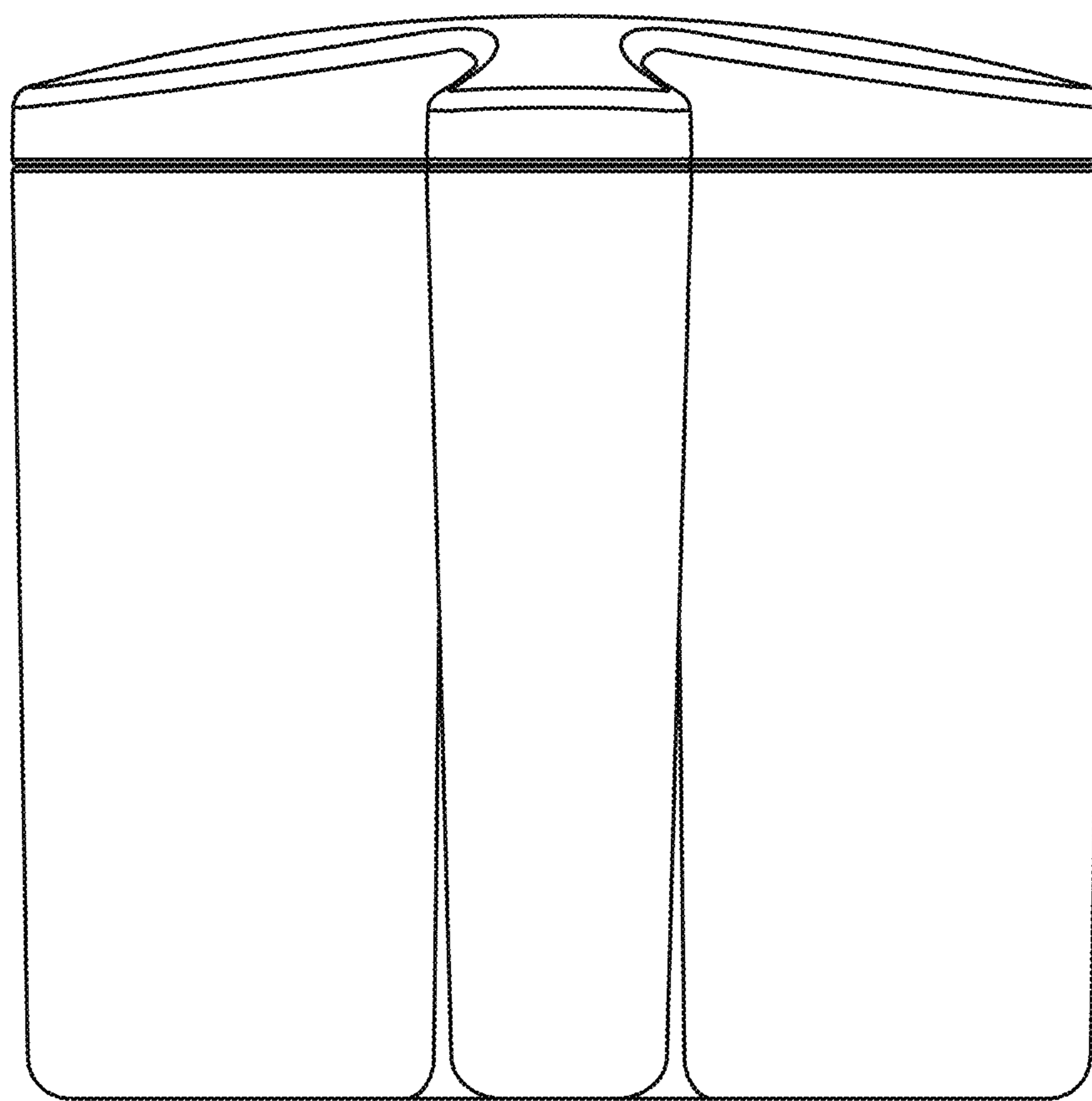


FIG. 5

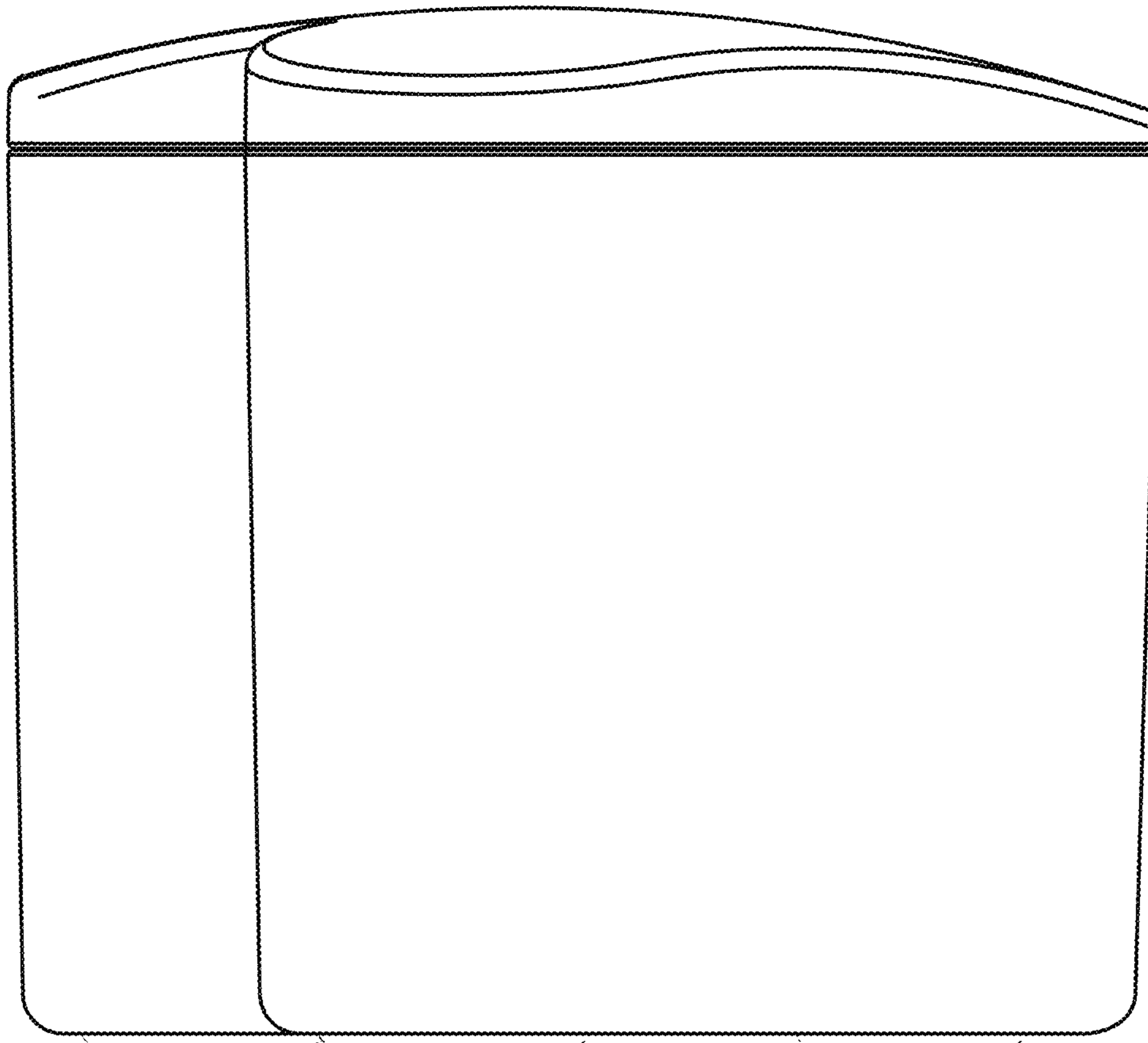


FIG. 6

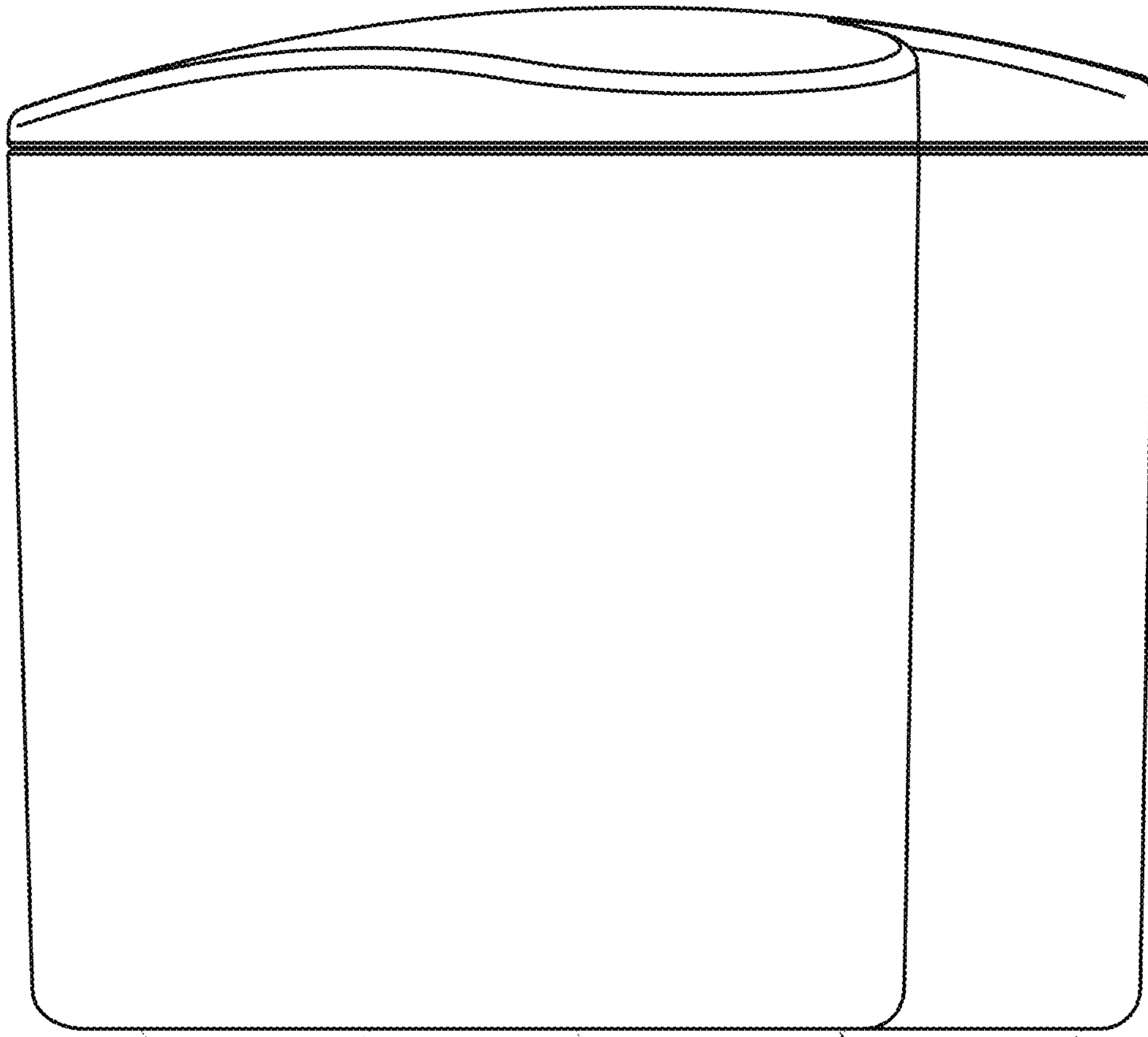


FIG. 7