



US00D775762S

(12) **United States Design Patent** (10) **Patent No.:** **US D775,762 S**
Chen (45) **Date of Patent:** **** Jan. 3, 2017**

(54) **ELECTRONIC SMOKE DEVICE**
(71) Applicant: **SMISS TECHNOLOGY CO., LTD,**
 Baoan District, Shenzhen (CN)
(72) Inventor: **Jiatai Chen,** Shenzhen (CN)
(73) Assignee: **SMISS TECHNOLOGY CO., LTD,**
 Shezhen (CN)
(**) Term: **14 Years**

D664,710 S * 7/2012 Van Keppel et al. D27/157
D708,727 S * 7/2014 Postma D23/360
8,833,364 B2 * 9/2014 Buchberger 128/202.21
8,851,083 B2 * 10/2014 Oglesby et al. 131/271
D717,259 S * 11/2014 Ooi et al. D14/137
D728,855 S * 5/2015 Liu D27/163
D729,444 S * 5/2015 Leidel D27/163
D729,445 S * 5/2015 Leidel D27/186
D730,572 S * 5/2015 Leidel D27/163
D735,157 S * 7/2015 Moriya et al. D14/137
2010/0313901 A1 * 12/2010 Fernando et al. 131/330
2012/0255546 A1 * 10/2012 Goetz et al. 128/202.21

(Continued)

(21) Appl. No.: **29/486,478**
(22) Filed: **Mar. 31, 2014**
(51) **LOC (10) Cl.** **27-01**
(52) **U.S. Cl.**
 USPC **D27/101**
(58) **Field of Classification Search**
 USPC D27/183, 193, 101, 163, 169, 123, 129,
 D27/172, 186, 105, 108, 190, 195, 189,
 D27/184, 187, 164, 175; D25/126;
 D24/110; D14/137, 217, 225, 226, 248,
 D14/480, 478, 480.5, 481, 498, 135, 164,
 D14/167, 171, 172, 221, 229
 CPC A24F 1/02; A24F 1/04; A24F 1/08;
 A24F 1/16; A24F 1/28; A24F 1/30; A24F
 3/00; A24F 7/00
 See application file for complete search history.

OTHER PUBLICATIONS

Electronic Smoke Device | Kanger Subox Nano Starter Kit | My Vapestore, posted at vapesociety.com, posting date not given, © 2009-2015 Vapesociety.com [online] [site visited Oct. 6, 2015]. Available from Internet, <http://www.myvaporstore.com/Kangertech-SUBOX-Nano-Starter-Kit-Black-p/krsl1.htm>.*

(Continued)

Primary Examiner — Susan Bennett Hattan
Assistant Examiner — Jennifer Wright

(57) **CLAIM**

The ornamental design for the electronic smoke device, as shown and described.

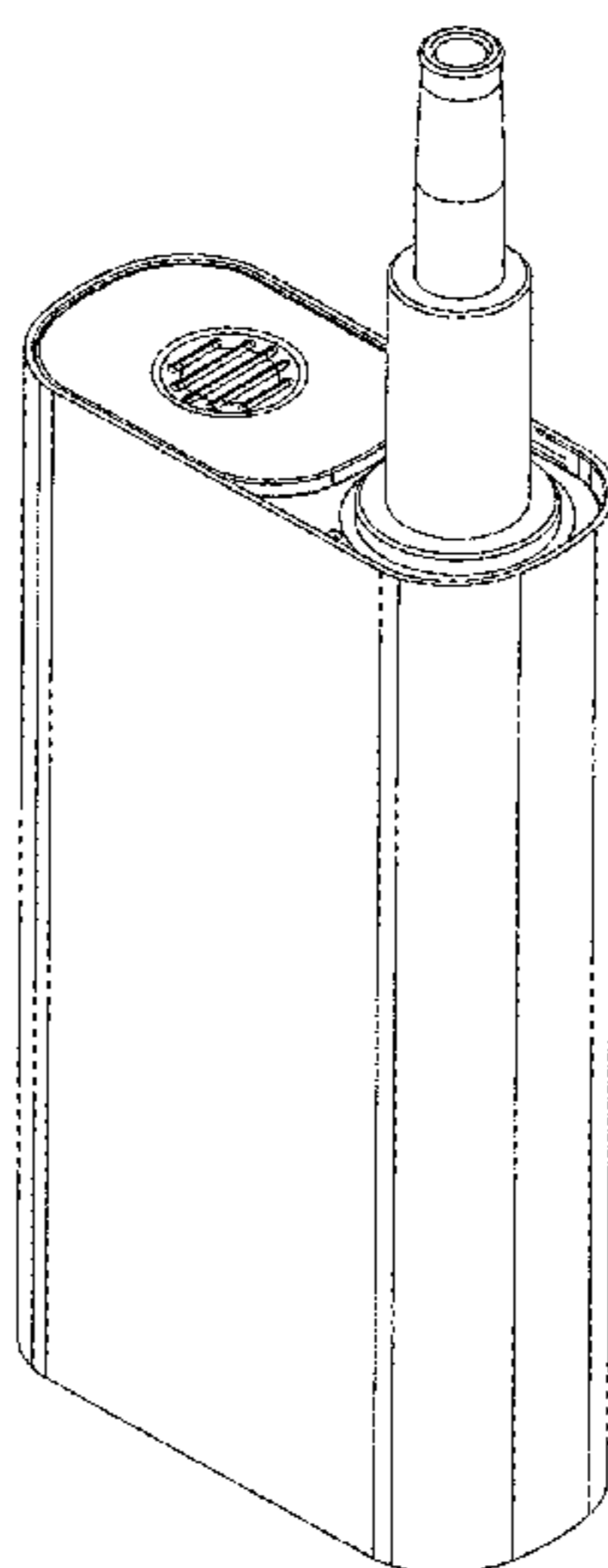
DESCRIPTION

FIG. 1 is the perspective view of the electronic smoke device showing my new design;
FIG. 2 is the left side view thereof;
FIG. 3 is the right side view thereof;
FIG. 4 is the top plan view thereof;
FIG. 5 is the bottom plan view thereof;
FIG. 6 is the front elevational view thereof; and,
FIG. 7 is the rear elevational view thereof.
The broken lines in FIG. 5 depict parts of the electronic smoke device that form no part of the claimed design.

1 Claim, 7 Drawing Sheets

(56) **References Cited**
 U.S. PATENT DOCUMENTS

D243,199 S * 1/1977 Stuetzer D27/154
D371,633 S * 7/1996 Chenard D27/163
D379,809 S * 6/1997 Lindeman D14/137
5,934,289 A * 8/1999 Watkins et al. 131/328
D526,739 S * 8/2006 Reynolds D27/147
D547,859 S * 7/2007 Choi D24/113
D577,150 S * 9/2008 Bryman et al. D27/163
D629,154 S * 12/2010 Sung D27/154
D649,708 S * 11/2011 Oneil D27/163
D664,709 S * 7/2012 Almsberger et al. D27/157



(56)

References Cited

U.S. PATENT DOCUMENTS

2013/0014772 A1* 1/2013 Liu 131/329
2014/0373857 A1* 12/2014 Steinberg 131/329
2015/0053217 A1* 2/2015 Steingraber et al. 131/329
2015/0136124 A1* 5/2015 Aronie et al. 128/202.21

OTHER PUBLICATIONS

Electronic Smoke Device | Eeiaf iStick 100W—Black | MyVaporStore, posted at myvapestore.com, posting date not given, © 2009-2015 myvapestore.com [online] [site visited Oct. 16, 2015]. Available from Internet, <http://www.myvaporstore.com/Eleaf-iSmoka-iStick-100W-Bod-Mod-p/elis-is100wbk.htm>.*

Electronic Smoke Device | Joye eVic-VT 60W-Starter Kit | MyVaporStore, posted at myvapestore.com, posting date not given, © 2009-2015 myvapestore.com [online] [site visited Oct. 16, 2015]. Available from Internet, <http://www.myvaporstore.com/Joyetech-eVic-VT-Temp-Control-Starter-Kit-p/joye-vtk.htm>.*

Electronic Smoke Device | Kimsun STL Lion | Kimree posted at kimree.com, posting date not given, © 2003-2014 kimree.com [online] [site visited Oct. 6, 2015]. Available from Internet, <http://www.kimree.com/products/E-Cig-Mods/kimsun-STL-Lion.html>.*

* cited by examiner

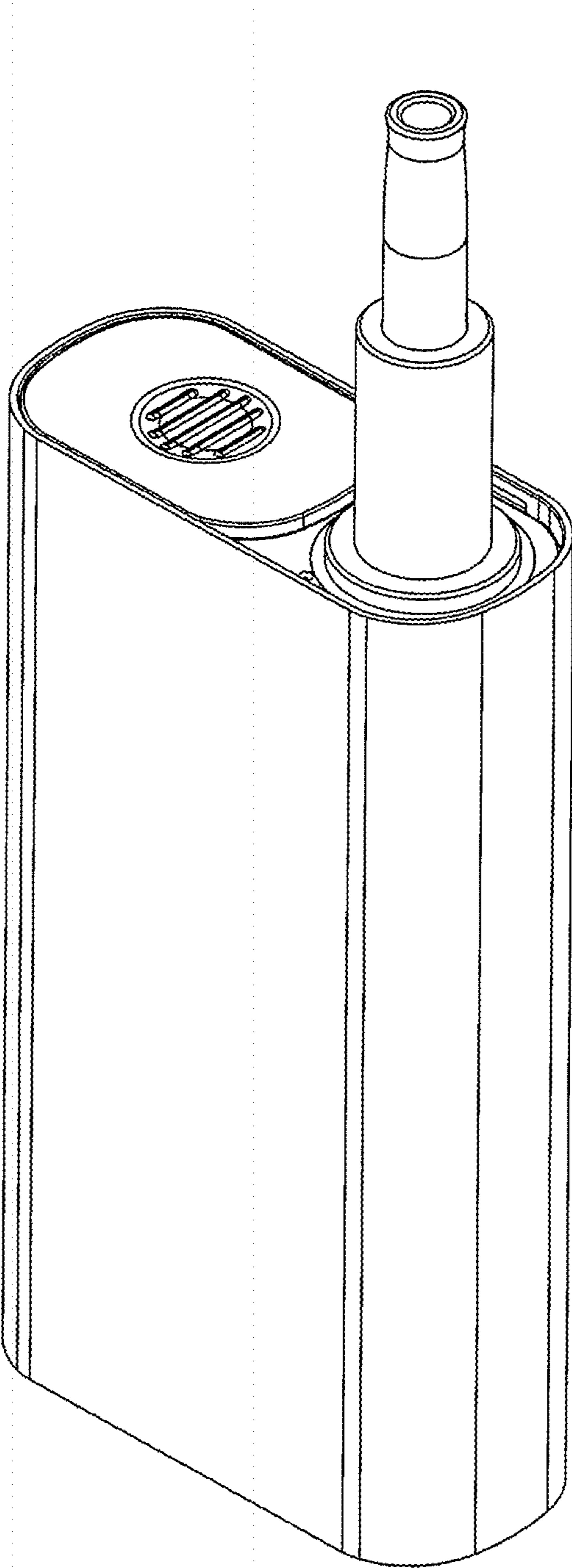


Fig. 1

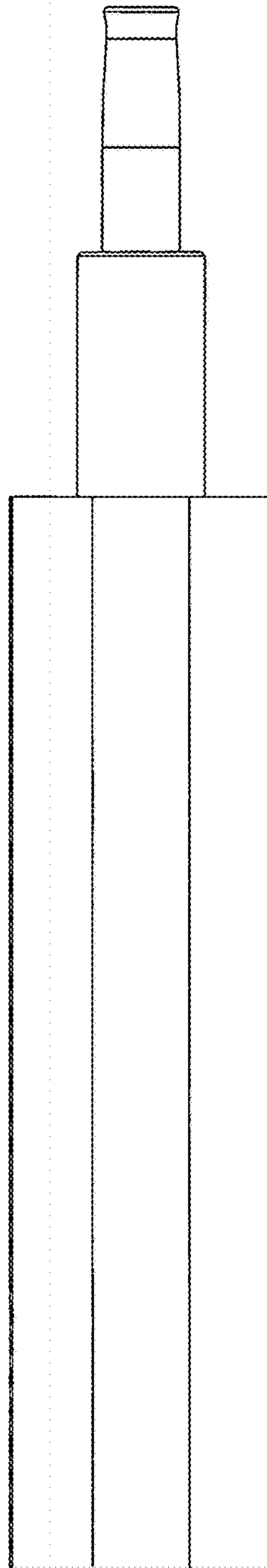


Fig. 2

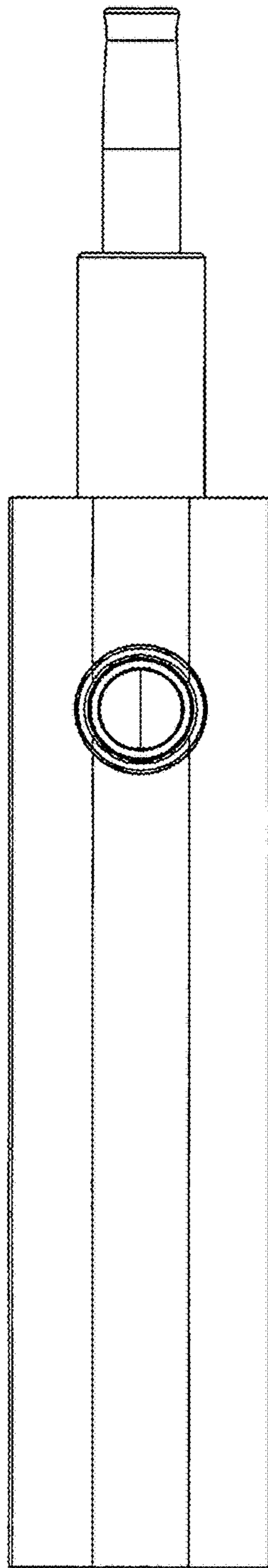


Fig. 3

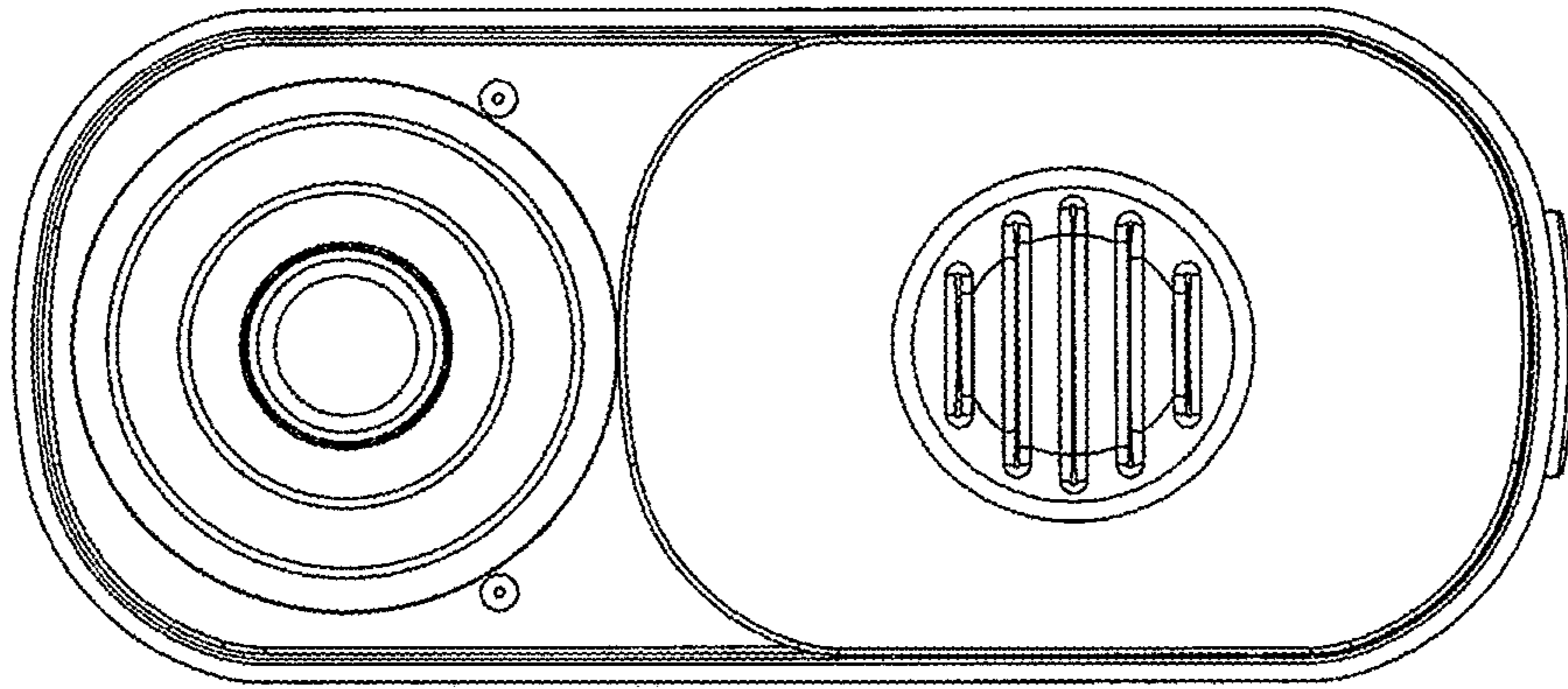


Fig. 4

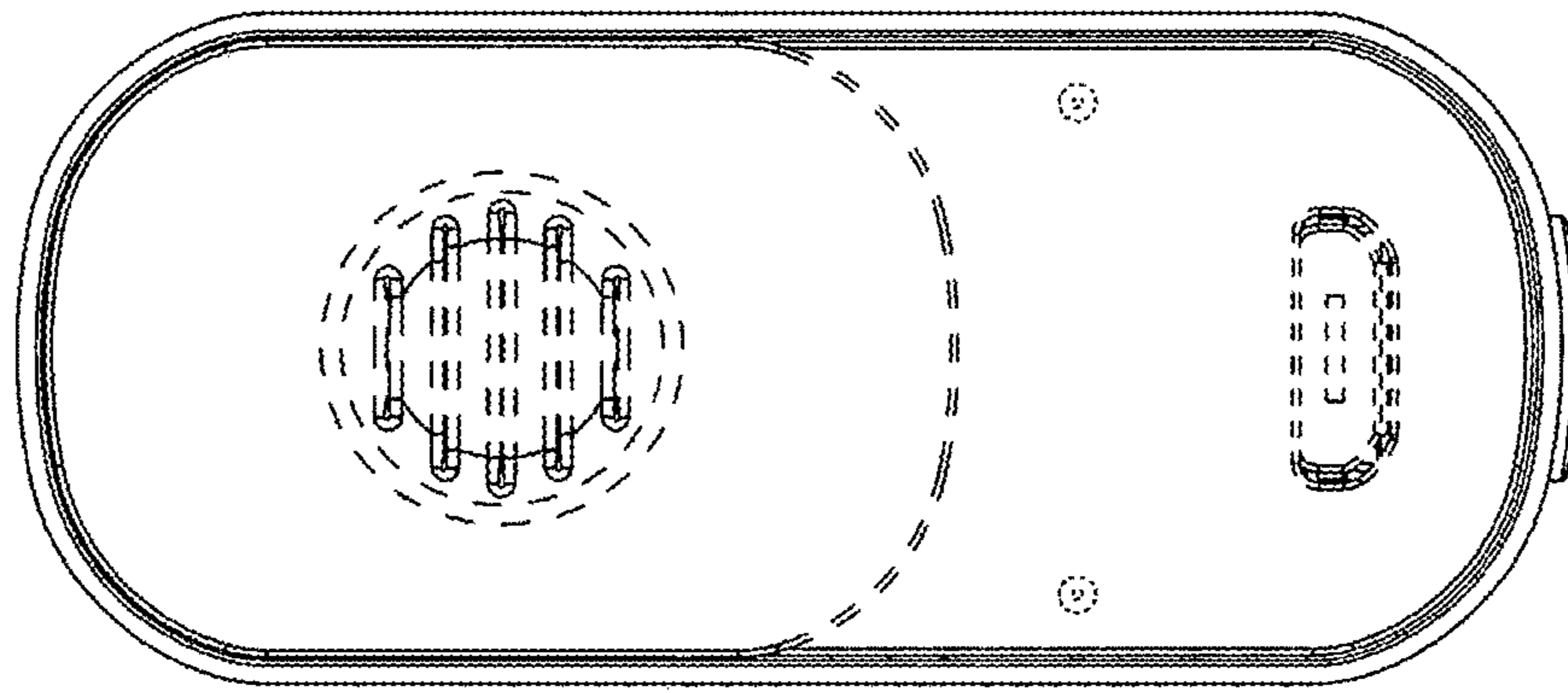


Fig. 5

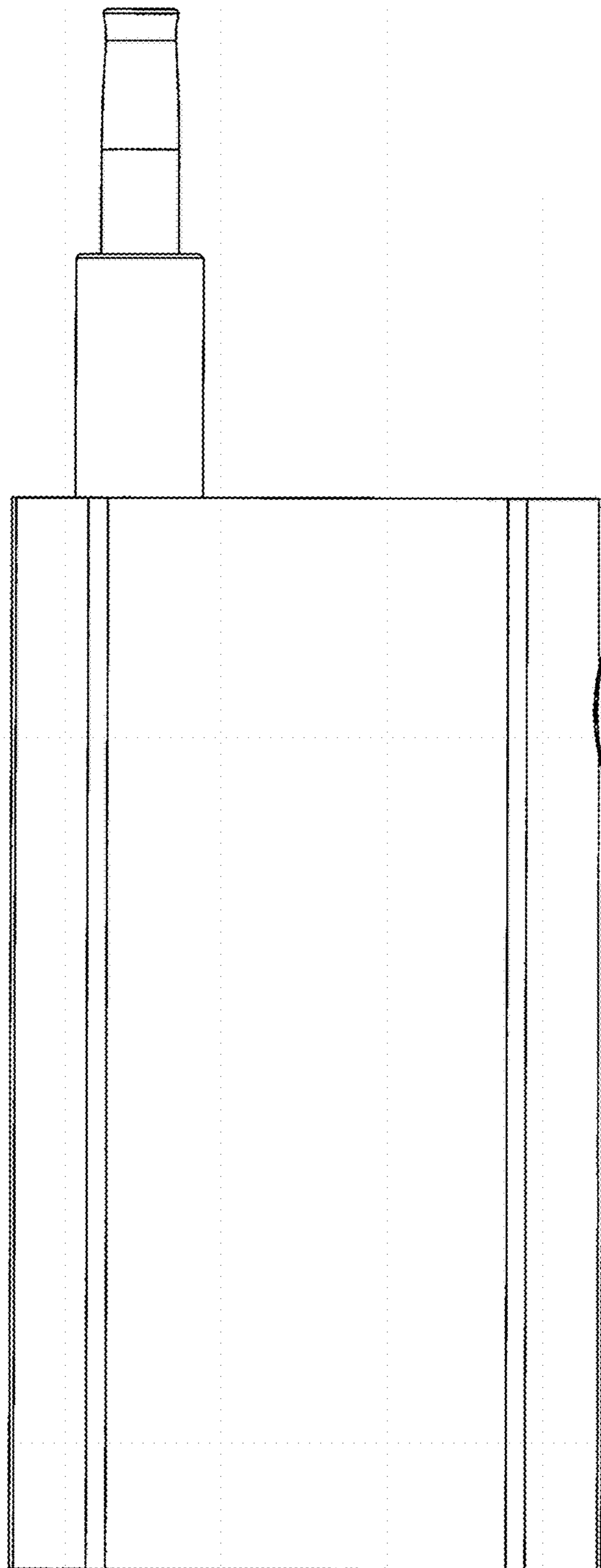


Fig. 6

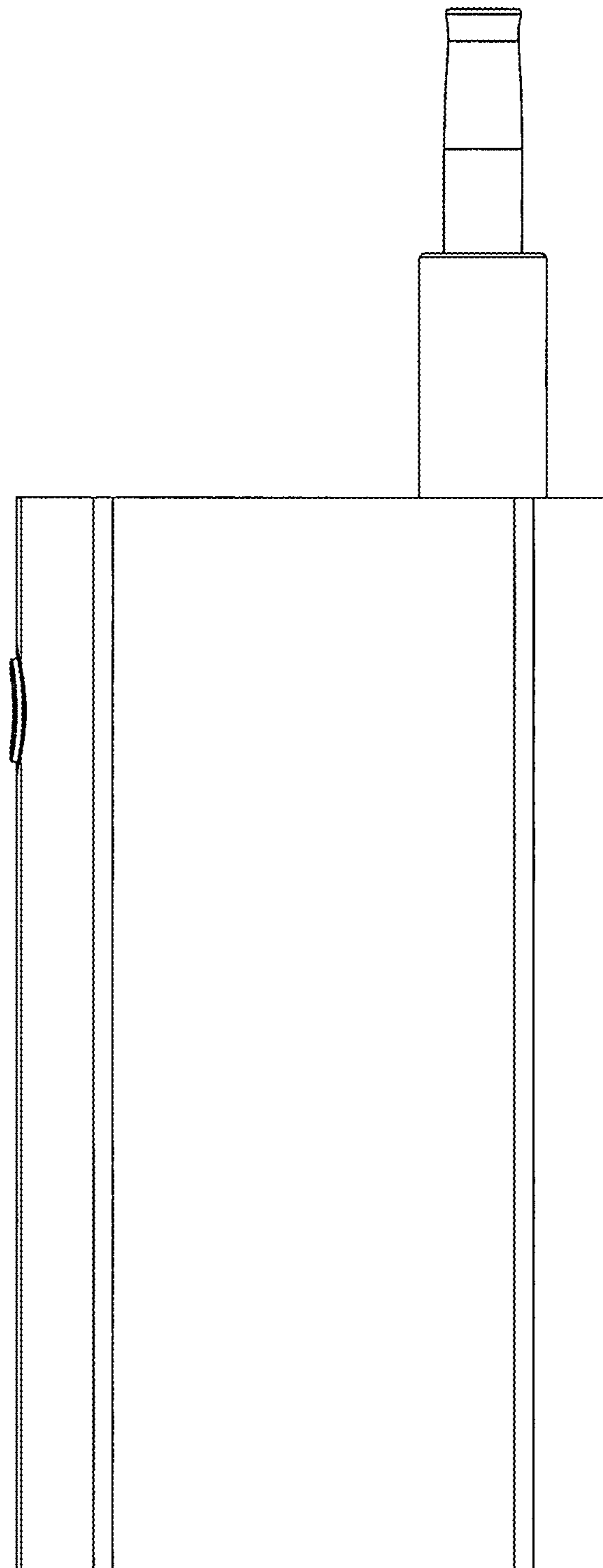


Fig. 7