



US00D775760S

(12) **United States Design Patent**
Reynolds

(10) **Patent No.:** **US D775,760 S**
(45) **Date of Patent:** **** Jan. 3, 2017**

(54) **HORTICULTURE GROW LIGHT HOUSING**

FOREIGN PATENT DOCUMENTS

(71) Applicant: **IP Holdings, LLC**, Vancouver, WA
(US)

CA 2034710 A1 8/1991
CA 1314529 C 3/1993

(Continued)

(72) Inventor: **Christopher Reynolds**, Vancouver, WA
(US)

OTHER PUBLICATIONS

(73) Assignee: **IP Holdings, LLC**, Vancouver, WA
(US)

1000 Watt Galaxy Grow Amp Double Ended Grow Light Packages, image post date Jan. 30, 2014, site visited Jul. 8, 2016, (online), <<http://www.ehydroponics.com/1000-watt-galaxy-grow-amp-double-ended-grow-light-package.html>>.*

(Continued)

(**) Term: **15 Years**

(21) Appl. No.: **29/552,188**

Primary Examiner — Kevin Rudzinski

Assistant Examiner — Sean D Lough

(22) Filed: **Jan. 20, 2016**

(74) *Attorney, Agent, or Firm* — J. Douglas Wells

(57) **CLAIM**

The ornamental design for a horticulture grow light housing, as shown and described.

Related U.S. Application Data

DESCRIPTION

(63) Continuation of application No. 29/534,411, filed on Jul. 28, 2015, now Pat. No. Des. 751,247, which is a
(Continued)

(51) **LOC (10) Cl.** **26-99**

(52) **U.S. Cl.**
USPC **D26/118; D26/72**

(58) **Field of Classification Search**
USPC D26/5, 6, 9, 10, 11, 12, 13, 15, 16, 24, D26/51, 61, 72, 76, 79, 80, 81, 85, 86, D26/88, 90, 113, 114, 116, 118, 119, 120, D26/121, 122, 127, 128, 129, 131, 135, D26/137, 138, 143, 144, 180
(Continued)

FIG. 1 is a perspective view of a horticulture grow light housing, as viewed from below, showing my new design; FIG. 2 is a perspective view of the housing shown in FIG. 1, as viewed from above; FIG. 3 is a left side view of the housing shown in FIG. 1; FIG. 4 is a right side view of the housing shown in FIG. 1; FIG. 5 is a front elevation view of the housing shown in FIG. 1; FIG. 6 is a rear elevation view of the housing shown in FIG. 1; FIG. 7 is a top plan view of the housing shown in FIG. 1; and, FIG. 8 is a bottom plan view of the housing shown in FIG. 1.

The broken-line disclosure shown in the views is understood to represent portions of the article in which the claimed design is embodied, but which form no part of the claimed design.

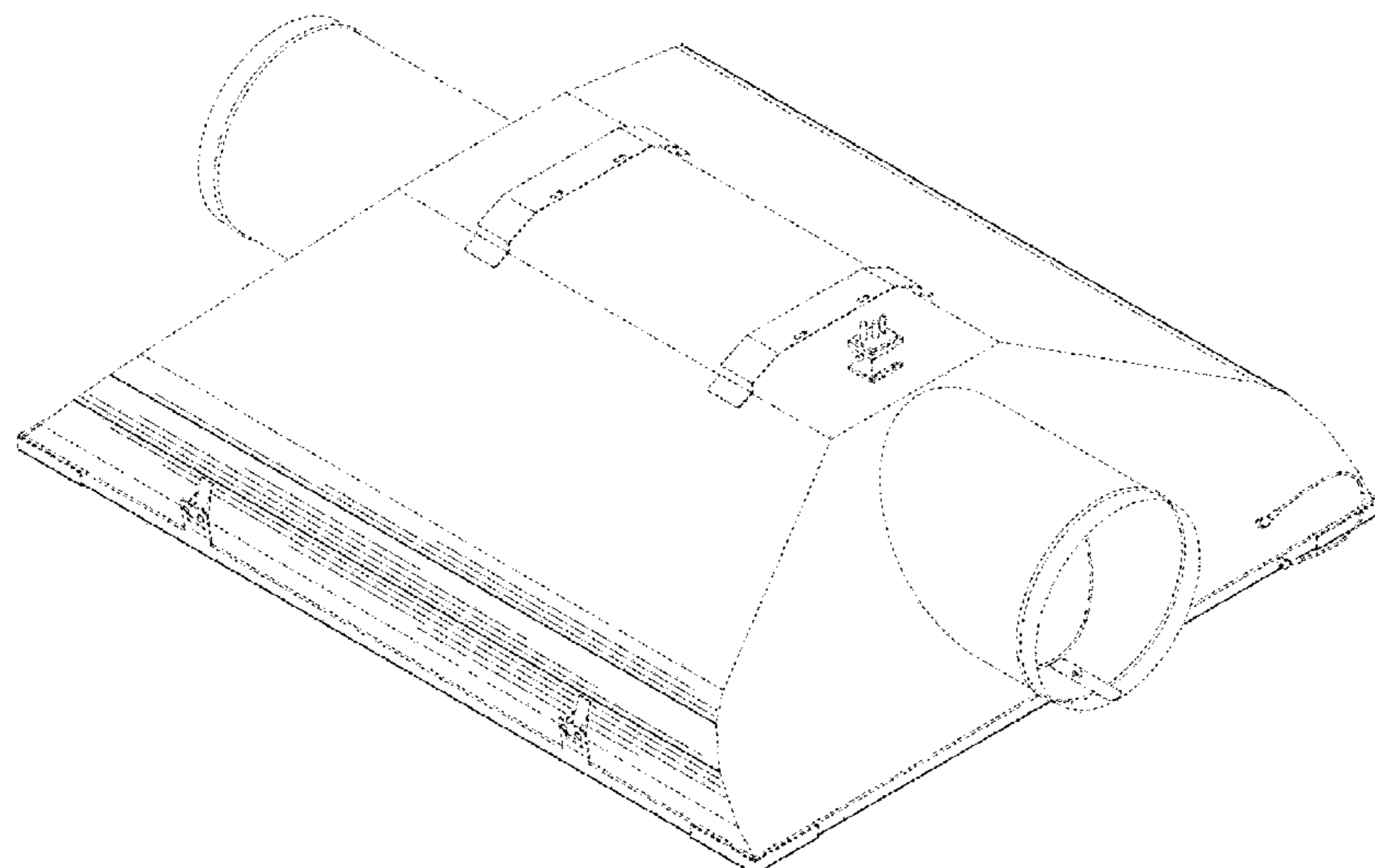
(56) **References Cited**

U.S. PATENT DOCUMENTS

32,722 A 7/1861 Schmidlin
D46,253 S 8/1914 Opp

(Continued)

1 Claim, 6 Drawing Sheets



Related U.S. Application Data

continuation of application No. 29/478,005, filed on Dec. 30, 2013, now Pat. No. Des. 736,540, which is a continuation of application No. 29/451,028, filed on Mar. 27, 2013, now Pat. No. Des. 698,986.

(58) **Field of Classification Search**

CPC B01D 46/10; A61L 9/037; B60Q 1/04; B60Q 1/26; F21L 19/00; F21S 8/04; F21S 8/026; F21V 7/00; F21V 7/22; F21V 21/02; F21V 21/04; F21V 29/004; F21V 29/83; F21V 29/2212; F21V 37/002; F23D 11/443; F21Y 2101/02

See application file for complete search history.

(56)

References Cited

U.S. PATENT DOCUMENTS

1,410,945 A 3/1922 Mayfield
 1,547,026 A 7/1925 Canney
 D85,049 S 9/1931 Kopp
 D85,382 S 10/1931 Guth
 1,848,734 A 3/1932 Luce
 1,873,310 A 8/1932 Doane
 1,930,070 A 10/1933 Zecher
 1,987,705 A 1/1935 Pedersen
 D106,614 S 10/1937 Waterbury
 2,194,841 A 3/1940 Welch
 D119,800 S 4/1940 Carter
 D123,768 S 12/1940 Scribner
 2,242,590 A * 5/1941 Moreau F21V 7/05
 362/341
 D128,049 S 7/1941 Kurtz
 D135,375 S 3/1943 Biller
 2,339,100 A 1/1944 Netting
 2,348,617 A 5/1944 Furedy
 2,492,946 A * 1/1950 Barber F21V 7/04
 362/348
 D174,221 S 3/1955 Hatch et al.
 2,740,883 A 4/1956 Kruger
 2,741,694 A 4/1956 Wiig
 2,998,511 A 8/1961 Chan
 3,025,391 A 3/1962 Golko
 D193,802 S 10/1962 Thomsen
 D195,012 S 4/1963 Hoyle
 3,125,301 A 3/1964 Stotter
 3,263,071 A 7/1966 Fabbri
 3,272,978 A 9/1966 Jackson
 3,322,946 A 5/1967 Cooper
 3,420,995 A * 1/1969 Dunckel F21V 21/04
 292/64
 D213,391 S 2/1969 Bruno
 3,433,941 A 3/1969 Hall
 3,675,008 A 7/1972 Hill
 3,701,898 A * 10/1972 McNamara, Jr. F21V 7/05
 362/341
 3,829,677 A 8/1974 DeLlano
 3,902,059 A * 8/1975 McNamara, Jr. F21V 7/09
 362/349
 3,911,265 A * 10/1975 Landrum F21V 19/009
 362/296.01
 4,028,542 A 6/1977 McReynolds, Jr.
 D245,016 S 7/1977 Barr
 4,037,096 A 7/1977 Brengord
 4,078,169 A 3/1978 Armstrong
 4,175,360 A 11/1979 Mulvey
 4,229,782 A * 10/1980 Ruud F21S 6/002
 362/297
 D259,738 S 6/1981 Boschetti
 4,308,573 A * 12/1981 McNamara, Jr. F21V 7/22
 362/297
 D266,578 S 10/1982 Moshier
 D268,287 S 3/1983 Boschetti
 D270,577 S 9/1983 DeVos

4,446,506 A * 5/1984 Larson G03B 15/02
 362/17
 4,531,180 A 7/1985 Hernandez
 4,616,293 A * 10/1986 Baliozian F21V 7/10
 362/16
 4,669,033 A 5/1987 Lee
 D290,662 S 7/1987 Basil
 D300,877 S 4/1989 Cyr
 4,855,884 A 8/1989 Richardson
 4,893,221 A 1/1990 Friedman
 4,933,821 A 6/1990 Anderson
 4,939,629 A 7/1990 Glanton et al.
 D311,597 S * 10/1990 Poot D26/118
 4,970,428 A 11/1990 Hayakawa et al.
 4,980,809 A 12/1990 Baldwin et al.
 D316,301 S * 4/1991 Michael D26/128
 5,065,294 A 11/1991 Poot, Jr.
 5,072,349 A 12/1991 Waniga
 D323,897 S 2/1992 Compton
 5,192,129 A 3/1993 Figueroa
 5,199,784 A 4/1993 Hempleman
 5,253,152 A 10/1993 Yang
 5,353,746 A 10/1994 Del Rosario
 D352,126 S 11/1994 Ruud et al.
 5,440,470 A 8/1995 Ly
 5,457,450 A 10/1995 Deese
 5,461,554 A 10/1995 Leonetti et al.
 D365,159 S * 12/1995 Tinen D25/138
 5,486,737 A 1/1996 Hrubowchak et al.
 5,510,676 A 4/1996 Cottaar et al.
 D373,000 S 8/1996 Brady
 5,568,680 A * 10/1996 Parker B21D 53/883
 29/557
 5,570,947 A 11/1996 Felland
 D376,437 S 12/1996 Karlo
 5,621,267 A 4/1997 Shaffner
 D383,243 S 9/1997 Fry
 5,698,947 A 12/1997 Choi
 5,702,179 A 12/1997 Sidwell
 D396,319 S 7/1998 Sutton
 D399,328 S 10/1998 Compton
 D400,289 S * 10/1998 Wardenburg D26/118
 5,816,694 A * 10/1998 Ideker F21V 7/09
 362/297
 D401,006 S 11/1998 Edwards
 D405,976 S 2/1999 Beall
 5,896,004 A 4/1999 Feldman et al.
 5,924,789 A 7/1999 Thornton
 5,932,955 A 8/1999 Berger et al.
 5,938,317 A 8/1999 Thornton
 D415,304 S 10/1999 Brown
 5,983,564 A 11/1999 Stragnola
 5,987,697 A 11/1999 Song et al.
 5,999,943 A 12/1999 Nori
 D418,626 S 1/2000 Herst
 D419,248 S 1/2000 Lyons
 6,024,468 A 2/2000 Kassay
 6,042,250 A * 3/2000 Stragnola F21V 7/09
 362/285
 6,051,927 A 4/2000 Graser et al.
 6,053,624 A 4/2000 Cronk
 D425,237 S 5/2000 Scott
 D425,652 S * 5/2000 Brok D26/118
 D426,010 S 5/2000 Compton
 6,061,690 A 5/2000 Nori
 6,065,849 A 5/2000 Chen
 6,070,173 A 5/2000 Huber
 6,076,944 A 6/2000 Maranon
 6,079,851 A 6/2000 Altman
 D428,516 S 7/2000 Reo
 6,094,919 A 8/2000 Bhatia
 6,111,739 A 8/2000 Wu et al.
 6,152,579 A 11/2000 Reed et al.
 D439,008 S * 3/2001 Kim D26/118
 6,230,497 B1 5/2001 Morris et al.
 D443,949 S * 6/2001 DiMonte D26/155
 6,247,830 B1 6/2001 Winnett
 D445,943 S 7/2001 Littman
 6,257,735 B1 7/2001 Baar

(56)

References Cited

U.S. PATENT DOCUMENTS

6,267,483 B1	7/2001	Hembery	D633,640 S	3/2011	Wauters	
D447,272 S	8/2001	Smith	D634,060 S	3/2011	Wardenburg	
6,279,012 B1	8/2001	Sexton	D634,240 S	3/2011	Junkeer	
6,299,327 B1	10/2001	Camarota	D634,468 S	3/2011	Hargreaves	
D452,559 S	12/2001	Schonberger	D634,469 S	3/2011	Hargreaves	
6,343,984 B1	2/2002	Langdon et al.	D637,162 S	5/2011	Bridgman	
6,371,630 B1	4/2002	Unger	D637,341 S *	5/2011	Wardenburg	D26/118
D456,927 S	5/2002	Russello	D637,752 S	5/2011	Mekhtarian	
D456,928 S	5/2002	Russello	D640,404 S	6/2011	Chipperfield	
D456,938 S	5/2002	Wardenburg	7,959,331 B2	6/2011	Ho	
D459,825 S	7/2002	Field	7,972,044 B2	7/2011	Burkhauser	
6,488,387 B2	12/2002	Wardenburg	D644,185 S *	8/2011	Hargreaves	D13/152
D469,564 S	1/2003	Brok	7,987,632 B2	8/2011	May et al.	
6,527,422 B1	3/2003	Hutchison	8,018,630 B2	9/2011	Herloski	
6,548,948 B1	4/2003	Muessli	8,038,318 B2	10/2011	Plunk	
6,595,662 B2	7/2003	Wardenburg	D648,652 S	11/2011	Hawkins	
6,601,972 B2	8/2003	Sei et al.	D649,685 S	11/2011	Trzesniowski	
6,658,652 B1	12/2003	Alexander	D650,515 S *	12/2011	Bradley, Jr.	D26/118
6,679,619 B2	1/2004	Saieva	D650,935 S	12/2011	Beghelli	
D486,593 S	2/2004	Griffin	8,113,696 B2	2/2012	Striebel	
6,688,759 B1	2/2004	Hadjimichael	D655,403 S	3/2012	Zakula	
6,729,383 B1	5/2004	Cannell et al.	D657,748 S *	4/2012	Hargreaves	D13/156
6,783,263 B1	8/2004	Cronk	D660,252 S *	5/2012	Hargreaves	D13/156
D499,505 S	12/2004	Benensohn	D661,833 S	6/2012	Imajo	
D504,343 S	4/2005	Ek	8,209,912 B2	7/2012	Hargreaves et al.	
6,885,134 B2	4/2005	Kurashima et al.	8,215,799 B2 *	7/2012	Vanden Eynden	F21V 15/01 362/218
6,908,212 B2	6/2005	Schultz	D668,370 S	10/2012	Guercio	
7,011,424 B1	3/2006	Poulson	D671,259 S	11/2012	Chen	
7,083,309 B2	8/2006	Chan	D672,908 S	12/2012	Wilcox	
7,131,753 B1	11/2006	Edwards, Jr.	D673,324 S *	12/2012	Mayfield, III	D26/120
7,156,539 B2	1/2007	Cronk	8,334,640 B2	12/2012	Reed et al.	
7,175,309 B2	2/2007	Craw et al.	D675,369 S *	1/2013	Michaud	D26/118
D542,460 S	5/2007	Hargreaves	8,348,481 B2	1/2013	Chang	
D543,652 S	5/2007	Hargreaves	D675,772 S	2/2013	Tran	
D543,654 S	5/2007	Hargreaves	8,371,726 B2	2/2013	Collins et al.	
D543,655 S	5/2007	Hargreaves	D678,597 S	3/2013	Lehman	
7,213,948 B2	5/2007	Hein	D678,599 S	3/2013	Boyer et al.	
D544,136 S *	6/2007	Hargreaves	D683,064 S	5/2013	Tuck	
D544,138 S	6/2007	Hargreaves	8,505,224 B2	8/2013	Huang	
D544,139 S	6/2007	Hargreaves	D689,238 S	9/2013	Halsey	
D544,626 S	6/2007	Hargreaves	D690,875 S *	10/2013	McKenzie	D26/118
D544,983 S	6/2007	Hargreaves	D693,959 S	11/2013	Boyer	
D544,984 S	6/2007	Hargreaves	D697,663 S *	1/2014	Speier	D26/118
D544,985 S	6/2007	Hargreaves	D698,075 S	1/2014	Klus	
D544,987 S	6/2007	Hargreaves	D698,986 S *	2/2014	Reynolds	D26/118
D544,994 S	6/2007	Hargreaves	D698,987 S	2/2014	Stanley	
D544,995 S	6/2007	Hargreaves	D702,827 S	4/2014	Mase	
D545,460 S	6/2007	Mason, II	8,702,283 B2	4/2014	Bradley	
D545,484 S	6/2007	Hargreaves	D705,474 S	5/2014	Philips	
D545,485 S	6/2007	Hargreaves	D705,974 S	5/2014	Blessitt	
D545,990 S	7/2007	Hargreaves	8,723,086 B2	5/2014	McMahan	
D545,994 S	7/2007	Hargreaves	D707,385 S	6/2014	Wardenburg	
D545,996 S	7/2007	Hargreaves	D708,390 S	7/2014	Roos	
D549,869 S *	8/2007	Ward	D710,528 S	8/2014	Wardenburg	
7,360,927 B2	4/2008	Oka	8,801,235 B2	8/2014	Yurich	
D569,024 S	5/2008	Redfern	D713,953 S	9/2014	Jepson	
D572,858 S	7/2008	Santoro	D714,988 S	10/2014	Park	
7,445,363 B2	11/2008	Vanden Eynden	D715,994 S	10/2014	Klus	
7,524,090 B2	4/2009	Hargreaves	D717,487 S *	11/2014	Guzzini	D26/118
7,534,011 B2	5/2009	Townsley	D720,488 S	12/2014	Toyohisa	
D602,625 S *	10/2009	Santoro	D720,505 S	12/2014	Kersten	
D603,087 S	10/2009	Mo et al.	D720,876 S	1/2015	Haverfield	
7,617,057 B2	11/2009	May et al.	D721,844 S	1/2015	Lay	
D605,342 S	12/2009	Chung	D722,654 S	2/2015	Martone	
D608,490 S	1/2010	Chung	D725,819 S	3/2015	Reynolds	
7,641,367 B2	1/2010	Hargreaves et al.	D725,820 S	3/2015	Hargreaves	
7,654,702 B1	2/2010	Ding	8,967,821 B2 *	3/2015	Pickard	362/240
D614,801 S	4/2010	Collins et al.	D726,359 S	4/2015	Grigore	
7,722,228 B2	5/2010	Broer	8,998,473 B1 *	4/2015	Anderson	A01G 7/045 362/253
D617,028 S	6/2010	Verfuert et al.	9,016,892 B1	4/2015	Scribante	
D620,190 S	7/2010	Chung	9,016,907 B2	4/2015	Stanley	
7,771,086 B2	8/2010	Goverde	D728,848 S	5/2015	Reyes	
D628,335 S *	11/2010	Hyland	D729,435 S	5/2015	Arndt	
7,854,534 B2	12/2010	Liu	D730,556 S	5/2015	Toyohisa	
D632,419 S	2/2011	Ng	D731,103 S	6/2015	Wilke	
			D731,701 S *	6/2015	Hargreaves	D26/118
			D732,233 S *	6/2015	Reynolds	D26/118

(56)

References Cited

U.S. PATENT DOCUMENTS

D732,234 S 6/2015 Rashidi Doust
D732,235 S * 6/2015 Reynolds D26/118
D732,236 S * 6/2015 Reynolds D26/118
D733,347 S 6/2015 Dungan
D733,952 S 7/2015 Lay
D733,960 S 7/2015 Howe
D734,534 S 7/2015 Howe
D735,391 S 7/2015 Blessitt
D735,401 S * 7/2015 Clements D26/120
D736,450 S * 8/2015 Reynolds D26/118
D737,498 S * 8/2015 Stanley D26/118
D739,595 S 9/2015 Reynolds
D740,486 S * 10/2015 Stanley D26/118
D740,996 S * 10/2015 Tragatschnig D26/118
D745,993 S * 12/2015 Reynolds D26/118
D747,029 S * 1/2016 Reynolds D26/118
D747,538 S * 1/2016 Hargreaves D26/118
D747,825 S * 1/2016 Reynolds D26/118
D748,849 S * 2/2016 Stanley D26/118
D750,312 S * 2/2016 Reynolds D26/118
D750,313 S 2/2016 Reynolds
D750,316 S * 2/2016 Reynolds D26/118
D750,831 S * 3/2016 Clements D26/120
D751,245 S * 3/2016 Stanley D26/118
D751,247 S * 3/2016 Reynolds D26/118
D756,023 S * 5/2016 Hoffer D26/118
D757,323 S * 5/2016 Reynolds D26/72
D757,326 S * 5/2016 Reynolds D26/76
D757,346 S * 5/2016 Stanley D26/118
9,366,947 B2 * 6/2016 Miyata F21V 29/02
2002/0073285 A1 6/2002 Butterworth
2002/0141195 A1 * 10/2002 Peter A01G 7/045
362/362
2003/0031011 A1 2/2003 Miller
2003/0191783 A1 10/2003 Wolczko
2004/0240214 A1 * 12/2004 Whitlow F21V 33/0088
362/373
2005/0117333 A1 6/2005 Yoshida
2005/0160481 A1 7/2005 Todd
2006/0231081 A1 10/2006 Kirakosyan
2006/0232984 A1 10/2006 Schuknecht
2006/0282457 A1 12/2006 Williams
2007/0051321 A1 3/2007 Chang
2007/0070633 A1 3/2007 Eynden
2007/0228993 A1 10/2007 Stuer et al.
2007/0246631 A1 10/2007 Brown
2007/0282806 A1 12/2007 Hoffman
2008/0059799 A1 3/2008 Scarlata
2008/0117617 A1 5/2008 Hargreaves et al.
2008/0205030 A1 8/2008 Hargreaves
2008/0205071 A1 8/2008 Townsley
2008/0212326 A1 9/2008 Chon
2008/0278950 A1 11/2008 Pickard et al.
2008/0278957 A1 * 11/2008 Pickard F21S 8/02
362/373
2009/0116250 A1 * 5/2009 Hargreaves F21V 19/0075
362/373
2009/0231840 A1 9/2009 Boehme et al.
2009/0262540 A1 10/2009 Hargreaves et al.
2009/0276478 A1 11/2009 Soman
2009/0310373 A1 12/2009 Burkhauser
2009/0323335 A1 12/2009 Yang
2010/0214789 A1 8/2010 Hawkes
2010/0238661 A1 9/2010 Pfund
2010/0277908 A1 11/2010 Hu
2010/0277929 A1 * 11/2010 Hargreaves A01G 9/26
362/368
2010/0302768 A1 12/2010 Collins et al.
2011/0169412 A1 7/2011 Yurich
2011/0203096 A1 * 8/2011 Hargreaves A01G 7/045
29/428
2011/0259665 A1 10/2011 Morgan
2012/0212883 A1 * 8/2012 Hargreaves H05K 5/04
361/679.01

2012/0230035 A1 9/2012 Bradley, Jr. et al.
2013/0083539 A1 4/2013 Dimitriadis
2013/0155685 A1 6/2013 Stanley
2013/0242573 A1 9/2013 Petsoki
2013/0250567 A1 9/2013 Edmond
2014/0378283 A1 12/2014 Qiu
2015/0023022 A1 * 1/2015 Stanley A01G 7/045
362/294
2015/0098215 A1 4/2015 Torabifard
2015/0252992 A1 9/2015 Stanley
2015/0252993 A1 9/2015 Stanley
2015/0252994 A1 9/2015 Stanley

FOREIGN PATENT DOCUMENTS

EP 0325003 A1 7/1989
EP 0440274 A1 8/1991
WO 02063210 A2 8/2002
WO 2008018000 A1 2/2008
WO 2009096775 A2 8/2009
WO 2011119451 A1 9/2011

OTHER PUBLICATIONS

2009-10-watt-light-set—TinEye, image post date May 23, 2012, site visited Jul. 8, 2016, (online), <<https://www.tineye.com/search/2de39cf51f7a031139a80ce555e2f30d0abd5216/>>.*
Square 10 Watt Led Grow Light, image post date Aug. 1, 2011, site visited Jul. 8, 2016, (online), <<http://www.dhgate.com/store/product/hydroponic-vegetable-10-watt-led-grow-light/216755031.html>>.*
Air Resistance: Distinguishing Between Laminar and Turbulent Flow, www.docstoc.com, Dec. 29, 2010, p. 1-6.
Sun Systems LEC 630 Light Emitting Ceramic Fixture, Spec Sheet for 906217—Sun System LEC 630 120 Volt w/3100 K Lamps, www.sunlightsupply.com/shop/bycategory/led-lighting/sun-system-lec-630-light-emitting-ceramic-fixture, online, updated Feb. 9, 2015. Site visited Mar. 30, 2015, p. 1.
Mohri, Mineko, International Preliminary Report on Patentability for PCT/US2014/014959, Jan. 19, 2016.
A3V Reflector, Titaness Light Shop, www.titanesslightshop.com/products-page/reflectors/a3v-reflector, online. Site visited Jan. 14, 2015.
G2V Grow Light Reflector, Titaness Light Shop, www.titanesslightshop.com/products-page/reflectors/g2v-grow-light-reflector, online. Site visited Jan. 14, 2015.
Apollo Horticulture GLRCTAC 6" Air Cool Tube Grow Light Deluxe Glass Cylinder with Hood Reflector, image post date Oct. 15, 2010, site visited Oct. 3, 2014, (online), <http://www.amazon.com/apollo-horticulture-glrectac-cylinder-reflector/dp/b003qkvv04/ref=pd_sbs_lg_5?ie=utf8&refrid=1y9v9qhh4n5vnctjmfr>.*
Apollo Horticulture GLRLS24 6" Air Cooled Hydroponic Grow Light Glass Reflector Hood, image post date Oct. 15, 2010, site visited Oct. 3, 2014, (online), <http://www.amazon.com/apollo-horticulture-GLRLS24-hydroponic-reflector/dp/B00BMVK8HG/ref=cm_cd_ql_qh_dp_i>.*
Adjustable Reflector, image post date Apr. 23, 2012, site visited Sep. 23, 2015, http://web.archive.org/web/2012043260757/http://hydroponics-products.en.alibaba.com/product/519225678-213056444/adjustable_reflector_grow_light_hydroponics_greenhouse_horticulture_reflector_hood.html.
Agrotech Magnum Reflector, image post date Feb. 5, 2012, site visited Oct. 31, 2014, www.hydroponics.net//136580.
Cree CR22, image post date Apr. 28, 2011, site visited Nov. 15, 2014, <http://ledsmagazine.com/content/dam/leds/migrated/objects/news/8/4/19/cree204272011.jpg>.
ZR series High Efficacy Troffer, image post date Apr. 13, 2012, site visited Oct. 31, 2014, www.cree.com/lighting/products.
Grow Lights Home Depot: Find many types of grow lights for your plant, published Dec. 22, 2012, online. Site visited May 25, 2014. [Http://besthomedecorfurniture.com/gardening-décor/grow-lights-home-depot-few-things-to-consider-when-buying-grow-lighting-plants-online.html](http://besthomedecorfurniture.com/gardening-décor/grow-lights-home-depot-few-things-to-consider-when-buying-grow-lighting-plants-online.html).

(56)

References Cited

OTHER PUBLICATIONS

LED Grow Light Comparison Test Review, Youtube.com, published Jun. 29, 2012, online. Site visited Jun. 25, 2014. www.youtube.com/watch?v=f-8oy0qbgrs.

Illuminator Pro-Series Hybrid 350W, wordpress.com, published Dec. 22, 2010, online, site visited Jun. 25, 2014. <http://growsetup.wordpress.com/category/grow-lights/>.

California Lightworks New SolarStorm 440W LED Grow Light with UVB, hydrobuilder.com, online. Site visited Jun. 25, 2014. http://hydrobuilder.com/solarstorm-440w-led-grow-light-with-uvb.html?dzid=strands_CLW-SS-440.

2013 Sunlight Supply Cataog, Issuuu.com, published Aug. 1, 2013, online. Site visited Feb. 2, 2015. http://issuu.com/sunlightsupply/docs/2013_sunlightproductcatalog/49.

Pages 29 and 54 from 2014-2015 dealer catalog showing and describing Super Sun DE reflector published by Sunlight Supply, Inc. 2014.

Dominator XXXL Non AC Reflector pack of 3 Spec Sheet, GreenTreesHydroponics.com, date available Mar. 12, 2014, online. Site visited Feb. 3, 2015, <https://www.hydroponics.net/i/141477>.

* cited by examiner

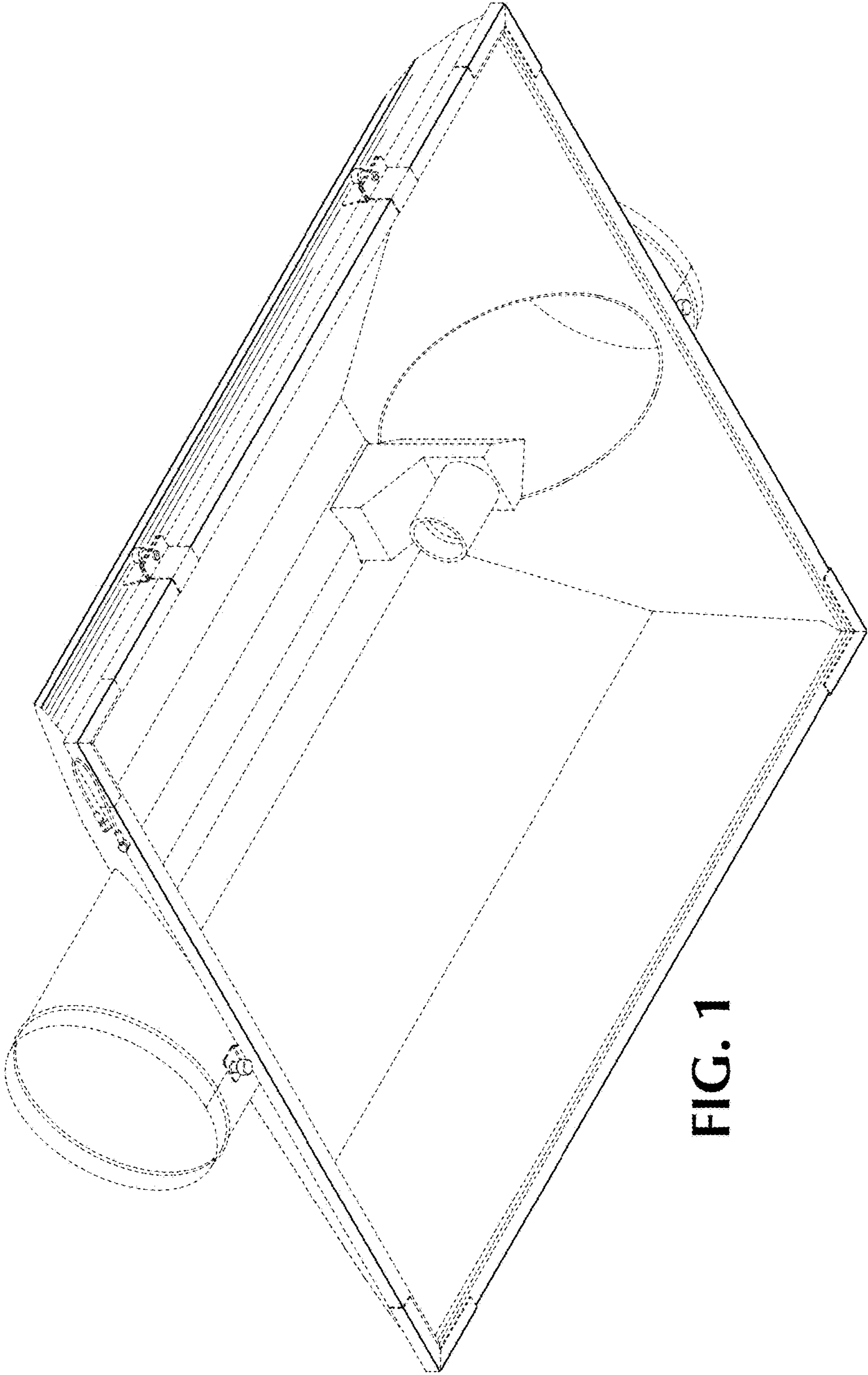


FIG. 1

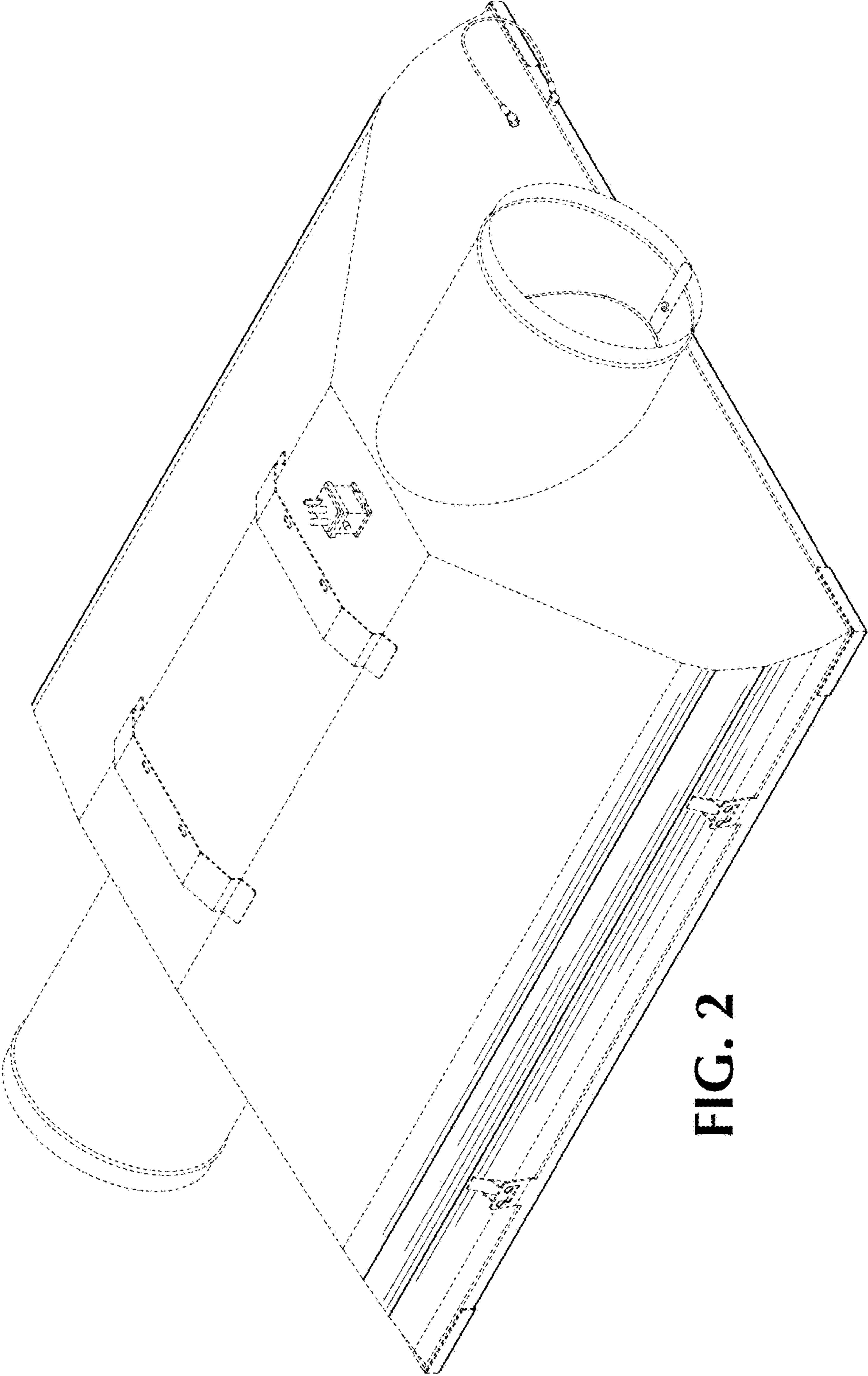


FIG. 2

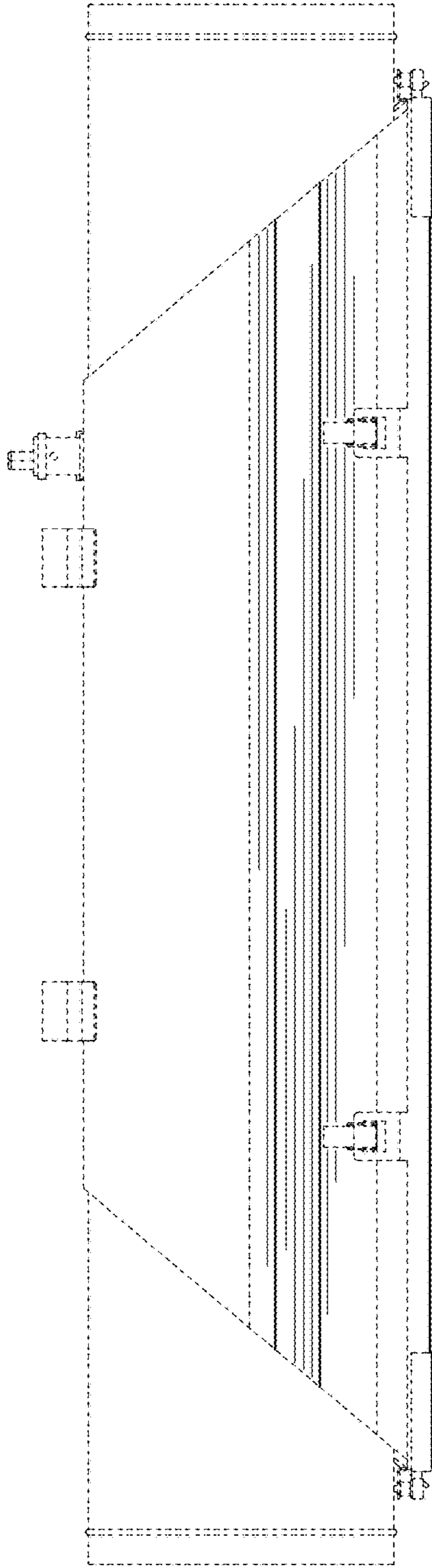


FIG. 3

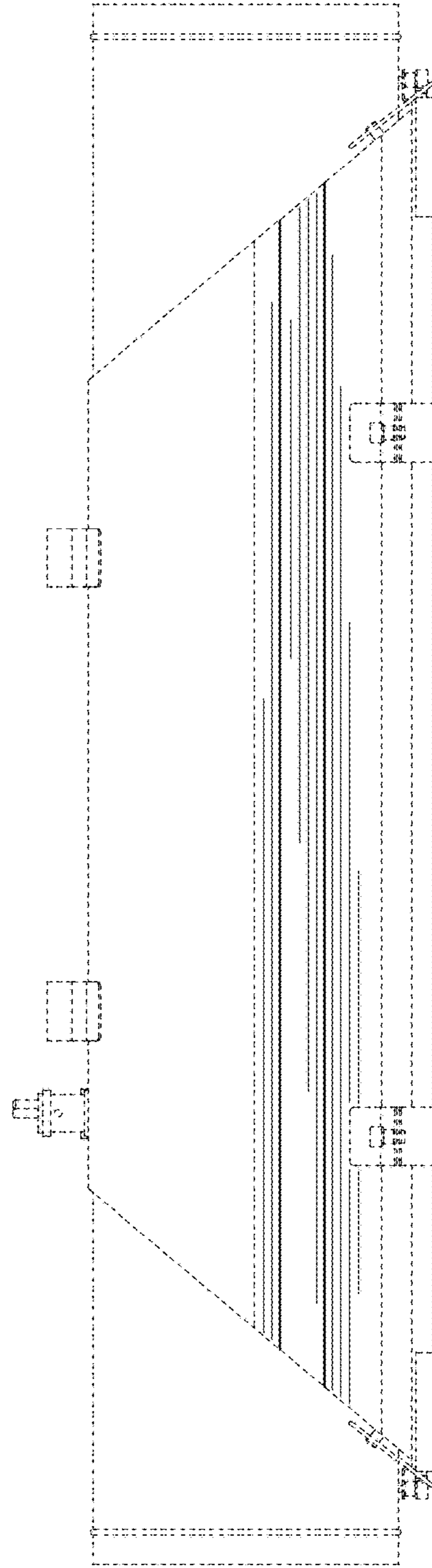


FIG. 4

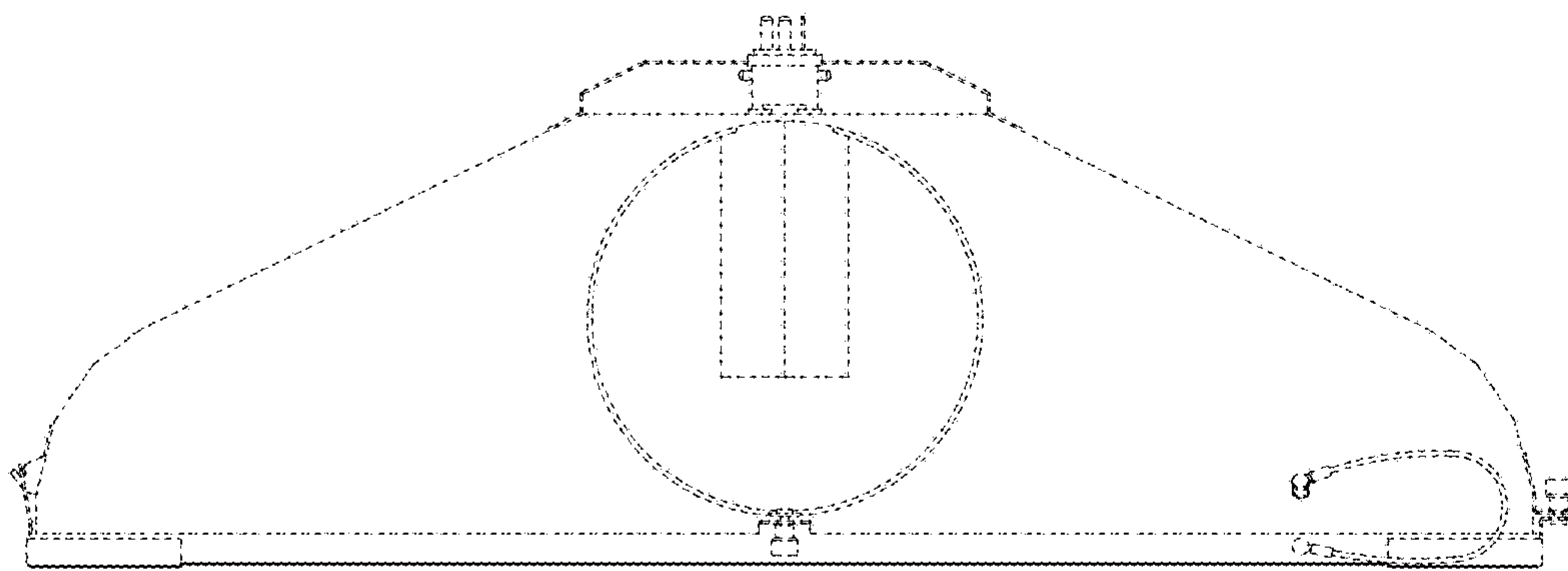


FIG. 5

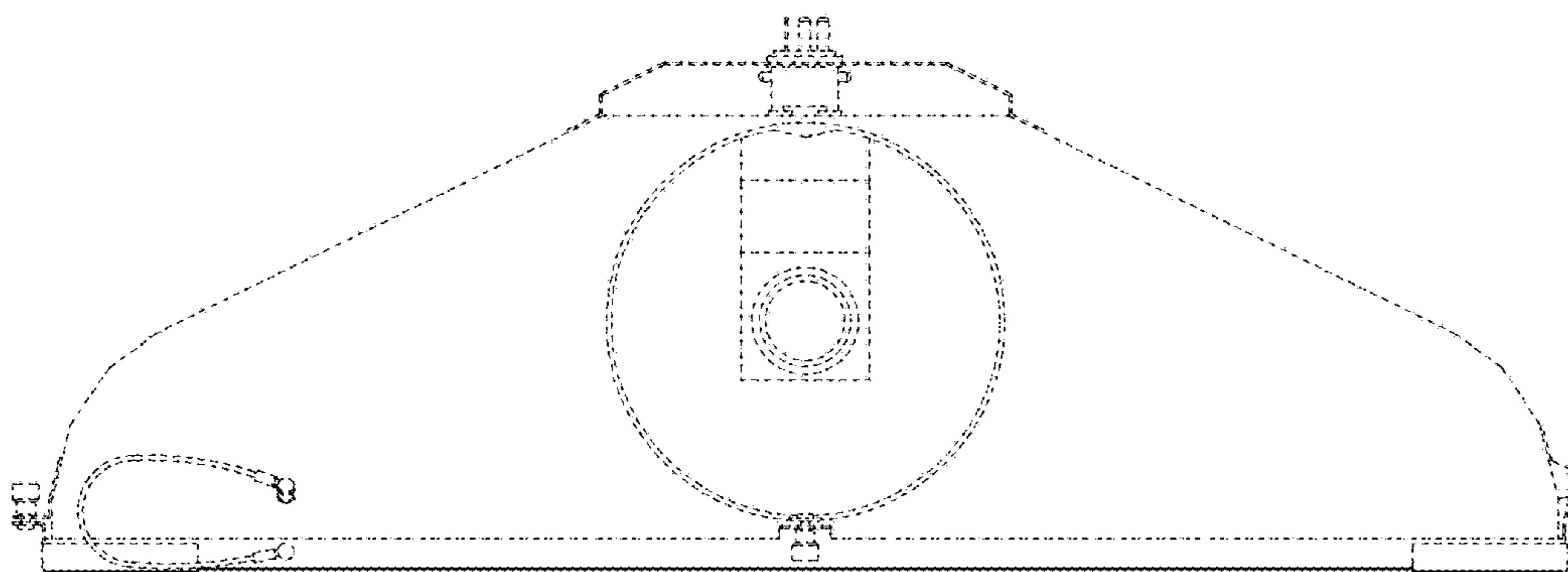


FIG. 6

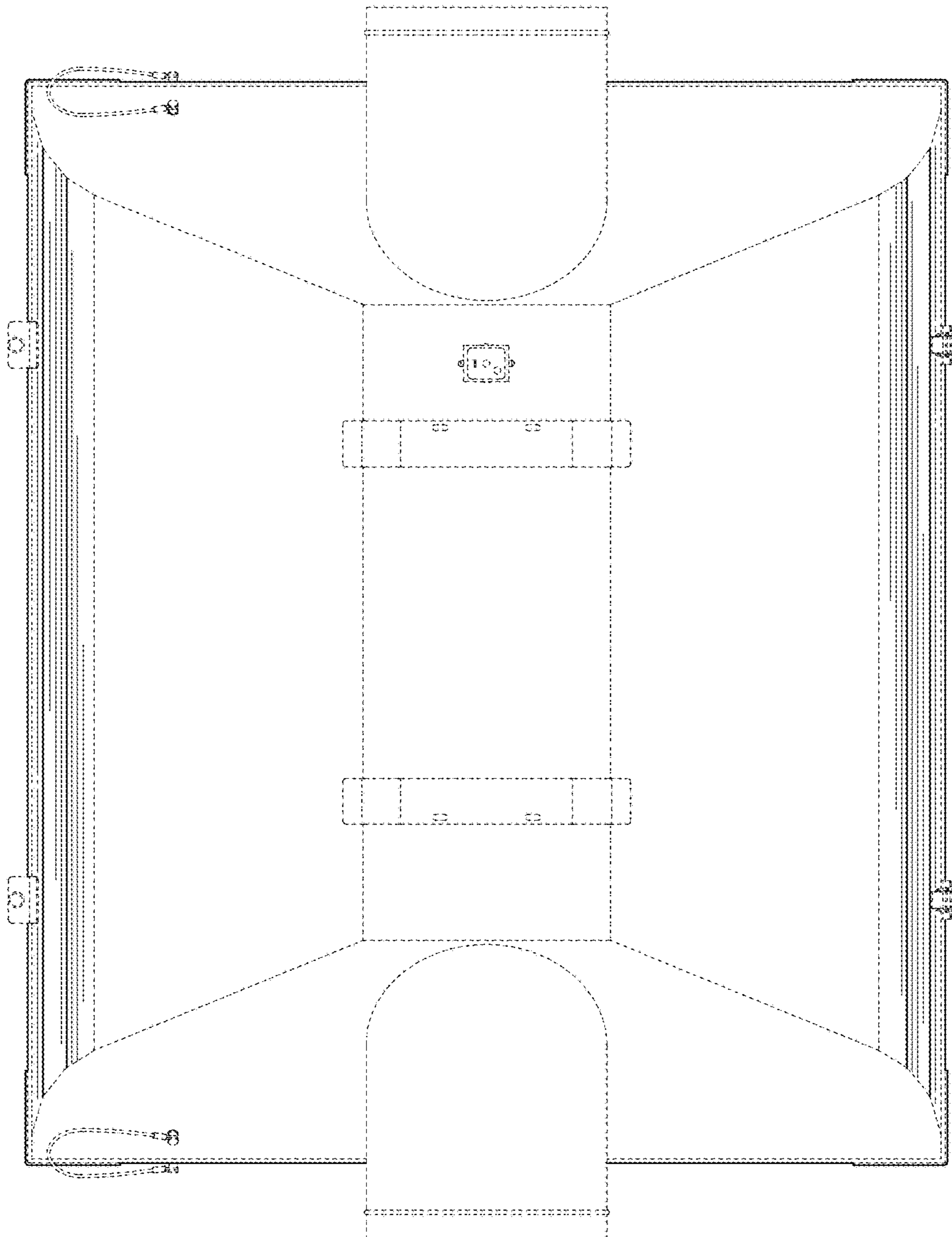


FIG. 7

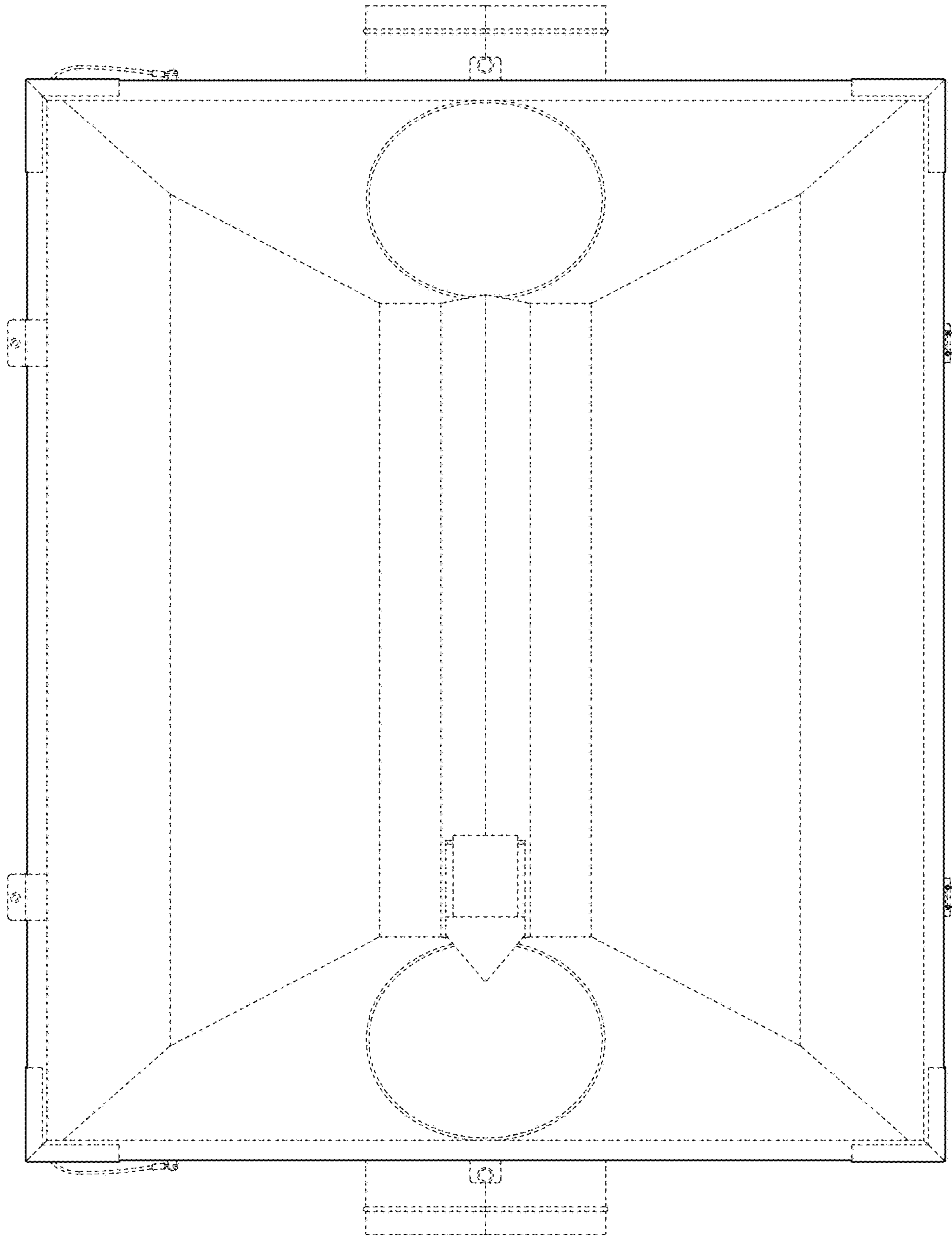


FIG. 8