



US00D775759S

(12) **United States Design Patent**
Clarke

(10) **Patent No.:** **US D775,759 S**
(45) **Date of Patent:** **** Jan. 3, 2017**

(54) **SOLAR CANDLE**

(71) Applicant: **As Seen on PC, Inc.**, Fairfield, CT (US)

(72) Inventor: **Curtis Allen Clarke**, Fairfield, CT (US)

(73) Assignee: **As Seen On PC, Inc.**, Fairfield, CT (US)

(**) Term: **15 Years**

(21) Appl. No.: **29/535,020**

(22) Filed: **Aug. 3, 2015**

(51) **LOC (10) Cl.** **26-03**

(52) **U.S. Cl.**
USPC **D26/96**

(58) **Field of Classification Search**
USPC D26/4, 5, 6, 7, 9, 96
CPC F21S 6/00; F21S 6/001; F21S 10/04;
F21S 10/10; F21S 10/043; F21S 8/08; F21S 48/115; F21V 21/00; F21V 35/00; F21W 2121/00; C11C 5/002; C11C 5/004
See application file for complete search history.

(56) **References Cited**

U.S. PATENT DOCUMENTS

D267,981 S *	2/1983	Montague, Jr.	D26/96
D299,556 S *	1/1989	Marshbanks	D26/96
D320,864 S *	10/1991	Boschetto	D26/96
D432,258 S *	10/2000	Fussell	D26/96
D527,484 S *	8/2006	Fussell	D26/96
D639,493 S *	6/2011	Goldy	D26/96

* cited by examiner

Primary Examiner — Brian N Vinson

(74) *Attorney, Agent, or Firm* — Ziegler IP Law Group, LLC

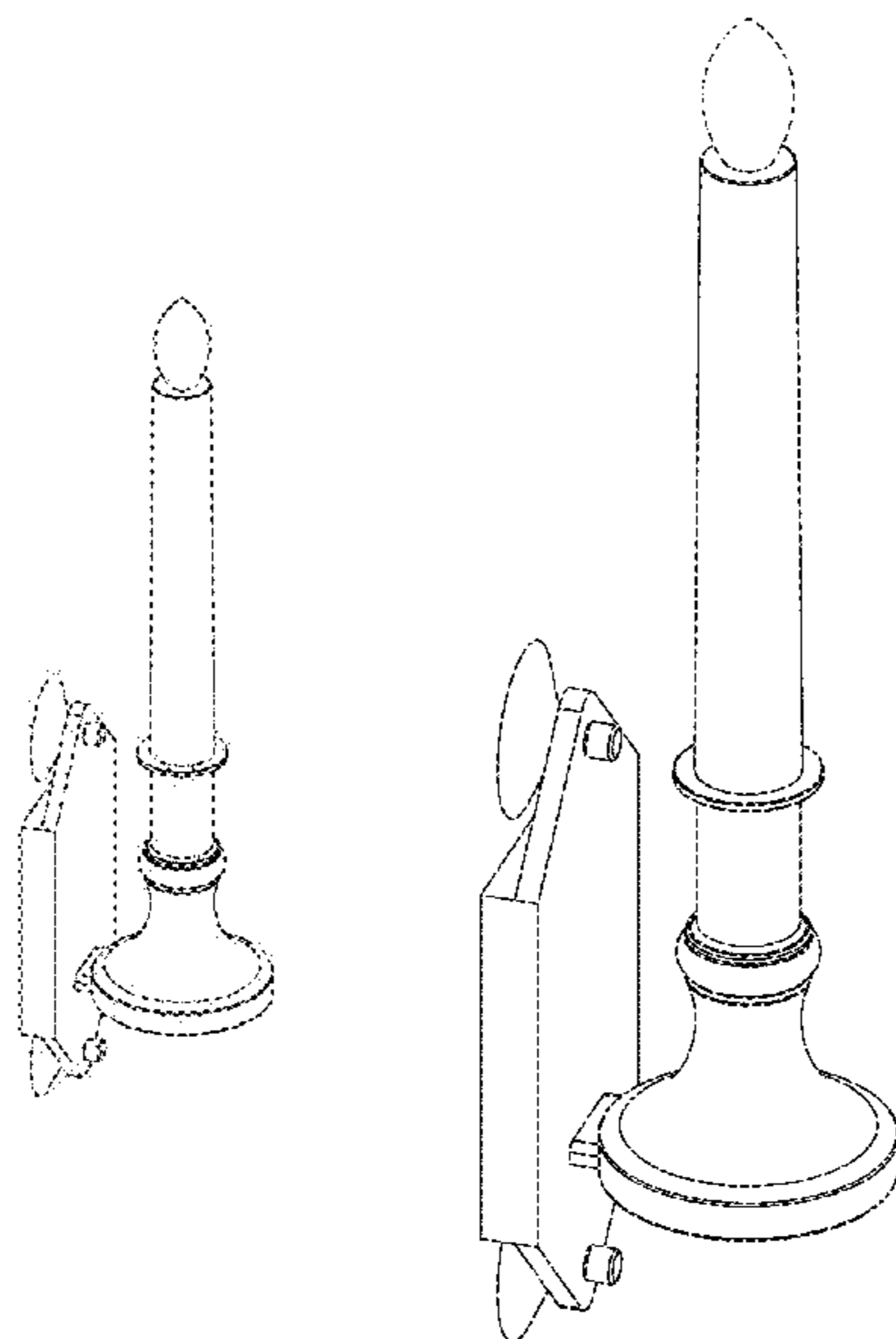
(57) **CLAIM**

The ornamental design for a solar candle, as shown and described.

DESCRIPTION

FIG. 1 is a perspective view of an embodiment of the solar candle of the subject disclosure;
 FIG. 2 is a top plan view of the solar candle shown in FIG. 1;
 FIG. 3 is a bottom plan view of the solar candle shown in FIG. 1;
 FIG. 4 is a front elevation view of the solar candle shown in FIG. 1;
 FIG. 5 is a back elevation view of the solar candle shown in FIG. 1;
 FIG. 6 is a side elevation view of the solar candle shown in FIG. 1; and
 FIG. 7 is a side elevation view of the solar candle of FIG. 1, shown from the side opposite that shown in FIG. 6.
 FIG. 8 is a perspective view of another embodiment of the solar candle of the subject disclosure;
 FIG. 9 is a top plan view of the solar candle shown in FIG. 8;
 FIG. 10 is a bottom plan view of the solar candle shown in FIG. 8;
 FIG. 11 is a front elevation view of the solar candle shown in FIG. 8;
 FIG. 12 is a back elevation view of the solar candle shown in FIG. 8;
 FIG. 13 is a side elevation view of the solar candle shown in FIG. 8; and,
 FIG. 14 is a side elevation view of the solar candle of FIG. 8, shown from the side opposite that shown in FIG. 13.
 The broken lines showing are for illustrative purposes only and do not form part of the claimed design.

1 Claim, 14 Drawing Sheets



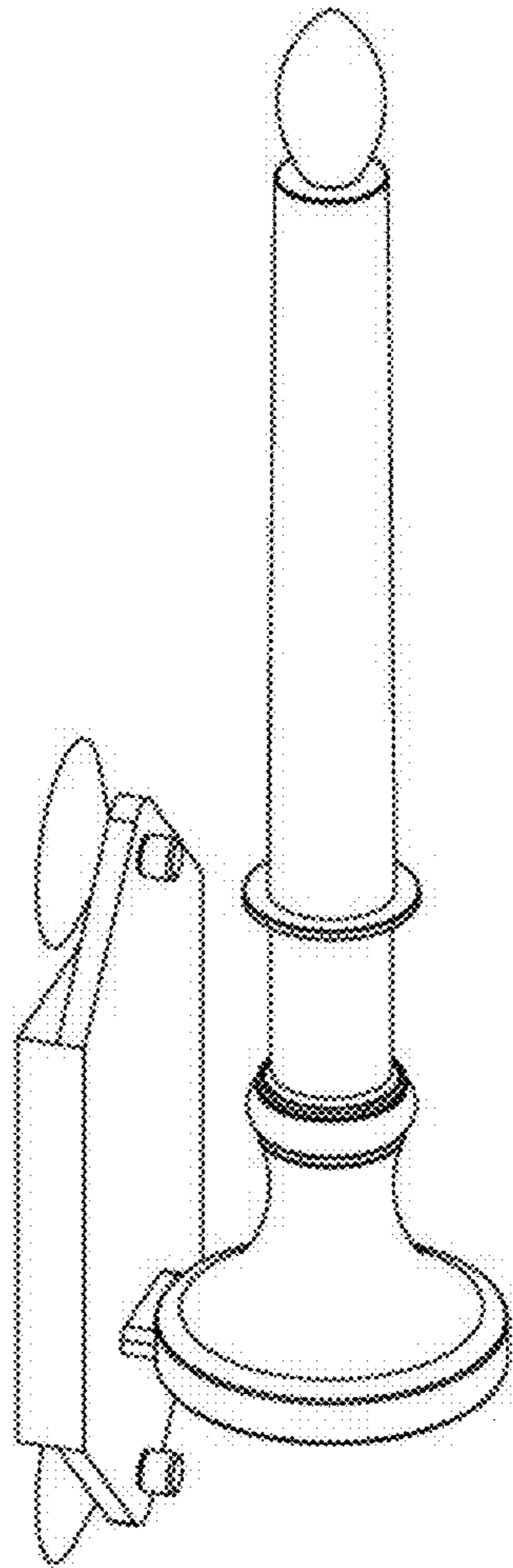


Fig. 1

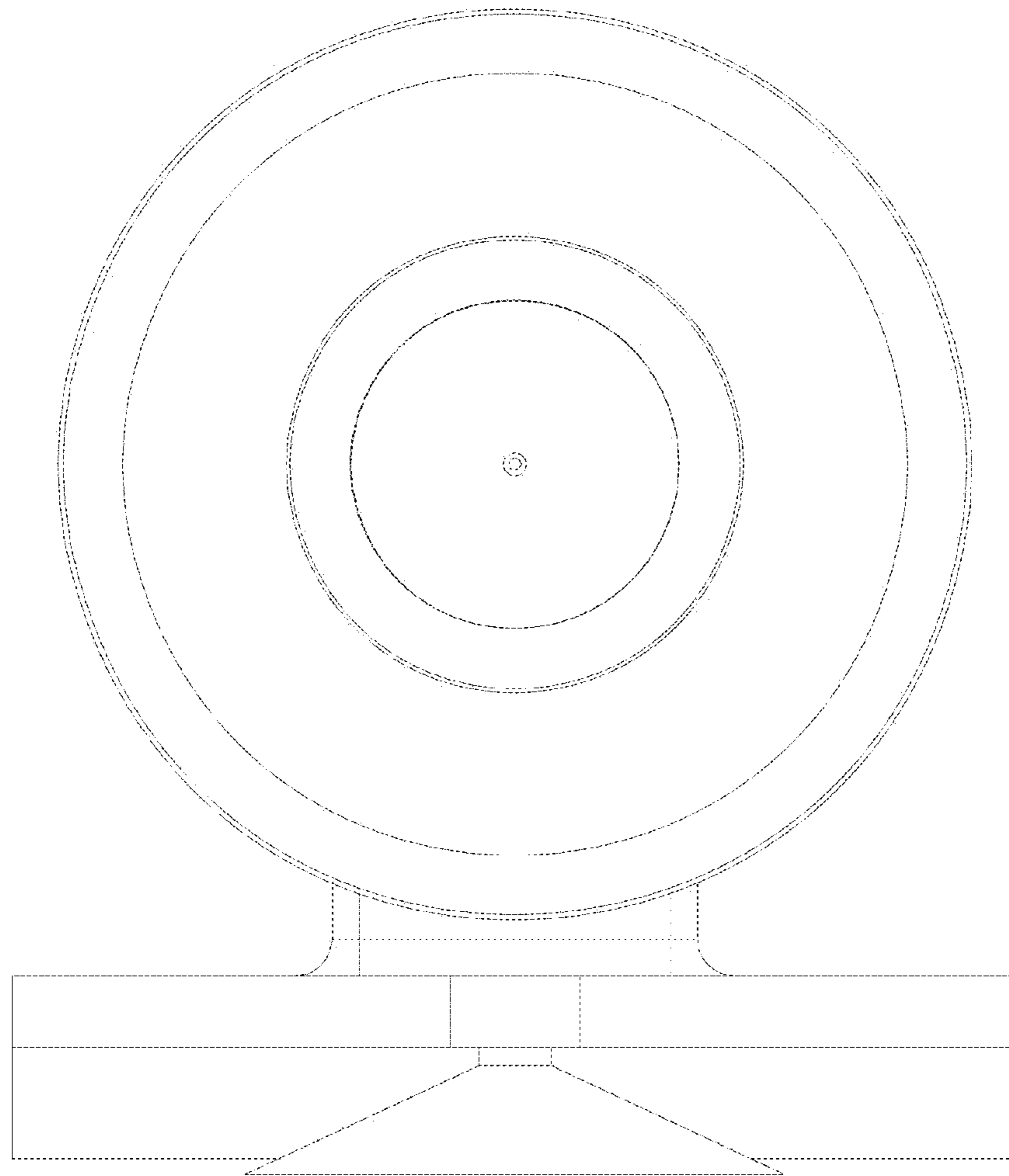


Fig. 2

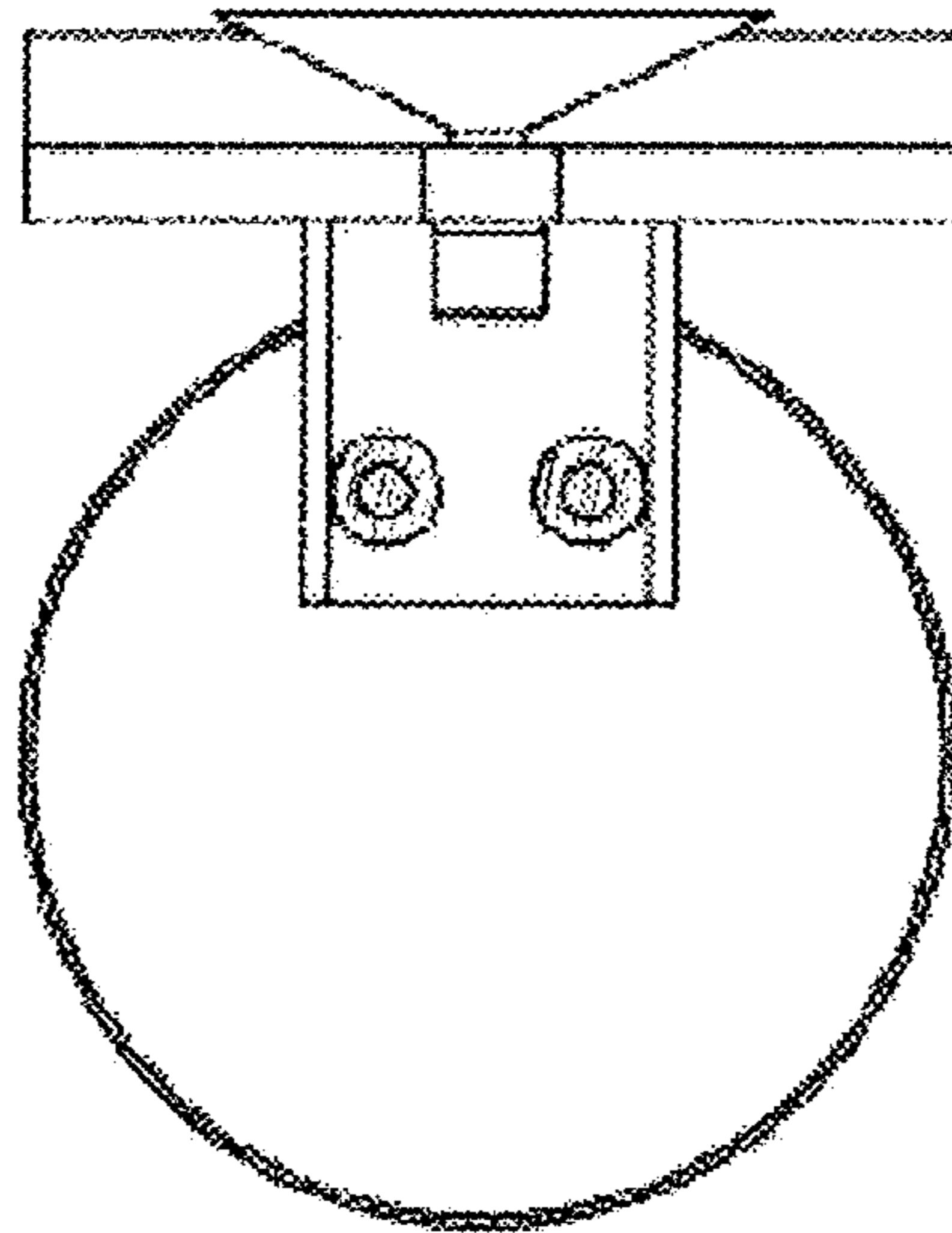


Fig. 3

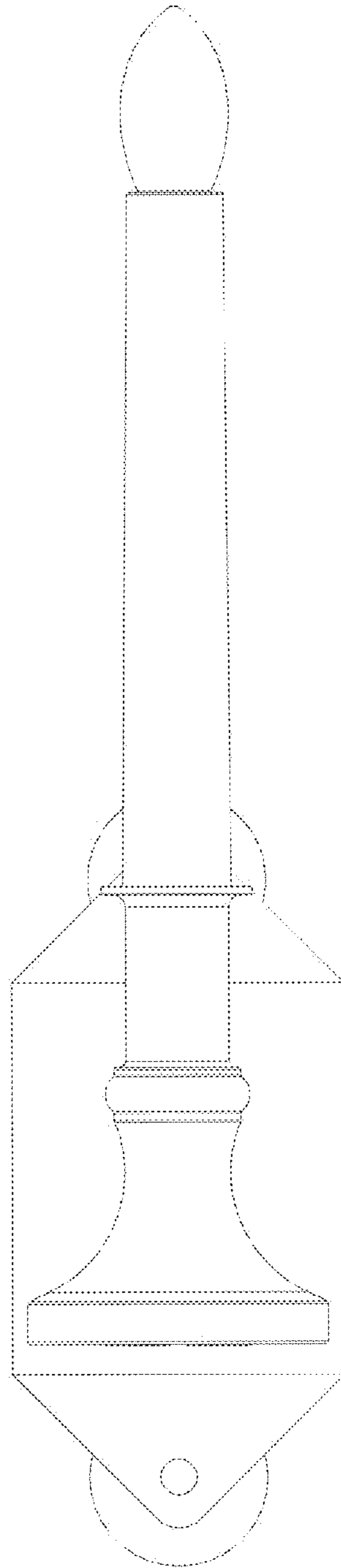


Fig. 4

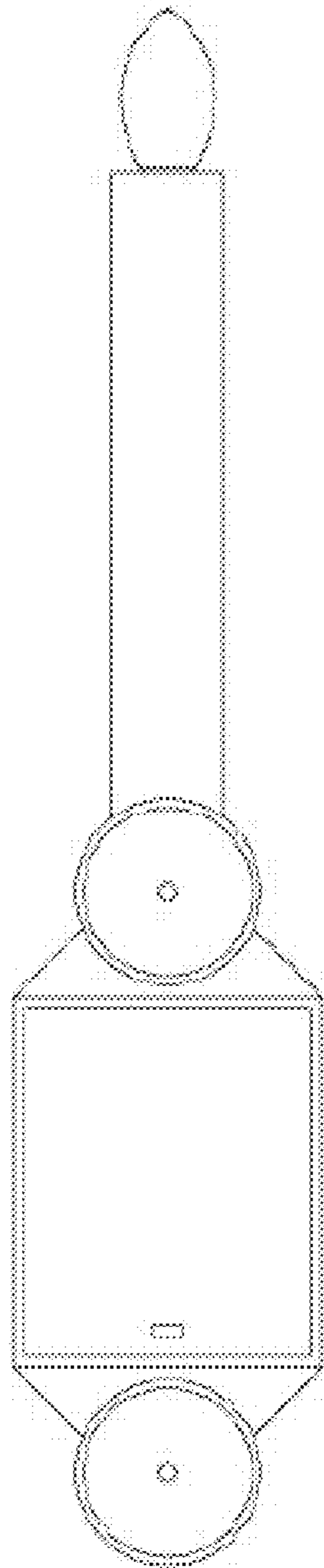


Fig. 5

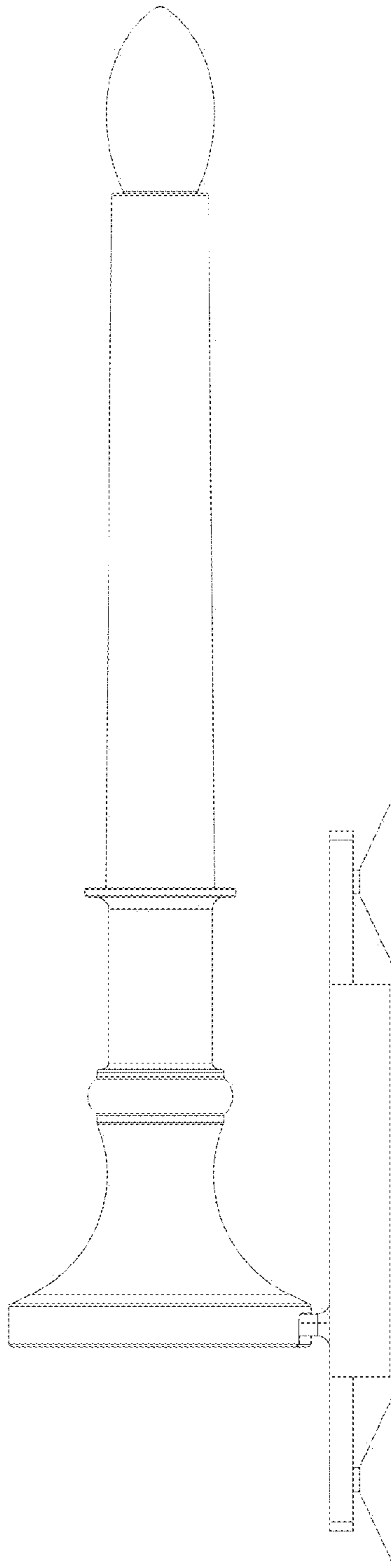


Fig. 6

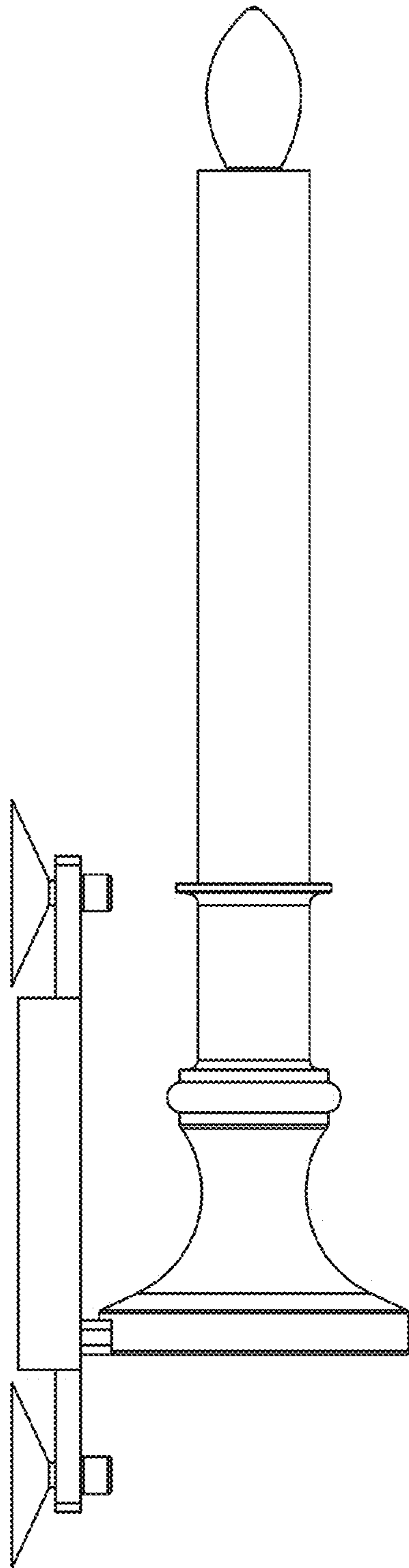


Fig. 7

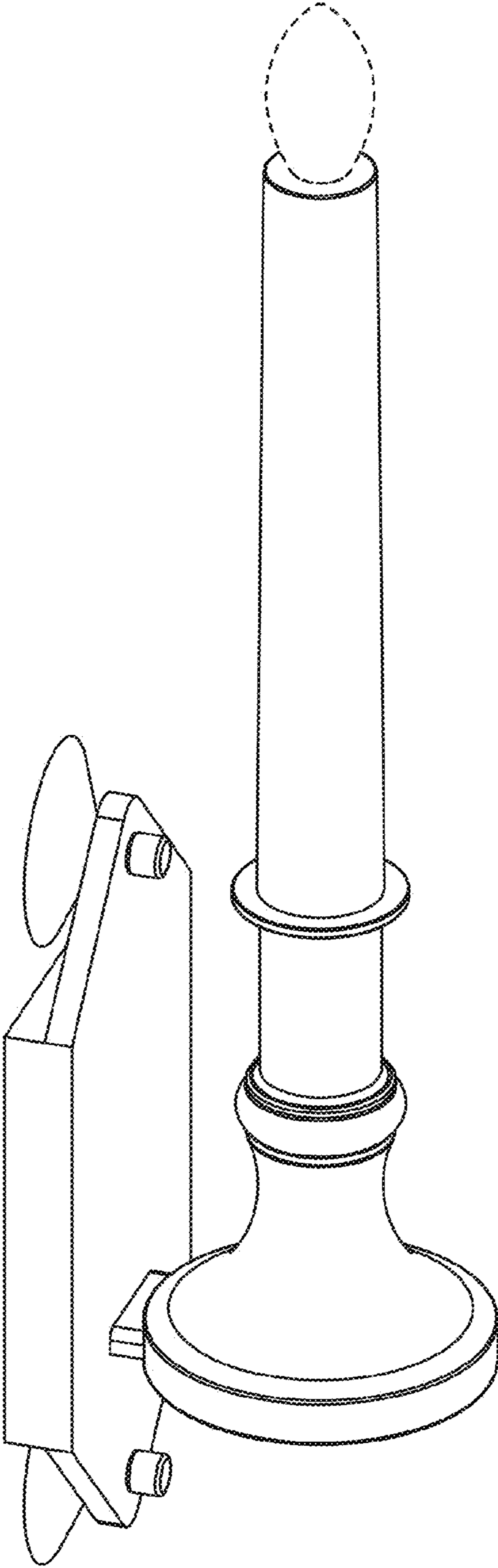


Fig. 8

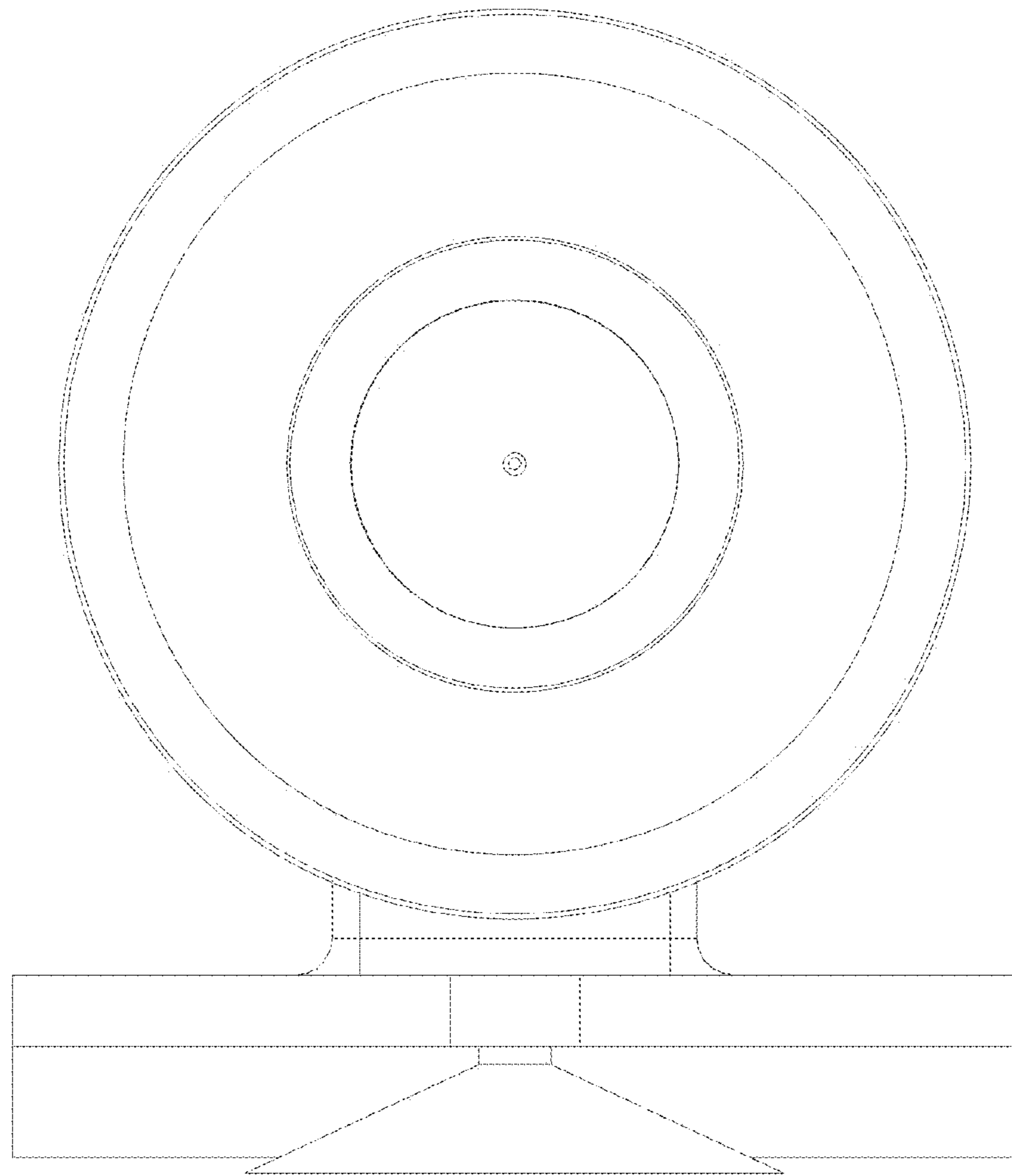


Fig. 9

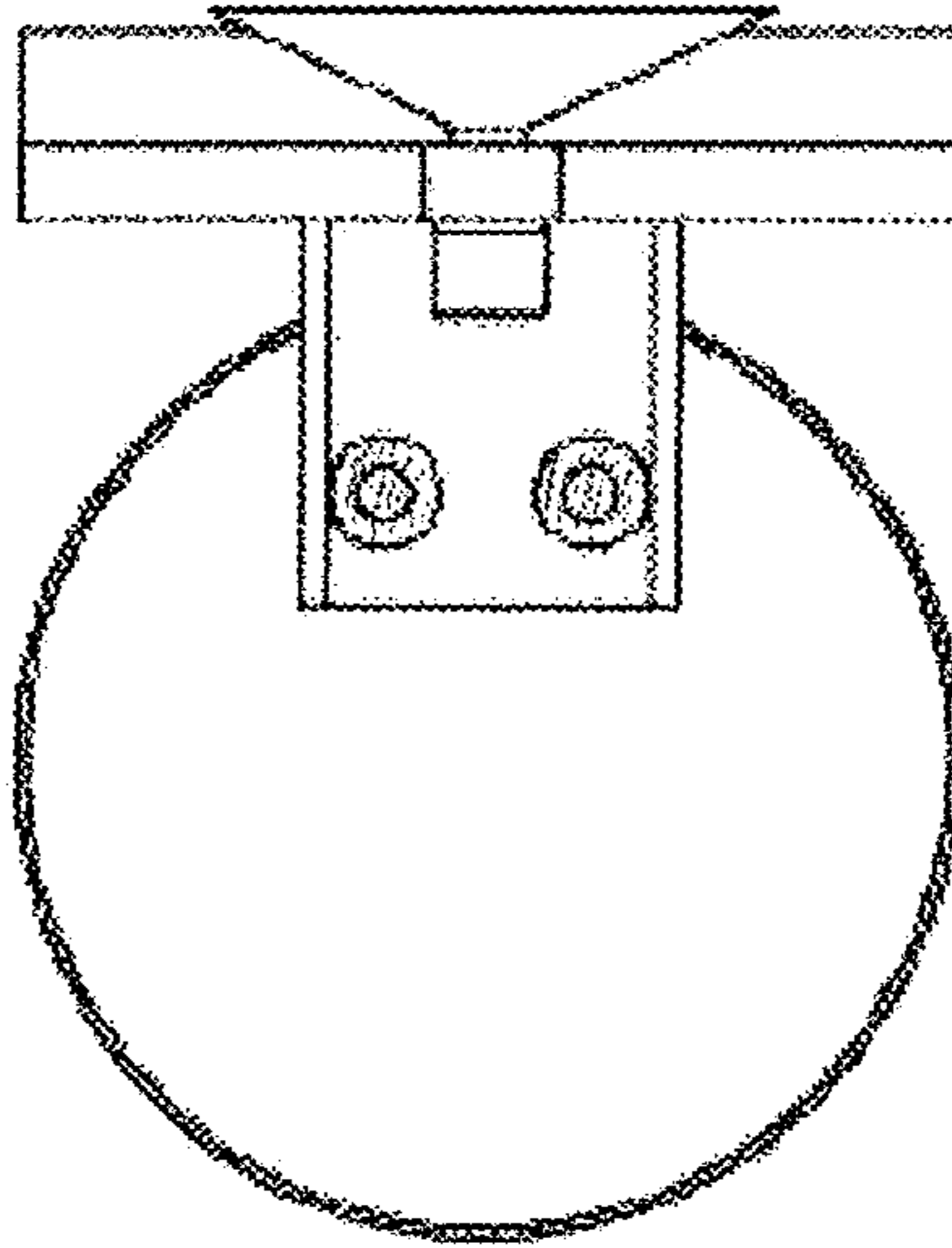


Fig. 10

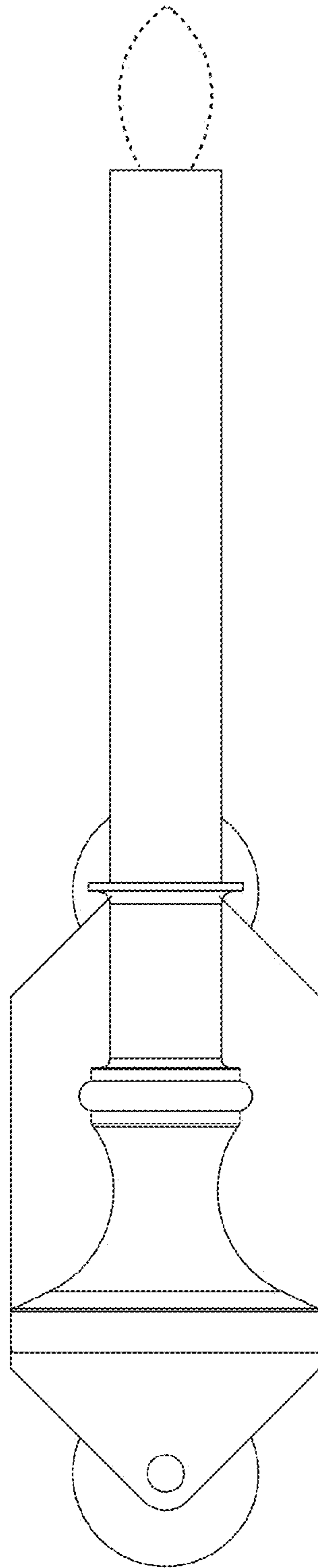


Fig. 11

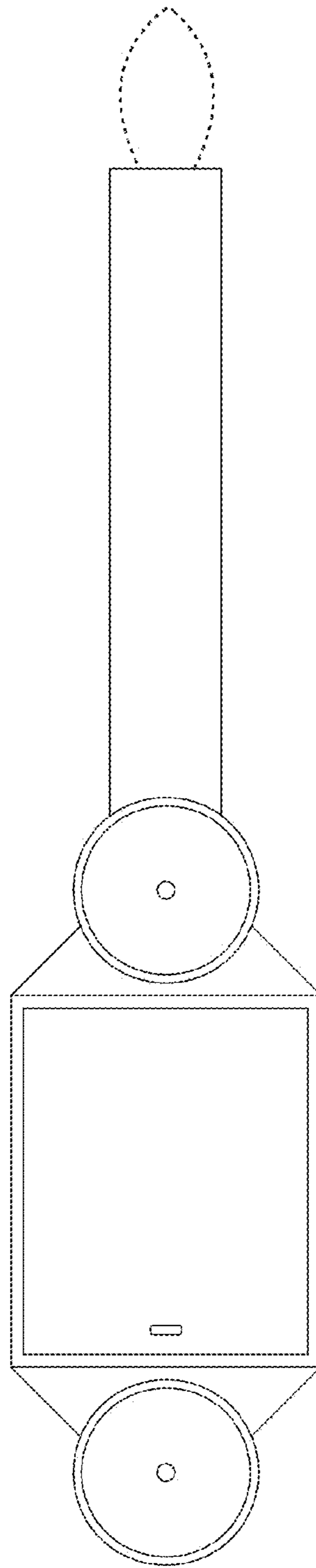


Fig. 12

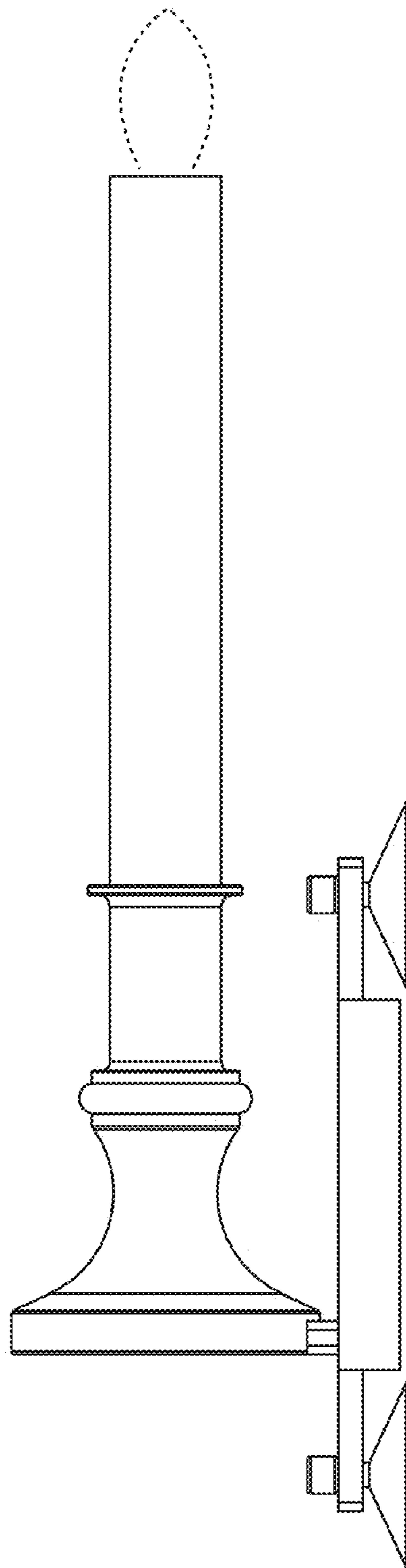


Fig. 13

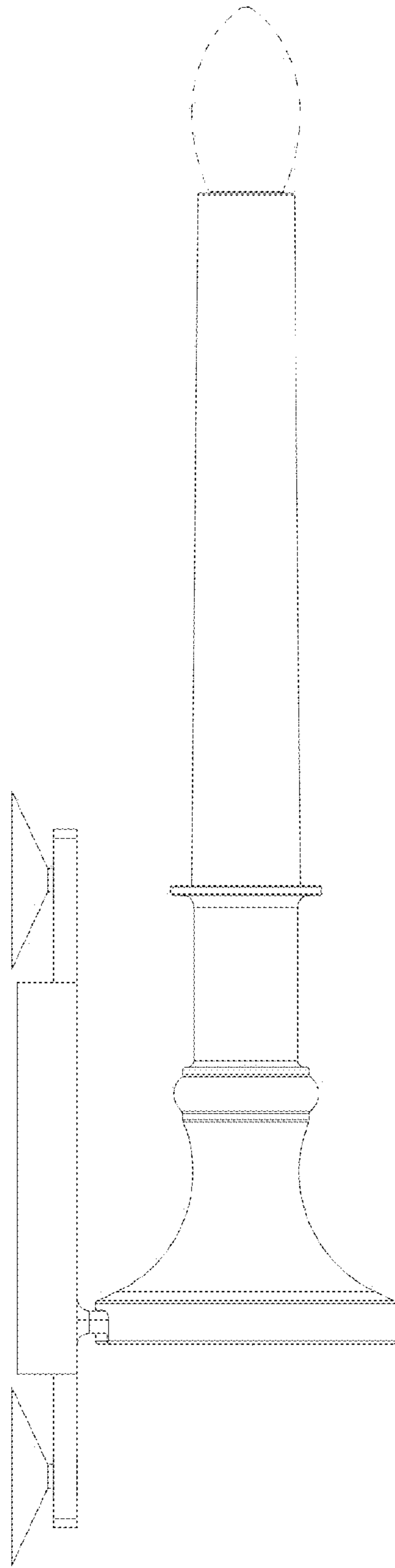


Fig. 14