



US00D775758S

(12) **United States Design Patent**
Amato et al.

(10) **Patent No.:** **US D775,758 S**

(45) **Date of Patent:** **** Jan. 3, 2017**

(54) **LIGHTING FIXTURE**

(71) Applicant: **The Urban Electric Company**, North Charleston, SC (US)

(72) Inventors: **Michael Amato**, John's Island, SC (US); **David Dawson**, Charleston, SC (US); **Jonathan Charpia**, Summerville, SC (US); **Joeangel Casanova**, North Charleston, SC (US); **Halle Kern**, Charleston, SC (US); **Courteney Salsbury**, Mount Pleasant, SC (US)

(73) Assignee: **THE URBAN ELECTRIC COMPANY**, North Charleston, SC (US)

(**) Term: **15 Years**

(21) Appl. No.: **29/541,801**

(22) Filed: **Oct. 8, 2015**

(51) **LOC (10) Cl.** **26-03**

(52) **U.S. Cl.**
USPC **D26/89**

(58) **Field of Classification Search**
USPC D26/72, 83, 89, 91, 118
CPC F21S 8/04; F21S 8/033; F21S 8/036;
F21S 13/02

See application file for complete search history.

(56) **References Cited**

U.S. PATENT DOCUMENTS

D60,560 S * 3/1922 Mohrmann D26/91
D60,561 S * 3/1922 Mohrmann D26/91
1,440,301 A * 12/1922 Klein F21S 8/04
362/355
D64,682 S * 5/1924 Ostrow D26/89

1,514,616 A * 11/1924 Harrison F21V 7/04
362/301
D71,191 S * 10/1926 Klein D26/89
1,707,556 A * 4/1929 Kaden F21S 8/04
362/433
D107,888 S * 1/1938 Waterbury D26/89
2,132,784 A * 10/1938 Guth F21V 5/04
362/309
D339,653 S * 9/1993 Porter D26/130
D376,008 S * 11/1996 Chan D23/377
D427,713 S * 7/2000 Dolan D26/135
D465,297 S * 11/2002 Thomas D26/83
D503,490 S * 3/2005 Curtin D26/89
D548,874 S * 8/2007 Curtin D26/89
D551,382 S * 9/2007 Curtin D26/89
D627,917 S * 11/2010 Hanna D26/89

* cited by examiner

Primary Examiner — Clare E Hefflin

(74) *Attorney, Agent, or Firm* — Richard A. Brisbin;
Haynsworth Sinkler Boyd, P.A.

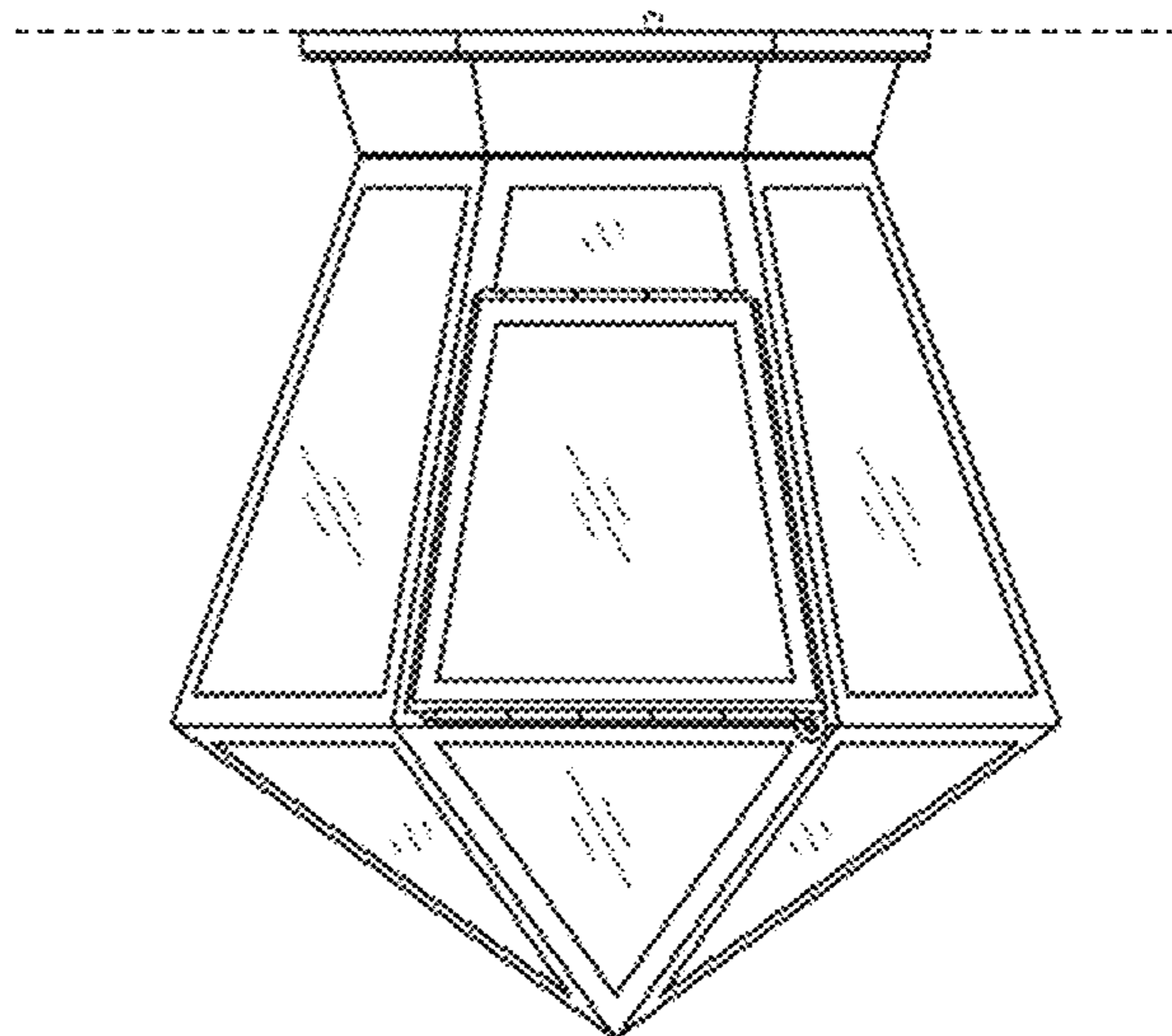
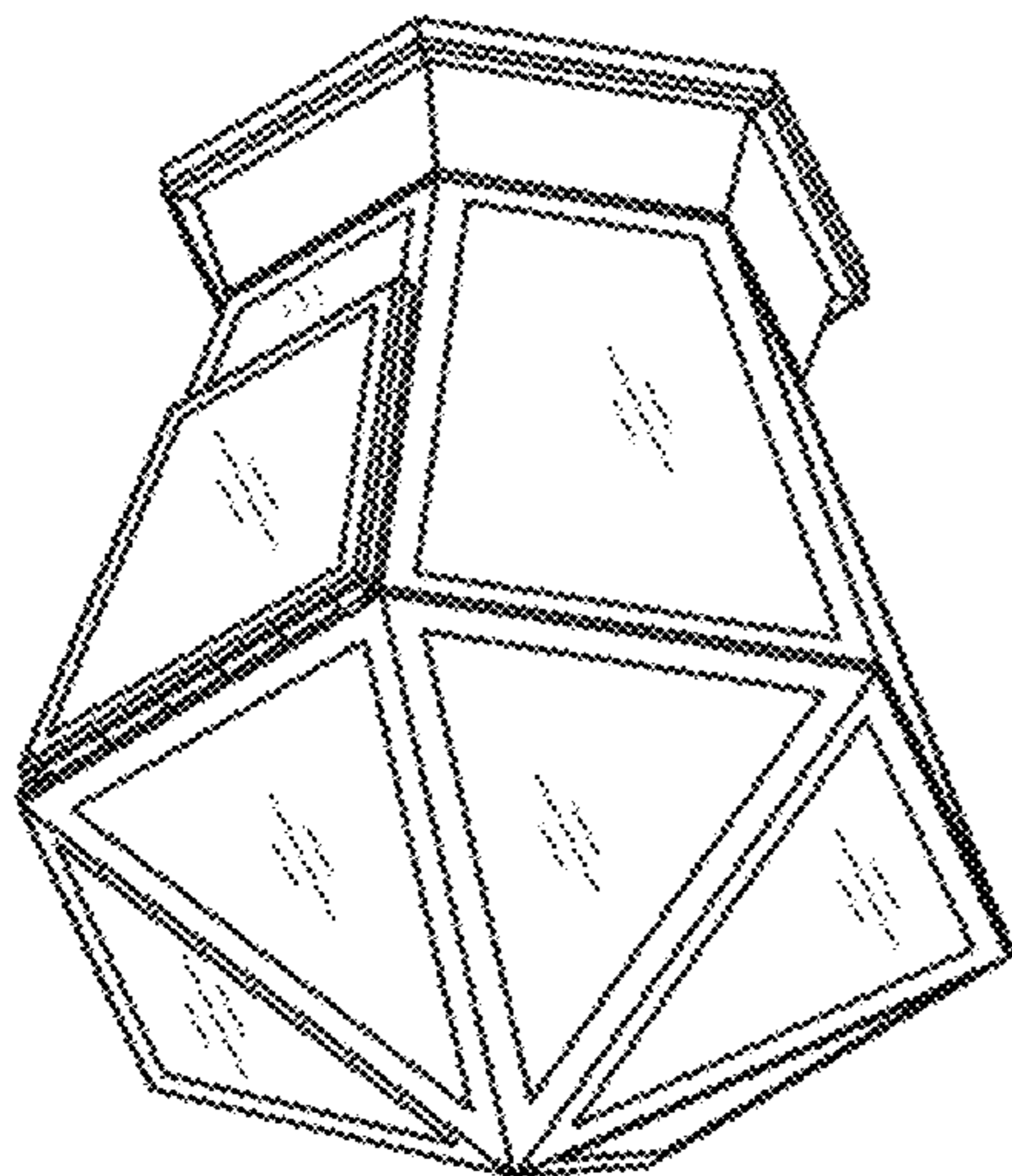
(57) **CLAIM**

The ornamental design for a lighting fixture, as shown and described.

DESCRIPTION

FIG. 1 is a perspective view of a new lighting fixture design; FIG. 2 is a bottom plan view thereof; FIG. 3 is a front elevational view thereof; FIG. 4 is a back elevational view thereof; FIG. 5 is a right side elevational view thereof; and, FIG. 6 is a left side elevational view thereof. The broken line disclosure in the views represents environmental structure which forms no part of the claimed design.

1 Claim, 6 Drawing Sheets



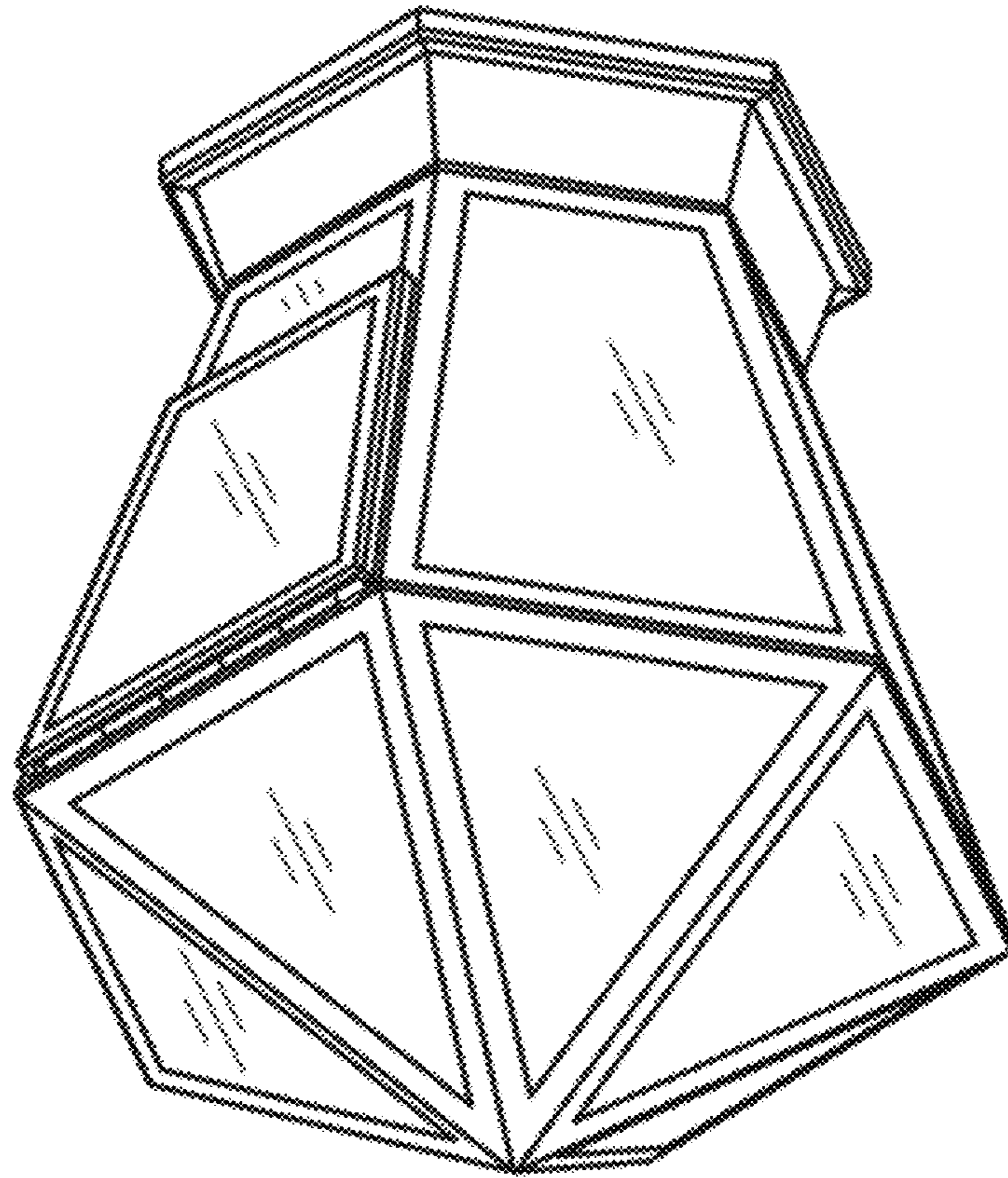


FIG. 1

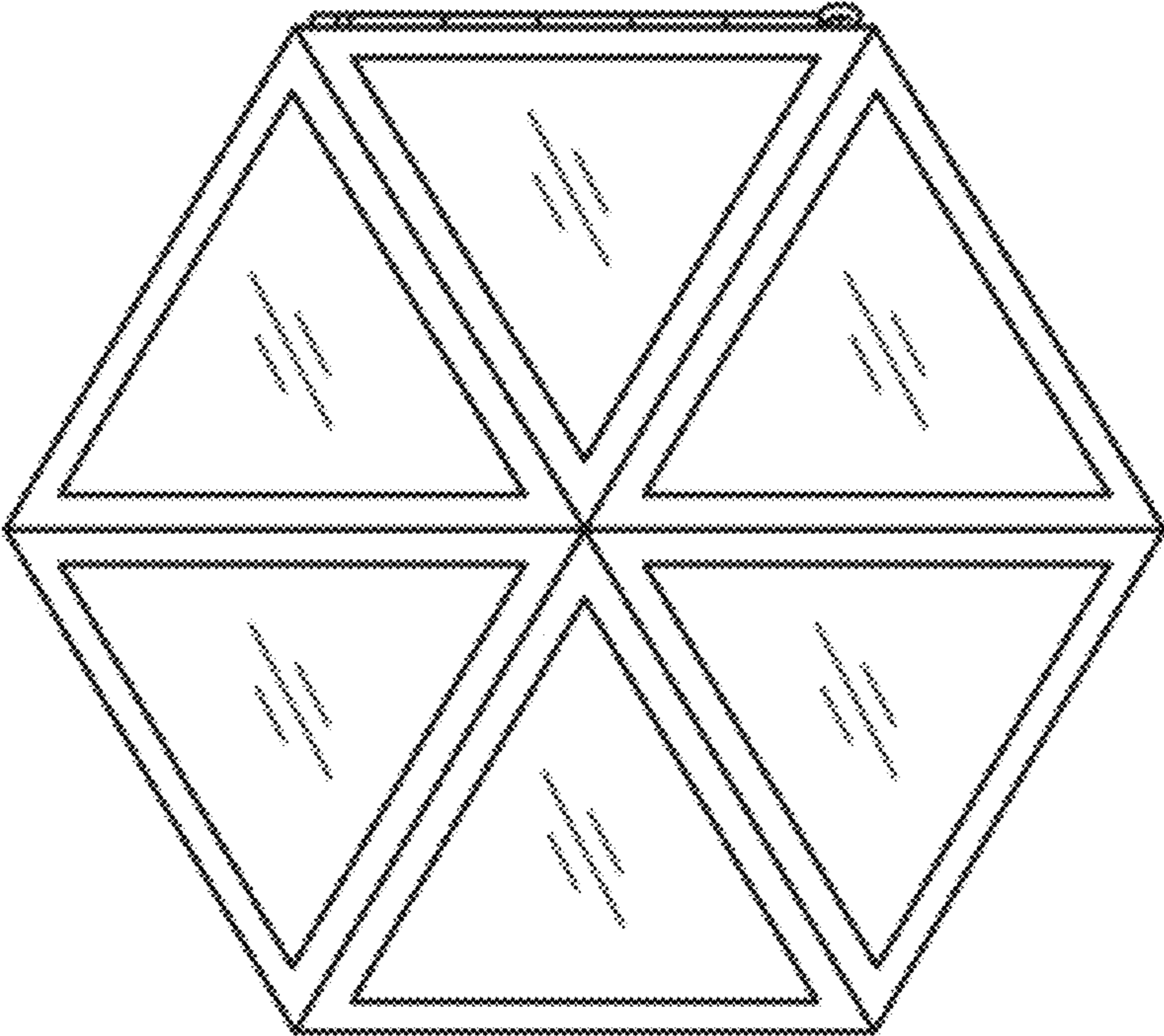


FIG. 2

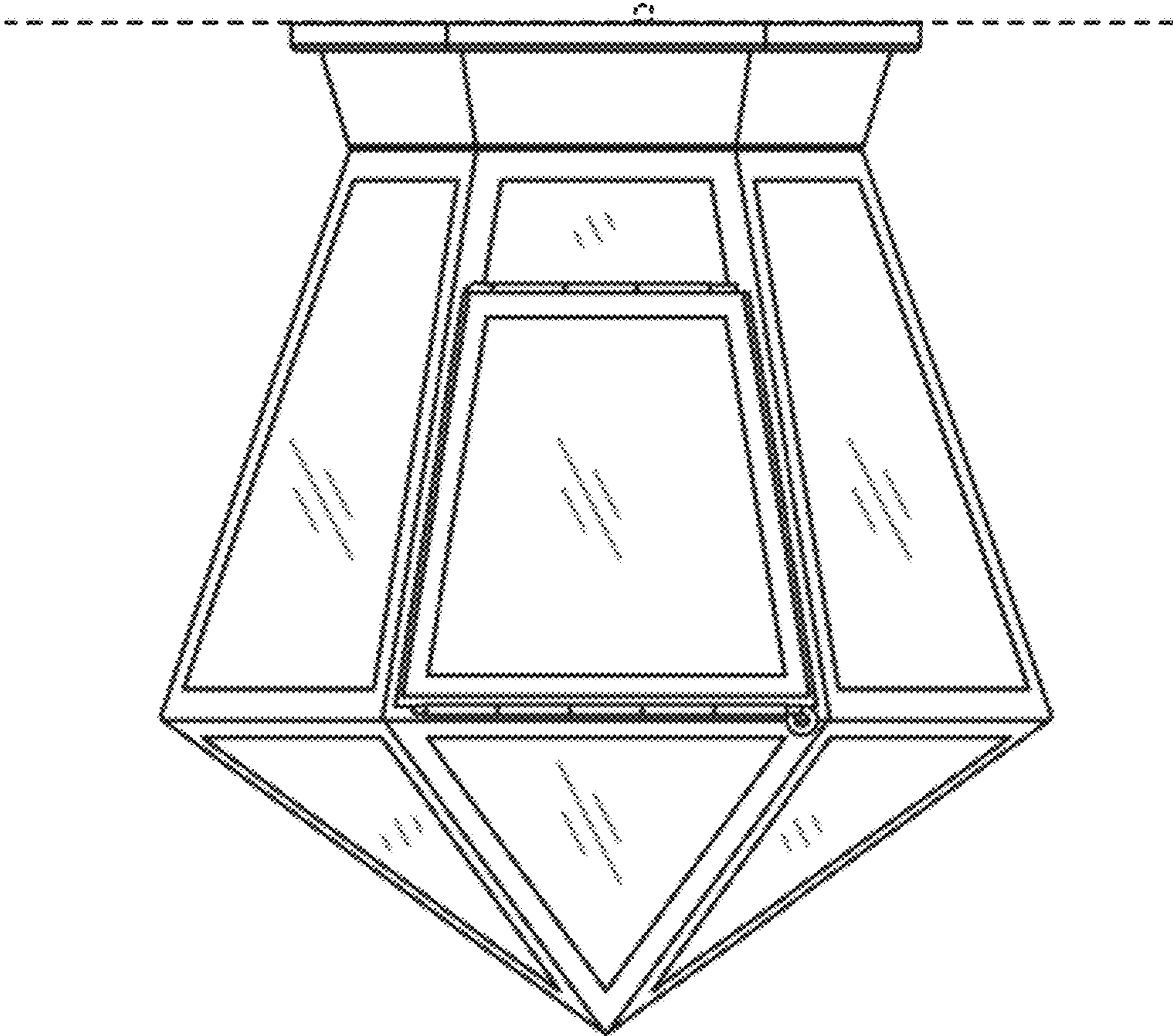


FIG. 3

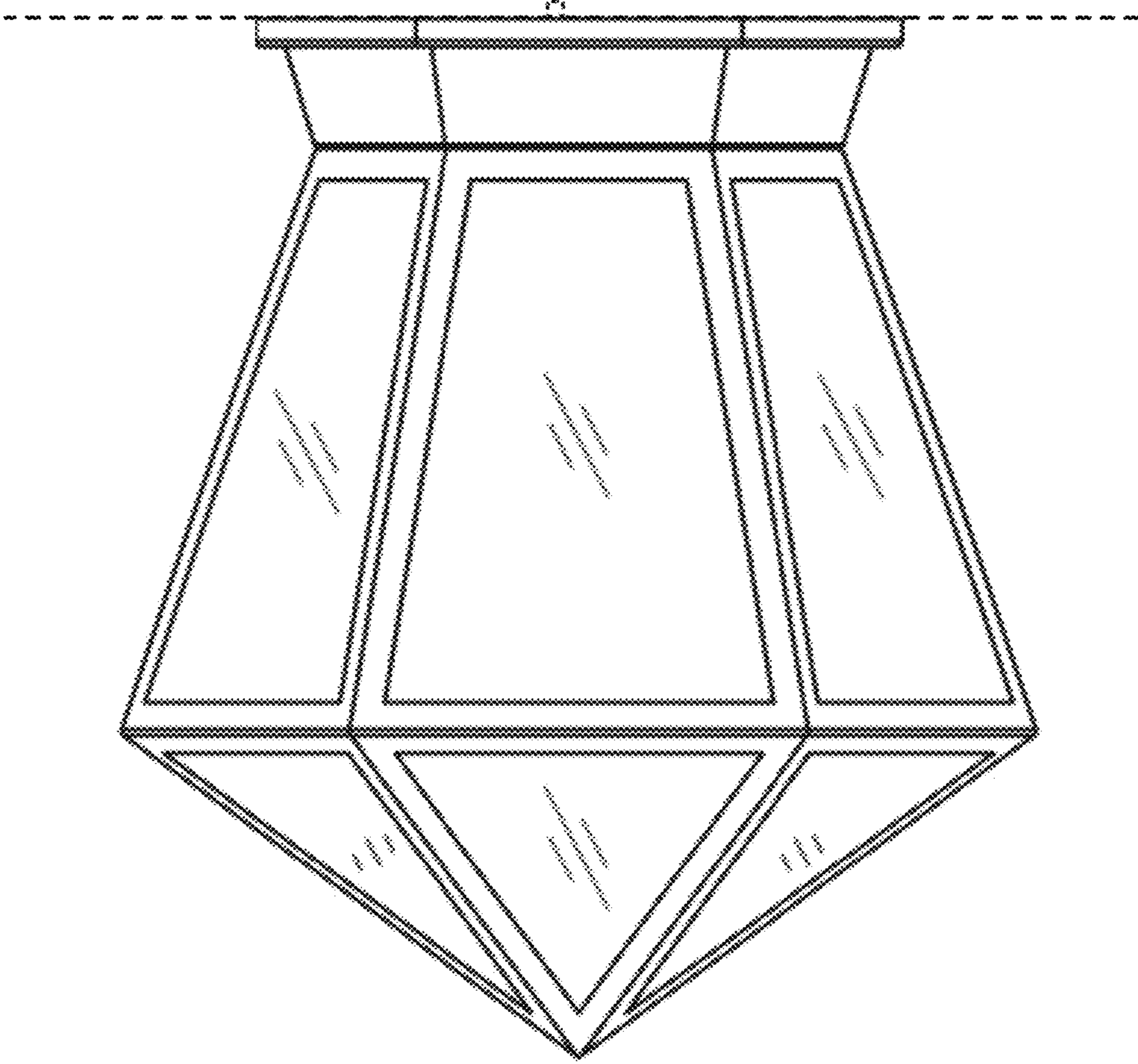


FIG. 4

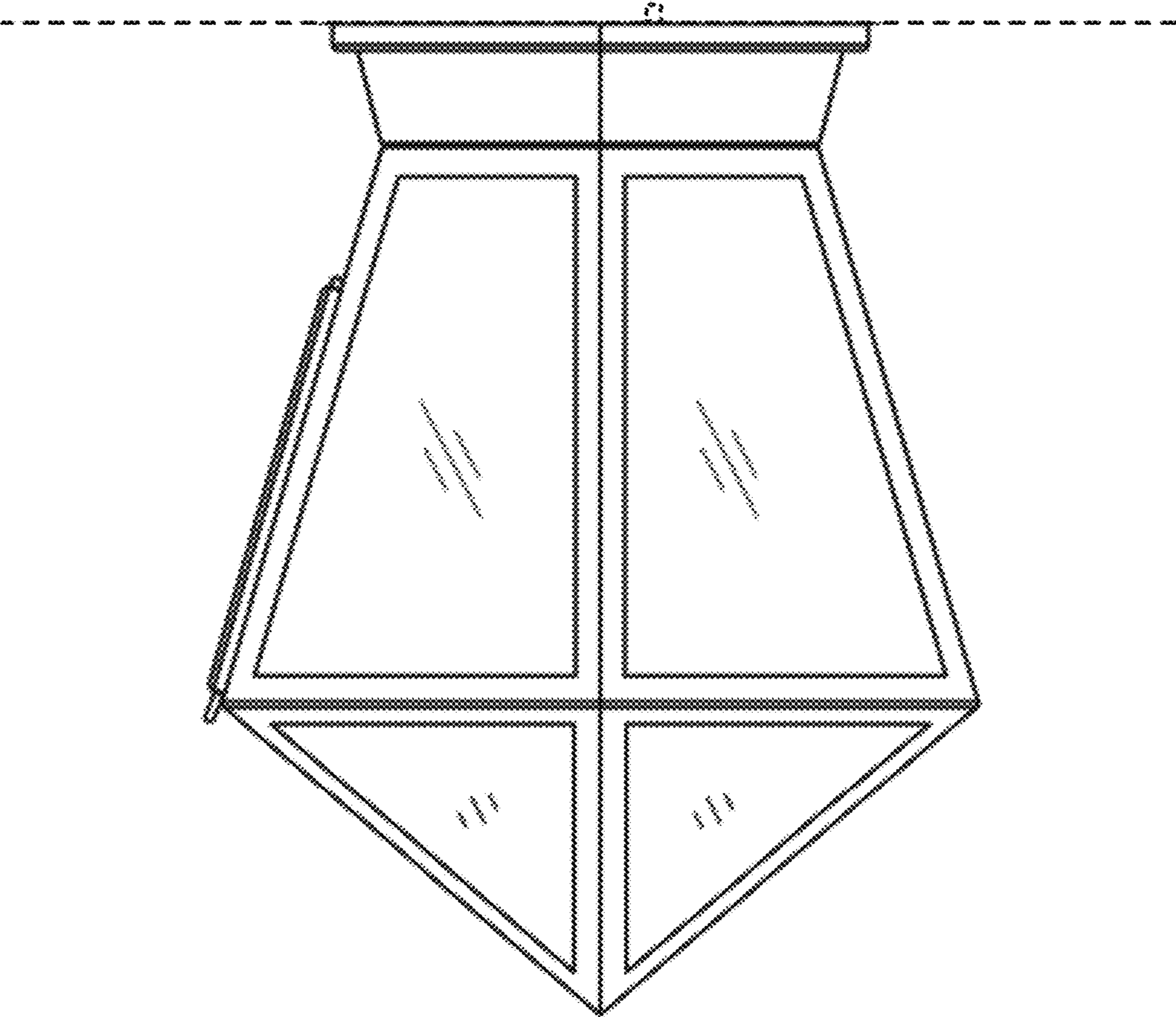


FIG. 5

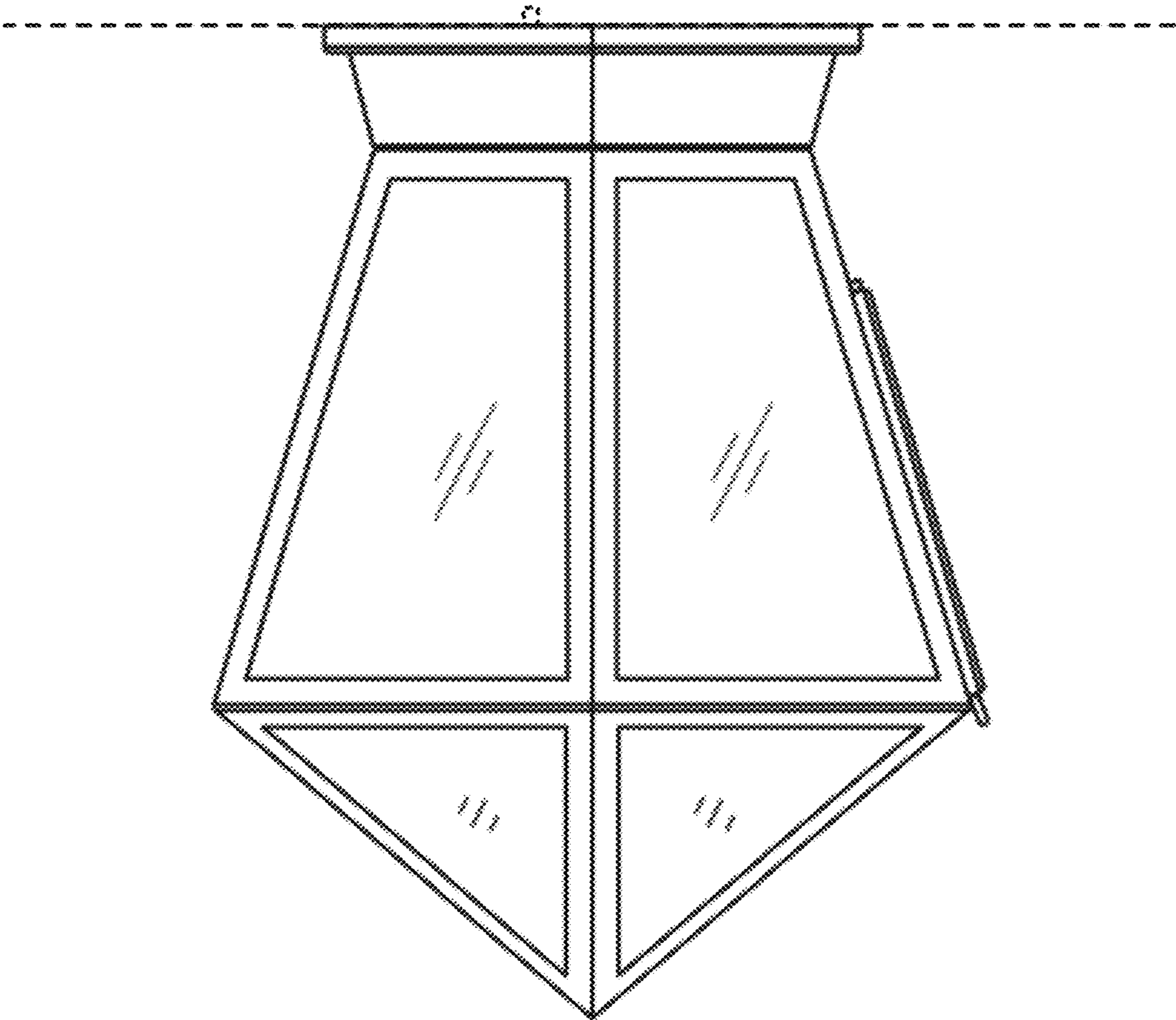


FIG. 6