



US00D775756S

(12) **United States Design Patent** (10) **Patent No.:** **US D775,756 S**
Amato et al. (45) **Date of Patent:** **** Jan. 3, 2017**

(54) **LIGHTING FIXTURE**

(71) Applicant: **The Urban Electric Company**, North Charleston, SC (US)

(72) Inventors: **Michael Amato**, John's Island, SC (US); **David Dawson**, Charleston, SC (US); **Jonathan Charpia**, Summerville, SC (US); **Joeangel Casanova**, North Charleston, SC (US); **Halle Kern**, Charleston, SC (US); **Courteney Salisbury**, Mount Pleasant, SC (US)

(73) Assignee: **THE URBAN ELECTRIC COMPANY**, North Charleston, SC (US)

(**) Term: **15 Years**

(21) Appl. No.: **29/532,440**

(22) Filed: **Jul. 7, 2015**

(51) **LOC (10) Cl.** **26-05**

(52) **U.S. Cl.**
USPC **D26/72**

(58) **Field of Classification Search**
USPC D26/72, 76, 77, 78, 80, 85, 89, 142, 121, D26/122
CPC F21S 8/03; F21S 8/031; F21S 8/033; F21S 8/036; F21S 9/03; F21S 9/037; F21V 21/025; F21V 17/08; F21V 17/10
See application file for complete search history.

4,032,774 A * 6/1977 Spicer F21V 19/006 362/382
4,385,346 A * 5/1983 Spicer F21S 8/033 362/147
5,000,409 A * 3/1991 MacLeod F21V 21/02 248/205.1
5,400,233 A * 3/1995 Hong F21S 2/005 362/249.01
D439,001 S * 3/2001 Pan D26/85
D583,495 S * 12/2008 Khubani D26/72
7,531,972 B1 * 5/2009 Worsham F21S 8/033 318/16
D641,913 S * 7/2011 Lagutko D26/74
2007/0193197 A1 * 8/2007 Vagedes E04F 19/02 52/716.1
2007/0291477 A1 * 12/2007 Khubani F21L 15/14 362/191

* cited by examiner

Primary Examiner — Clare E Heflin
(74) *Attorney, Agent, or Firm* — Richard A. Brisbin; Haynsworth Sinkler Boyd, P.A.

(57) **CLAIM**

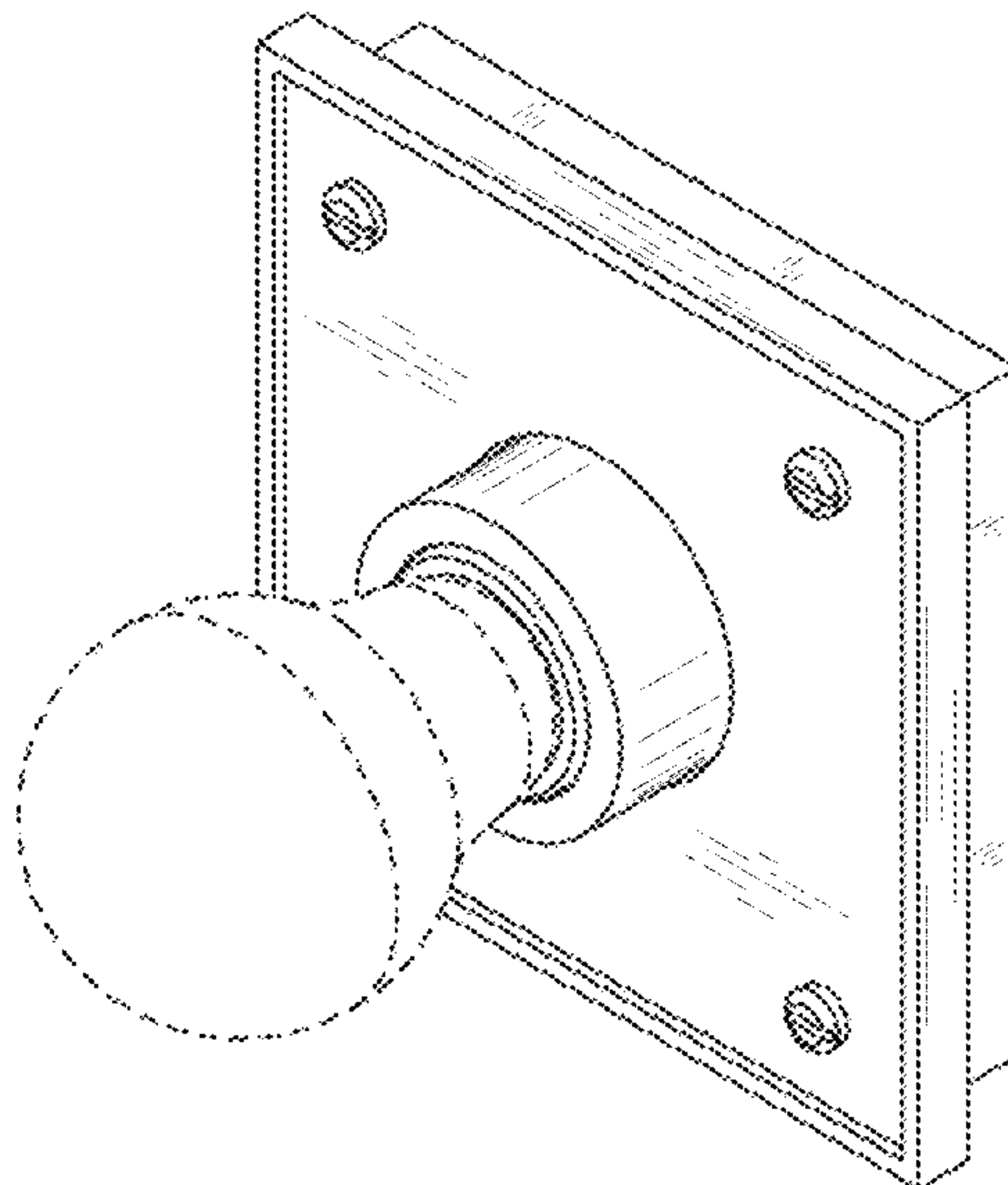
The ornamental design for a lighting fixture, as shown and described.

DESCRIPTION

FIG. 1 is a perspective view of a lighting fixture according to an example implementation;
FIG. 2 is a front elevational view thereof;
FIG. 3 is a right side elevational view thereof;
FIG. 4 is a left side elevational view thereof;
FIG. 5 is a top elevational view, thereof; and,
FIG. 6 is a bottom elevational view thereof.
The broken lines shown on the drawings depict environment only and form no part of the claimed design.

1 Claim, 6 Drawing Sheets

(56) **References Cited**
U.S. PATENT DOCUMENTS
2,478,129 A * 8/1949 Powell F21L 11/00 324/507
3,125,300 A * 3/1964 Roche F21S 9/022 362/20



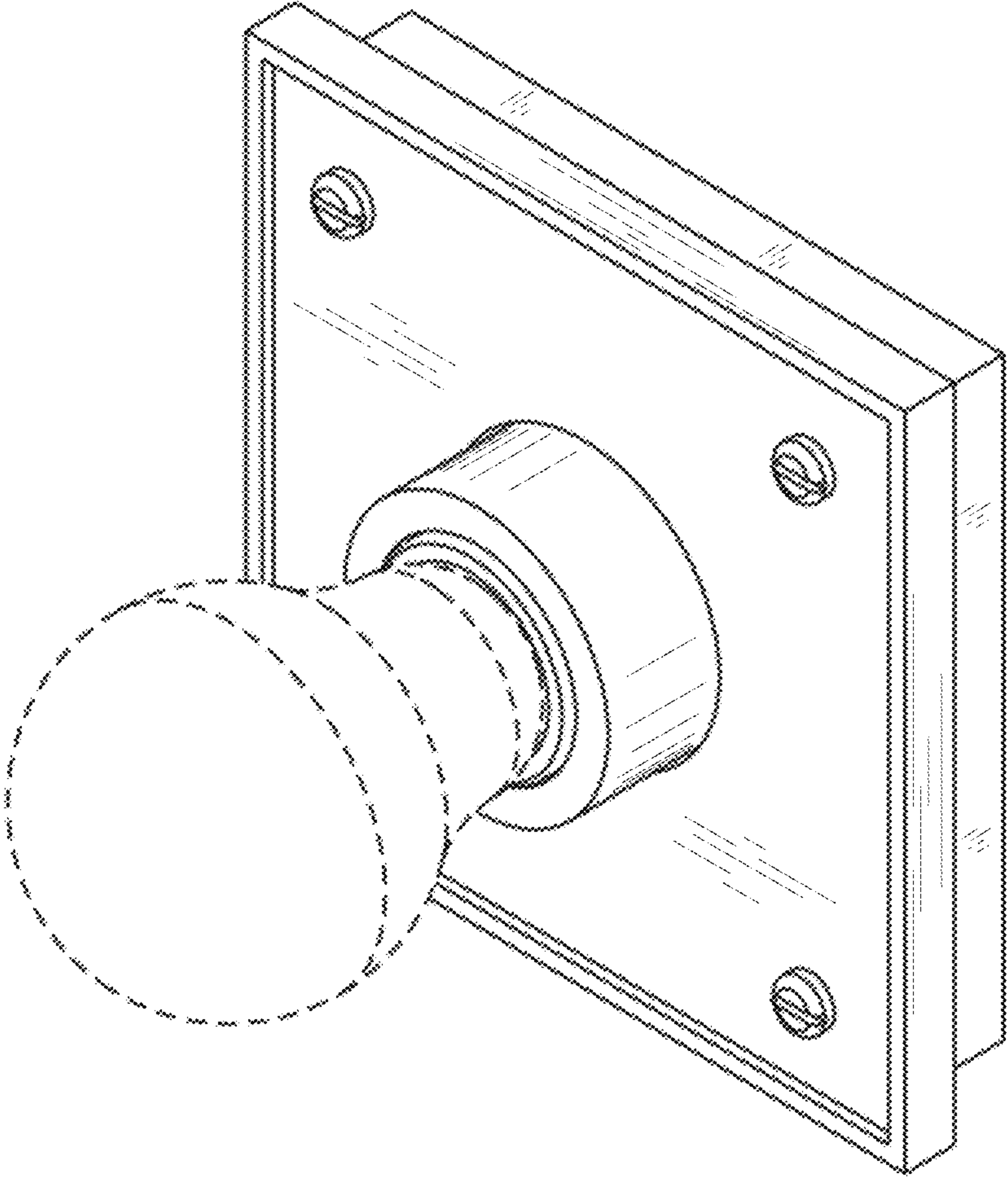


FIG. 1

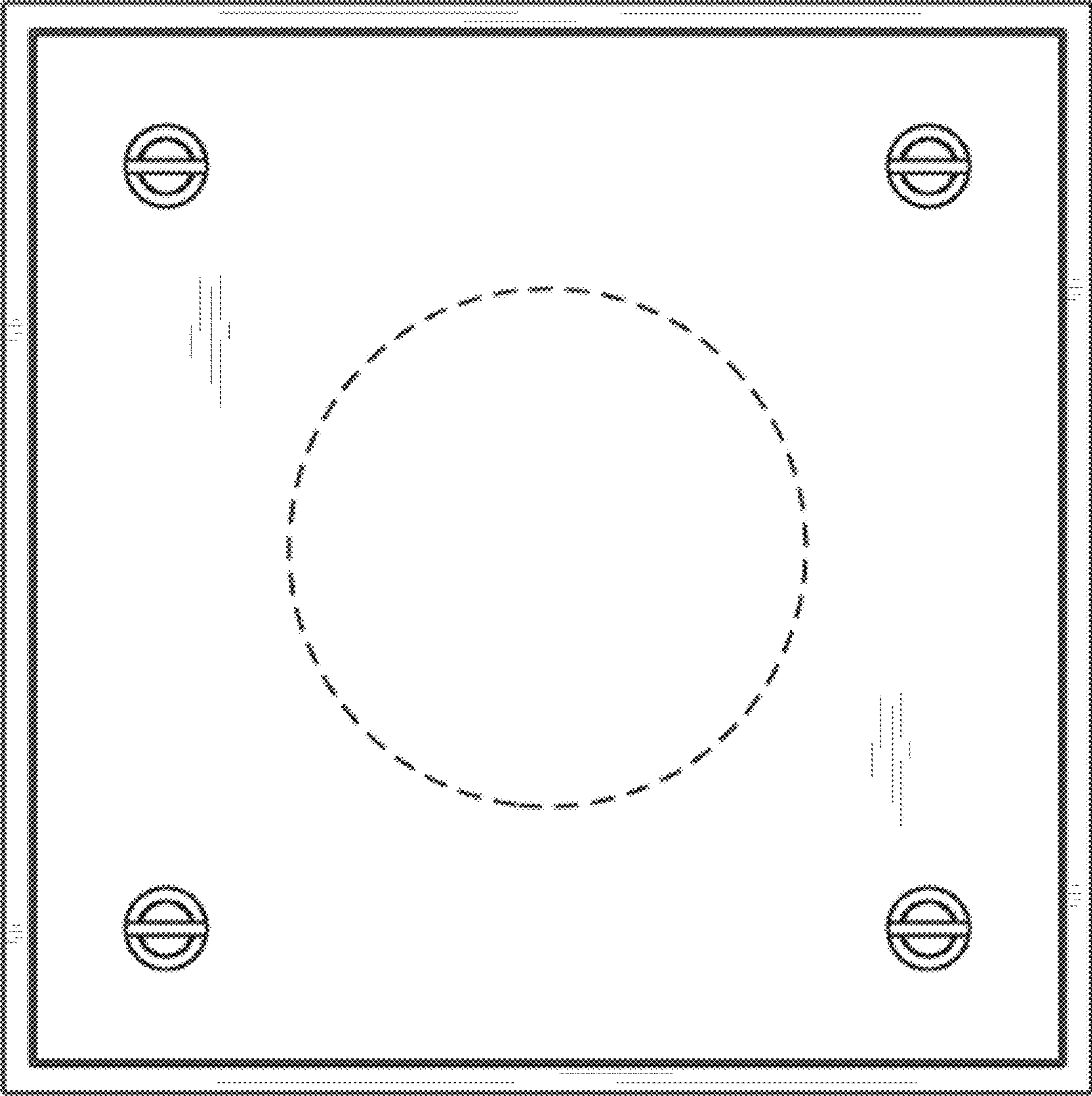


FIG. 2

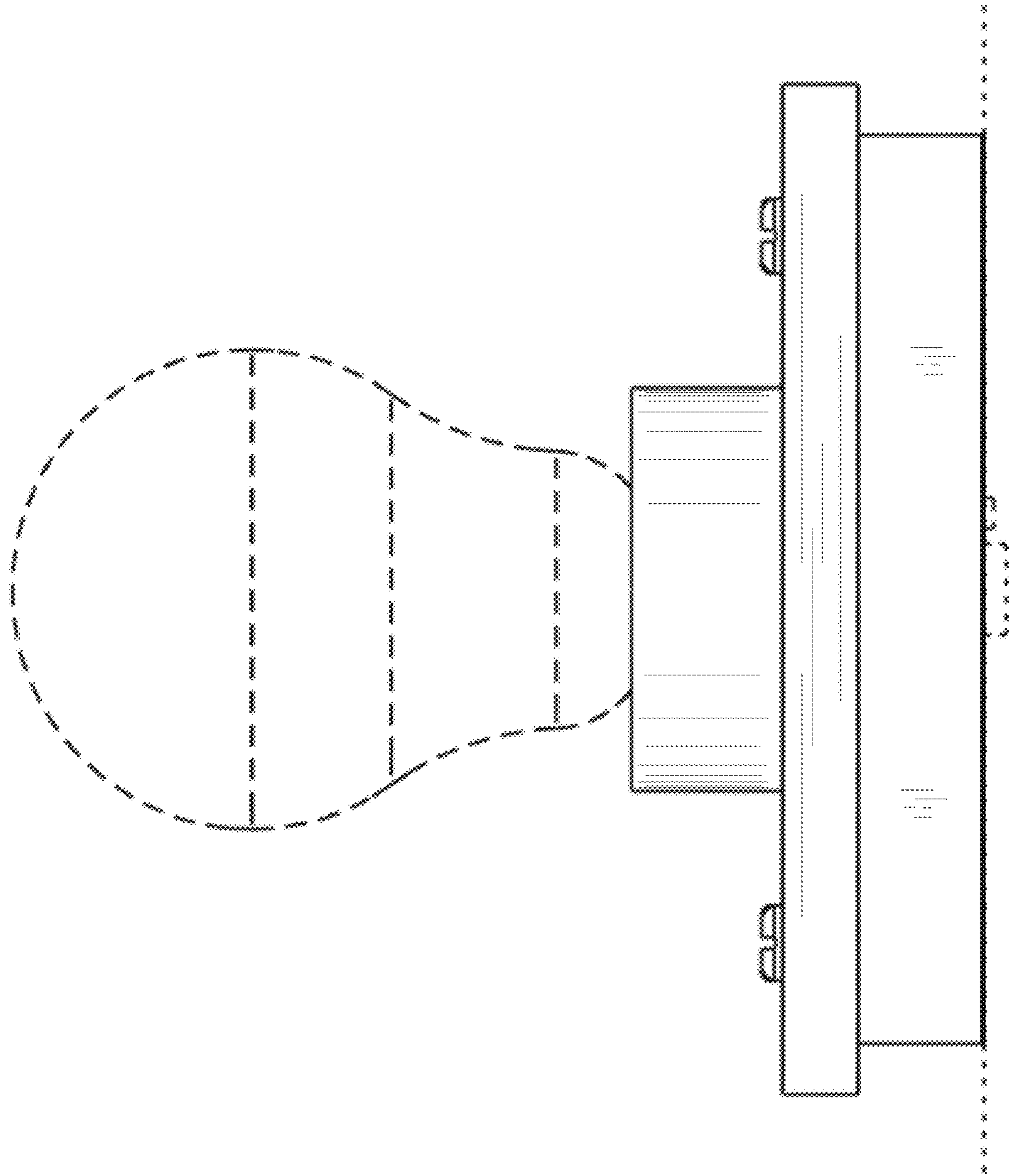


FIG. 3

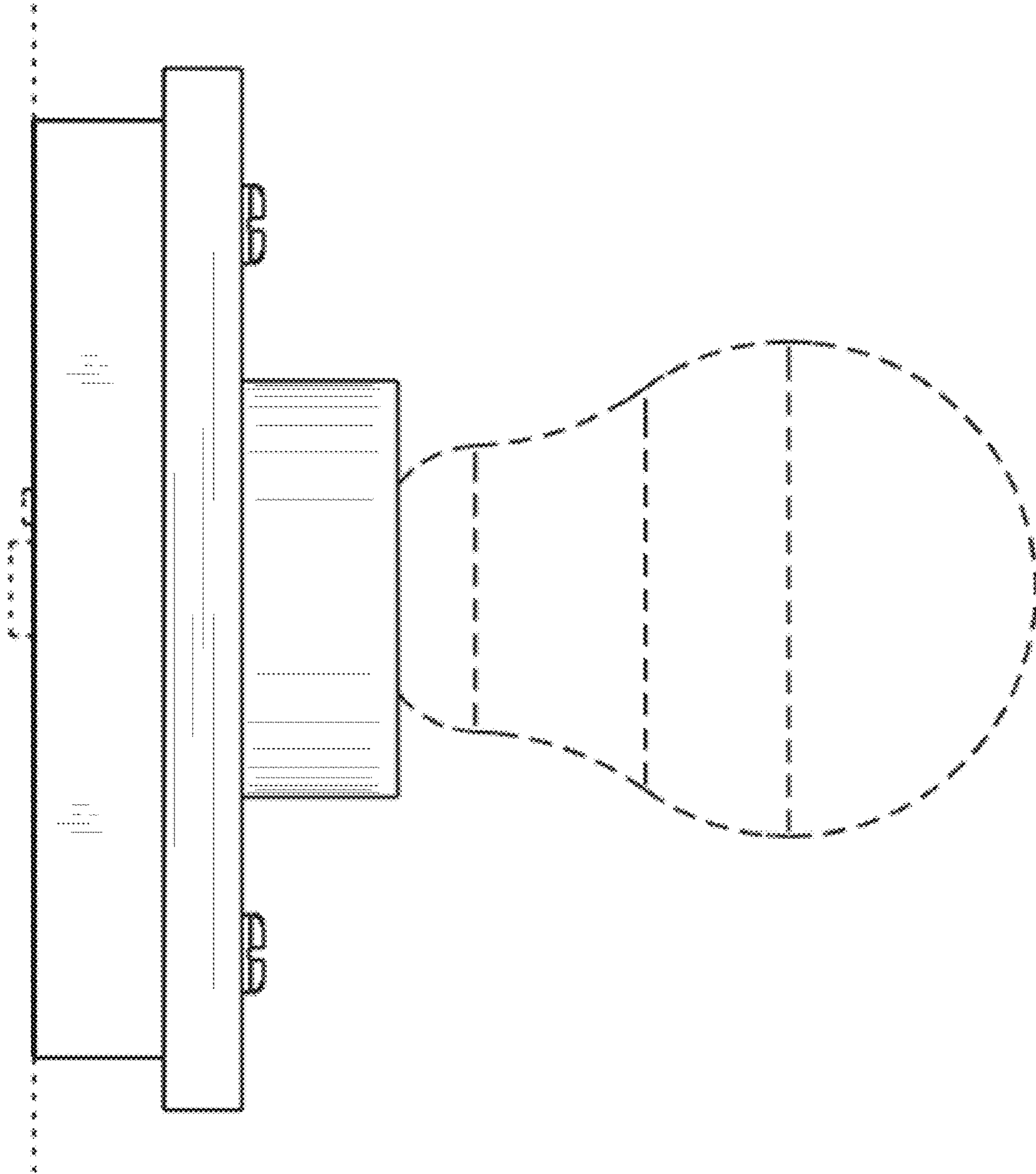


FIG. 4

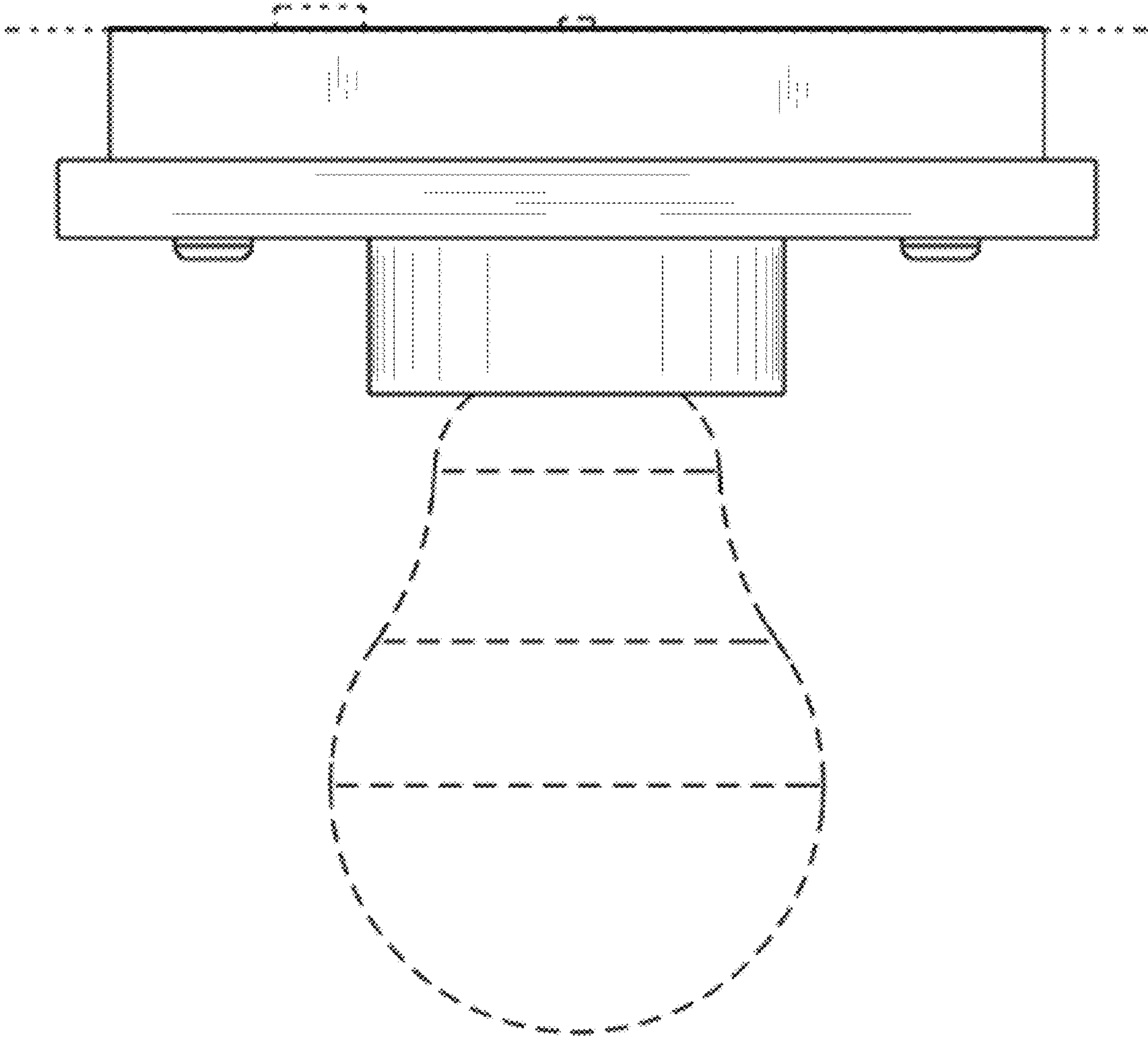


FIG. 5

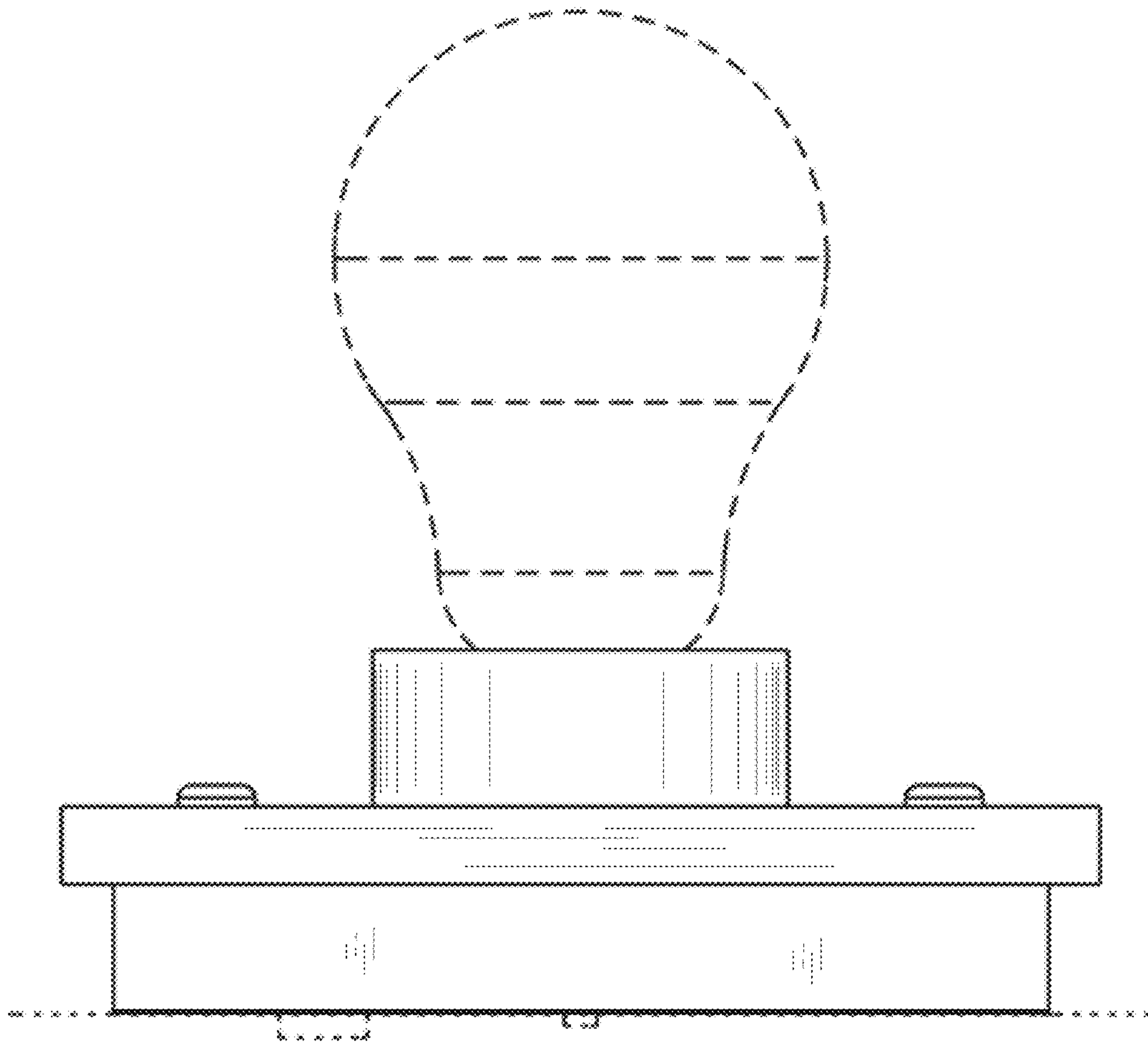


FIG. 6