



US00D775755S

(12) **United States Design Patent**
Recor et al.

(10) **Patent No.:** **US D775,755 S**
(45) **Date of Patent:** **** Jan. 3, 2017**

(54) **SLIDE LAMP**

(71) Applicant: **BOX CLEVER, LLC.**, San Francisco, CA (US)

(72) Inventors: **Bret Recor**, San Francisco, CA (US);
Seth Murray, Piedmont, CA (US);
Matthew Swinton, San Francisco, CA (US);
Hsiao-wei Chang, Tainan (TW);
Wen-pin Tsai, Tainan (TW)

(73) Assignee: **BOX CLEVER, LLC**, San Francisco, CA (US)

(**) Term: **15 Years**

(21) Appl. No.: **29/558,013**

(22) Filed: **Mar. 15, 2016**

Related U.S. Application Data

(62) Division of application No. 29/497,174, filed on Jul. 22, 2014.

(51) **LOC (10) Cl.** **26-03**

(52) **U.S. Cl.**
USPC **D26/63**

(58) **Field of Classification Search**
USPC D26/1, 24, 63, 61, 93, 106, 107
CPC F21S 6/00; F21S 6/002; F21V 21/14;
F21V 21/00; F21V 21/06; F21V 21/30;
F21W 2131/30

See application file for complete search history.

(56) **References Cited**

U.S. PATENT DOCUMENTS

D619,746 S *	7/2010	Huang	D26/63
D654,199 S *	2/2012	Xie	D26/63
D734,529 S *	7/2015	Krenkler	D26/107
D739,976 S *	9/2015	Wu	D26/63

* cited by examiner

Primary Examiner — Brian N Vinson

(74) *Attorney, Agent, or Firm* — SU IP Consulting

(57) **CLAIM**

The ornamental design for a slide lamp, substantially as shown and described.

DESCRIPTION

FIG. 1 is a top perspective view of a slide lamp showing our new design.

FIG. 2 is a bottom perspective view of the slide lamp.

FIG. 3 is a front view of the slide lamp.

FIG. 4 is a rear view of the slide lamp.

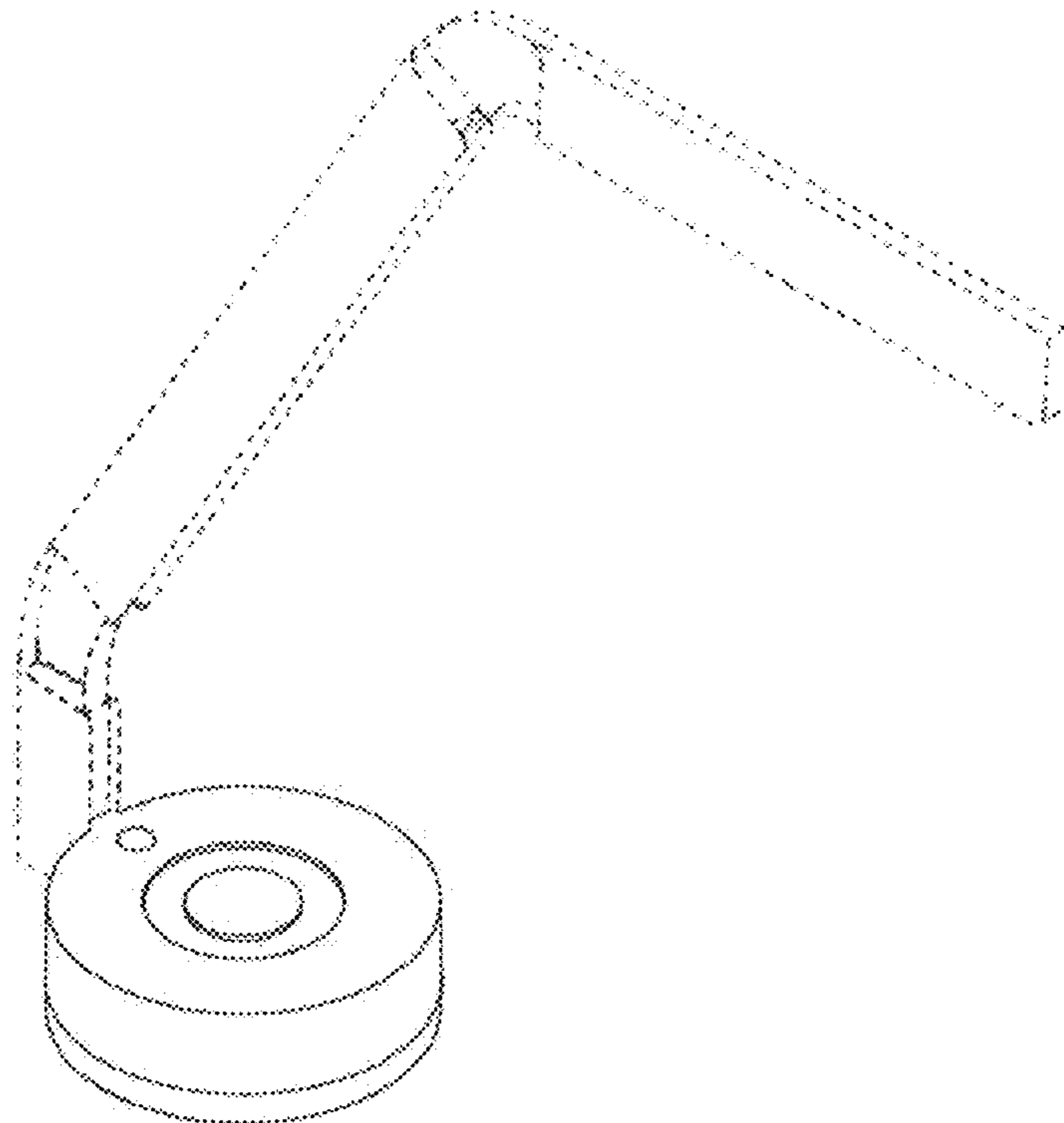
FIG. 5 is a left side view of the slide lamp, wherein the left and right side views are mirror images.

FIG. 6 is a top view of the slide lamp; and,

FIG. 7 is a bottom view of the slide lamp.

The broken lines showing environment structure are for illustrative purposes and form no part of the claimed design.

1 Claim, 5 Drawing Sheets



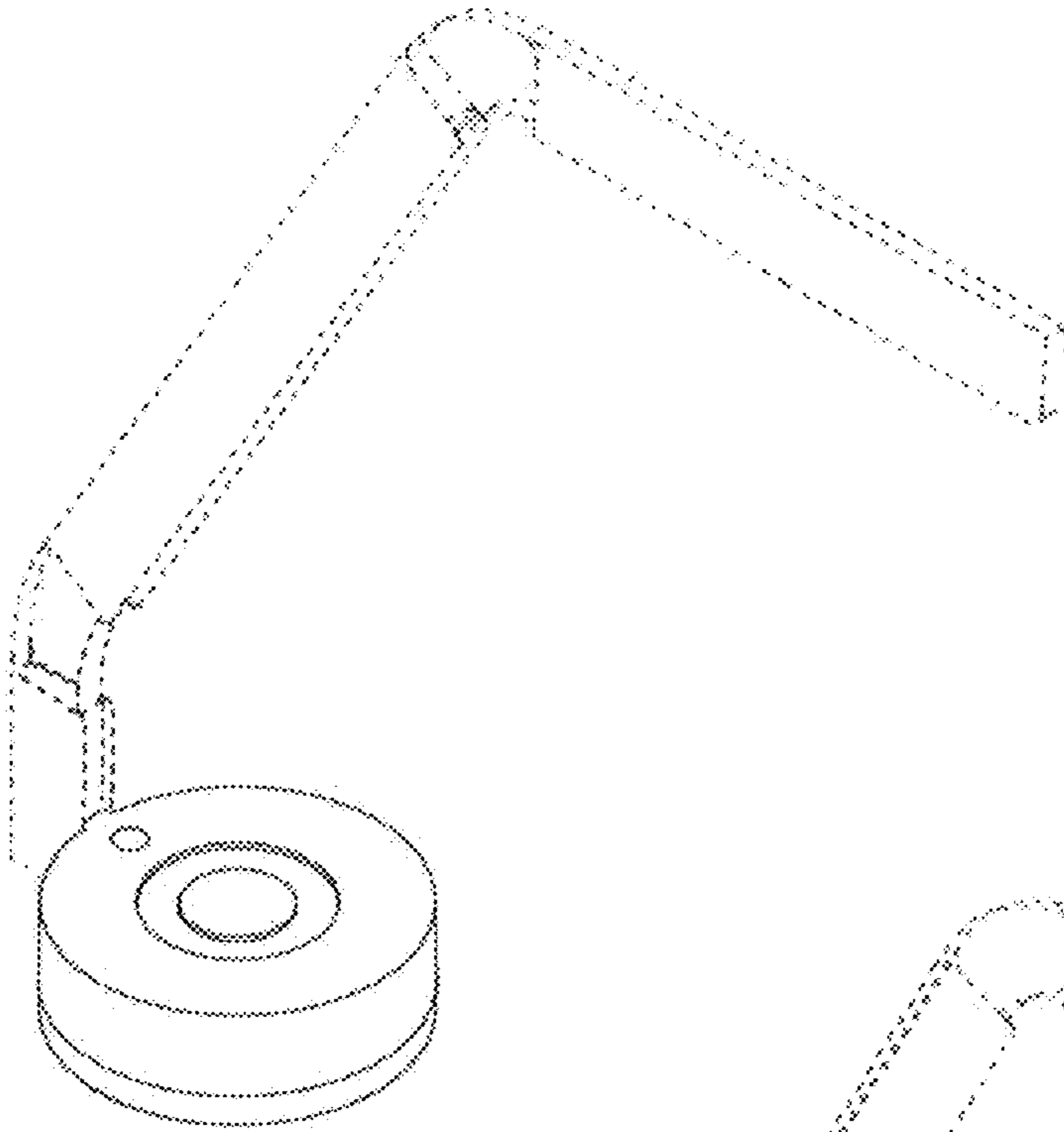


FIG. 1

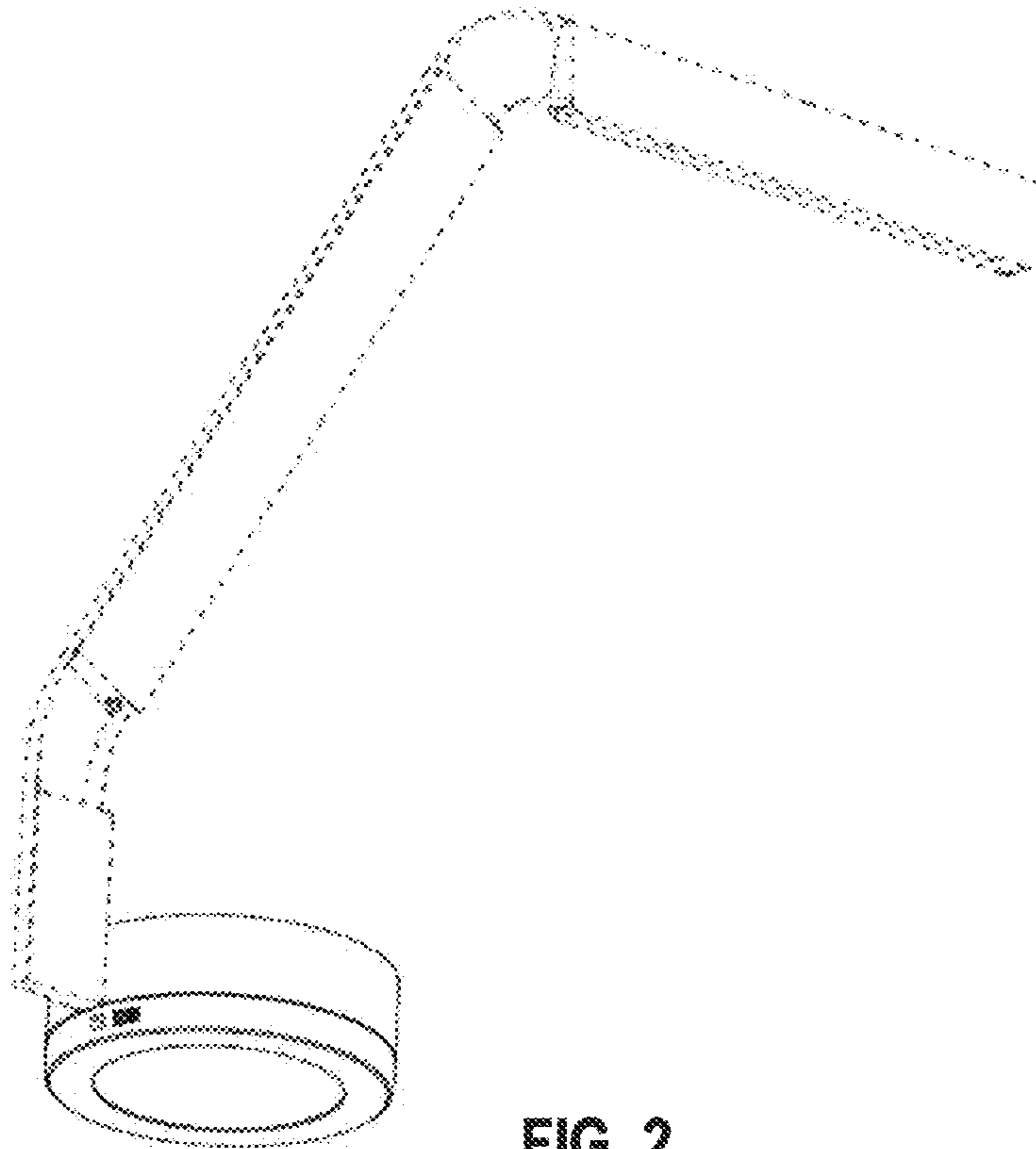


FIG. 2

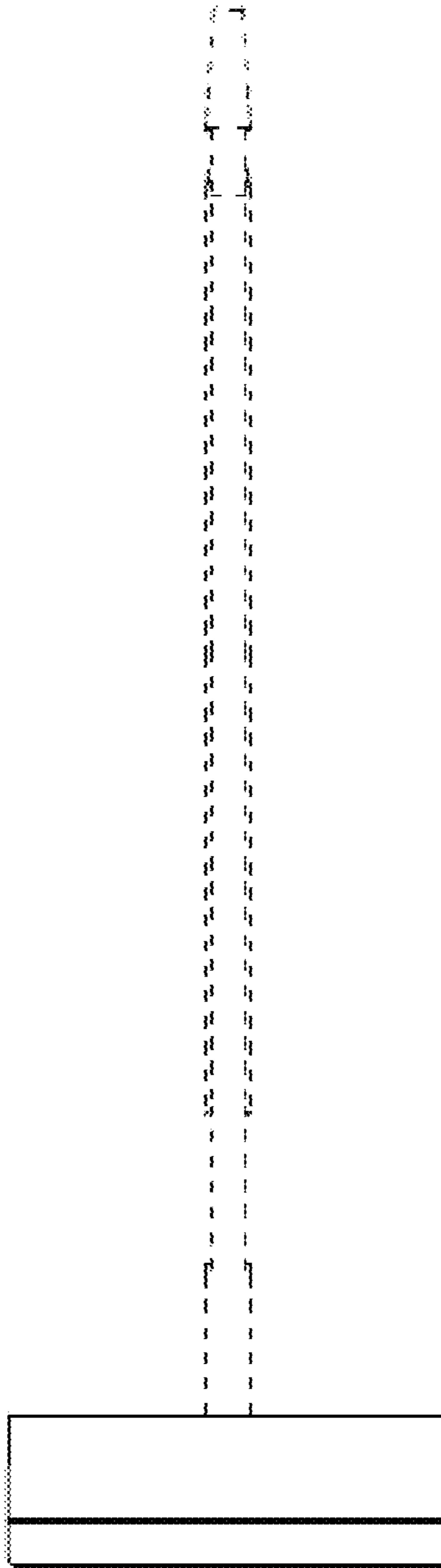


FIG. 3

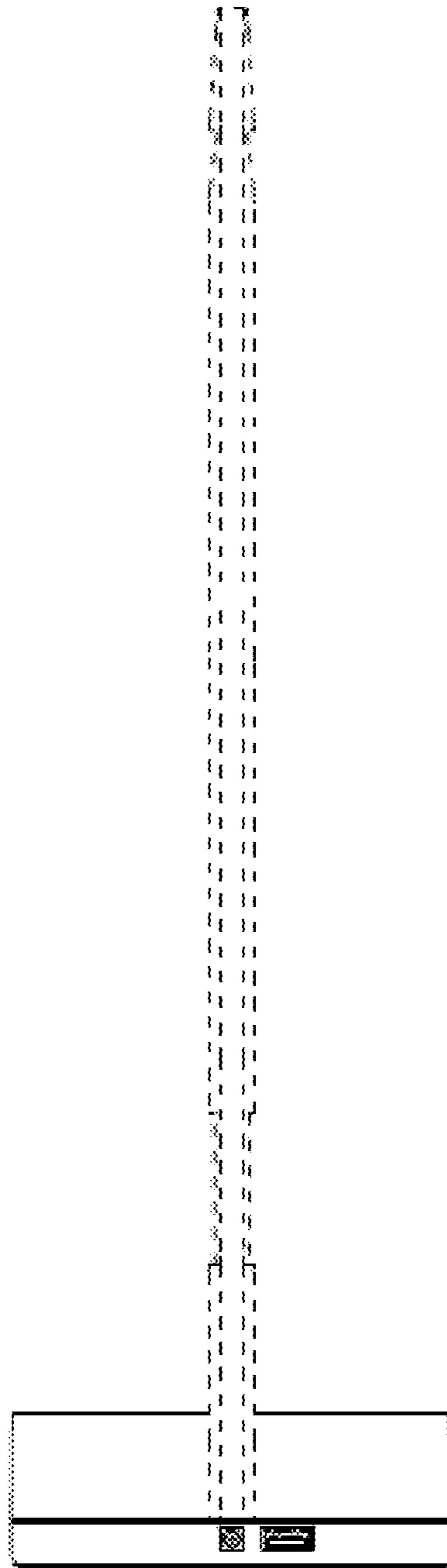


FIG. 4

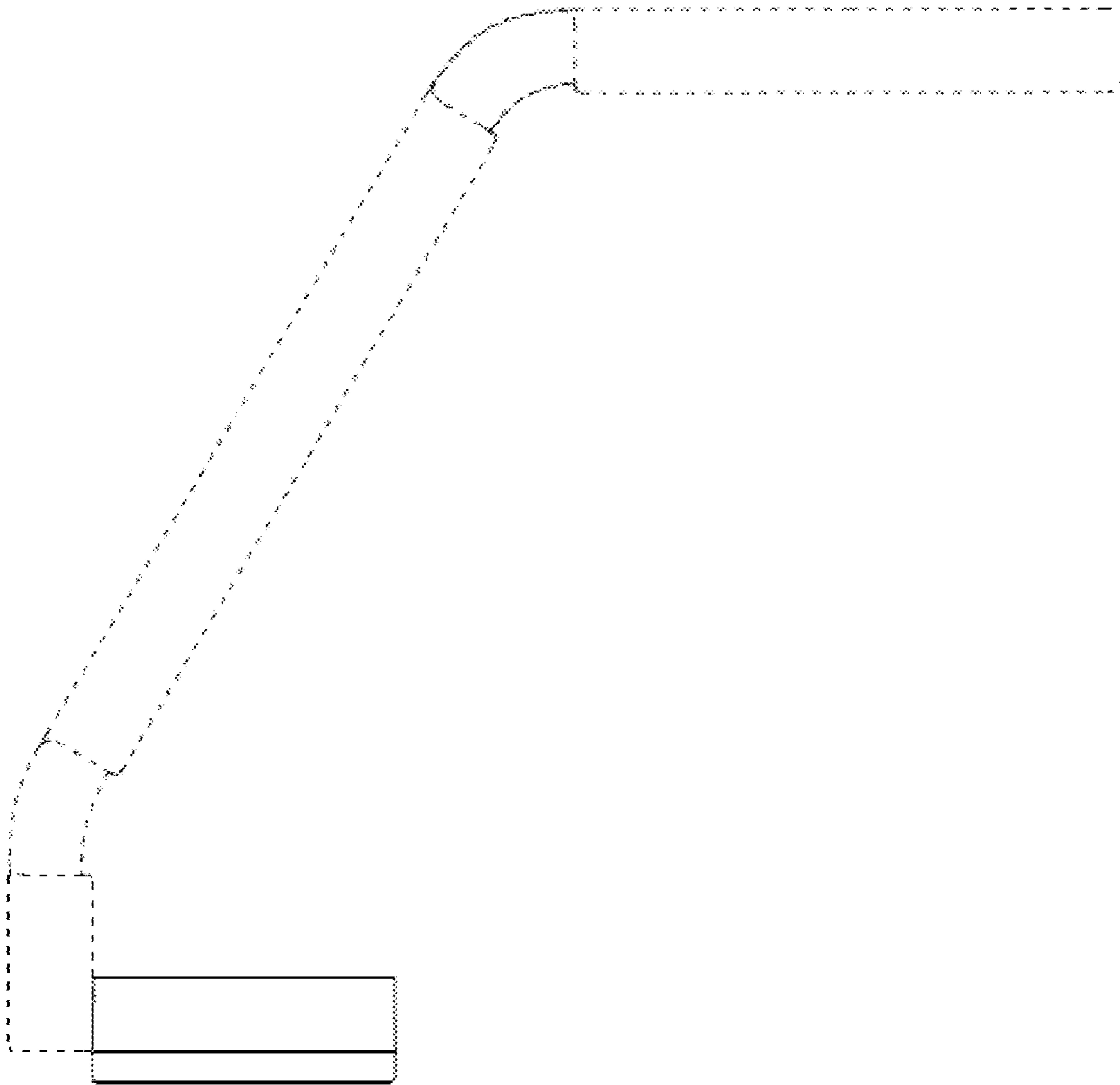


FIG. 5

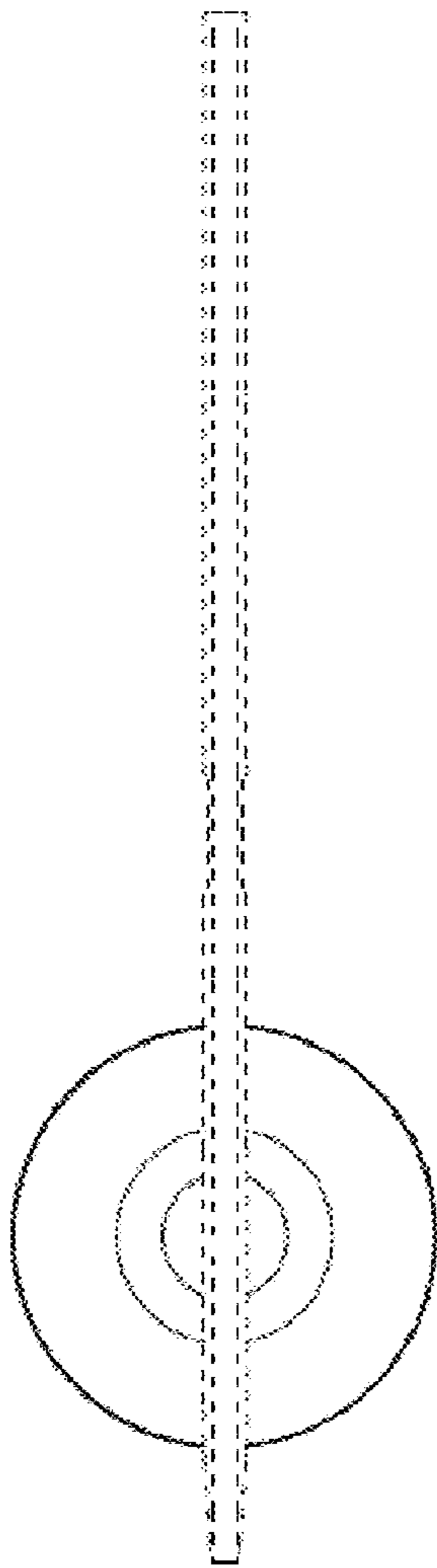


FIG. 6

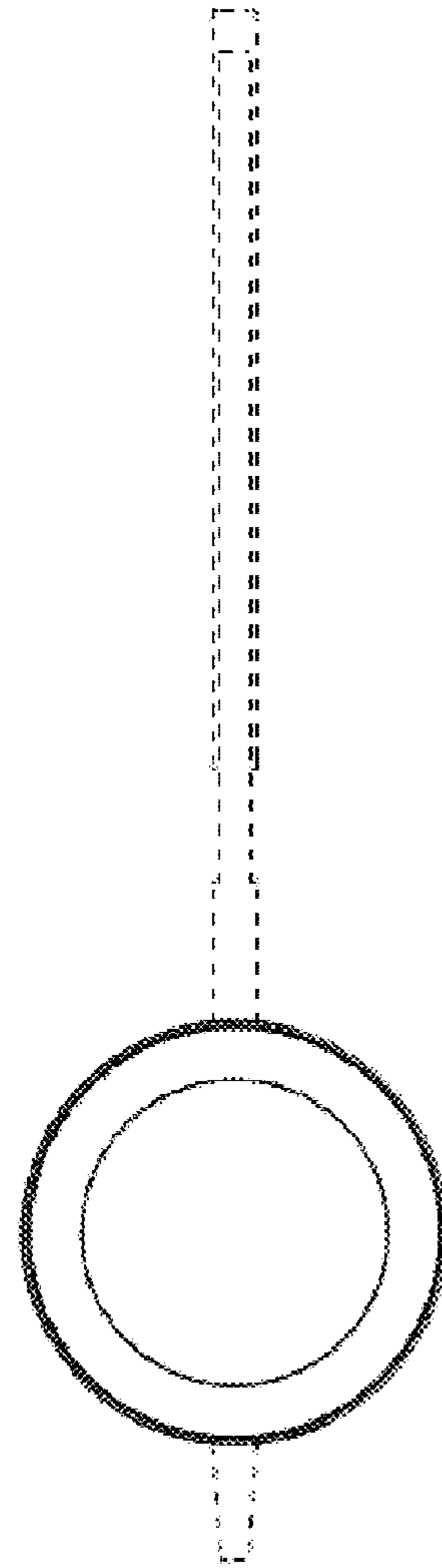


FIG. 7