



US00D775754S

(12) **United States Design Patent**  
**Jepson**

(10) **Patent No.:** **US D775,754 S**  
(45) **Date of Patent:** **\*\* Jan. 3, 2017**

(54) **LIGHT**

(71) Applicant: **ARTIKA FOR LIVING INC.**, Dorval,  
Quebec (CA)

(72) Inventor: **Raymond Jepson**, Roxboro (CA)

(73) Assignee: **ARTIKA FOR LIVING INC.** (CA)

(\*\*) Term: **14 Years**

(21) Appl. No.: **29/522,826**

(22) Filed: **Apr. 2, 2015**

(30) **Foreign Application Priority Data**

Oct. 7, 2014 (CA) ..... 158971

(51) **LOC (10) Cl.** ..... **26-03**

(52) **U.S. Cl.**  
USPC ..... **D26/63**

(58) **Field of Classification Search**

USPC ..... D26/1, 24, 61, 63, 65, 85, 92

CPC ..... F21V 21/14; F21V 15/01; F21V 14/02;  
F21V 21/30; F21V 21/00; F21V  
14/00; F21S 8/00; F21S 8/003; F21S  
8/043; F21Y 2105/001

See application file for complete search history.

(56) **References Cited**

**U.S. PATENT DOCUMENTS**

D239,967 S \* 5/1976 Ewing et al. .... D26/65  
D541,456 S \* 4/2007 Kosche ..... D26/63

D563,579 S \* 3/2008 Grimberg ..... D26/61  
D600,390 S \* 9/2009 Sabernig ..... D26/65  
D670,846 S \* 11/2012 Ramirez ..... D26/63  
D748,313 S \* 1/2016 Grundl ..... D26/63  
D751,746 S \* 3/2016 Hoang ..... D26/63

\* cited by examiner

*Primary Examiner* — Brian N Vinson

(74) *Attorney, Agent, or Firm* — Brouillette and Partners;  
Damien Calvet

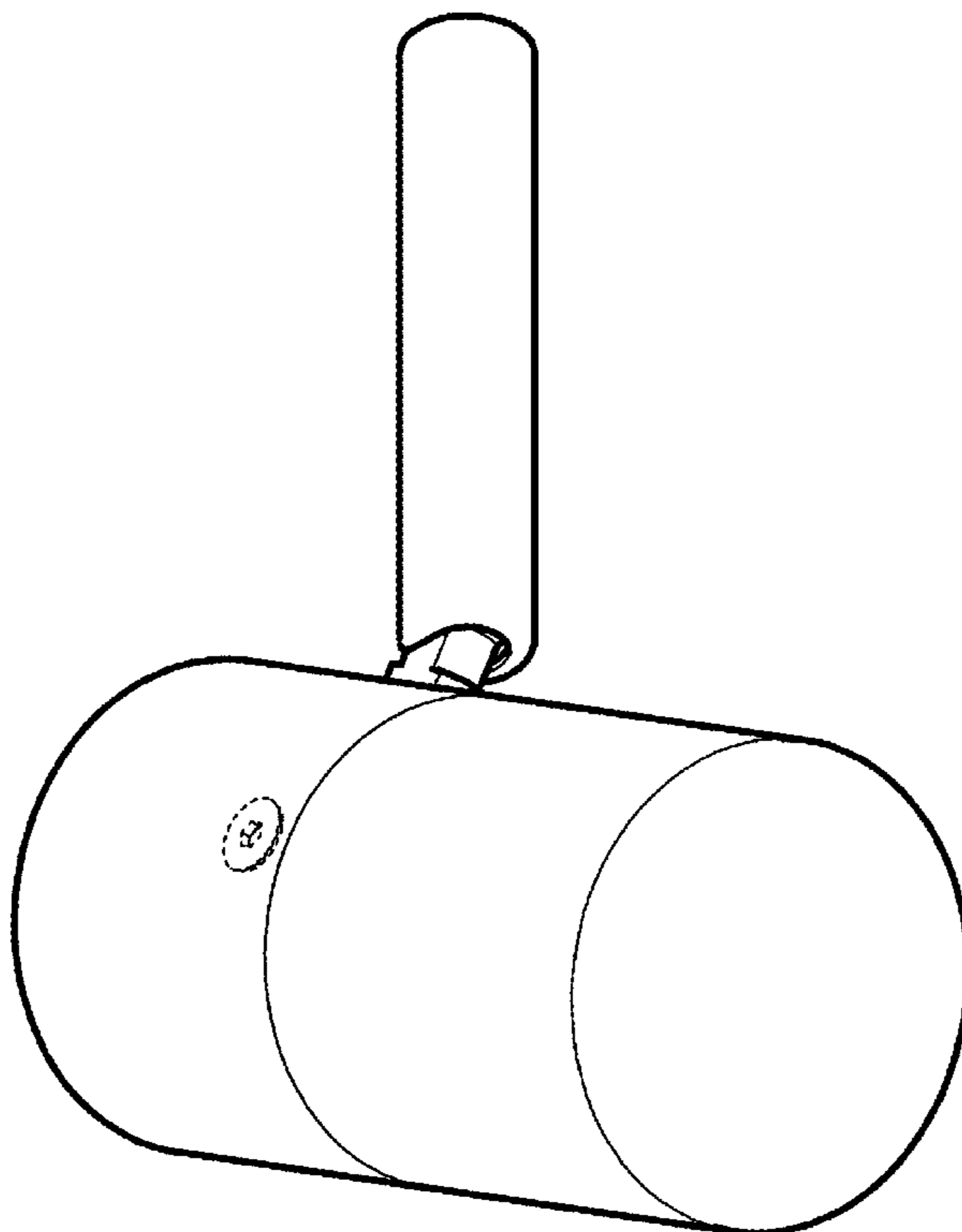
(57) **CLAIM**

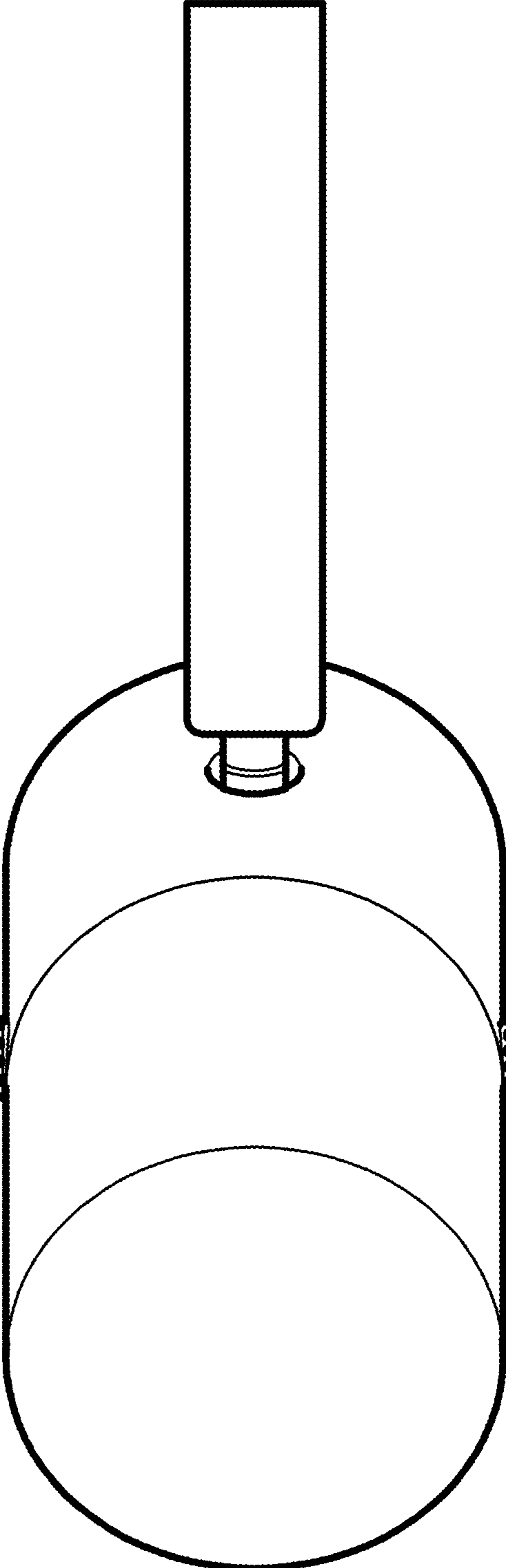
The ornamental design for a light, as shown and described.

**DESCRIPTION**

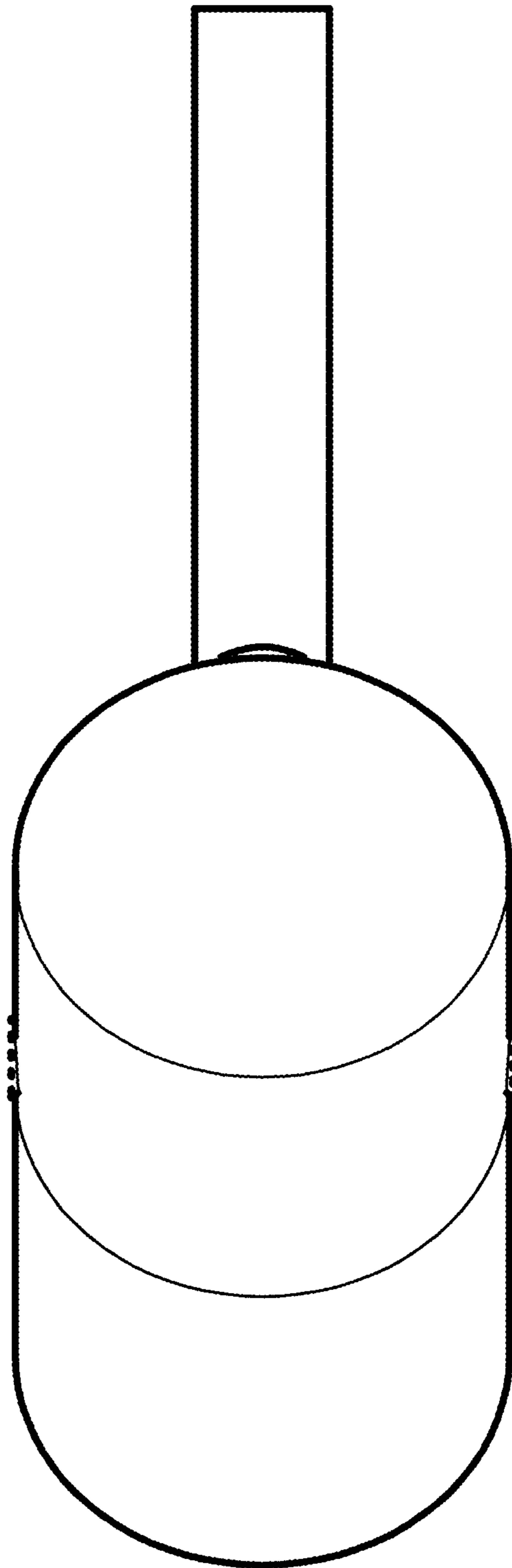
FIG. 1 is a front elevation view of a light;  
FIG. 2 is a rear elevation view of the light of FIG. 1;  
FIG. 3 is a left side view of the light of FIG. 1;  
FIG. 4 is a right side view of the light of FIG. 1;  
FIG. 5 is a top perspective view of the light of FIG. 1;  
FIG. 6 is a bottom perspective view of the light of FIG. 1;  
FIG. 7 is a right perspective view of the light; and,  
FIG. 8 is a left perspective view of the light.  
The elements and structures shown in dashed lines are  
shown for illustration purposes only and do not form part of  
the design.

**1 Claim, 8 Drawing Sheets**

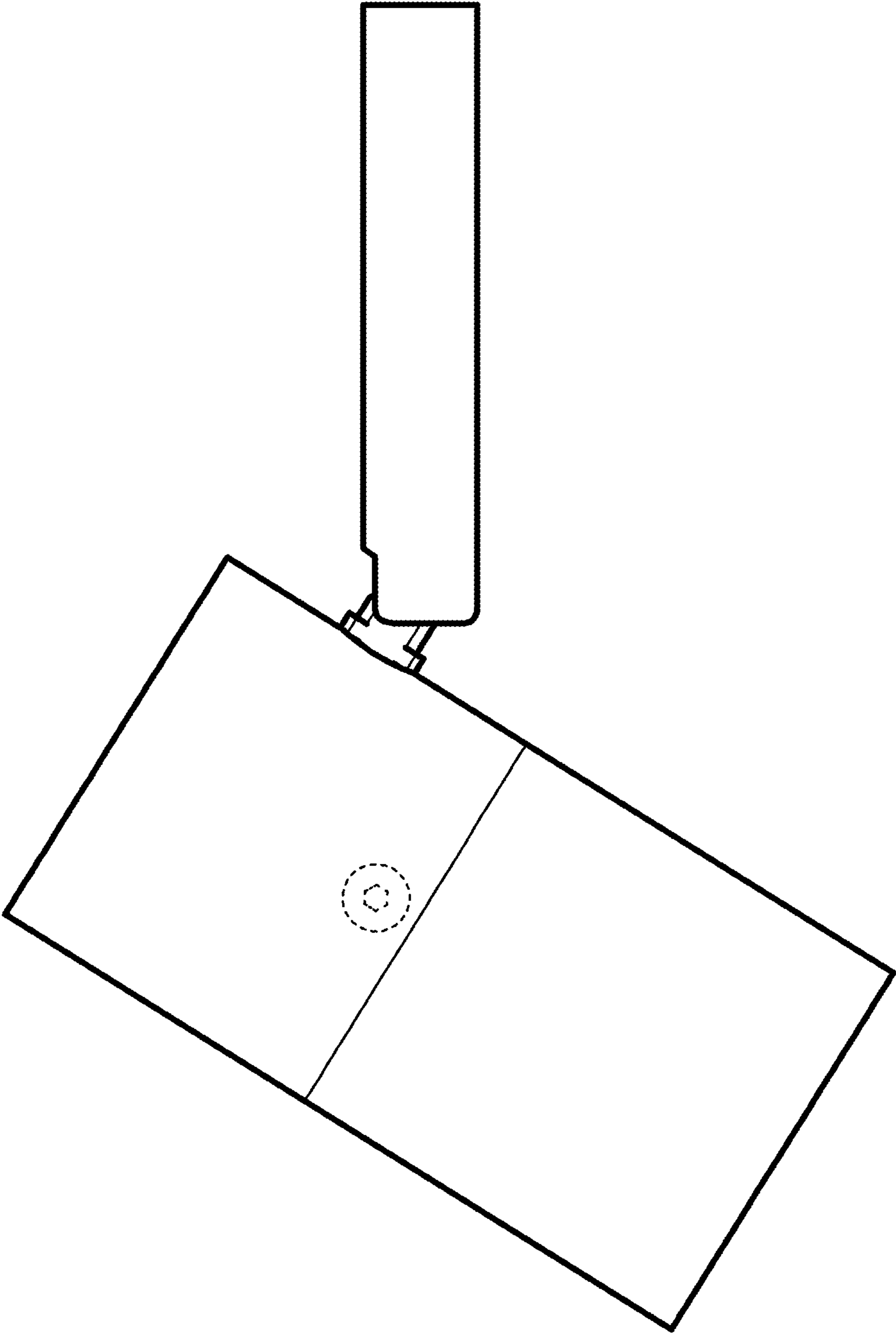




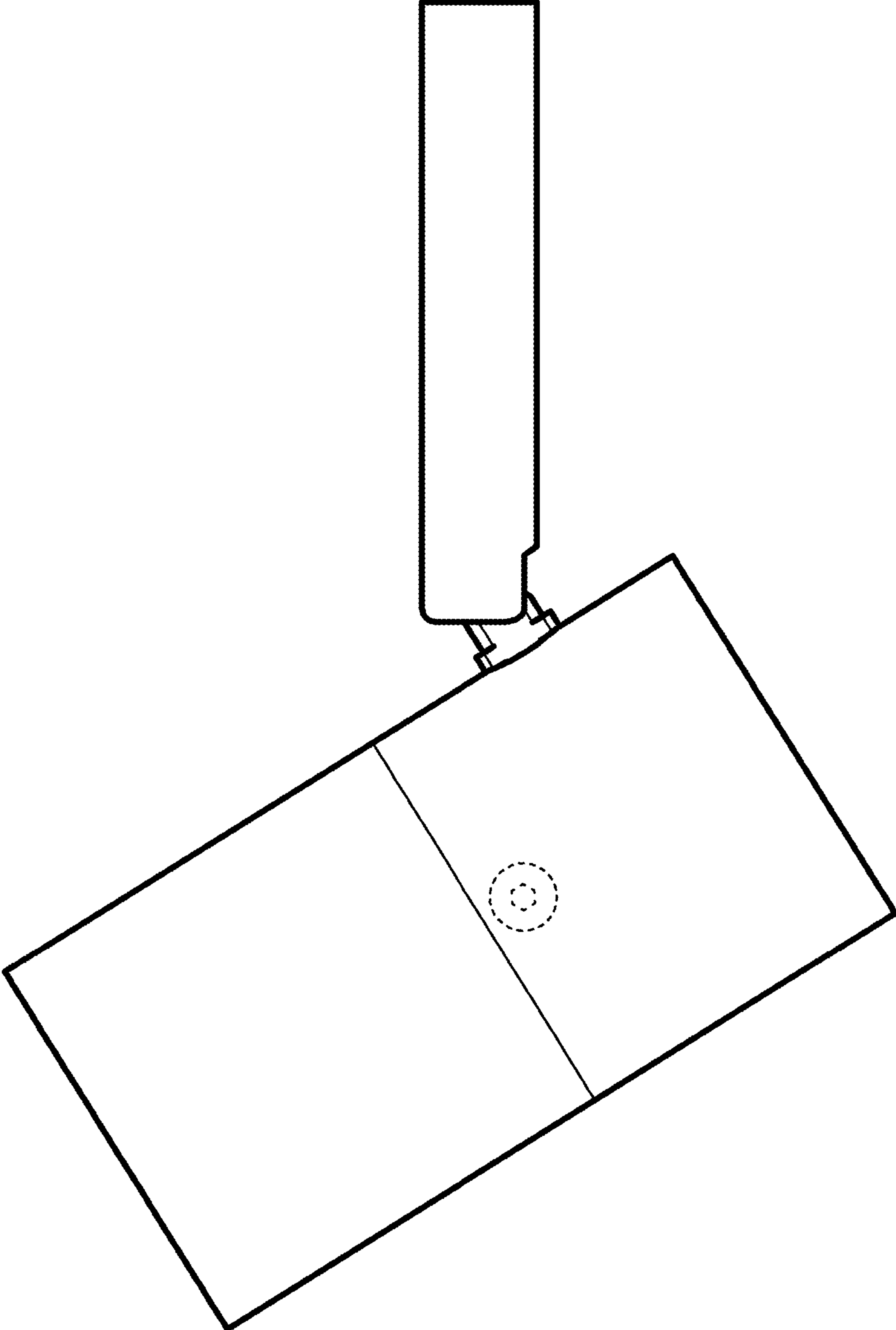
**FIG. 1**



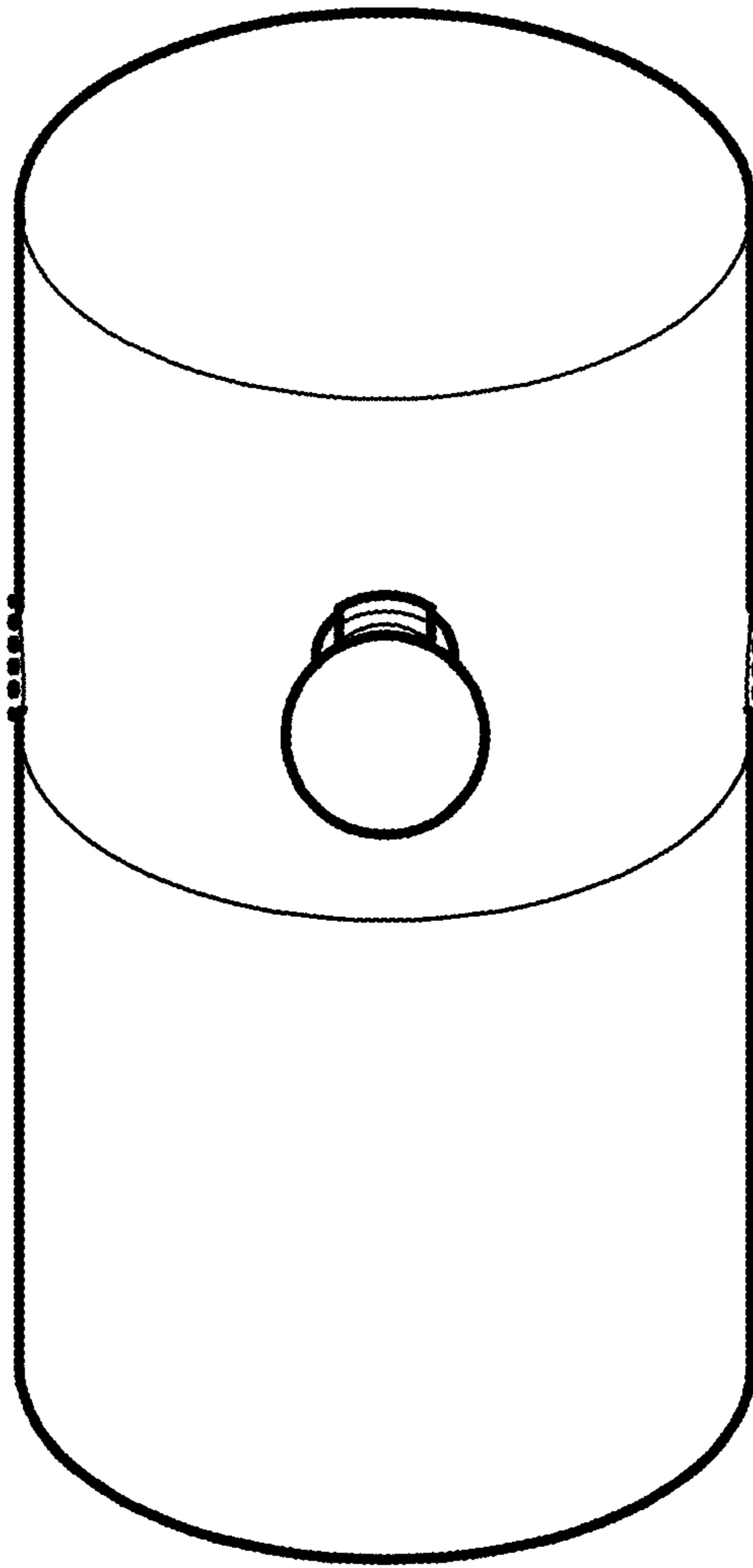
**FIG. 2**



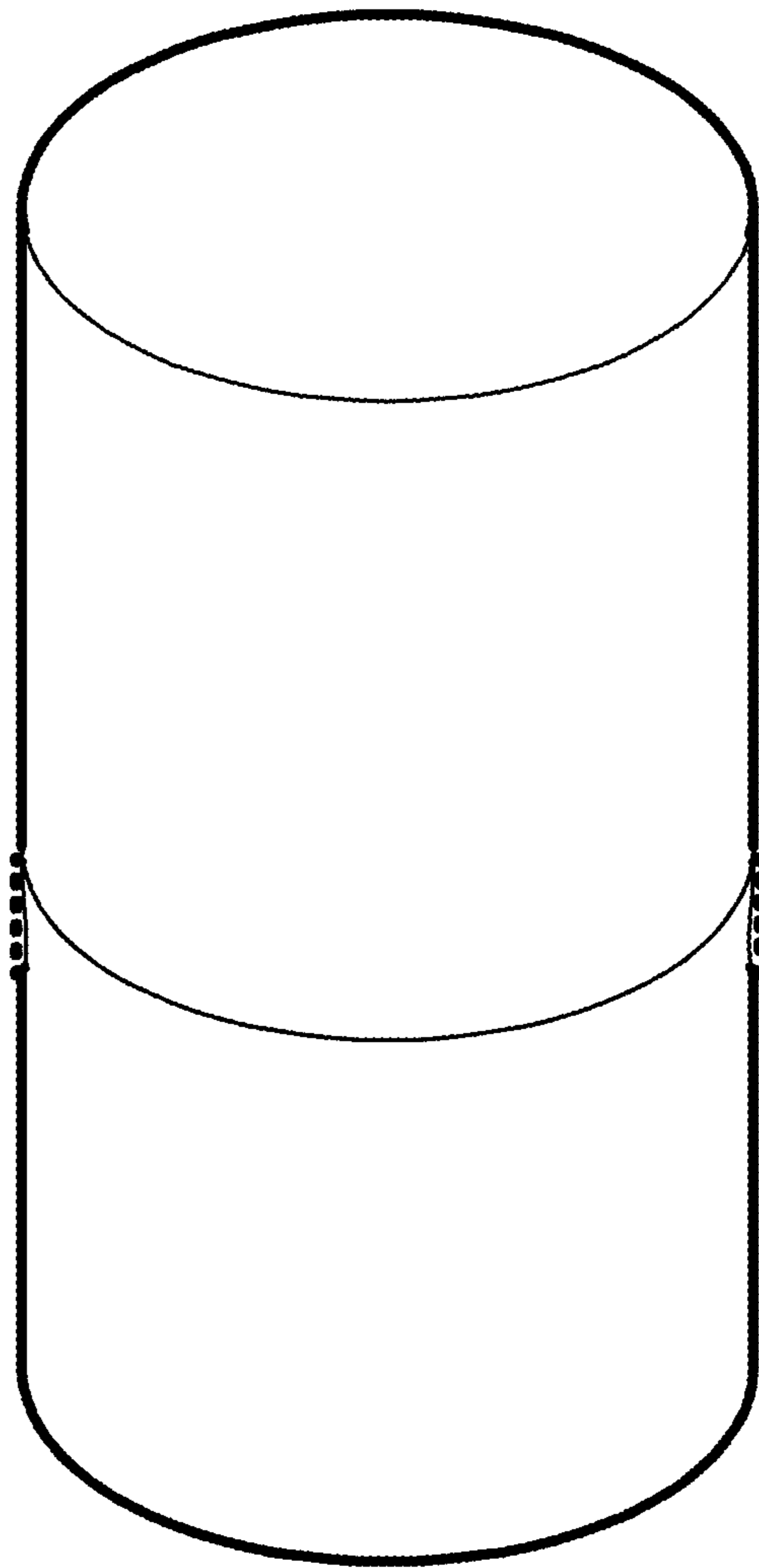
**FIG. 3**



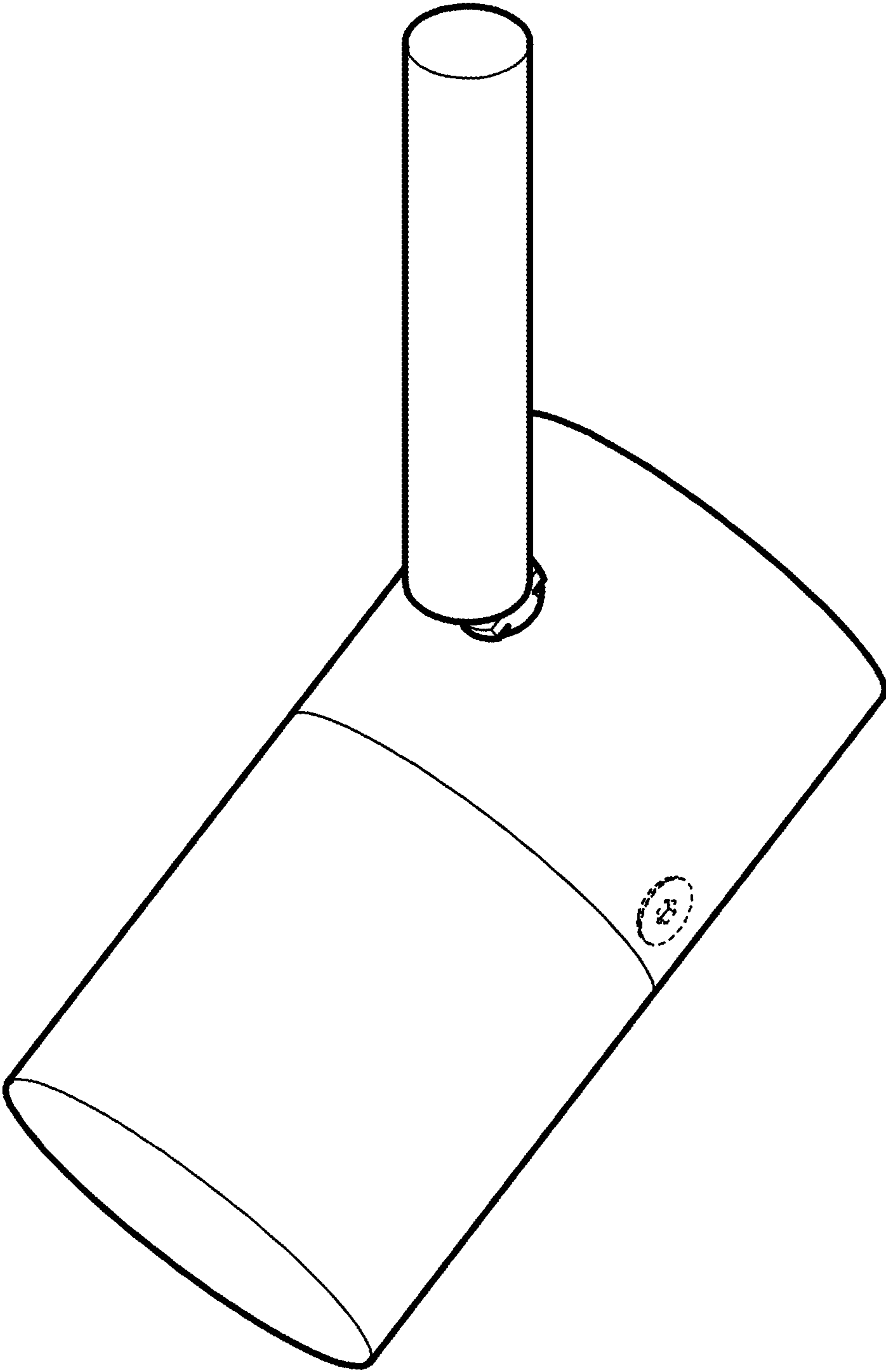
**FIG. 4**



**FIG. 5**

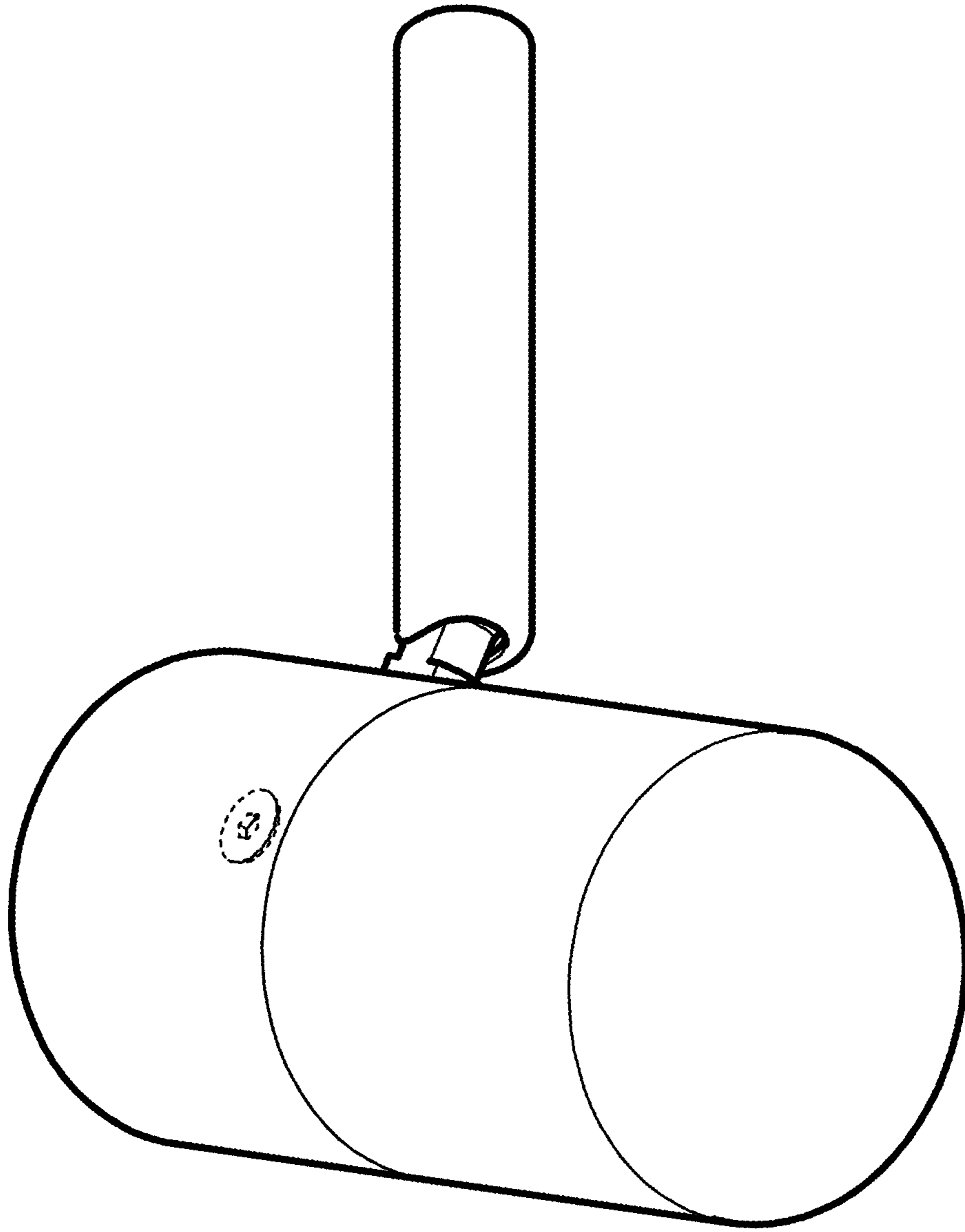


**FIG. 6**



**FIG. 7**





**FIG. 8**