



US00D775753S

(12) **United States Design Patent**  
**Bo**

(10) **Patent No.:** **US D775,753 S**  
(45) **Date of Patent:** **\*\* Jan. 3, 2017**

- (54) **FLASHLIGHT**
- (71) Applicant: **Anhui Inno-Sign International Co., Ltd.**, Hefei (CN)
- (72) Inventor: **Jin Bo**, Hefei (CN)
- (73) Assignee: **ANHUI INNO-SIGN INTERNATIONAL CO., LTD.** (CN)
- (\*\*) Term: **14 Years**
- (21) Appl. No.: **29/477,439**
- (22) Filed: **Dec. 20, 2013**
- (51) **LOC (10) Cl.** ..... **26-02**
- (52) **U.S. Cl.**  
USPC ..... **D26/49**
- (58) **Field of Classification Search**  
USPC ..... D26/37, 40, 41, 46, 49; 362/157, 158, 362/183, 184, 194-196, 200-208, 253  
CPC ..... F21L 2/00; F21L 4/00; F21L 4/005; F21L 17/00; F21L 13/08; F21Y 2101/00; F21V 21/30; F21V 21/406; F21W 2131/406; F21W 2131/407  
See application file for complete search history.

D501,267 S *	1/2005	Kung	.....	D26/37
D503,991 S *	4/2005	Dalton et al.	.....	D26/49
D507,067 S *	7/2005	Fritz et al.	.....	D26/49
D531,337 S *	10/2006	Dalton et al.	.....	D26/49
D600,841 S *	9/2009	Kung	.....	D26/46
D610,727 S *	2/2010	Nyssen	.....	D26/46
D639,476 S *	6/2011	Robinson	.....	D26/49
D645,509 S *	9/2011	Hung	.....	D19/41
D706,475 S *	6/2014	Lee	.....	D26/49

\* cited by examiner

*Primary Examiner* — Ian Simmons  
*Assistant Examiner* — Carissa C Fitts  
(74) *Attorney, Agent, or Firm* — Richards Patent Law P.C.

(57) **CLAIM**

The ornamental design for a flashlight, as shown and described.

**DESCRIPTION**

FIG. 1 is a perspective view of the flashlight.  
FIG. 2 is a front side view of the flashlight;  
FIG. 3 is a back side view thereof;  
FIG. 4 is a left side view thereof;  
FIG. 5 is a right side view thereof  
FIG. 6 is a top view thereof; and,  
FIG. 7 is a bottom view thereof.  
The broken line showing is for environmental purposes only and forms no part of the claimed design.

**1 Claim, 6 Drawing Sheets**

- (56) **References Cited**  
U.S. PATENT DOCUMENTS
- D274,949 S \* 7/1984 Bandiera ..... D26/49
- D403,737 S \* 1/1999 Howe et al. .... D22/139
- D419,254 S \* 1/2000 Chiu ..... D26/49
- D493,008 S \* 7/2004 Brent ..... D26/49
- D501,056 S \* 1/2005 Dalton et al. .... D26/49

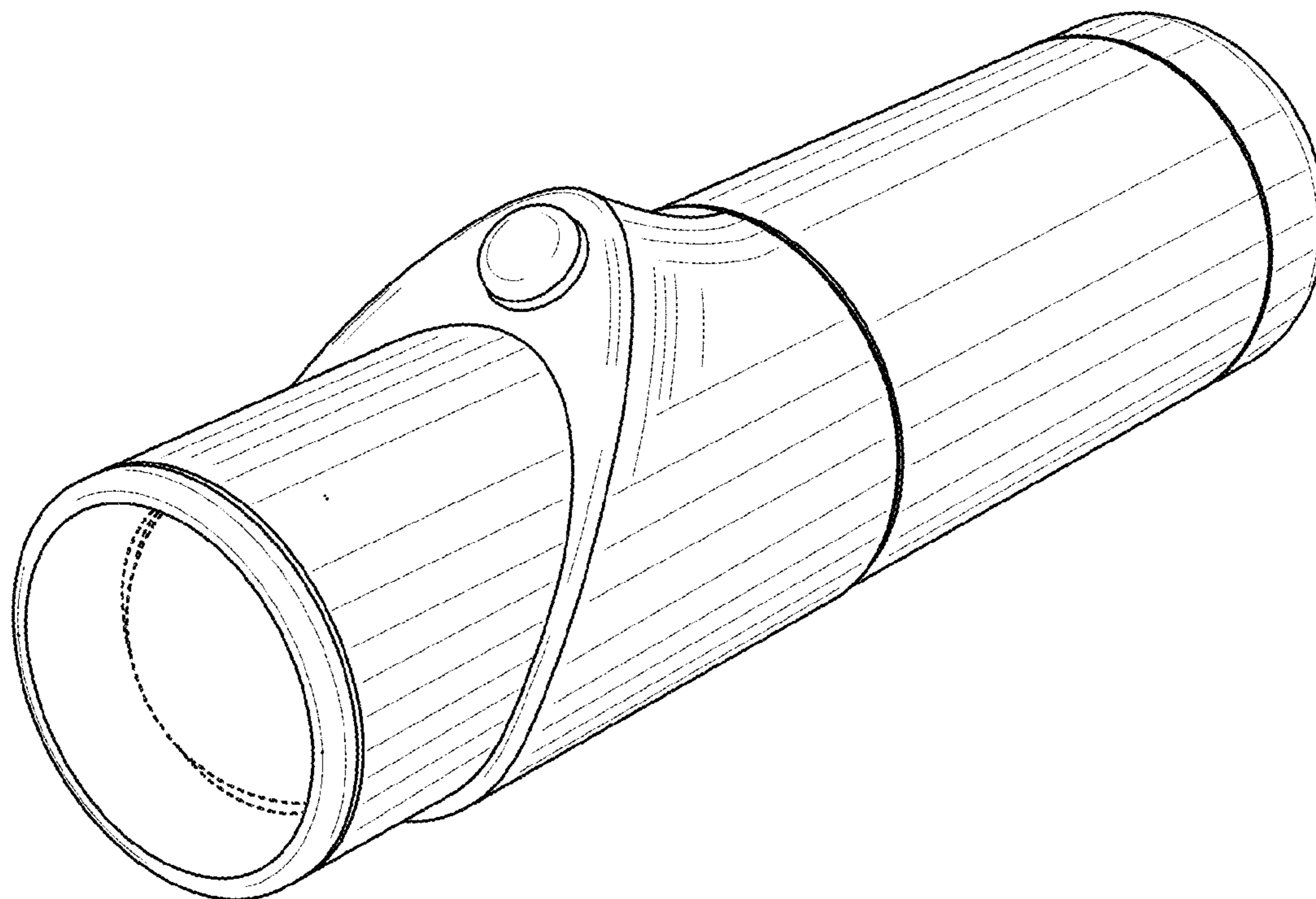


FIG. 1

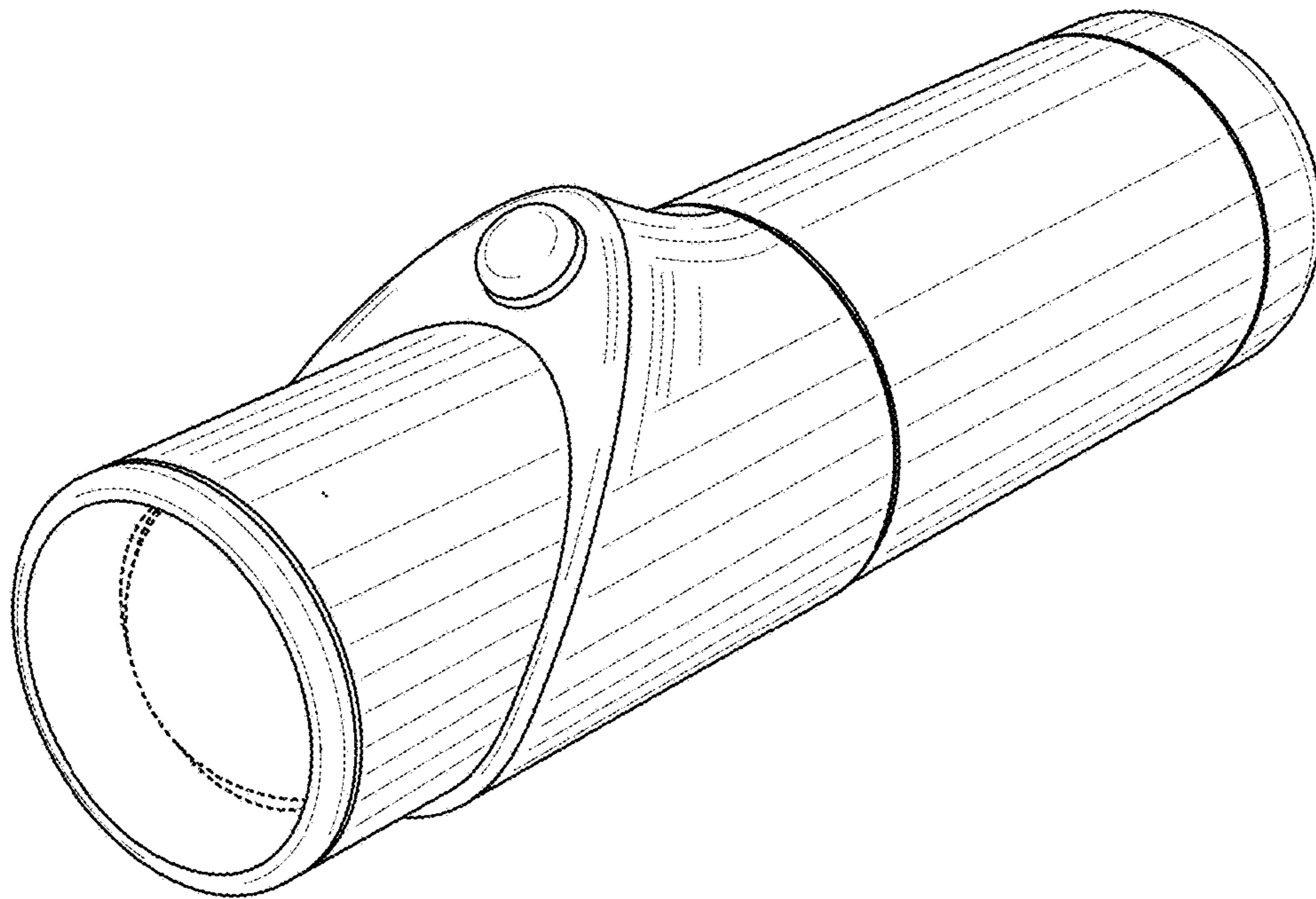


FIG. 2

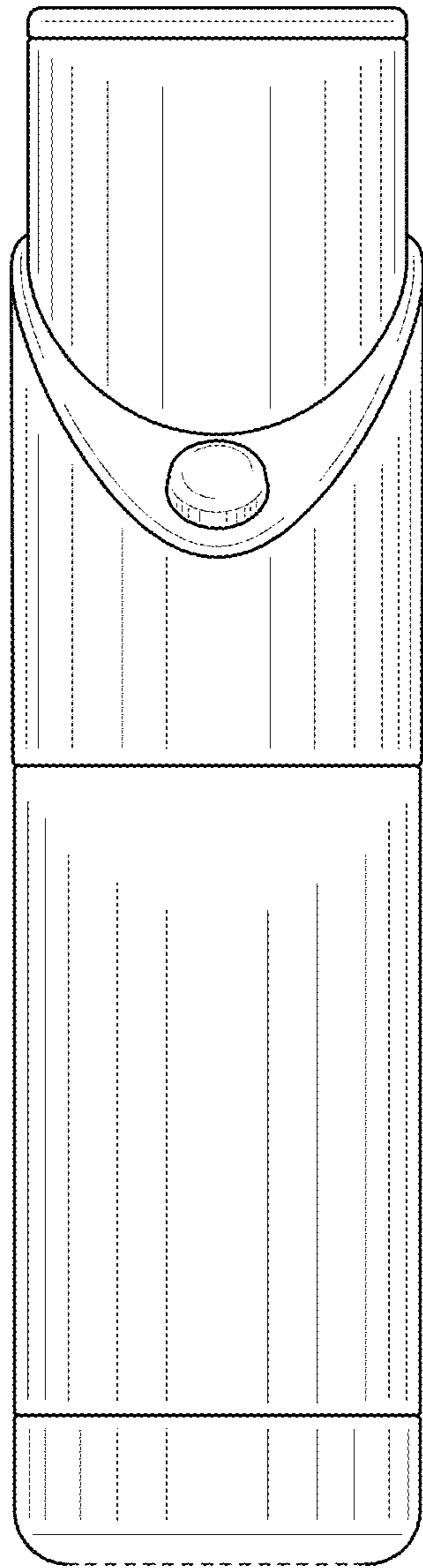


FIG. 3

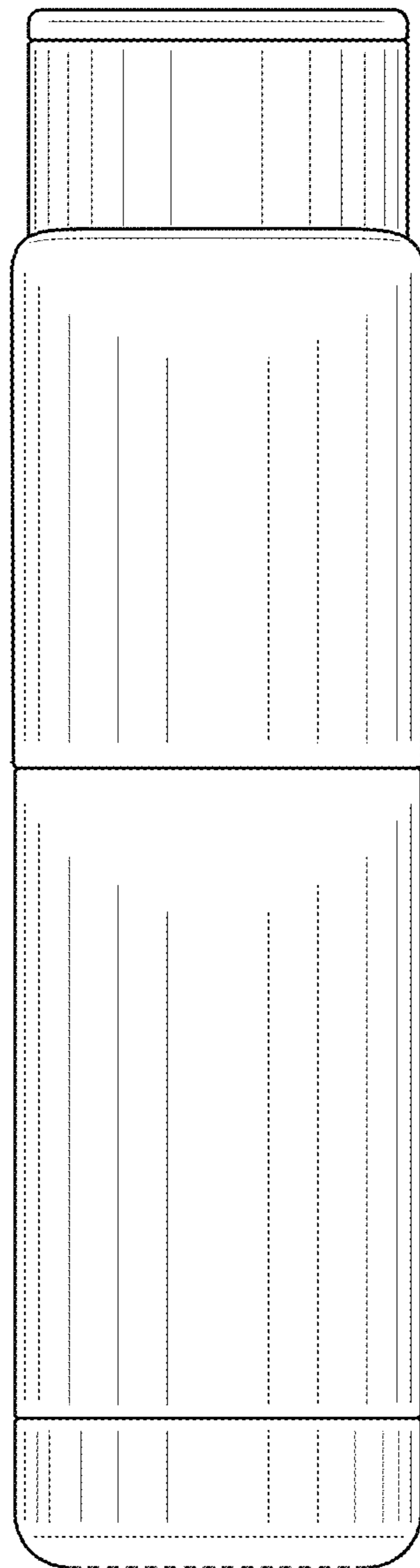


FIG. 4

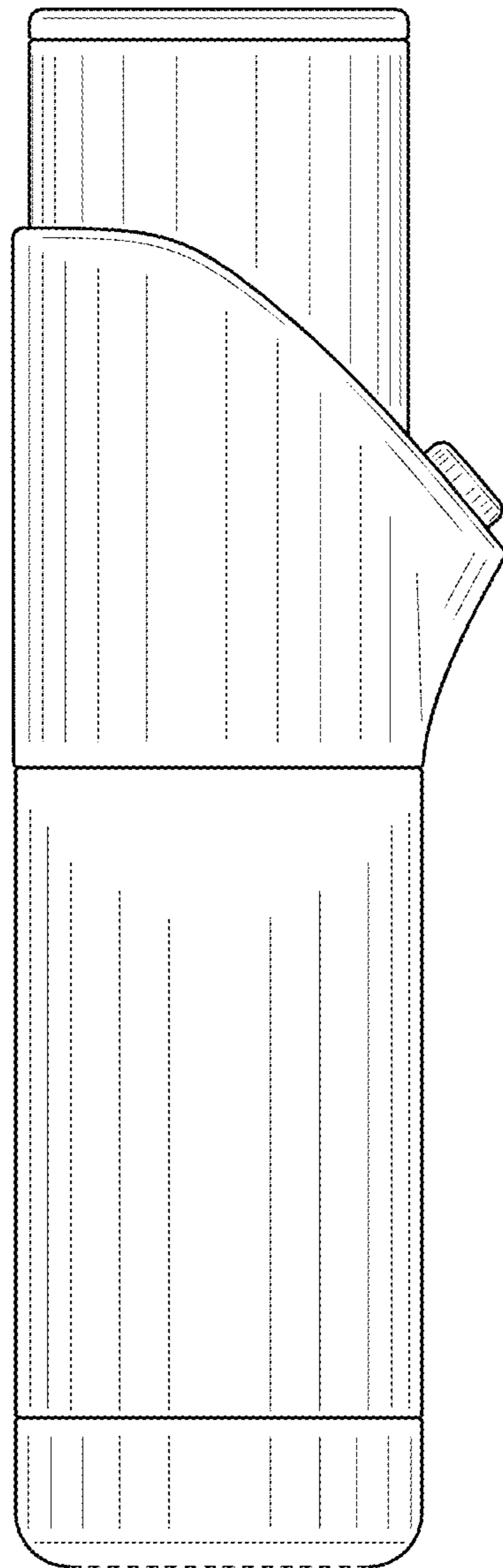


FIG. 5

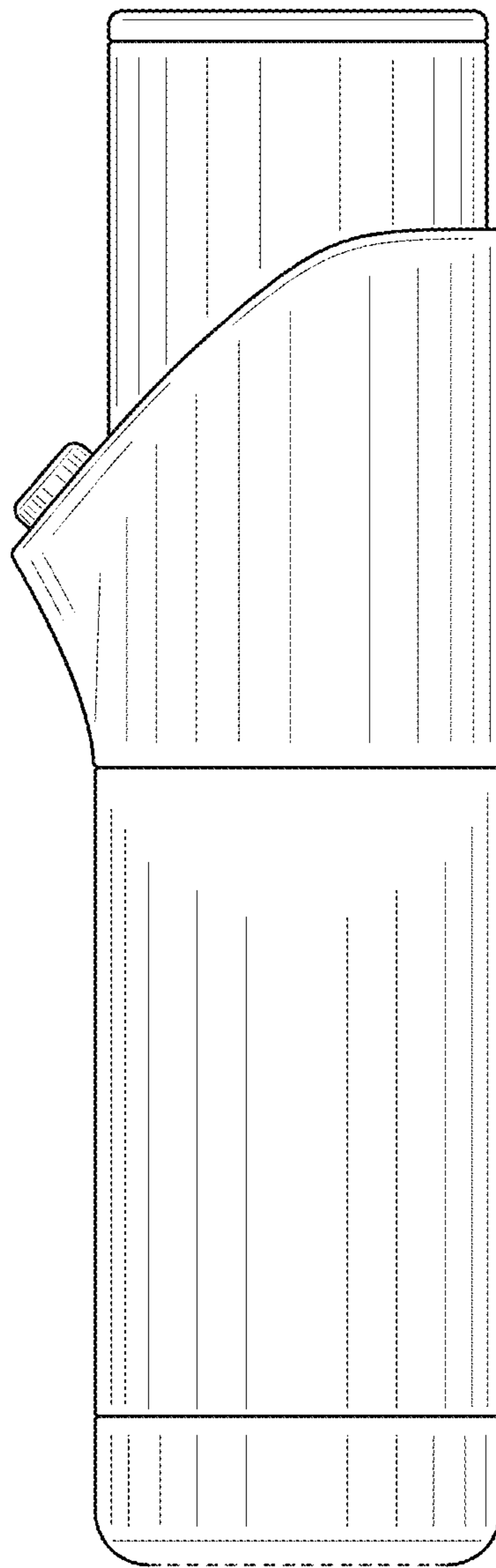




FIG.6

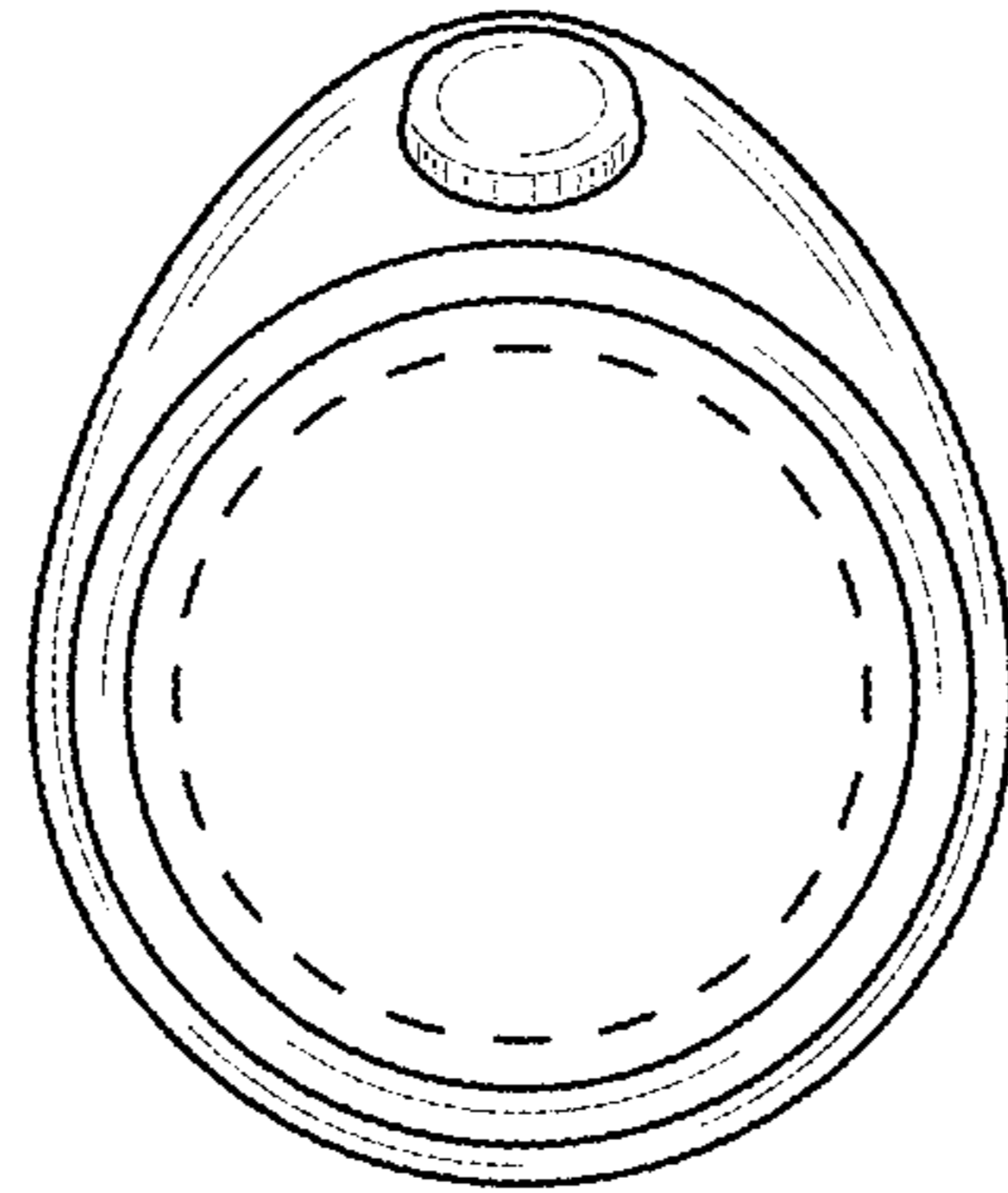


FIG.7

