



US00D775752S

(12) **United States Design Patent** (10) **Patent No.:** **US D775,752 S**
Nook et al. (45) **Date of Patent:** **** Jan. 3, 2017**

(54) **RECHARGEABLE DEVICE WITH FLASHLIGHT AND ELECTRONIC DEVICE CHARGER**

(71) Applicants: **Jonathan Lewis Nook**, Gates Mills, OH (US); **William Knight Nook, Sr.**, Shaker Heights, OH (US); **James Richard Stanfield**, Peoria, AZ (US); **Derek Michael Underhill**, Tempe, AZ (US)

(72) Inventors: **Jonathan Lewis Nook**, Gates Mills, OH (US); **William Knight Nook, Sr.**, Shaker Heights, OH (US); **James Richard Stanfield**, Peoria, AZ (US); **Derek Michael Underhill**, Tempe, AZ (US)

(73) Assignee: **THE NOCO COMPANY**, Glenwillow, OH (US)

(**) Term: **14 Years**

(21) Appl. No.: **29/439,179**

(22) Filed: **Dec. 7, 2012**

(51) **LOC (10) Cl.** **26-02**

(52) **U.S. Cl.**
USPC **D26/38**

(58) **Field of Classification Search**
USPC D26/37, 38, 46, 51; 362/157, 158, 183, 362/184, 194–196, 200–208, 253; D14/432, D14/434; D13/107–110, D13/118–119, 184; 320/107–115
(Continued)

(56) **References Cited**

U.S. PATENT DOCUMENTS

D357,990 S * 5/1995 Cheng D13/108
D485,925 S * 1/2004 Oas D26/38
(Continued)

Primary Examiner — Ian Simmons
Assistant Examiner — Carissa C Fitts

(74) *Attorney, Agent, or Firm* — Vorys, Sater, Seymour and Pease LLP; William L. Klima

(57) **CLAIM**

The ornamental design for an rechargeable device with flashlight and electronic device charger, as shown and described.

DESCRIPTION

FIG. 1 is a perspective view for an rechargeable device with flashlight and electronic device charger;
FIG. 2 is a front elevational view of the rechargeable device with flashlight and electronic device charger as seen in FIG. 1;
FIG. 3 is a rear elevational view of the rechargeable device with flashlight and electronic device charger as seen in FIG. 1;
FIG. 4 is a left-side view of the rechargeable device with flashlight and electronic device charger as seen in FIG. 1;
FIG. 5 is a right-side view of the rechargeable device with flashlight and electronic device charger as seen in FIG. 1;
FIG. 6 is a top planar view of the rechargeable device with flashlight and electronic device charger as seen in FIG. 1;
FIG. 7 is a bottom planar view of the rechargeable device with flashlight and electronic device charger as seen in FIG. 1;
FIG. 8 is a perspective view for the flashlight;
FIG. 9 is a front elevational view of the flashlight as seen in FIG. 8;
FIG. 10 is a rear elevational view of the flashlight as seen in FIG. 8;
FIG. 11 is a left-side view of the flashlight as seen in FIG. 8;
FIG. 12 is a right-side view of the flashlight as seen in FIG. 8;
FIG. 13 is a top planar view of the flashlight as seen in FIG. 8;
FIG. 14 is a bottom planar view of the flashlight as seen in FIG. 8;
FIG. 15 is a perspective view for the electronic device charger;
FIG. 16 is a front elevational view of the electronic device charger as seen in FIG. 15;

(Continued)

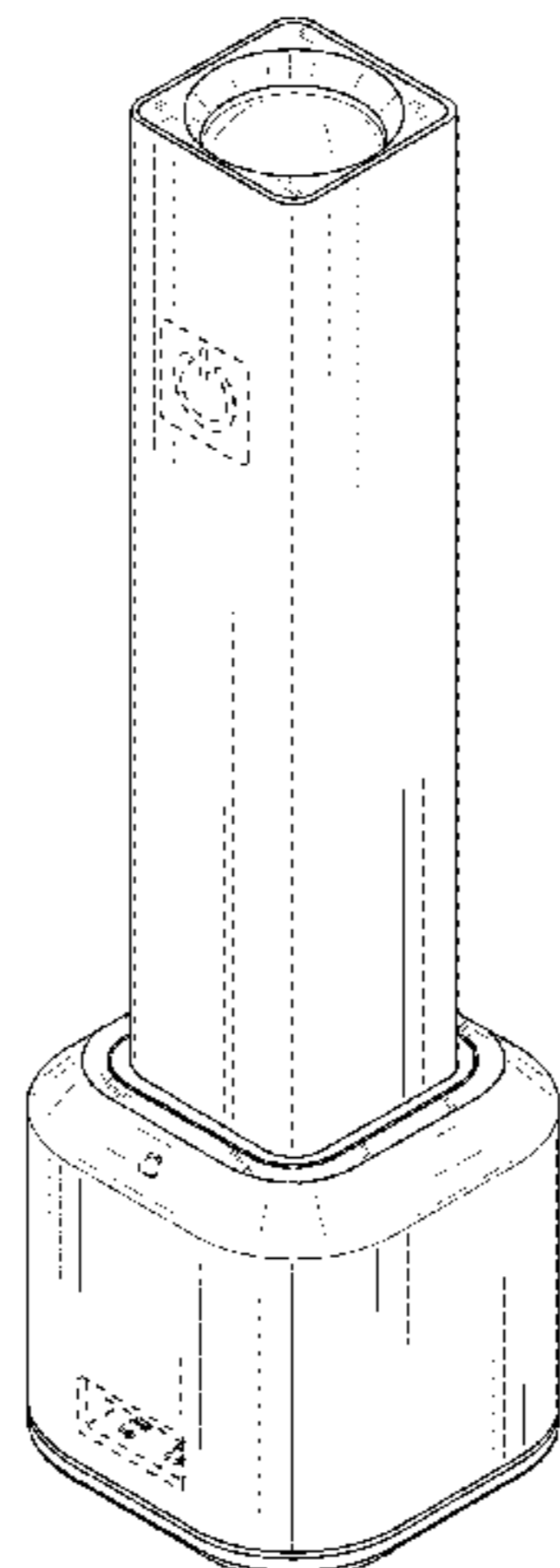


FIG. 17 is a rear elevational view of the electronic device charger as seen in FIG. 15;
 FIG. 18 is a left-side view of the electronic device charger as seen in FIG. 15;
 FIG. 19 is a right-side view of the electronic device charger as seen in FIG. 15;
 FIG. 20 is a top planar view of the electronic device charger as seen in FIG. 15; and,
 FIG. 21 is a bottom planar view of the electronic device charger as seen in FIG. 15.
 The parts delineated in dashed lines are not part of the claimed design.

1 Claim, 14 Drawing Sheets

(58) **Field of Classification Search**
 CPC F21V 33/00; F21V 14/025; F21V 21/406;
 F21Y 2101/02; F21L 17/00; F21L 13/08
 See application file for complete search history.

(56)

References Cited

U.S. PATENT DOCUMENTS

D496,480	S	*	9/2004	Slattery	D26/38
D539,456	S	*	3/2007	Sassoon	D26/37
D551,368	S	*	9/2007	Shiu	D26/37
D555,820	S	*	11/2007	Lam	D26/38
D581,566	S	*	11/2008	Slawson	D24/135
D596,771	S	*	7/2009	Lee	D26/46
D602,615	S	*	10/2009	Liu	D13/108
D623,322	S	*	9/2010	Wallach	D13/108
D642,301	S	*	7/2011	Rothman	D26/26
D656,259	S	*	3/2012	Ku	D26/37
D687,583	S	*	8/2013	von Waldthausen	D26/46
D699,378	S	*	2/2014	DiLuciano	D26/37
D730,282	S	*	5/2015	Miller	D13/103

* cited by examiner

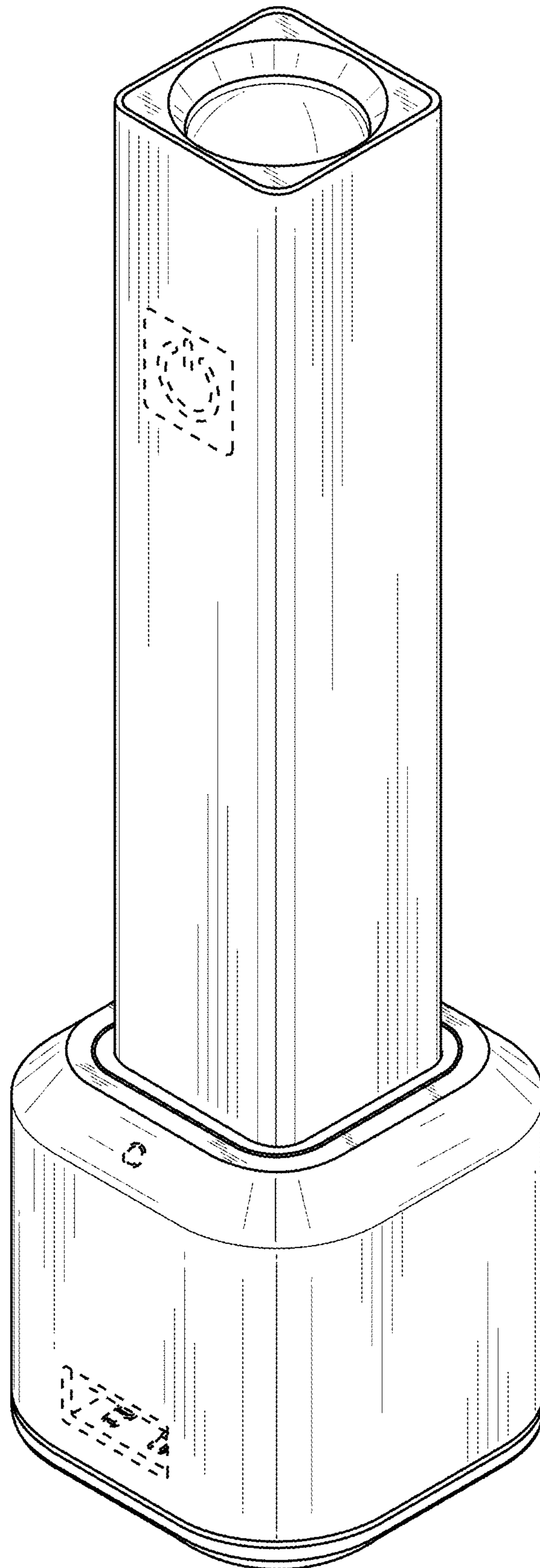


FIG. 1

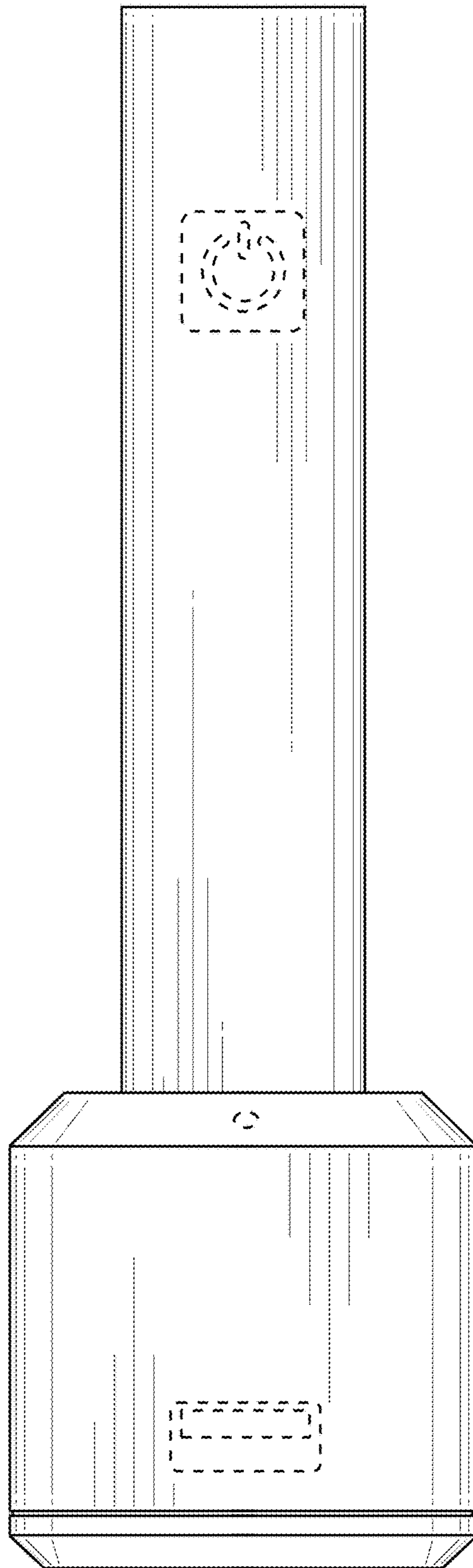


FIG. 2

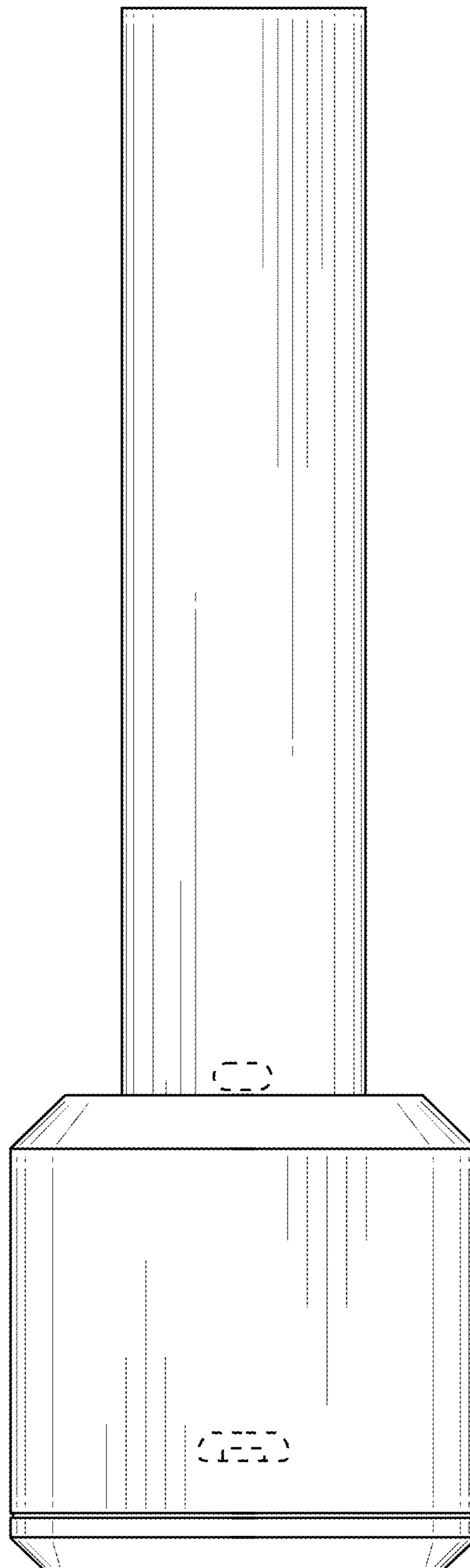


FIG. 3

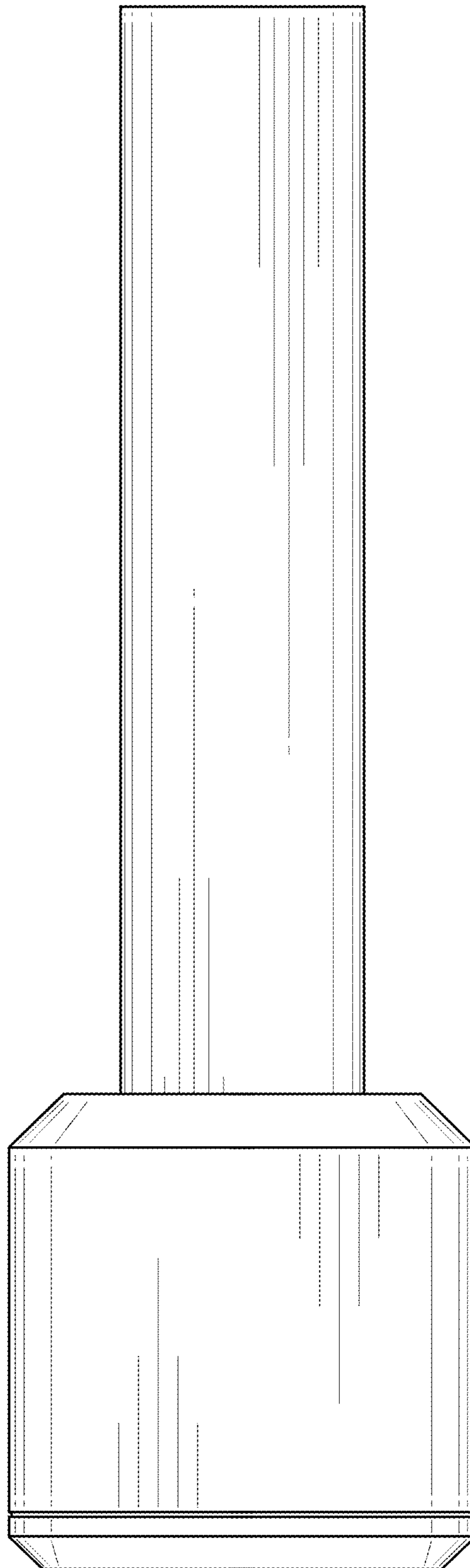


FIG. 4

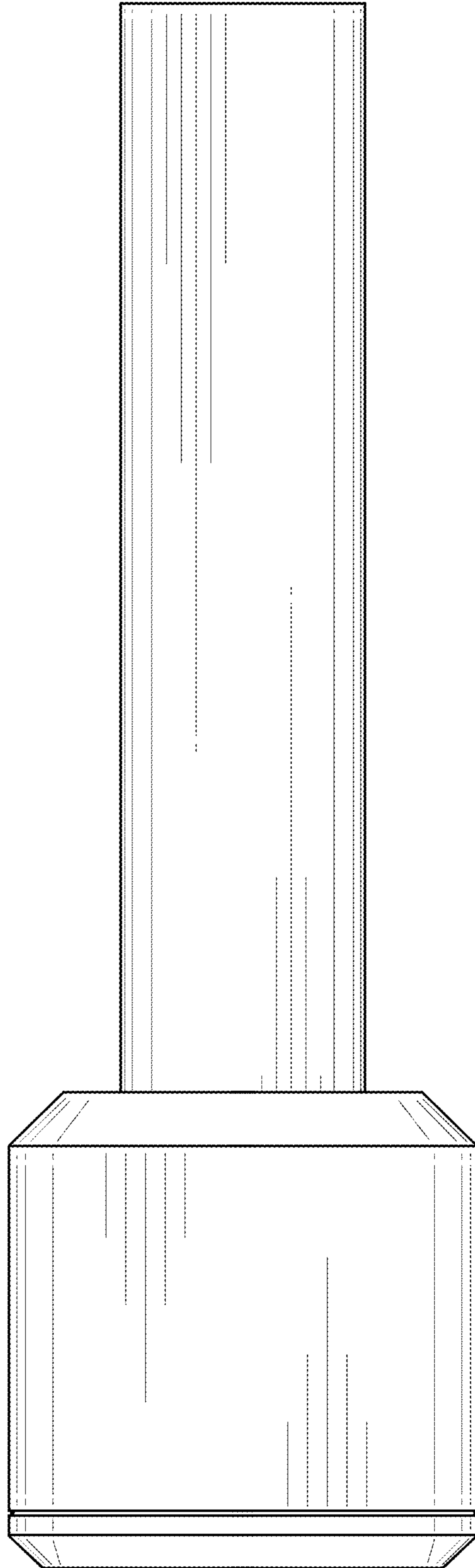


FIG. 5

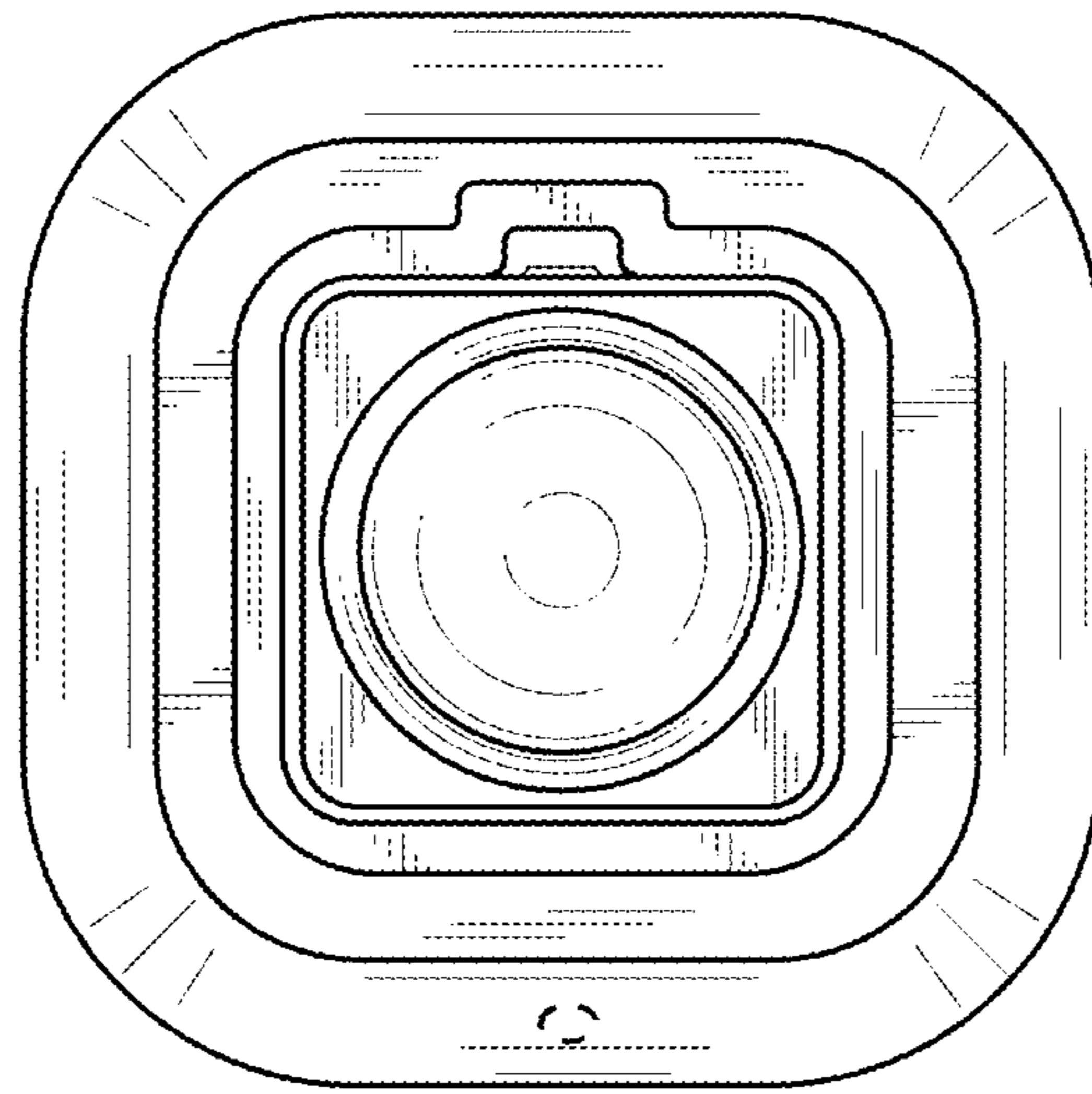


FIG. 6

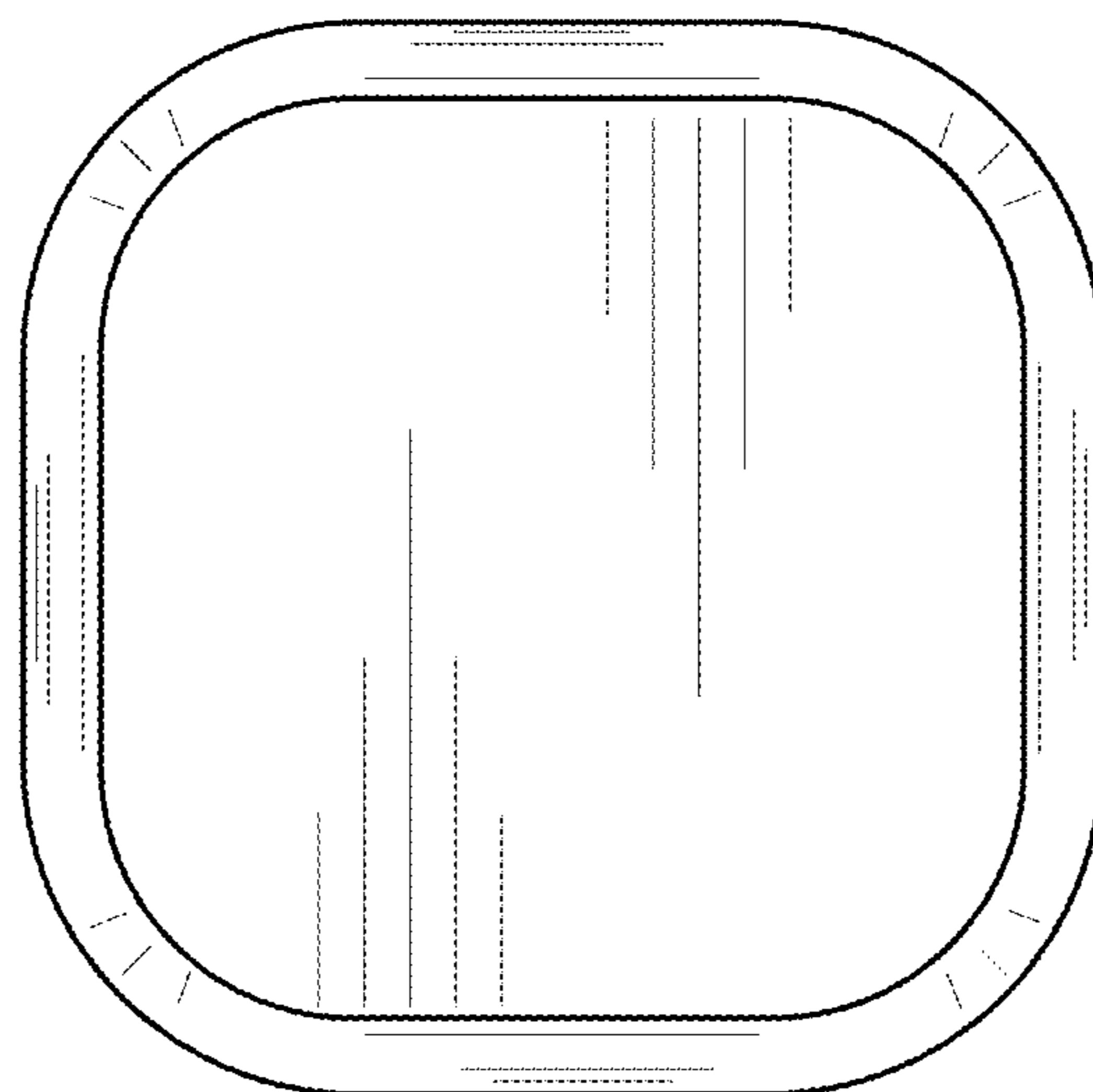


FIG. 7

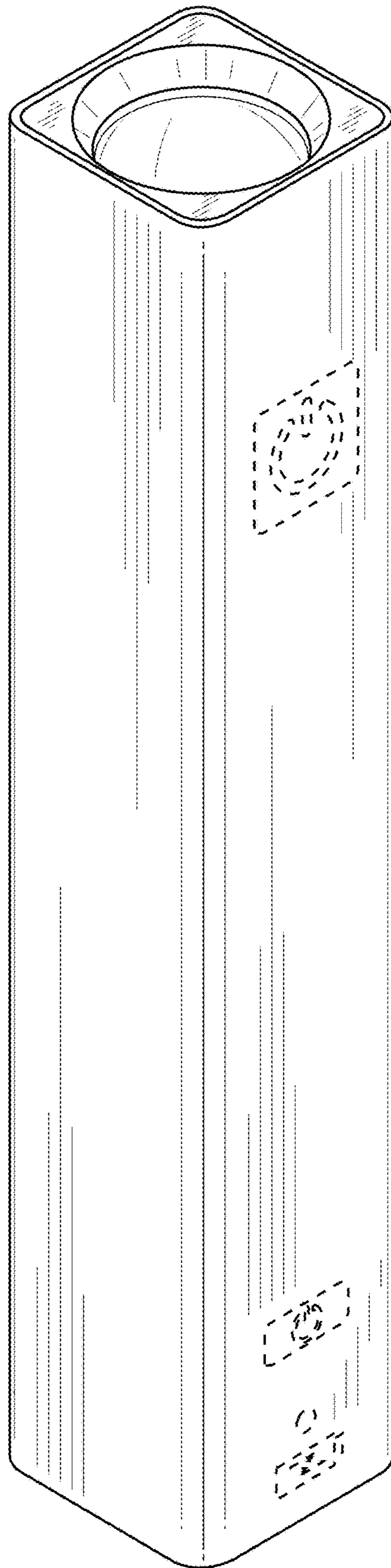


FIG. 8

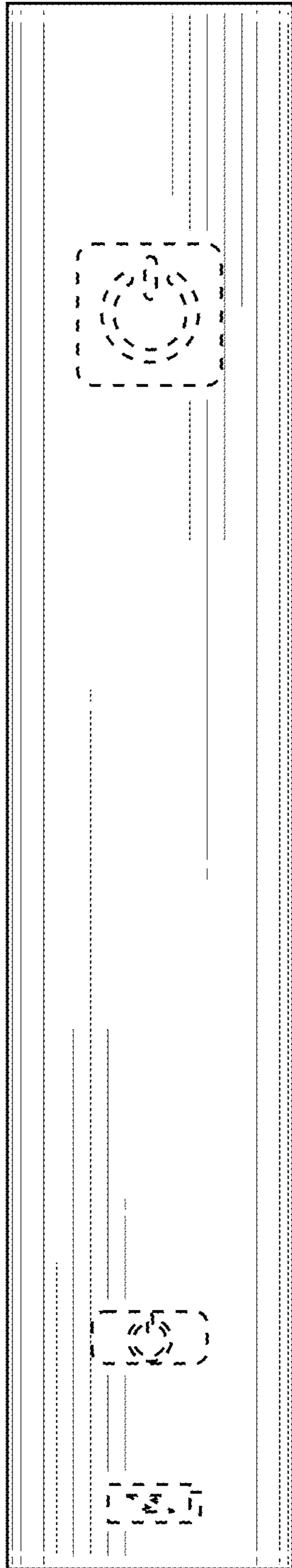


FIG. 9

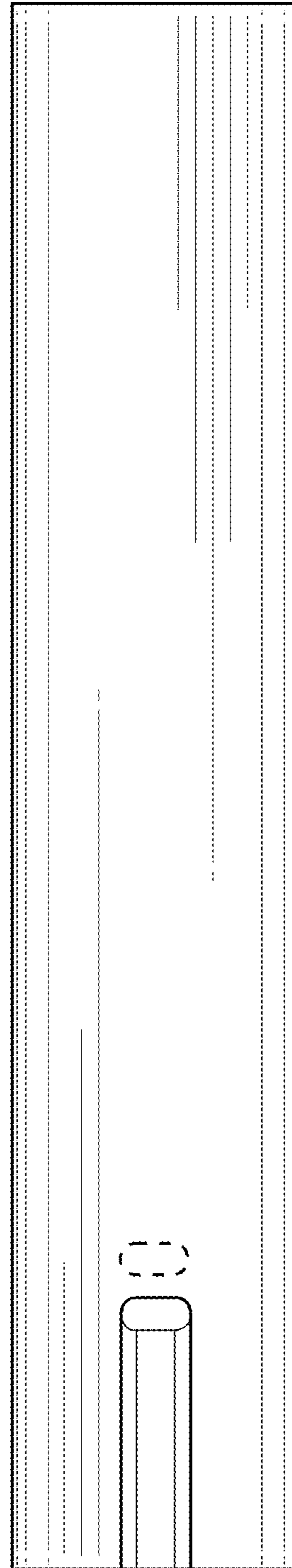


FIG. 10

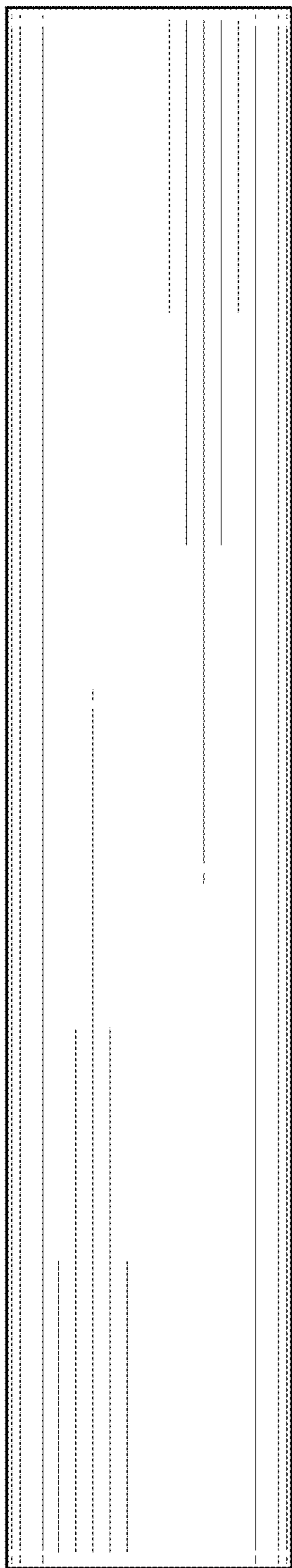


FIG. 11

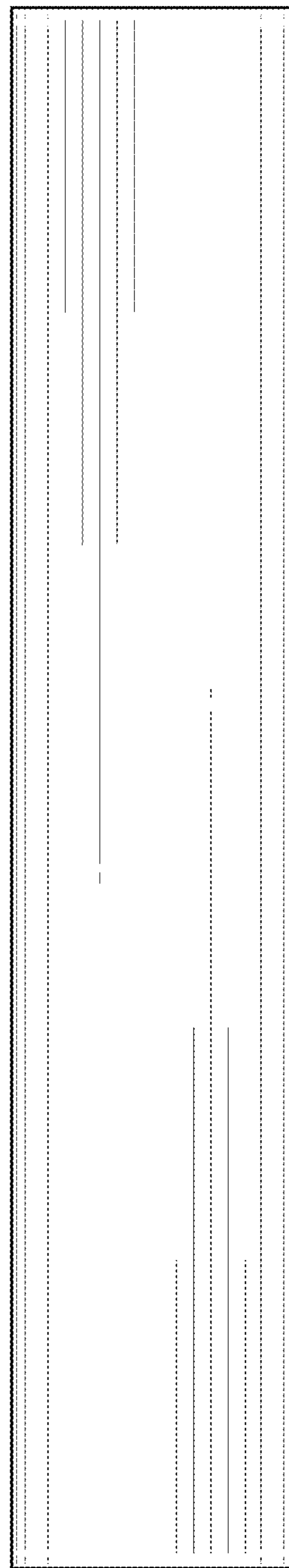


FIG. 12

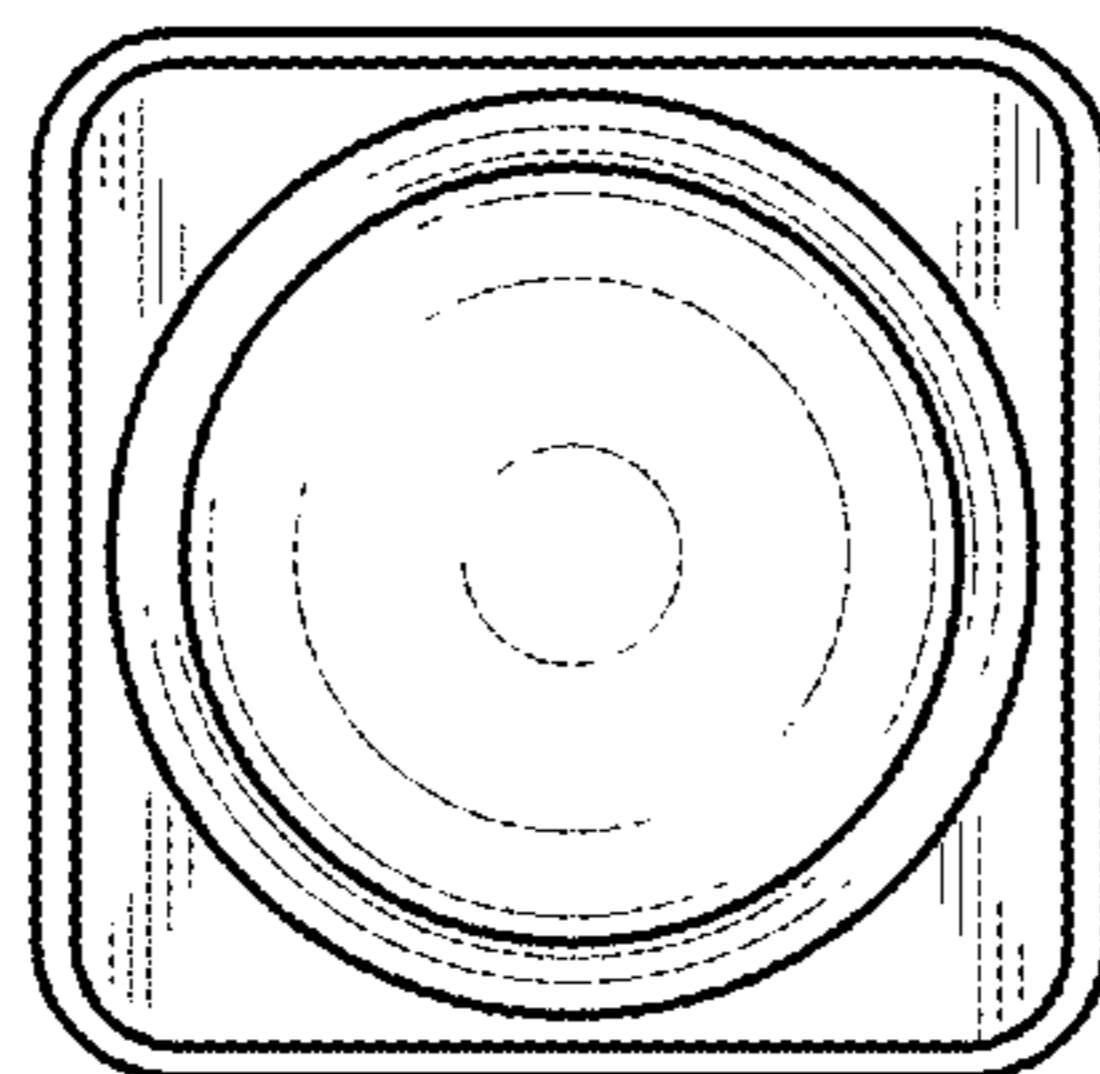


FIG. 13

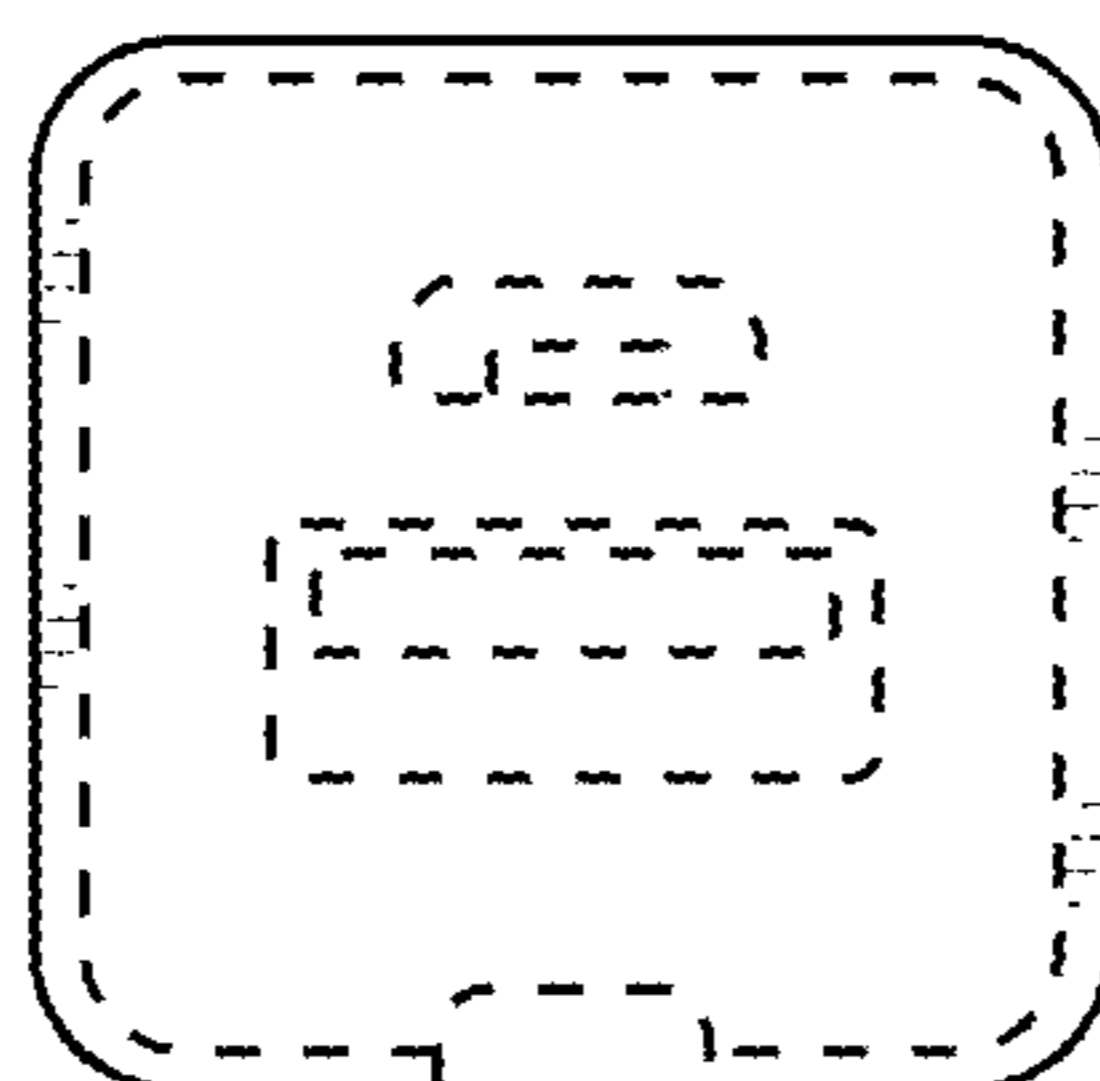


FIG. 14

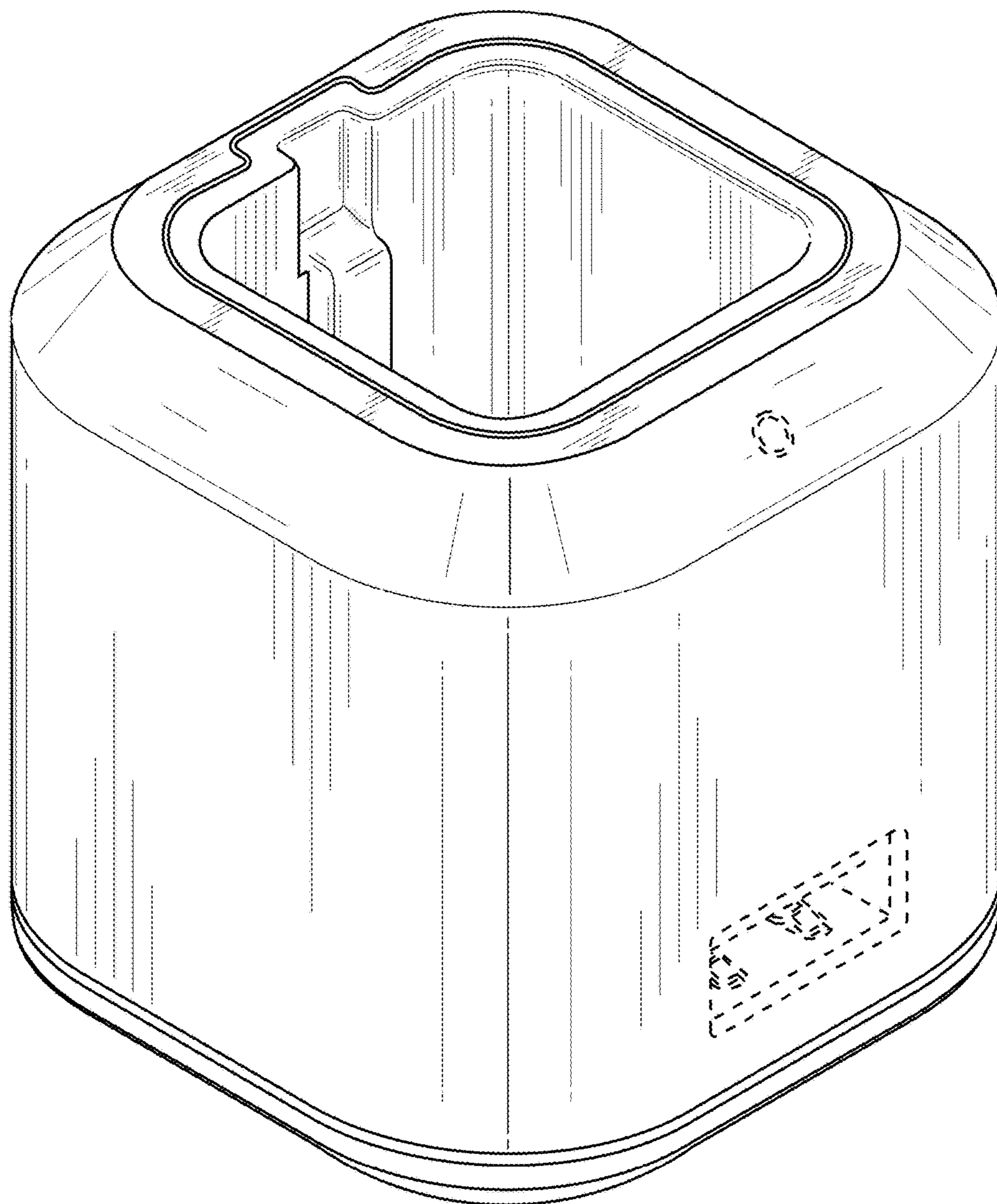


FIG. 15

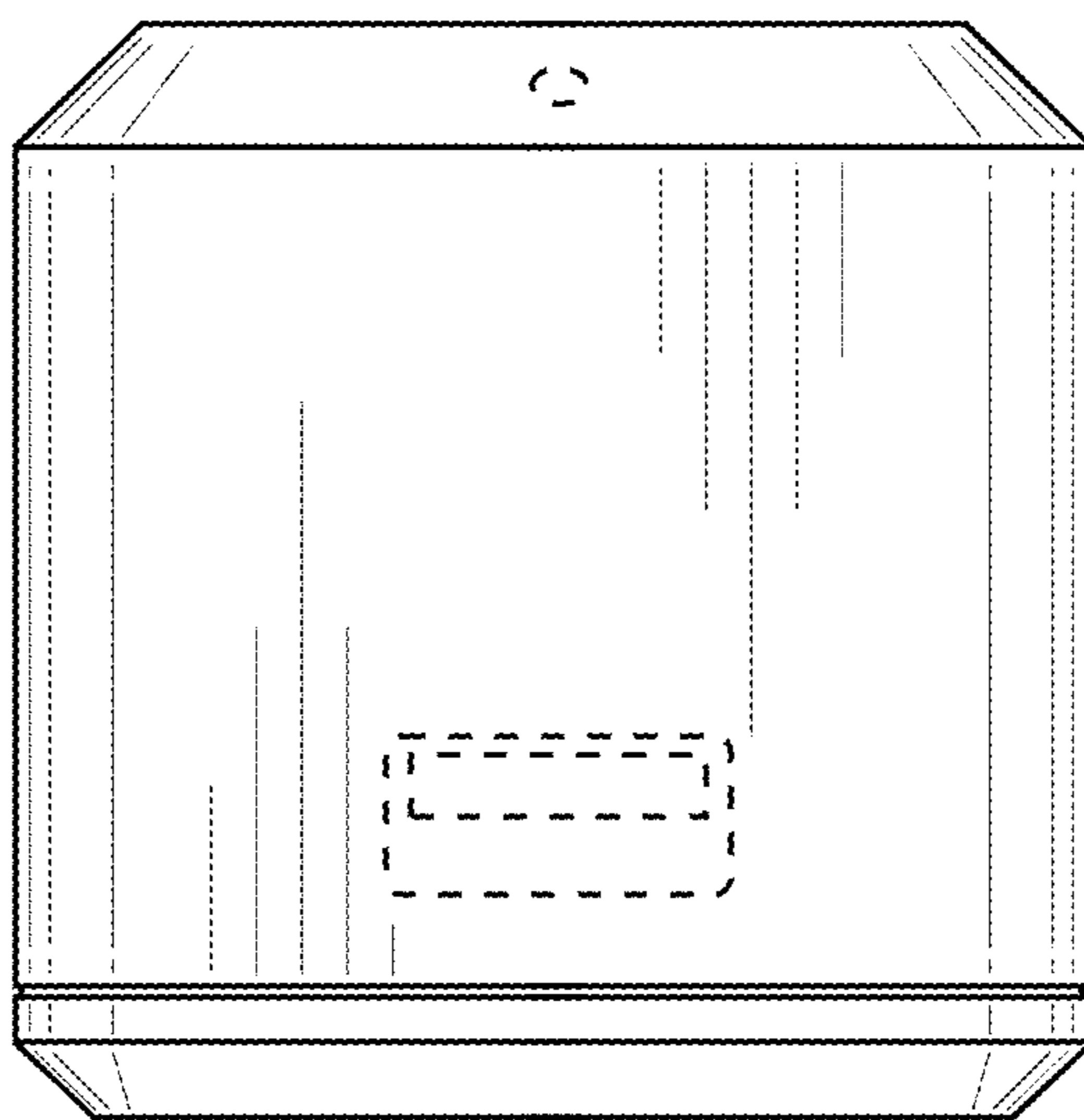


FIG. 16

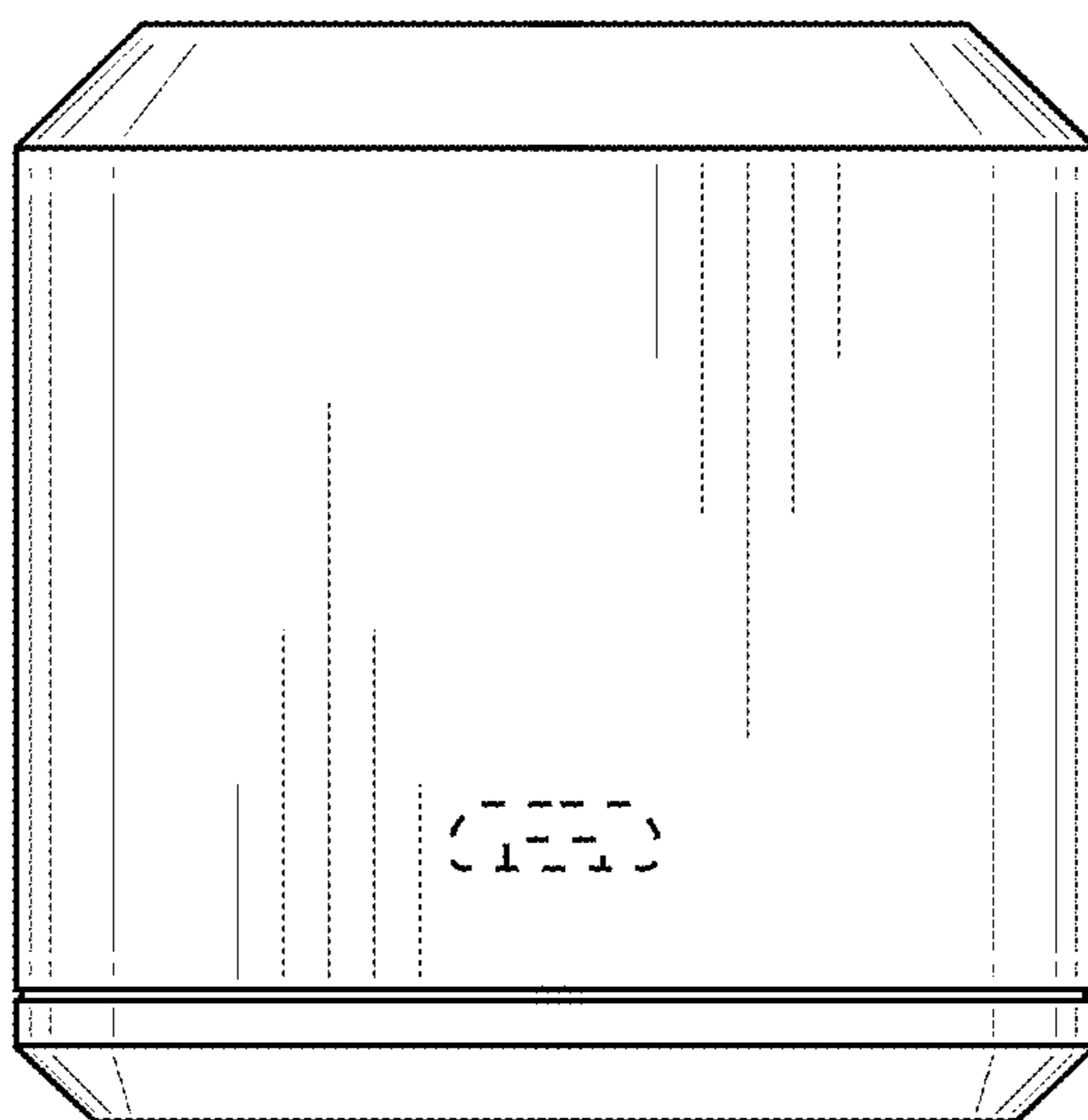


FIG. 17

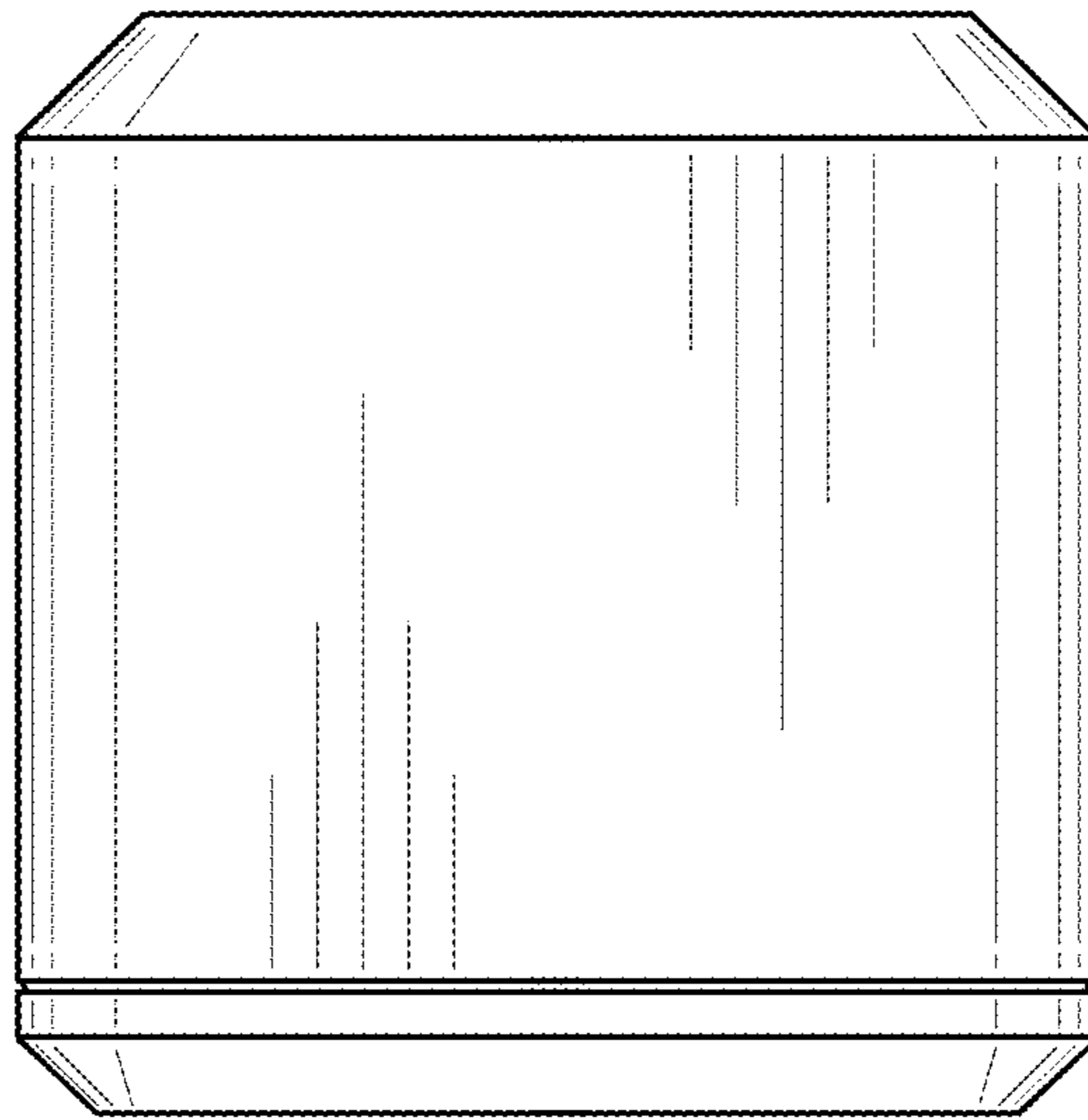


FIG. 18

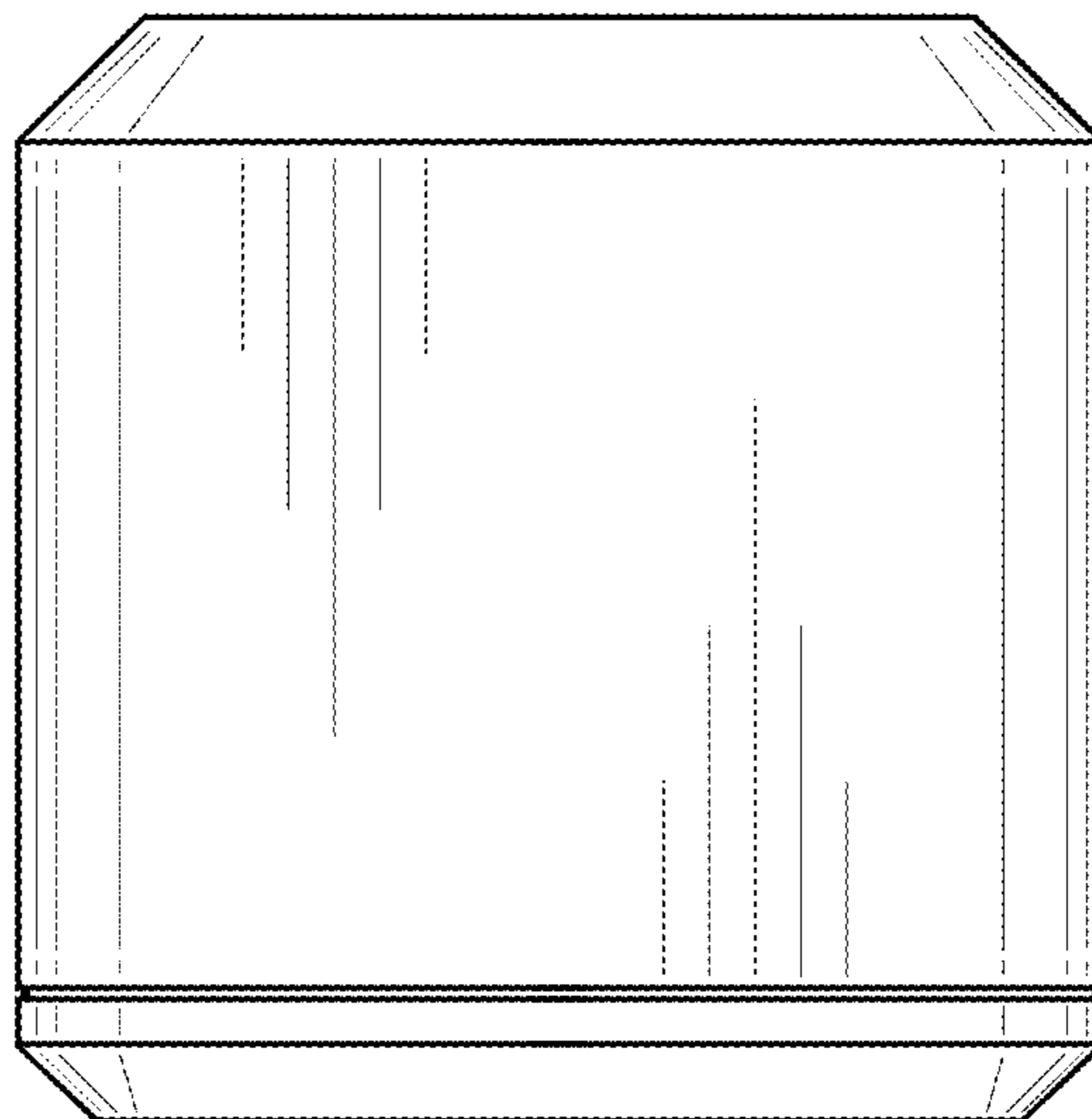


FIG. 19

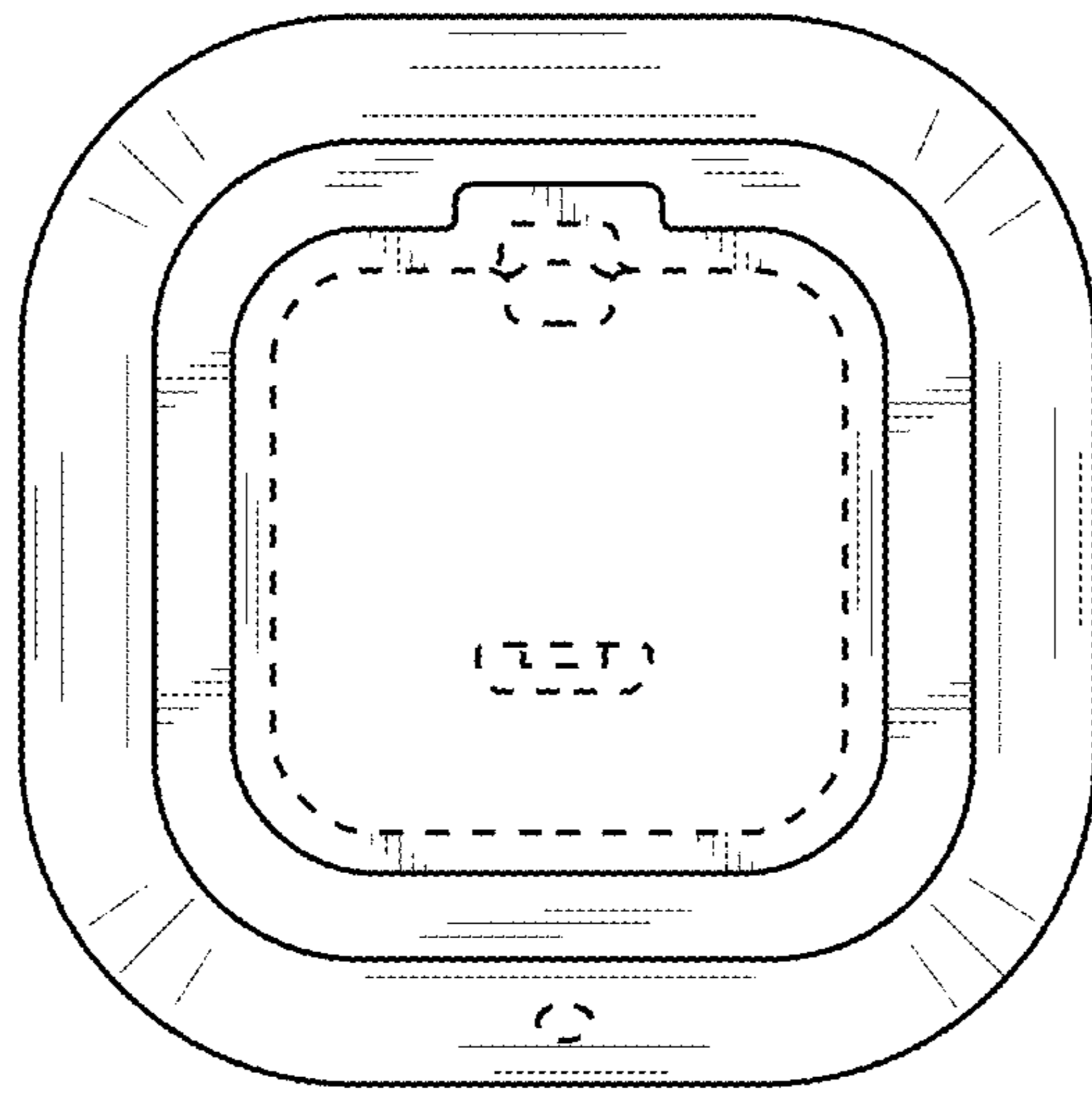


FIG. 20

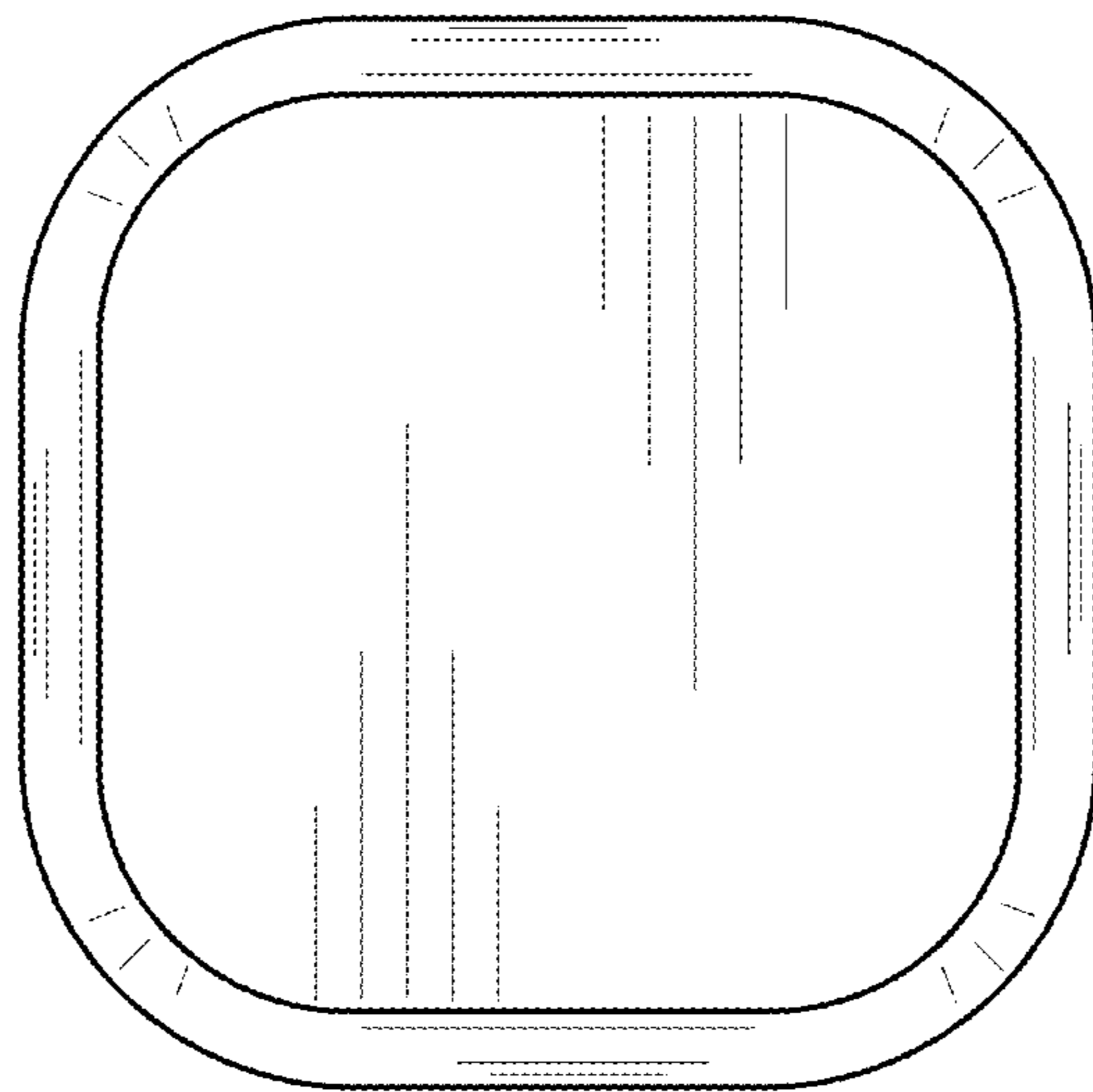


FIG. 21