



US00D775751S

(12) **United States Design Patent** (10) **Patent No.:** **US D775,751 S**
Jones, Jr. (45) **Date of Patent:** **** Jan. 3, 2017**

(54) **LIGHT-EMITTING DIODE VEHICLE MOUNT**

(71) Applicant: **William H Jones, Jr.**, Holly Hill, FL (US)

(72) Inventor: **William H Jones, Jr.**, Holly Hill, FL (US)

(73) Assignee: **Metra Electronics Corporation**, Holly Hills, FL (US)

(**) Term: **15 Years**

(21) Appl. No.: **29/548,596**

(22) Filed: **Dec. 15, 2015**

(51) **LOC (10) Cl.** **26-07**

(52) **U.S. Cl.**
USPC **D26/28**

(58) **Field of Classification Search**
USPC D26/28-36; 362/459-468, 475-478, 362/485-487

CPC F21S 48/00; F21S 48/10; F21S 48/115; F21S 48/225; F21S 48/1233; F21S 48/1266; F21S 48/1388; F21S 48/2268; F21V 21/04

See application file for complete search history.

(56) **References Cited**

U.S. PATENT DOCUMENTS

D410,292 S * 5/1999 Mayle D26/28
D415,296 S * 10/1999 Gavin D26/28
D418,929 S * 1/2000 Allen D10/114.1
D443,939 S * 6/2001 Thomas D26/28

D447,825 S * 9/2001 Lee D26/28
D468,035 S * 12/2002 Blanc D26/28
D472,986 S * 4/2003 Kim D26/28
D489,144 S * 4/2004 Dalton, Jr. D26/28
D530,029 S * 10/2006 Neufeglise D26/28
D713,574 S * 9/2014 Adams D26/31
D736,432 S * 8/2015 Elwell D26/28
D740,473 S * 10/2015 Chen D26/35
D759,278 S * 6/2016 Kim D26/31

* cited by examiner

Primary Examiner — Angela J Lee

(74) *Attorney, Agent, or Firm* — J. Wiley Horton

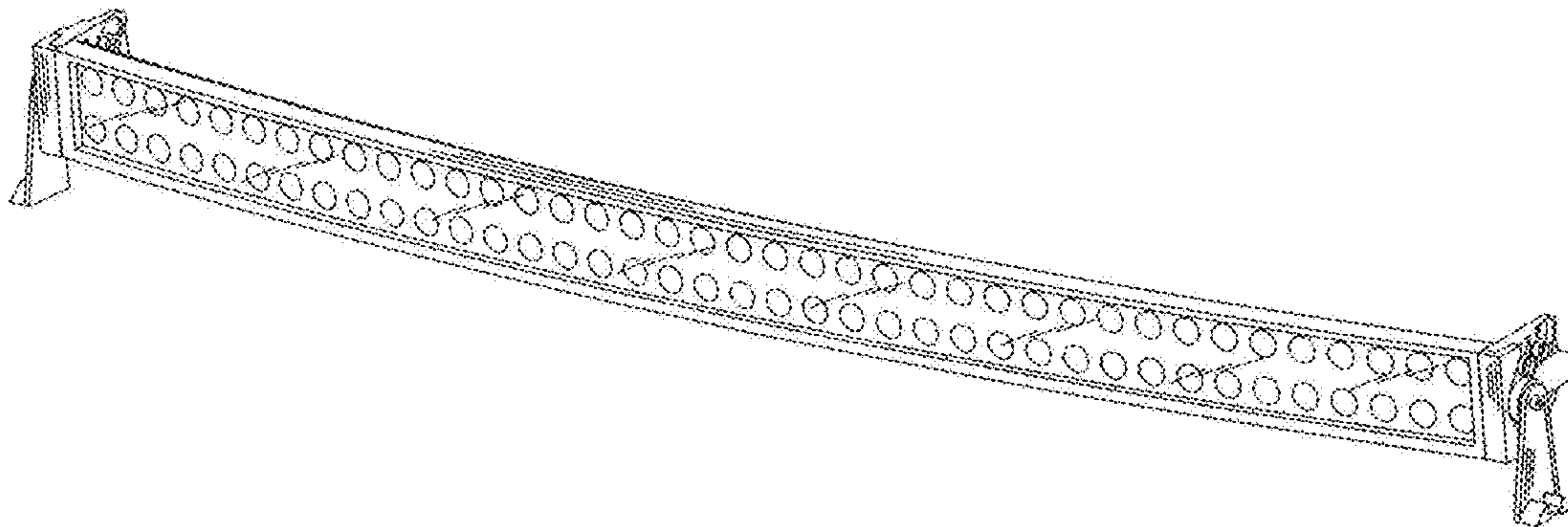
(57) **CLAIM**

The ornamental design for a light-emitting diode vehicle mount, as shown and described.

DESCRIPTION

FIG. 1 is a front perspective view of a light-emitting diode vehicle mount, showing my design;
FIG. 2 is a rear perspective view of FIG. 1;
FIG. 3 is a right side perspective of FIG. 1;
FIG. 4 is a left side perspective view of FIG. 1;
FIG. 5 is a front elevation view of FIG. 1;
FIG. 6 is a rear elevation view of FIG. 1;
FIG. 7 is a right side elevation view of FIG. 1 at an increased scale;
FIG. 8 is a left side elevation view of FIG. 1 at an increased scale;
FIG. 9 is a top plan view of FIG. 1; and,
FIG. 10 is a bottom plan view of FIG. 1.

1 Claim, 10 Drawing Sheets



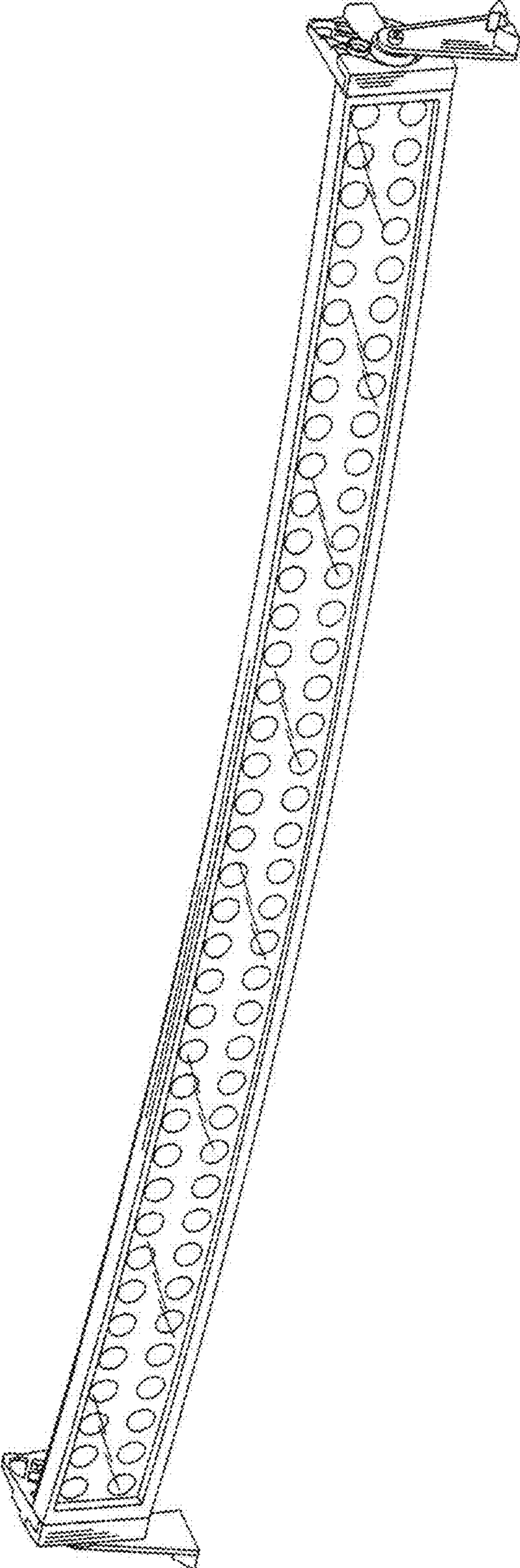


FIG. 1

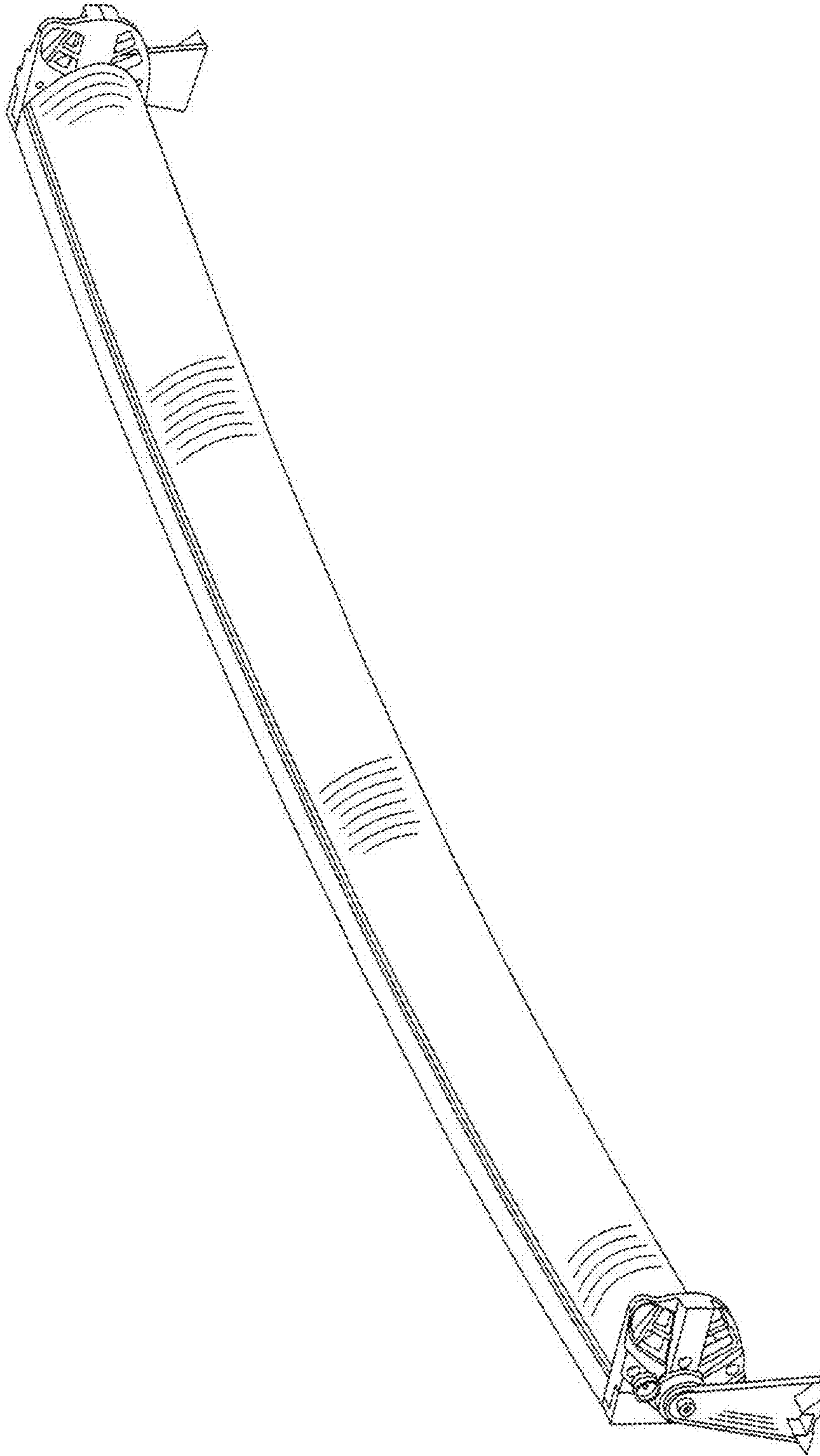


FIG. 2

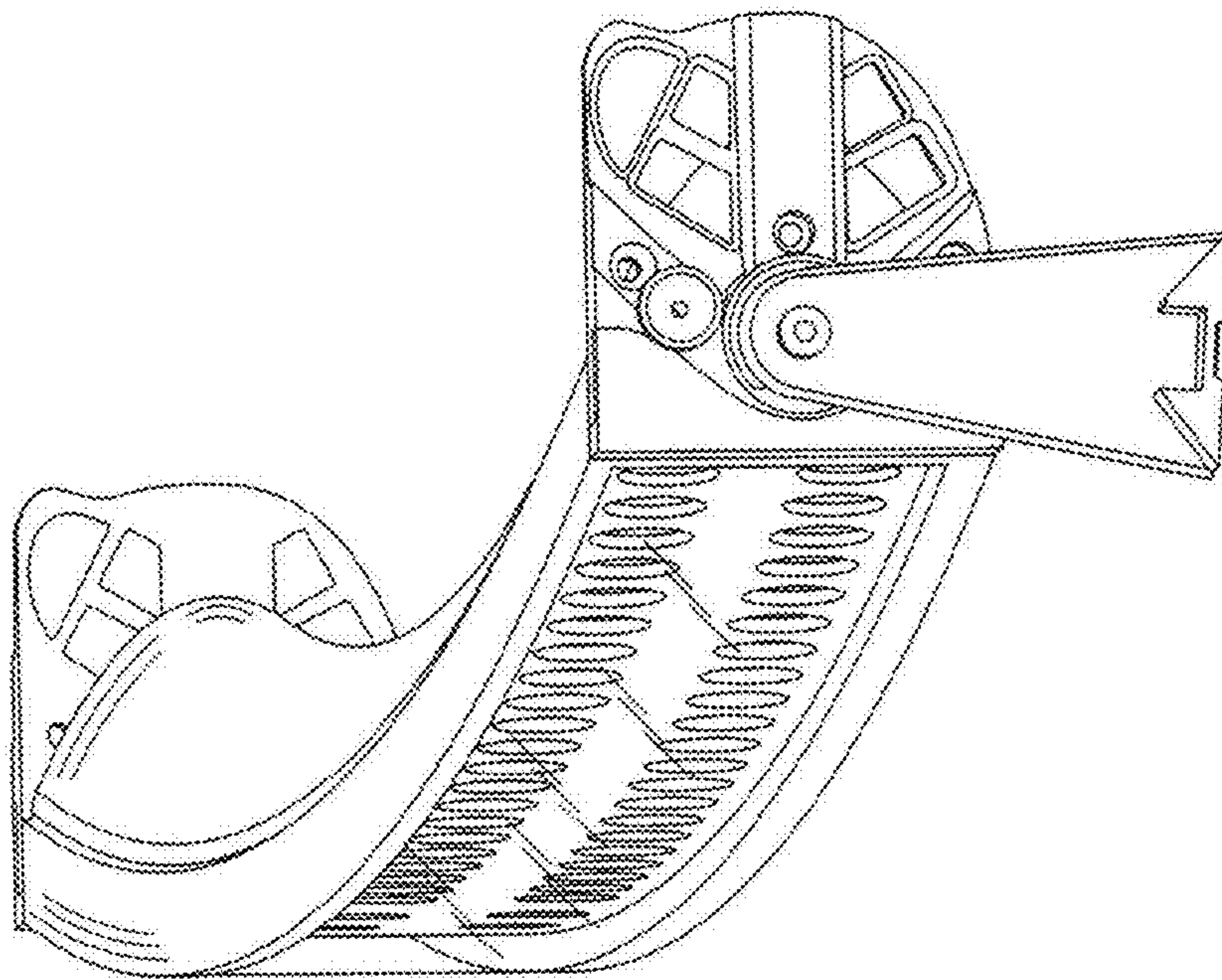


FIG. 3

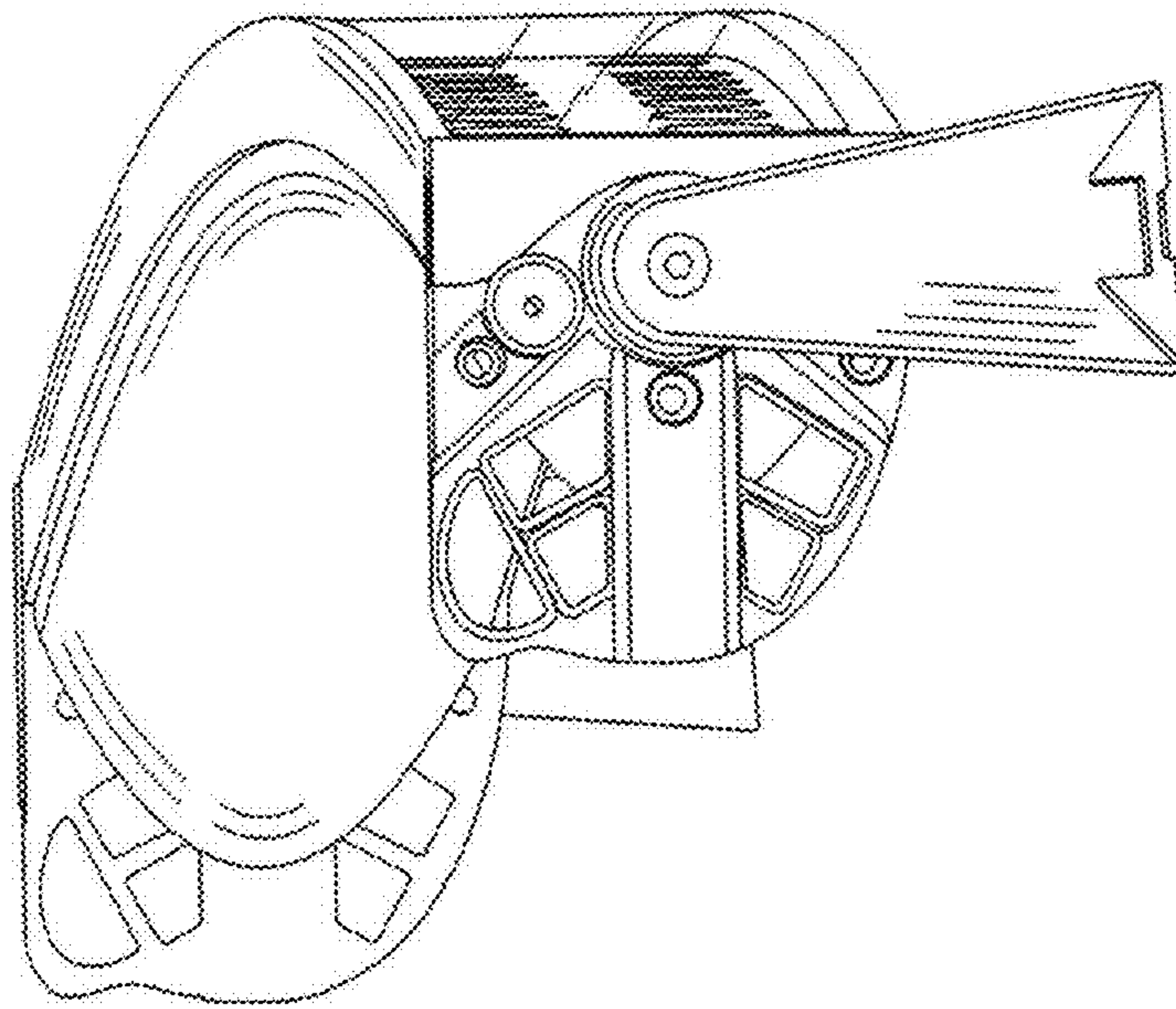


FIG. 4

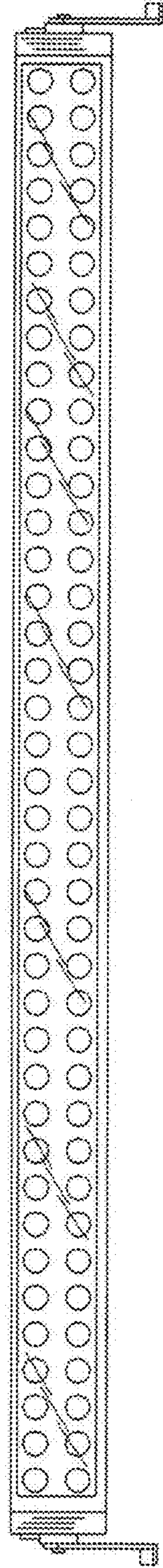


FIG. 5

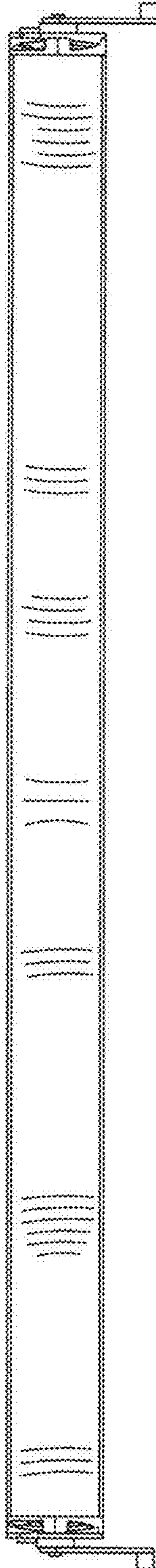


FIG. 6

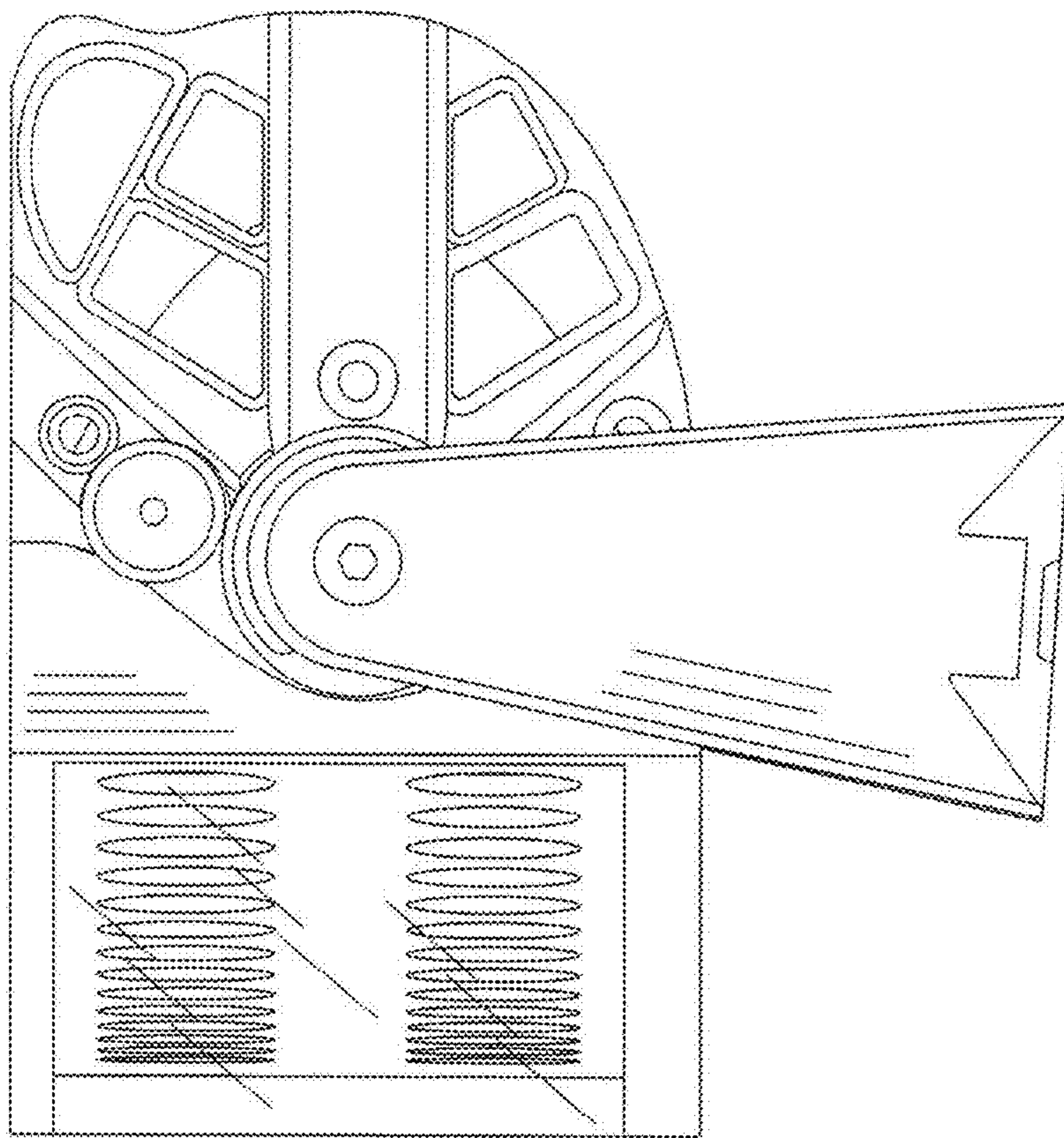


FIG. 7

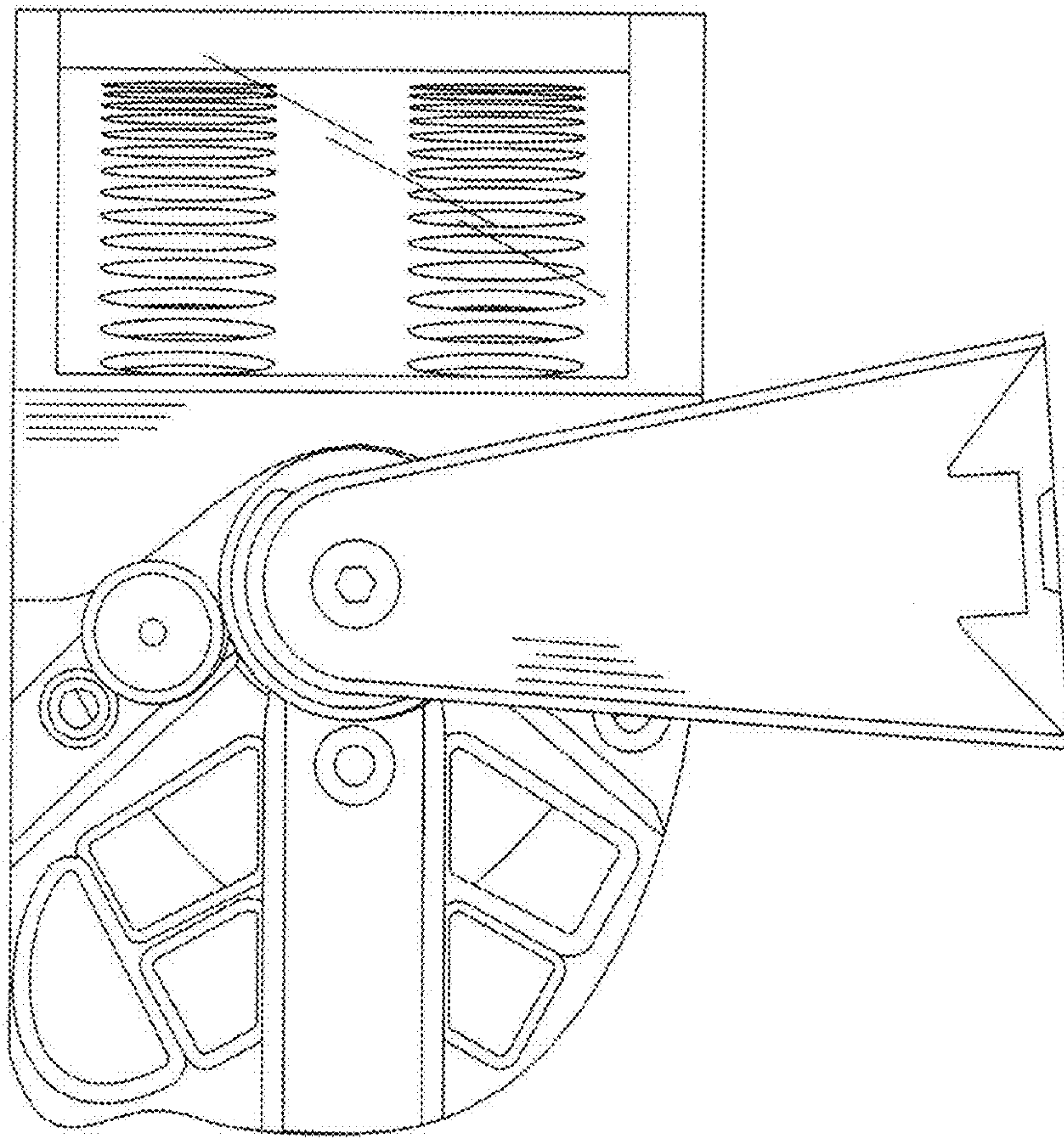


FIG. 8

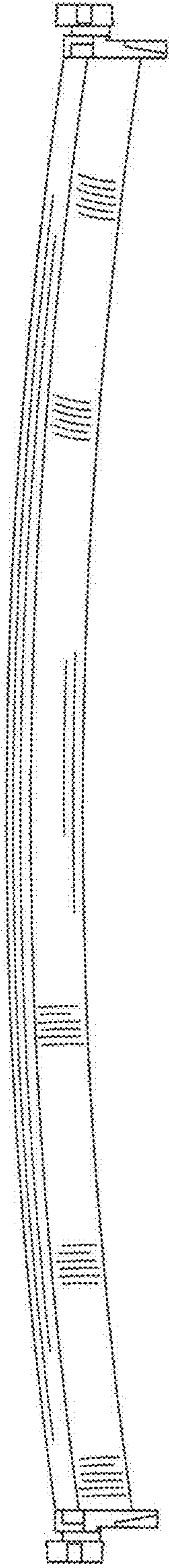


FIG. 9

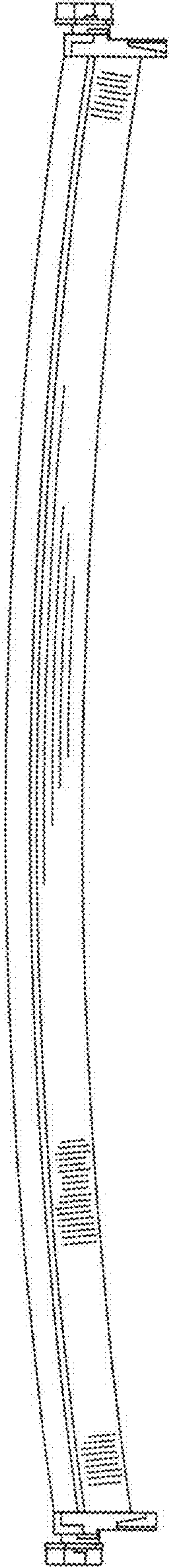


FIG. 10