



US00D775750S

(12) **United States Design Patent** (10) **Patent No.:** **US D775,750 S**
Bucher et al. (45) **Date of Patent:** **** Jan. 3, 2017**

(54) **VEHICLE TAIL LAMP**

- (71) Applicant: **Ford Global Technologies, LLC**, Dearborn, MI (US)
- (72) Inventors: **George Bucher**, Dearborn, MI (US); **Dean Carbis**, Bloomfield Hills, MI (US); **Steven Gilmore**, Farmington Hills, MI (US)
- (73) Assignee: **Ford Global Technologies, LLC**, Dearborn, MI (US)
- (**) Term: **15 Years**

- (21) Appl. No.: **29/543,704**
- (22) Filed: **Oct. 27, 2015**
- (51) **LOC (10) Cl.** **26-06**
- (52) **U.S. Cl.**
USPC **D26/28**
- (58) **Field of Classification Search**
USPC D26/28-36; 362/61, 80-83, 267-269, 362/459-468, 475-478, 485-487
CPC F21S 48/00; F21S 48/10; F21S 48/115; F21S 48/225; F21S 48/1233; F21S 48/1266; F21S 48/1388; F21S 48/2268; F21V 21/04
See application file for complete search history.

(56) **References Cited**

U.S. PATENT DOCUMENTS

D409,772 S *	5/1999	Bangle	D26/28
D638,557 S	5/2011	Gueler et al.		
D660,484 S	5/2012	Gotschke et al.		
D675,353 S *	1/2013	Kazama	D26/28
D679,432 S *	4/2013	Frenzel	D26/28
D696,444 S *	12/2013	Ishizuka	D26/28
D710,524 S *	8/2014	Hirabayashi	D26/28
D728,137 S *	4/2015	Ha	D26/28
D746,497 S *	12/2015	Behmer	D26/28
D749,247 S *	2/2016	Han	D26/28

OTHER PUBLICATIONS

- Bob Nagy <http://www.kbb.com/car-news/all-the-latest/2017-Ford-escape-spied/2000012056> 2017 Ford Escape spied, dated May 15, 2015.
- Mark McNabb <http://www.topspeed.com/trucks/truck-reviews/Ford/2017-Ford-escape-ar169435.html> 2017 Ford Escape dated May 18, 2015.
- Alexander Stoklosa <http://www.caranddriver/news/2017-Ford-escape-spy-photos-news> 2017 Ford Escape Spy Photos dated May 2015.
- Unknown <http://www.autoblog.com/2015/06/25/2017-Ford-escape-spy-shots> New Ford Escape spied inside and out dated Jun. 25, 2015.

* cited by examiner

Primary Examiner — Marcus Jackson

(74) *Attorney, Agent, or Firm* — Damian Porcari

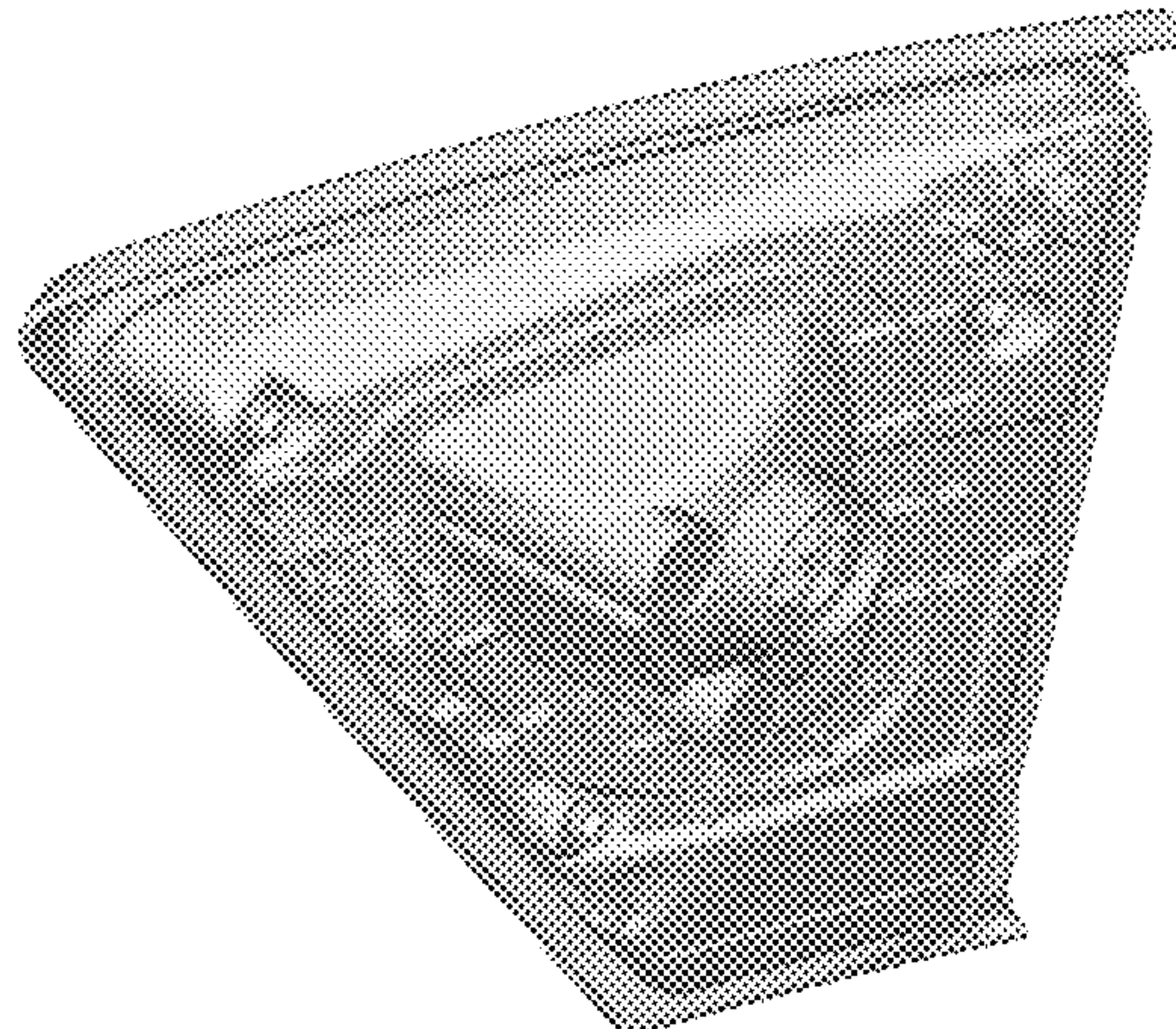
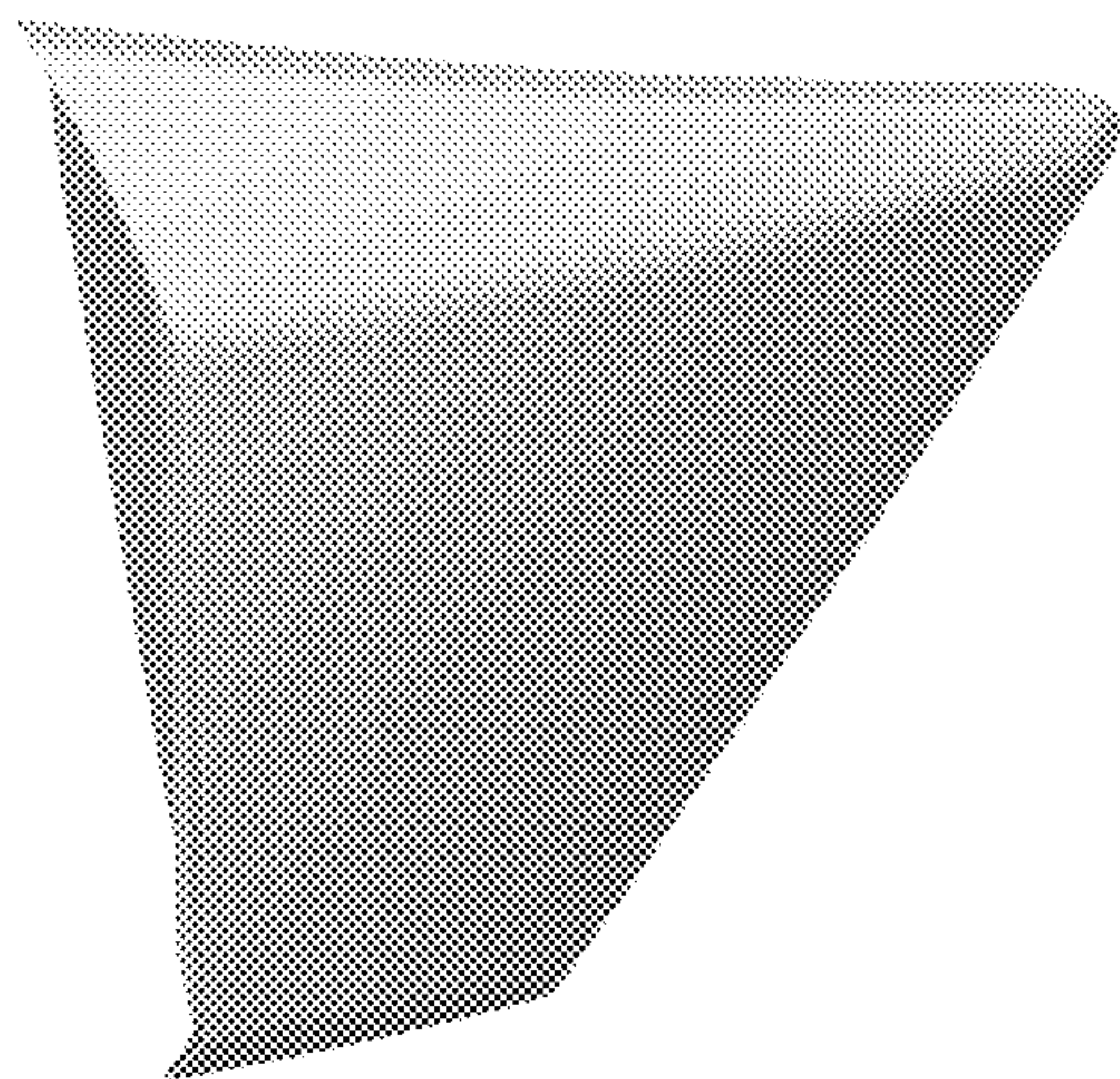
(57) **CLAIM**

The ornamental design for a vehicle tail lamp, as shown and described.

DESCRIPTION

FIG. 1 is a top front perspective view of the first embodiment of a vehicle tail lamp, showing our new design. FIG. 2 is a bottom front perspective view thereof; FIG. 3 is a top rear perspective view thereof; FIG. 4 is a front elevational view thereof; FIG. 5 is a rear elevational view thereof; FIG. 6 is a left side elevational view thereof; FIG. 7 is a right side elevational view thereof; FIG. 8 is a top plan view thereof; and, FIG. 9 is a bottom plan view thereof. The second embodiment of the vehicle tail lamp is a mirror image of the first embodiment disclosed in FIGS. 1 through 9 and is not shown.

1 Claim, 9 Drawing Sheets



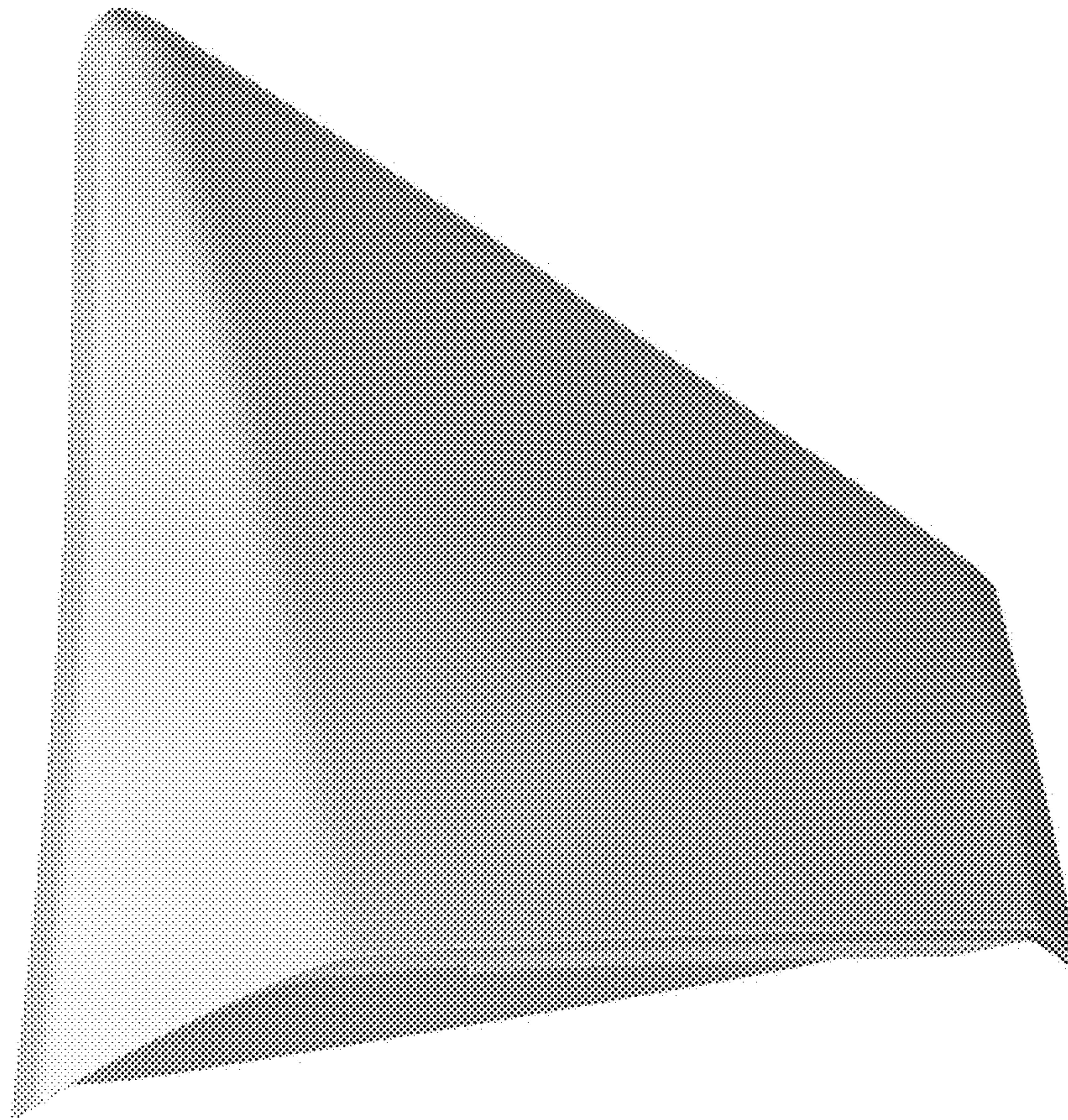


Figure 1

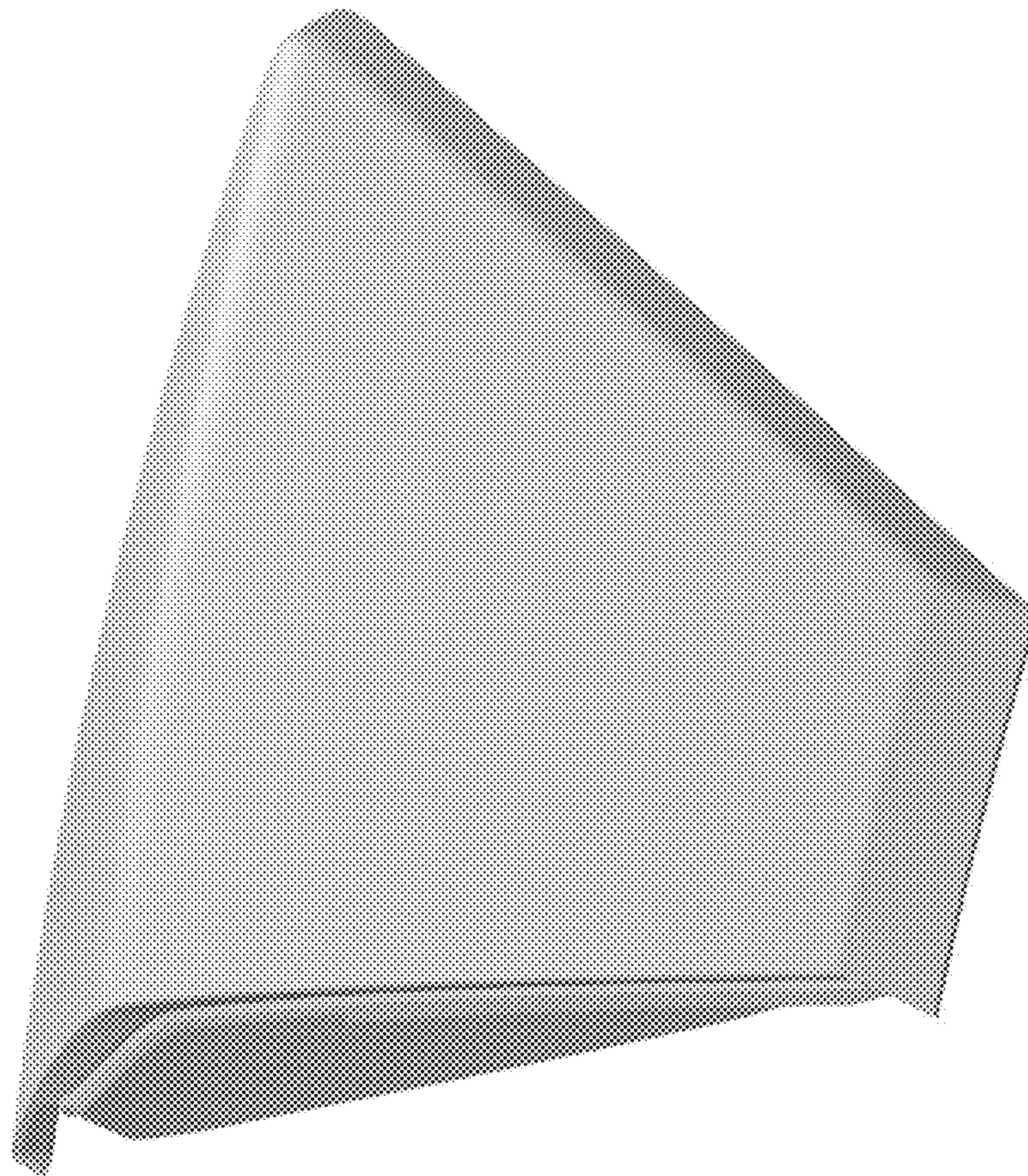


Figure 2

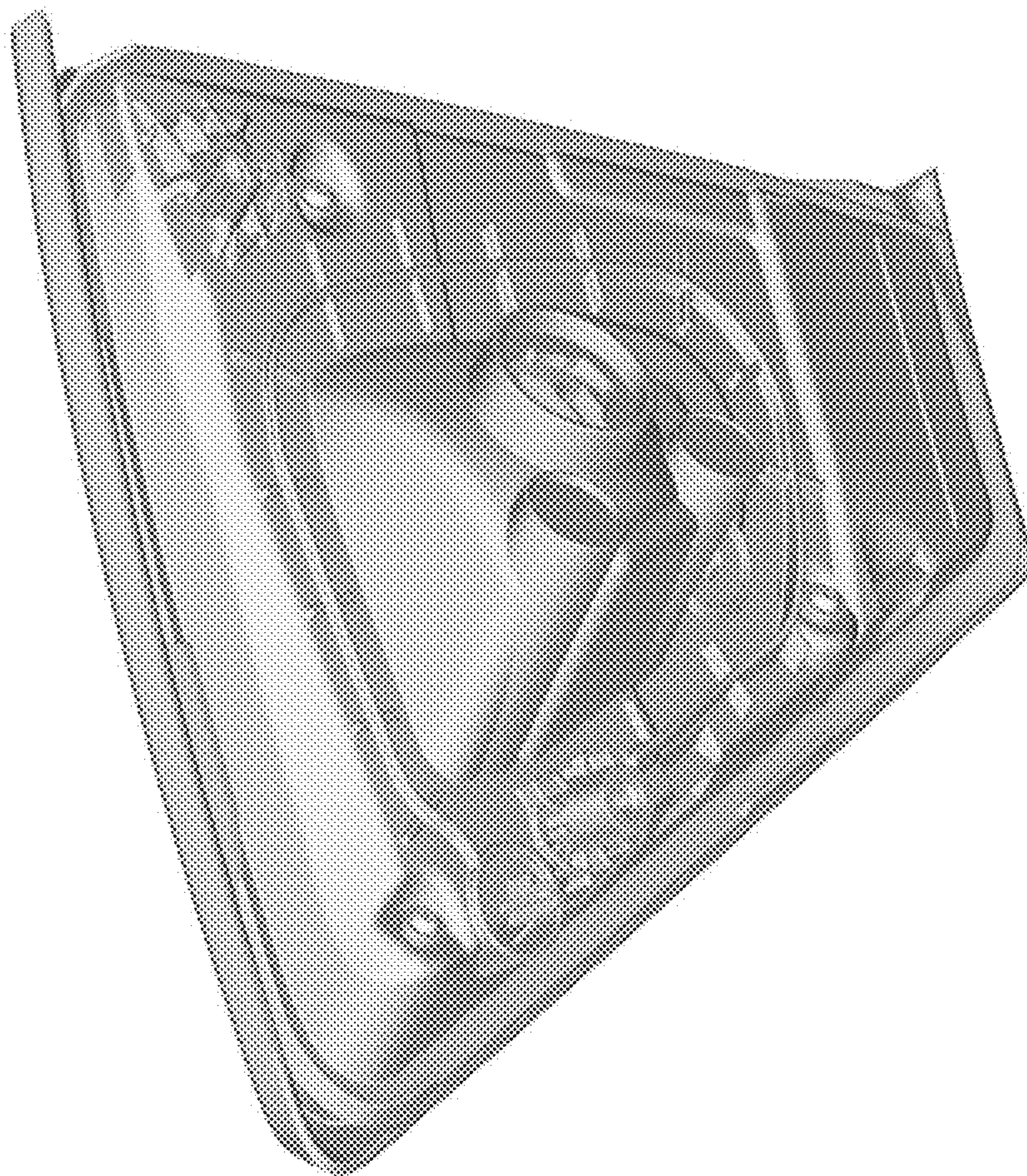
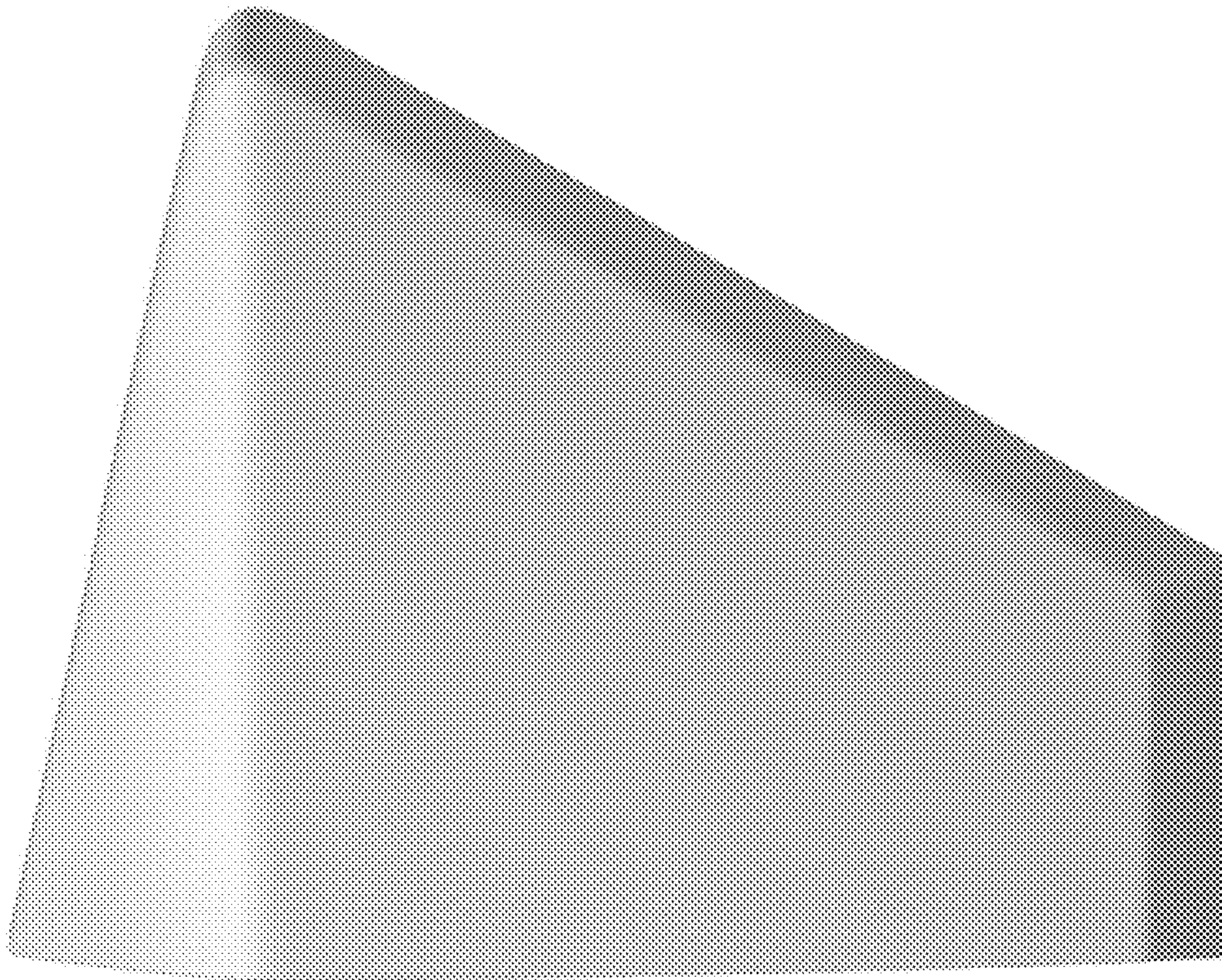


Figure 3

Figure 4



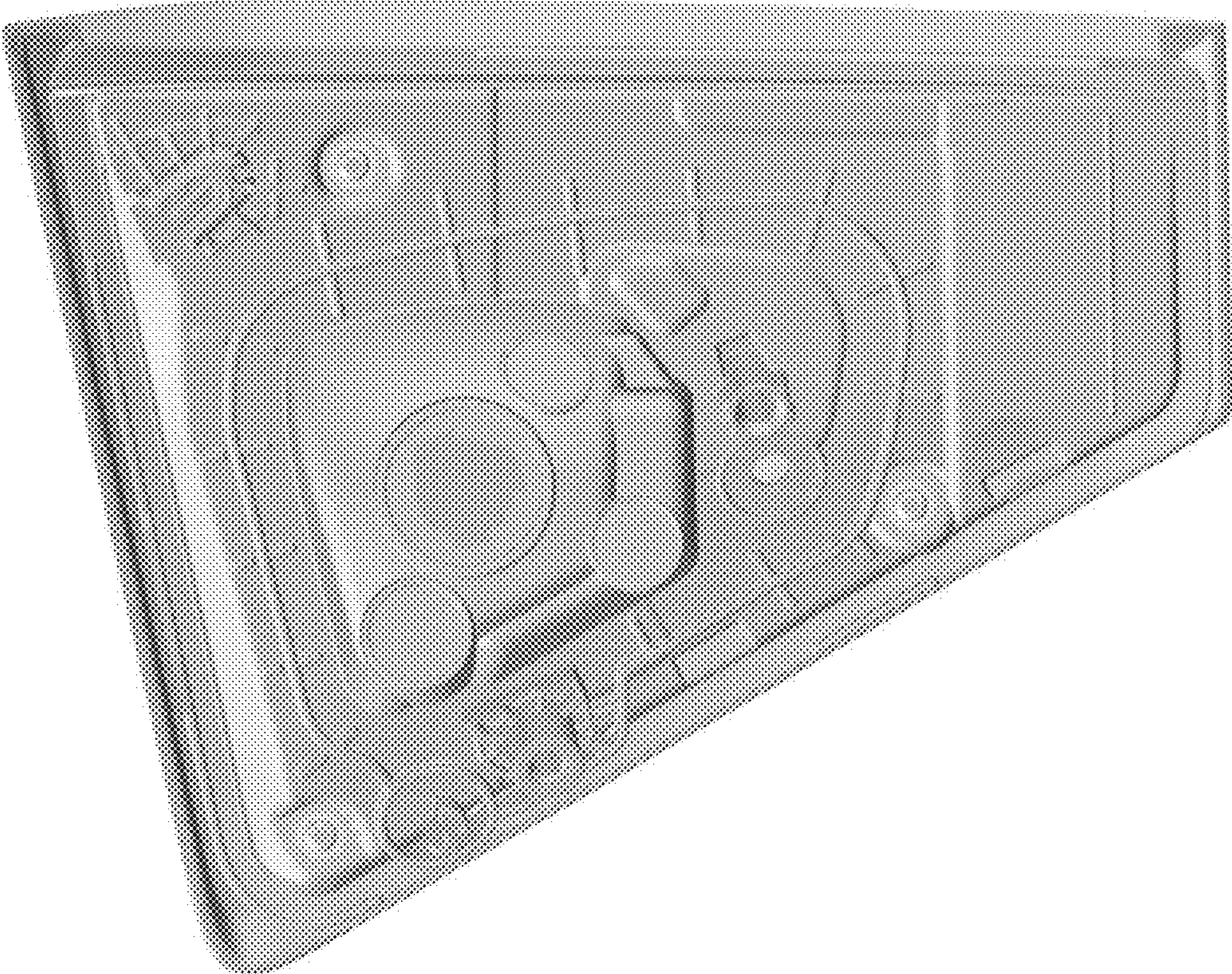
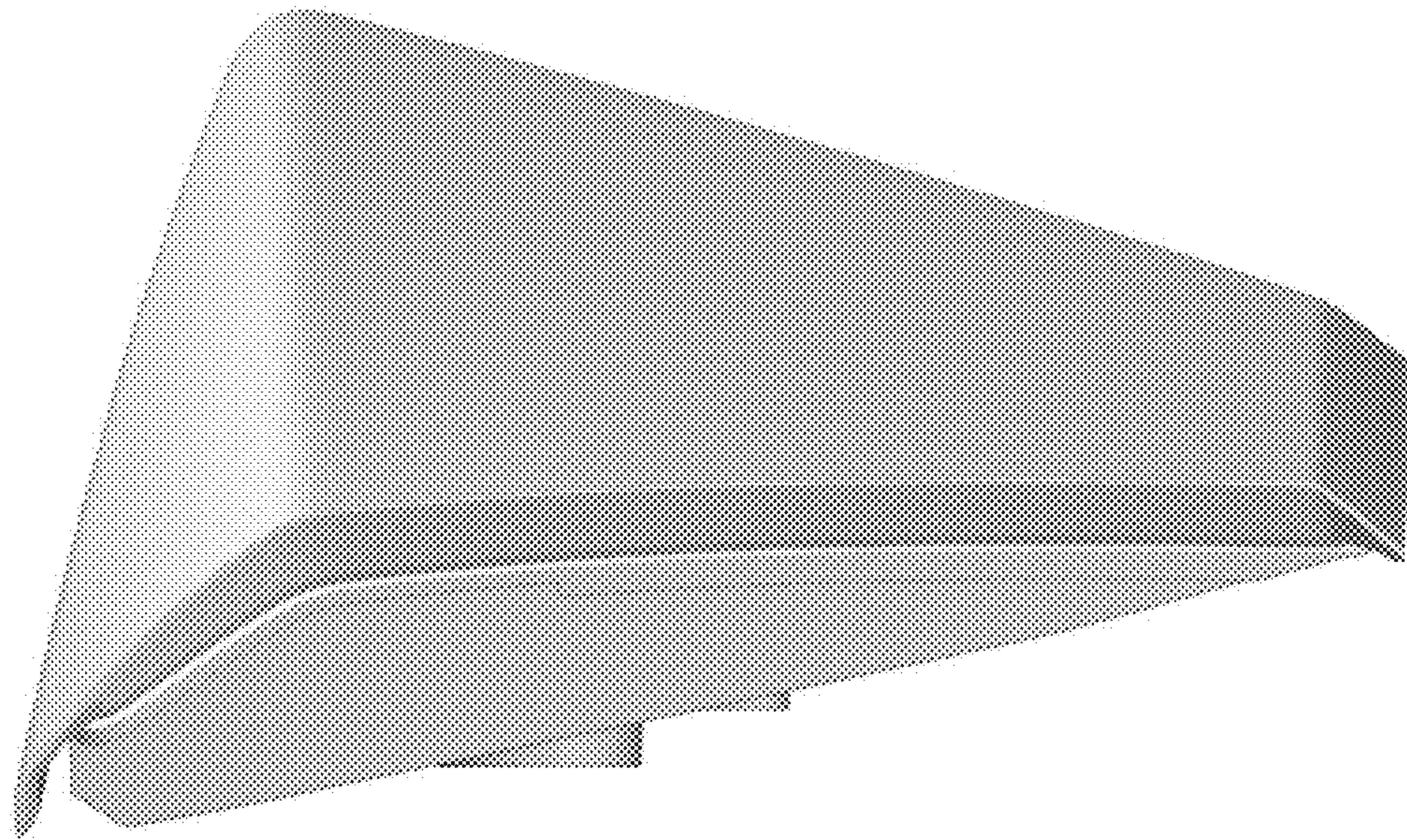


Figure 5

Figure 6



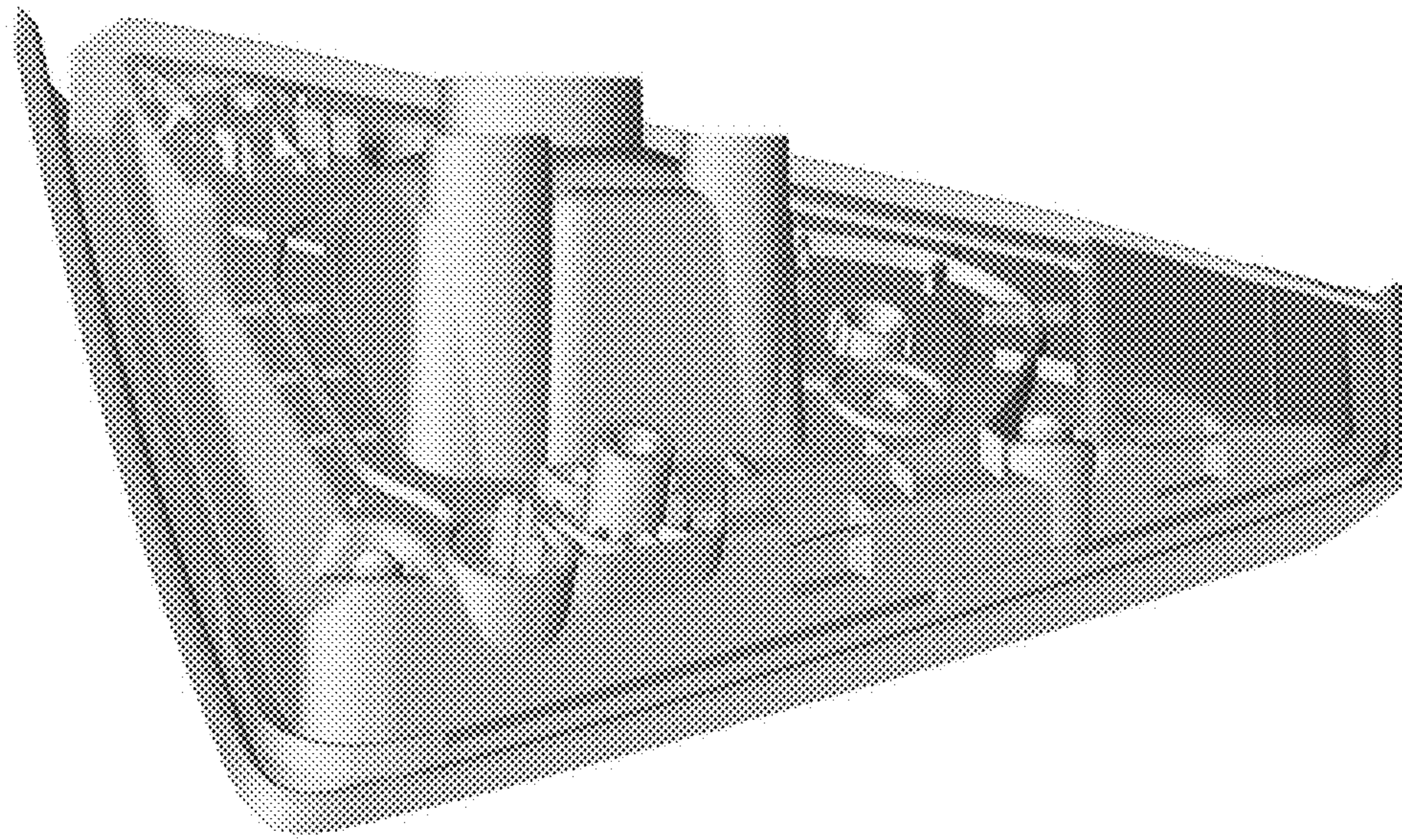


Figure 7

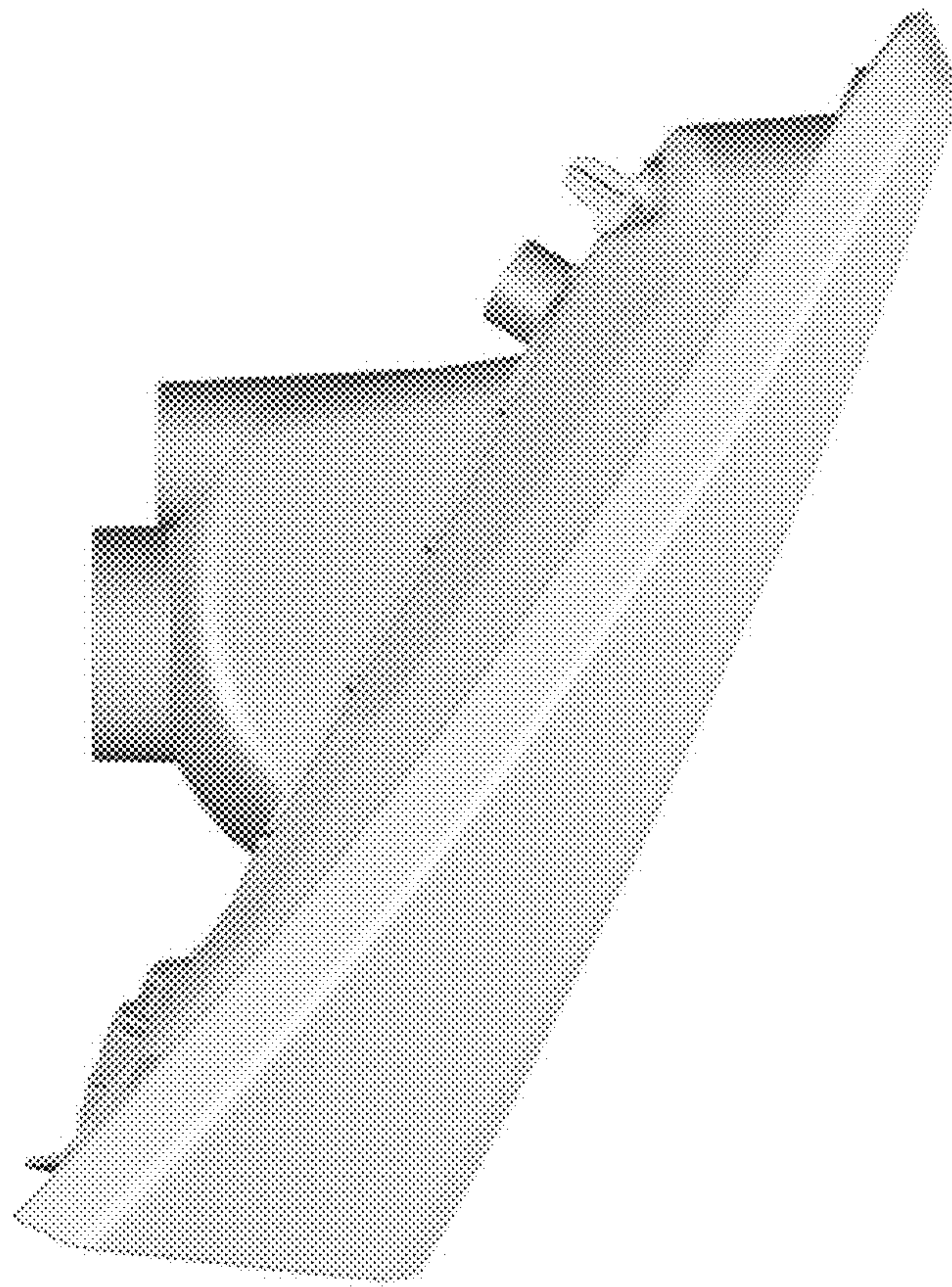


Figure 8

Figure 9

