



US00D775749S

(12) **United States Design Patent** (10) **Patent No.:** **US D775,749 S**  
**Daniels et al.** (45) **Date of Patent:** **\*\* Jan. 3, 2017**

- (54) **REAR LIGHT FOR A VEHICLE**
- (71) Applicant: **iCradle GmbH**, Frankfurt (DE)
- (72) Inventors: **Micha Daniels**, Darmstadt (DE);  
**Alexander Erdwins**, Darmstadt (DE)
- (73) Assignee: **COBI GmbH**, Frankfurt (DE)
- (\*\*) Term: **15 Years**
- (21) Appl. No.: **29/528,190**
- (22) Filed: **May 27, 2015**
- (30) **Foreign Application Priority Data**

Nov. 27, 2014 (EM) ..... 002 586 776-0001  
 Nov. 27, 2014 (EM) ..... 002 586 776-0002

- (51) **LOC (10) Cl.** ..... **26-06**
- (52) **U.S. Cl.**  
USPC ..... **D26/28**
- (58) **Field of Classification Search**  
USPC ..... D26/28-36; 362/459-468, 475-478,  
362/485-487  
CPC ..... F21S 48/00; F21S 48/10; F21S 48/115;  
F21S 48/225; F21S 48/1233; F21S  
48/1266; F21S 48/1388; F21S 48/2268;  
F21V 21/04  
See application file for complete search history.

(56) **References Cited**  
U.S. PATENT DOCUMENTS

D515,227 S \* 2/2006 Idei ..... D26/28  
 D520,656 S \* 5/2006 Shiu ..... D26/28  
 D556,927 S \* 12/2007 Shiu ..... D26/39  
 D560,008 S \* 1/2008 Poon ..... D26/39  
 D579,133 S \* 10/2008 Shiu ..... D26/39  
 D707,868 S \* 6/2014 Lee ..... D26/39  
 D724,248 S \* 3/2015 Brands ..... D26/39  
 D742,042 S \* 10/2015 Li ..... D26/28

D744,133 S \* 11/2015 Deyaf ..... D26/28  
 D745,718 S \* 12/2015 Deyaf ..... D26/28  
 D745,728 S \* 12/2015 Ruthling ..... D26/28  
 (Continued)

FOREIGN PATENT DOCUMENTS

EM 002586776-0001 12/2014  
 EM 002586776-0002 12/2014

*Primary Examiner* — Angela J Lee  
 (74) *Attorney, Agent, or Firm* — SoCal IP Law Group  
 LLP; M. Kala Sarvaiya; Steven C. Sereboff

(57) **CLAIM**

The ornamental design for a rear light for a vehicle, as shown and described.

**DESCRIPTION**

A portion of the disclosure of this patent document contains material to which a claim for copyright is made. The copyright owner has no objection to the facsimile reproduction by anyone of the patent document or the patent disclosure, as it appears in the Patent and Trademark Office patent file or records, but reserves all other copyright rights whatsoever.

FIG. 1 is a front, top and right side perspective view of a rear light for a vehicle.

FIG. 2 is a rear, bottom and left side perspective view thereof;

FIG. 3 is a front elevation view thereof;

FIG. 4 is a rear elevation view thereof;

FIG. 5 is a top plan view thereof;

FIG. 6 is a bottom plan view thereof;

FIG. 7 is a right side elevation view thereof;

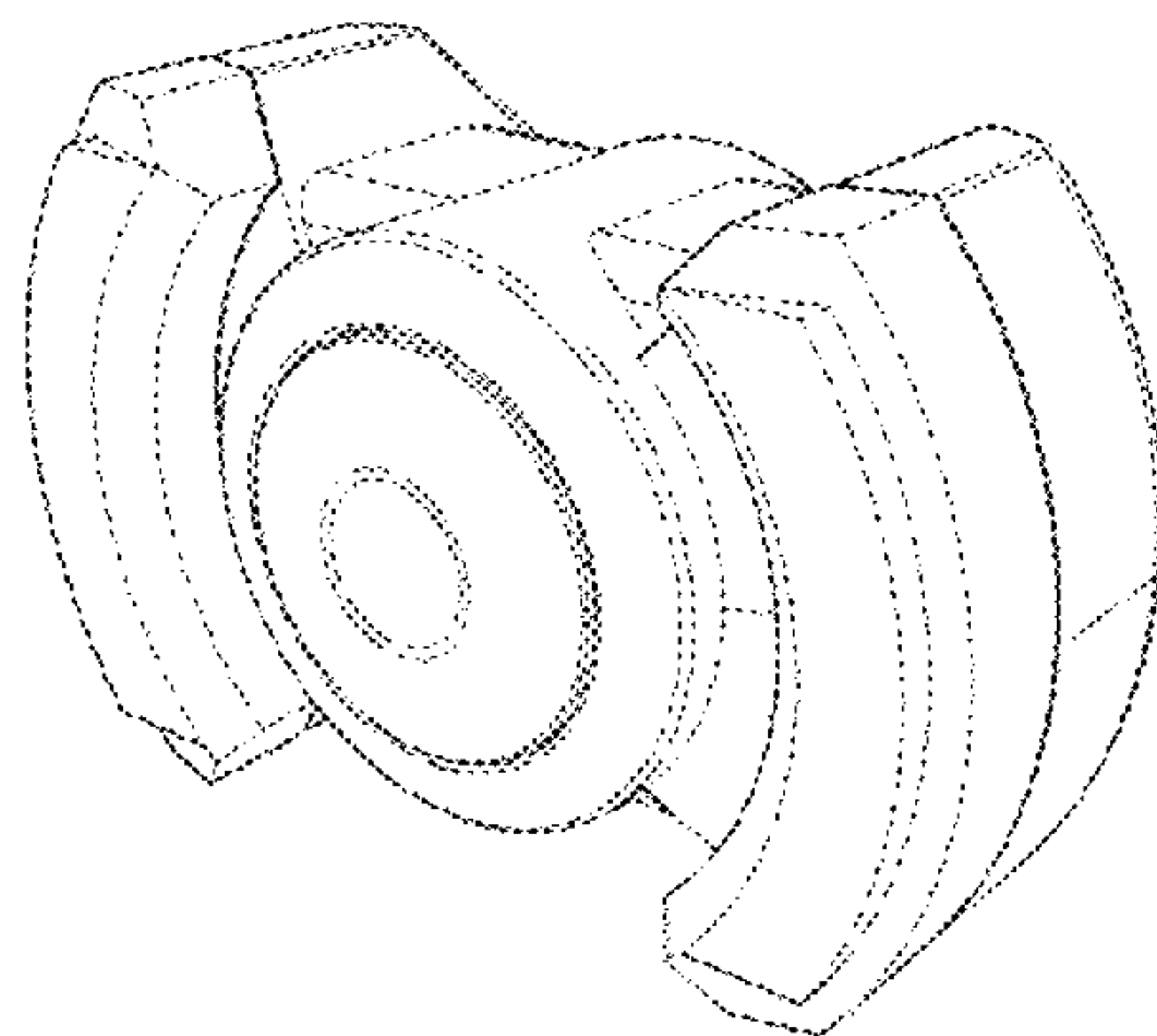
FIG. 8 is left side elevation view thereof.

FIG. 9 is a top elevation view thereof; and,

FIG. 10 is a bottom elevation view thereof.

The broken lines shown in the drawings are for illustrative purposes only and form no part of the claimed design.

**1 Claim, 5 Drawing Sheets**



(56)

**References Cited**

U.S. PATENT DOCUMENTS

D746,501 S \* 12/2015 Chen ..... D26/28  
D747,014 S \* 1/2016 Chen ..... D26/28

\* cited by examiner

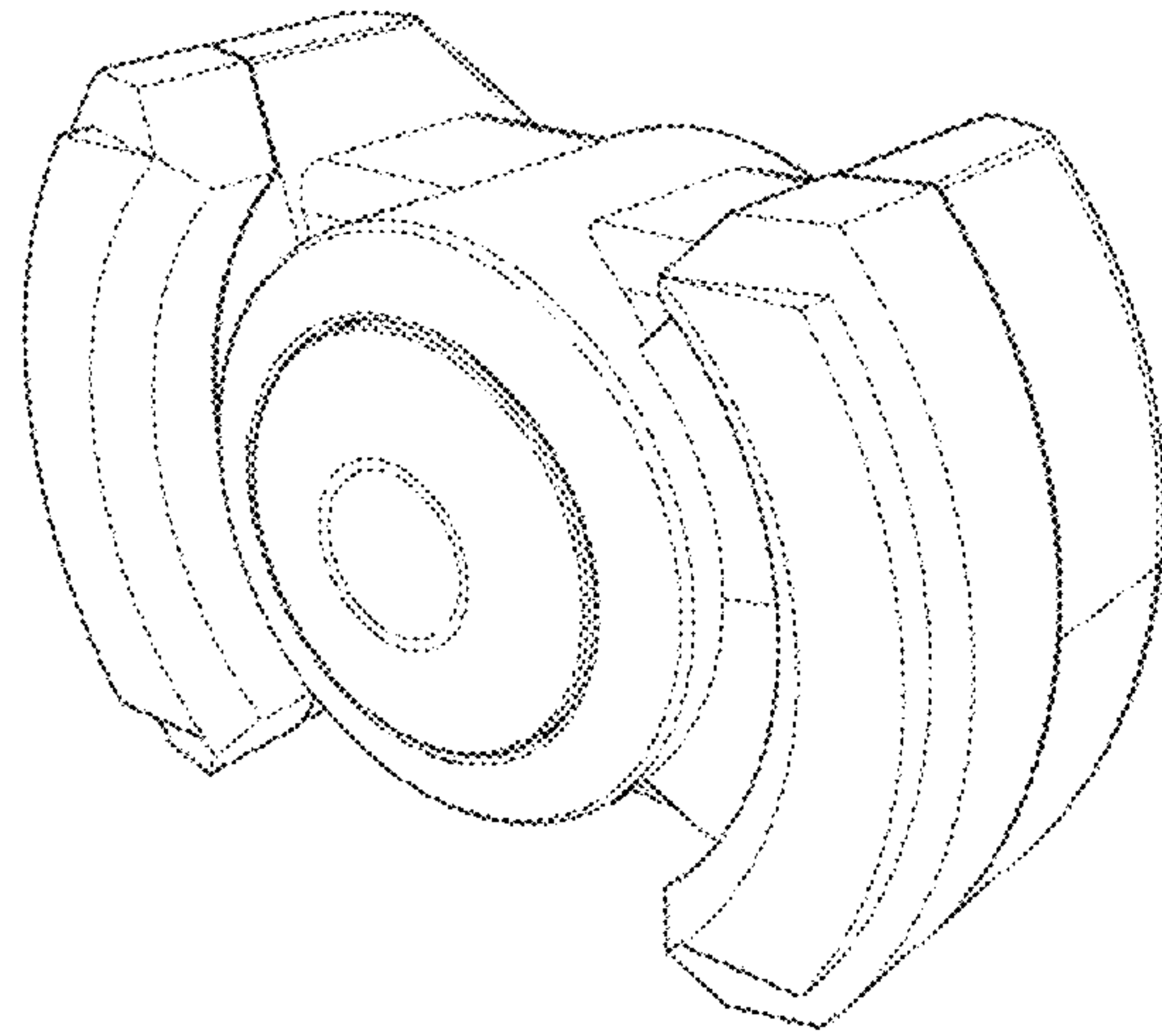


FIG. 1

©2015 iCradle GmbH

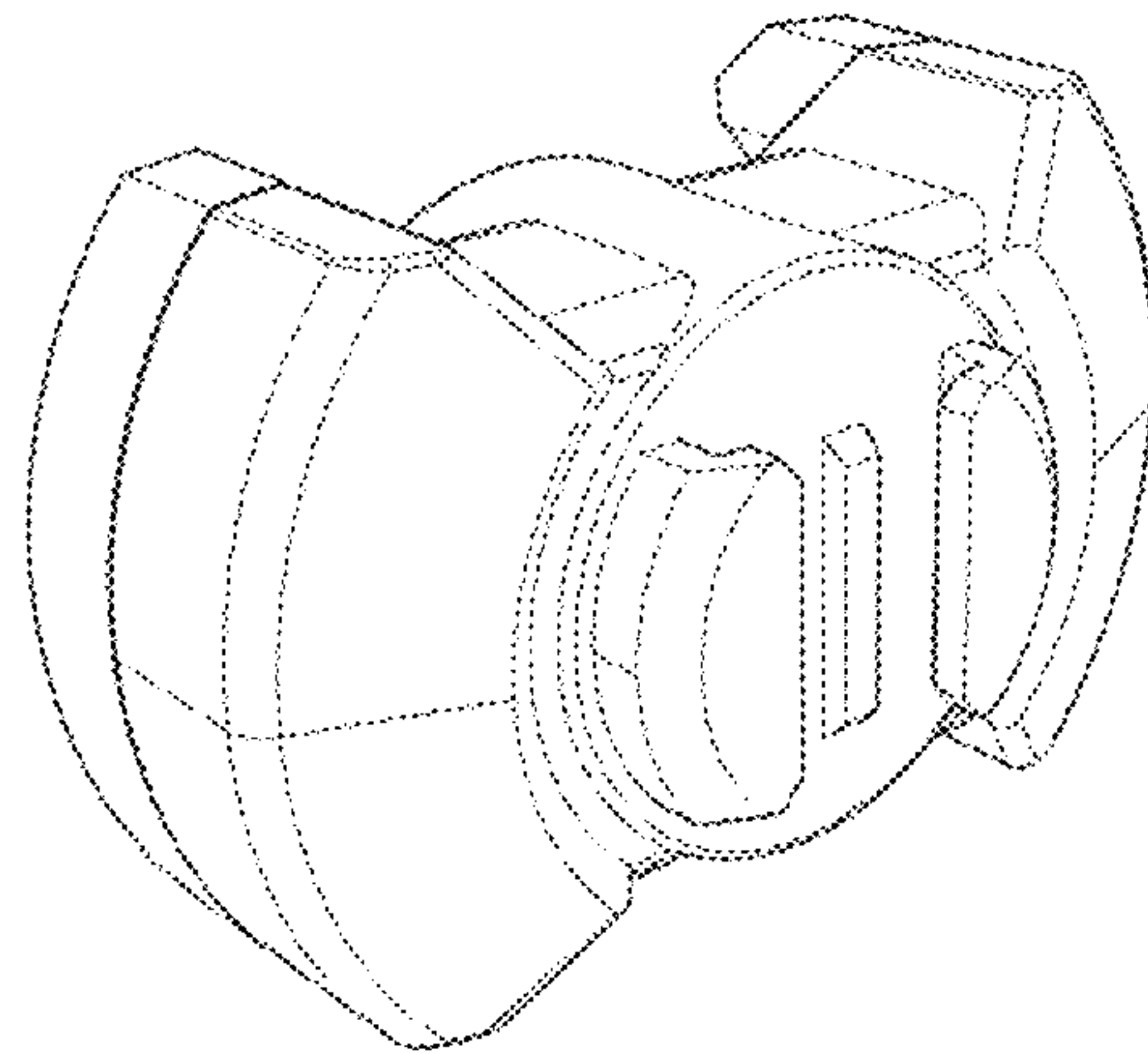


FIG. 2

©2015 iCradle GmbH

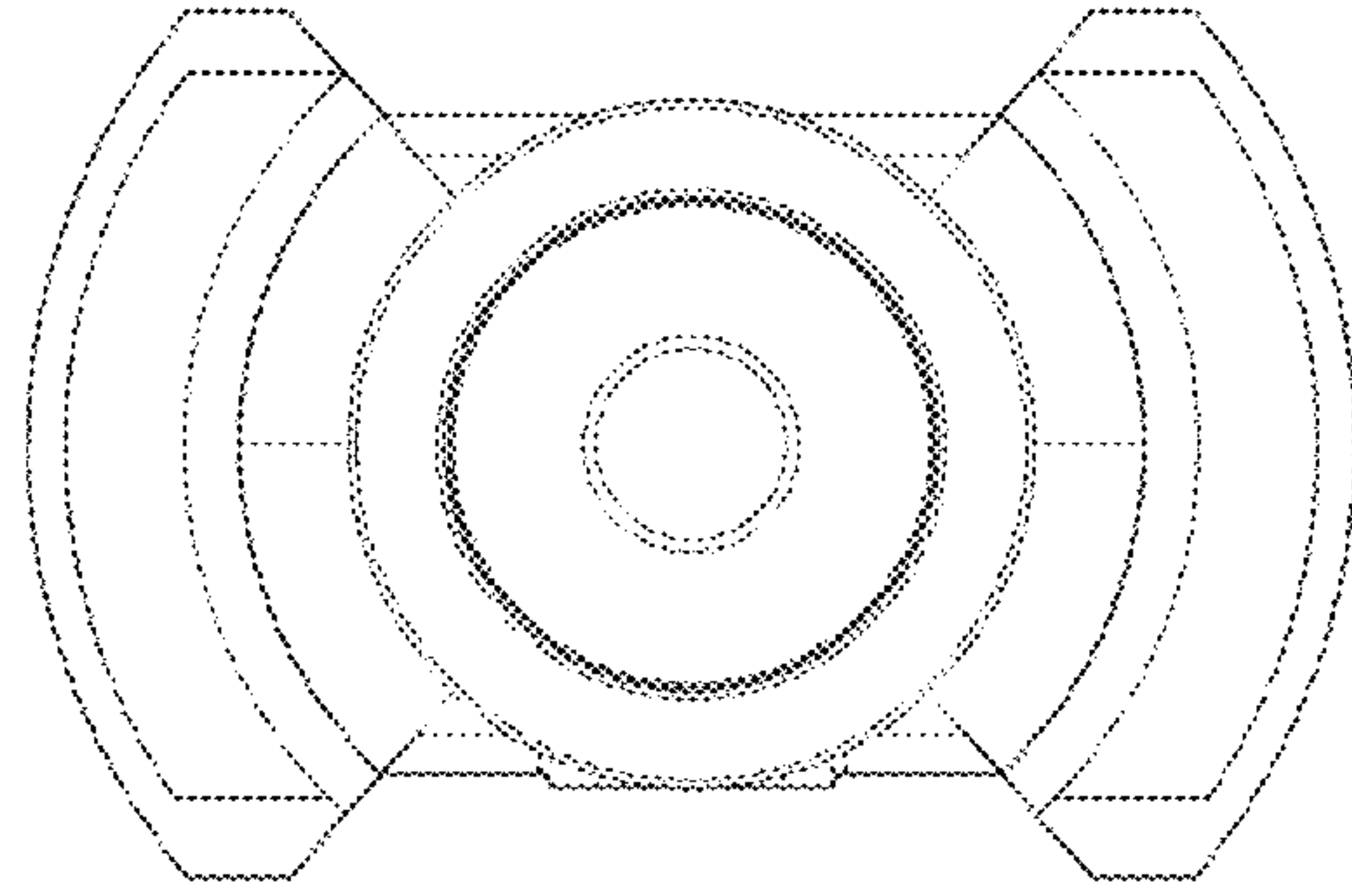


FIG. 3

©2015 iCradle GmbH

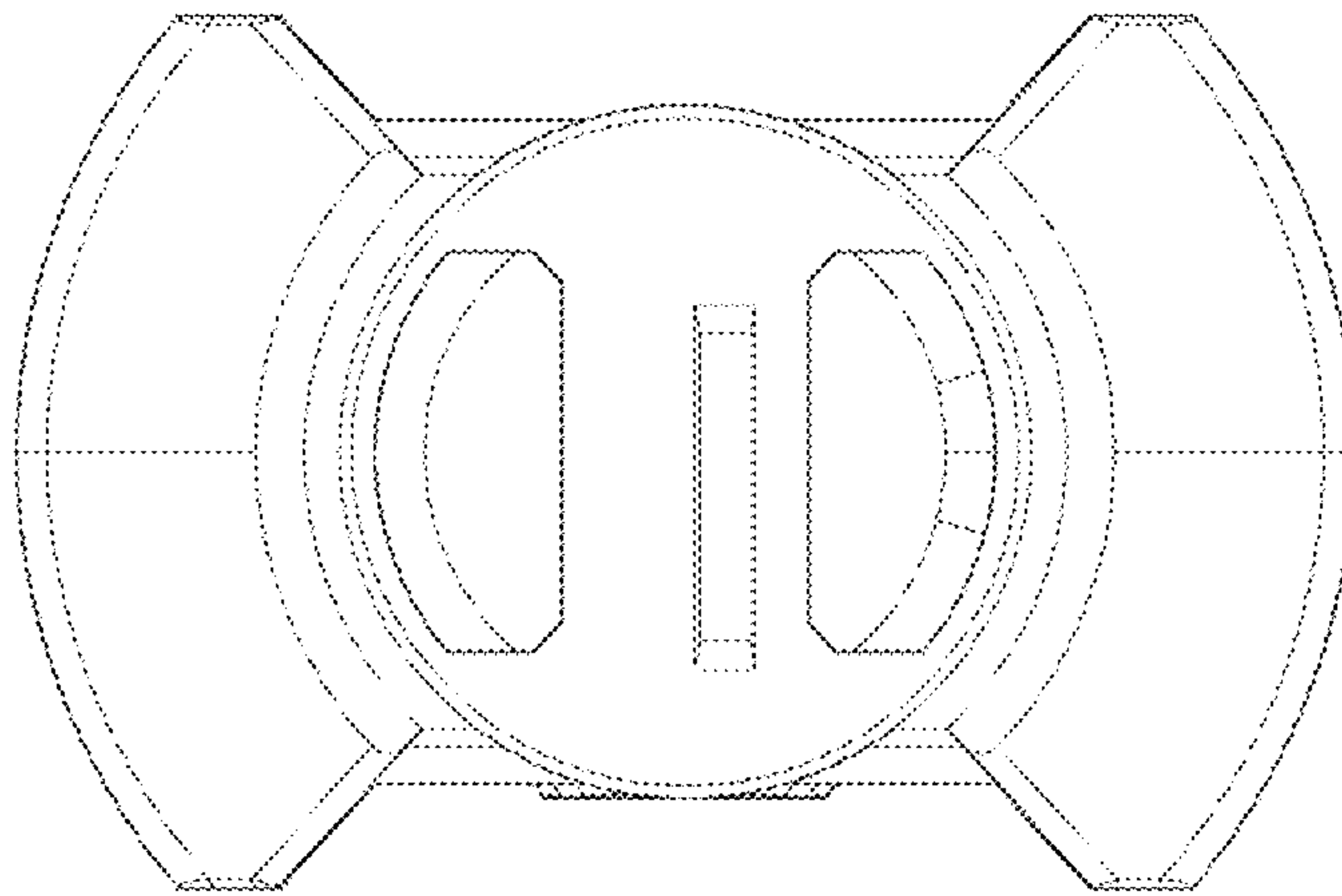


FIG. 4

©2015 iCradle GmbH

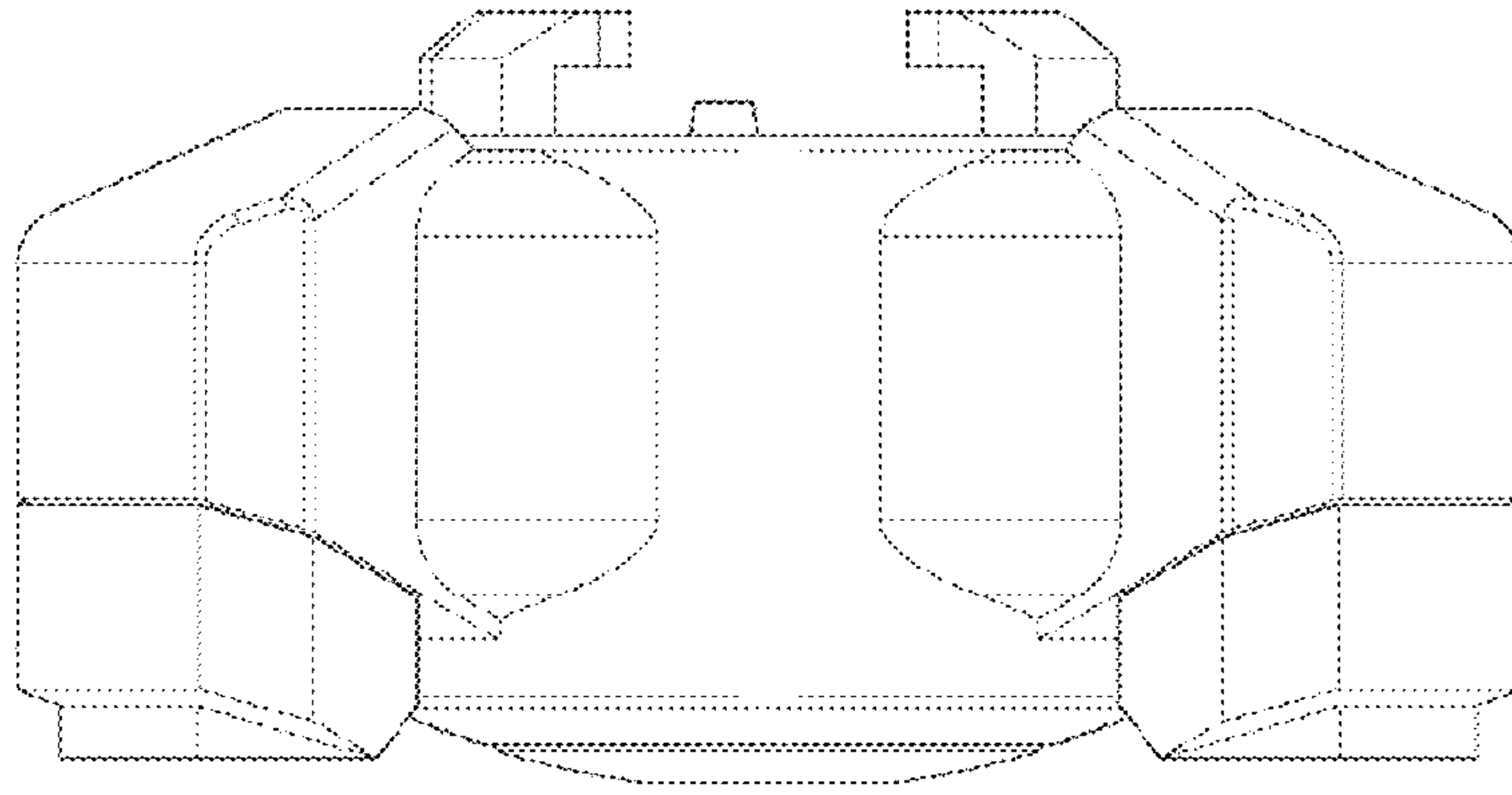


FIG. 5

©2015 iCradle GmbH

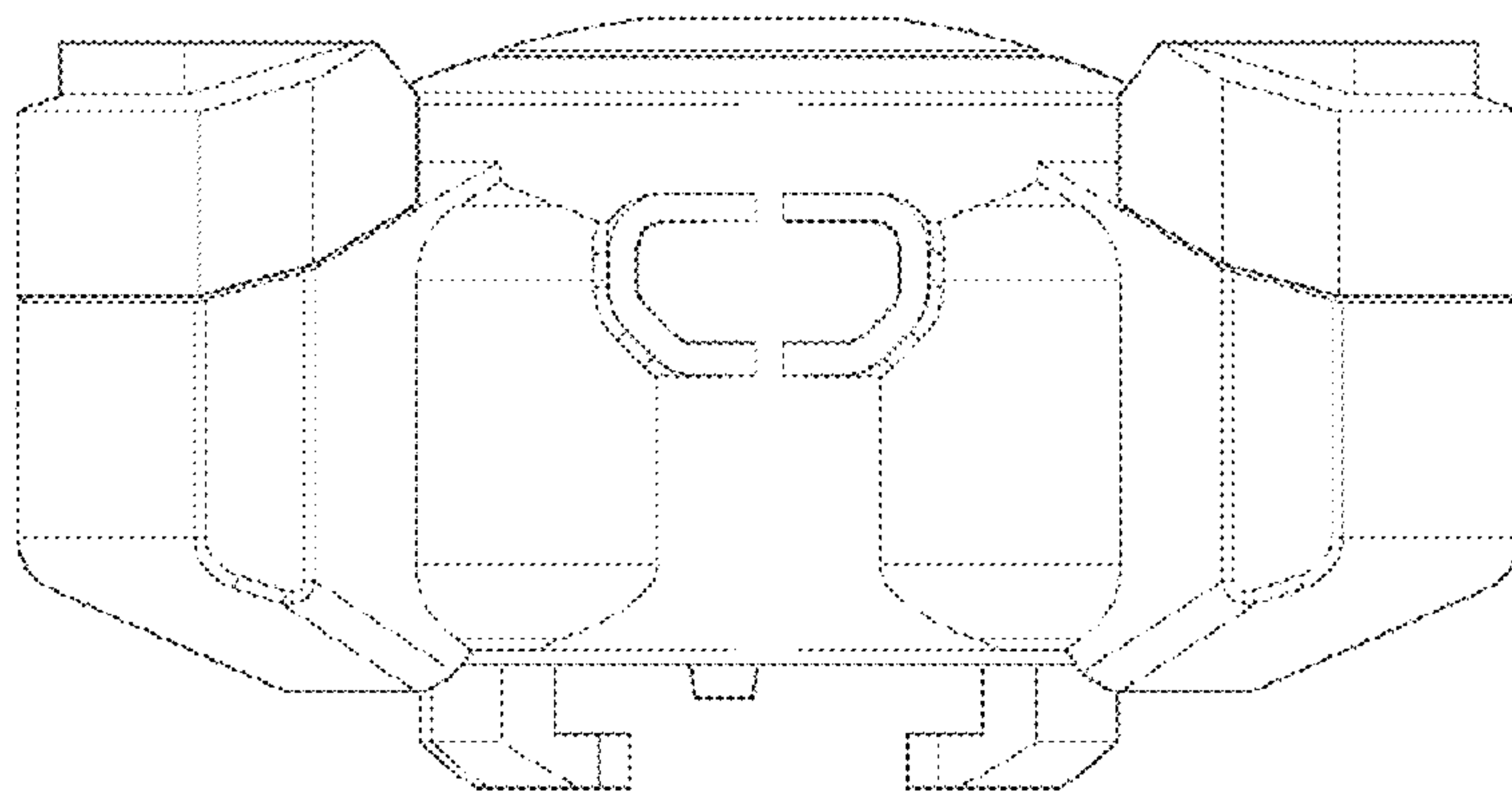


FIG. 6

©2015 iCradle GmbH

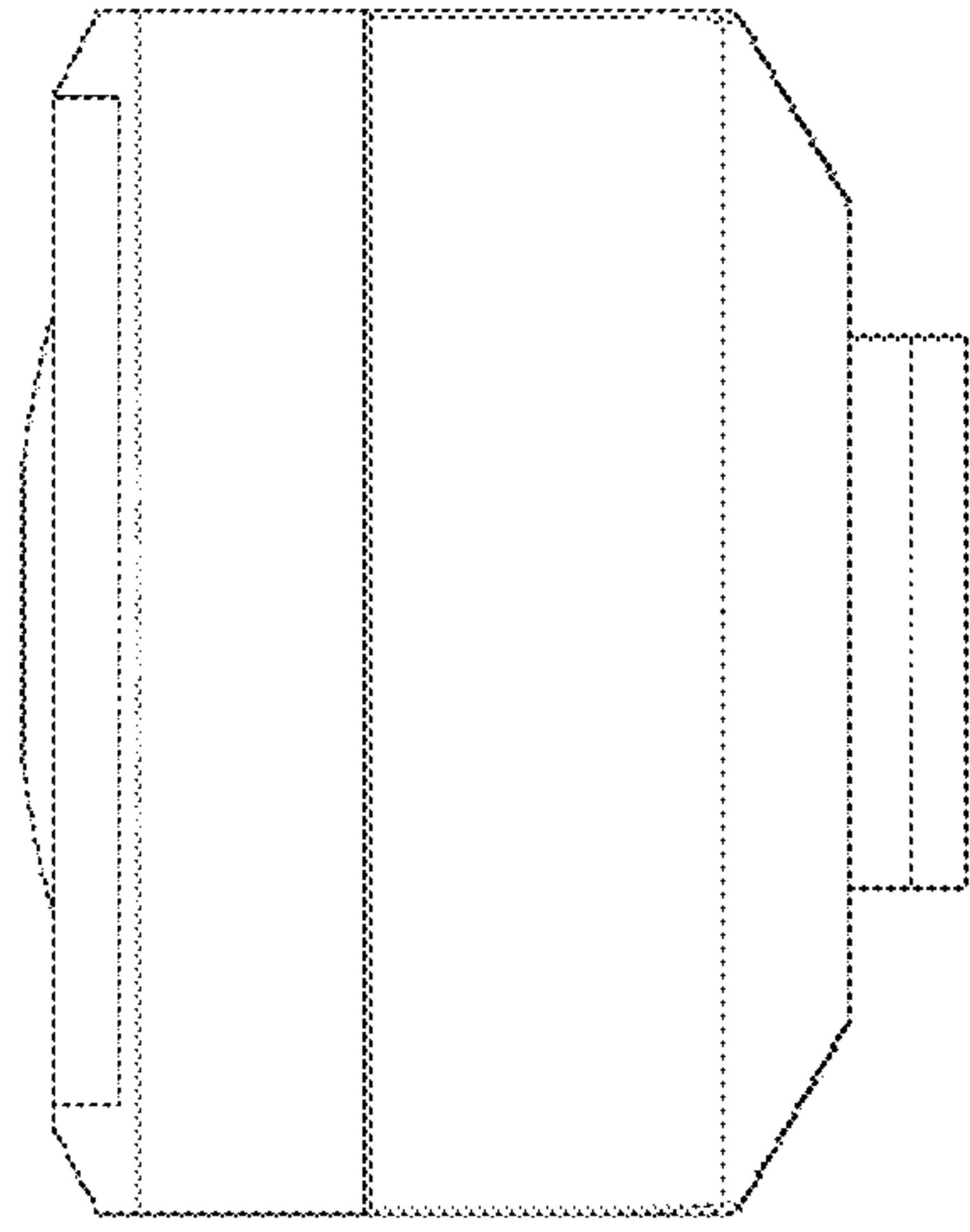


FIG. 7

©2015 iCradle GmbH

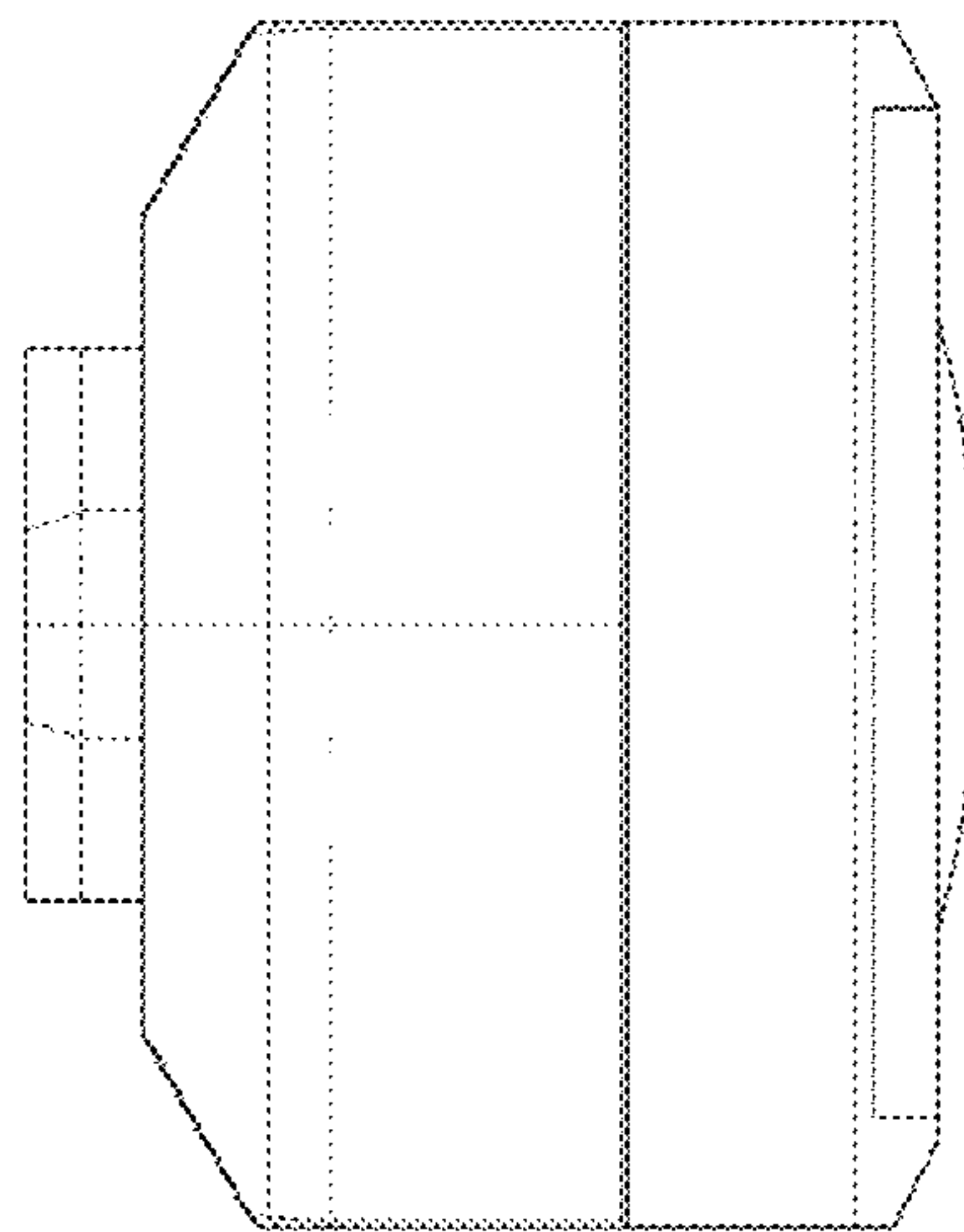


FIG. 8

©2015 iCradle GmbH



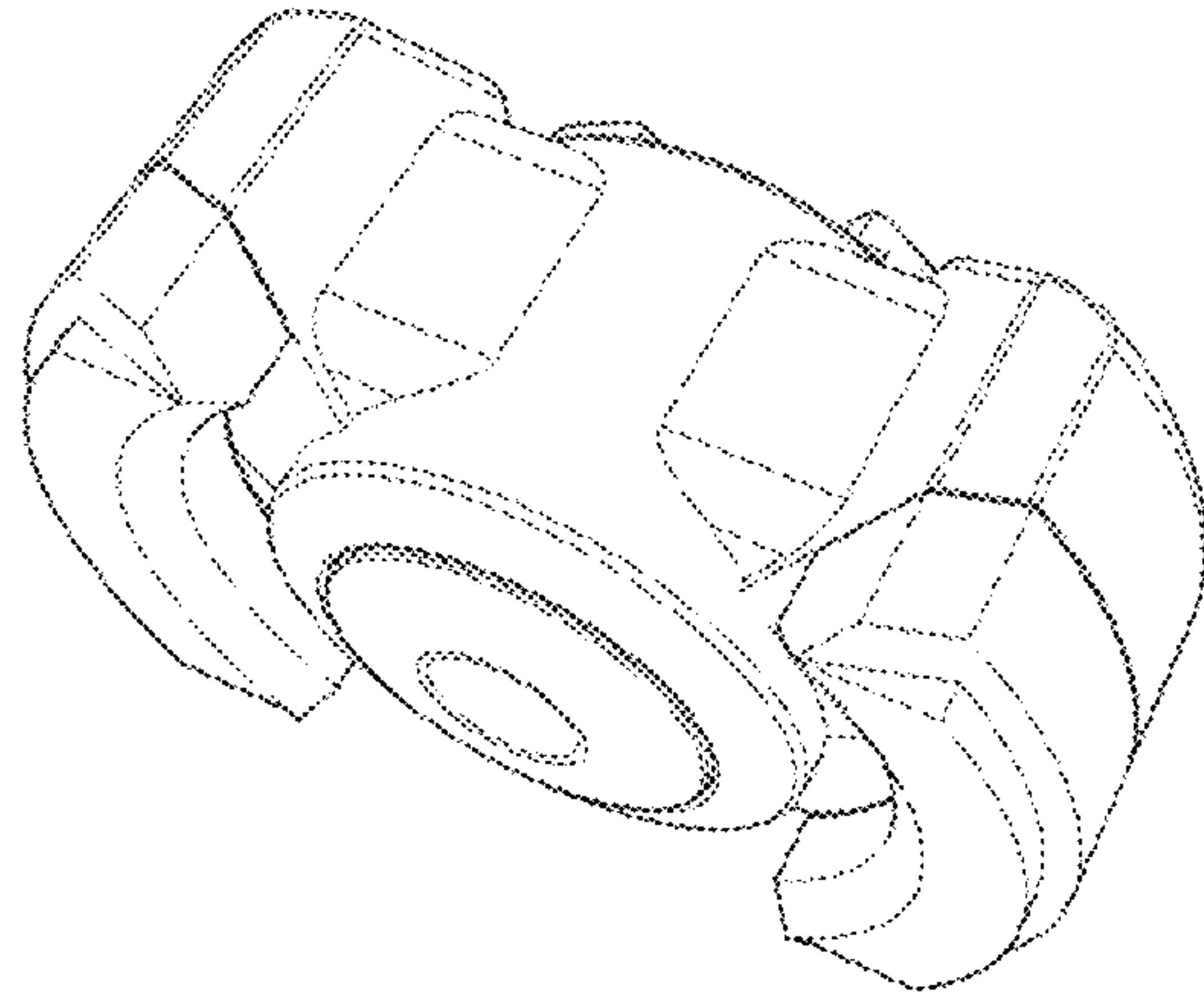


FIG. 9

©2015 iCradle GmbH

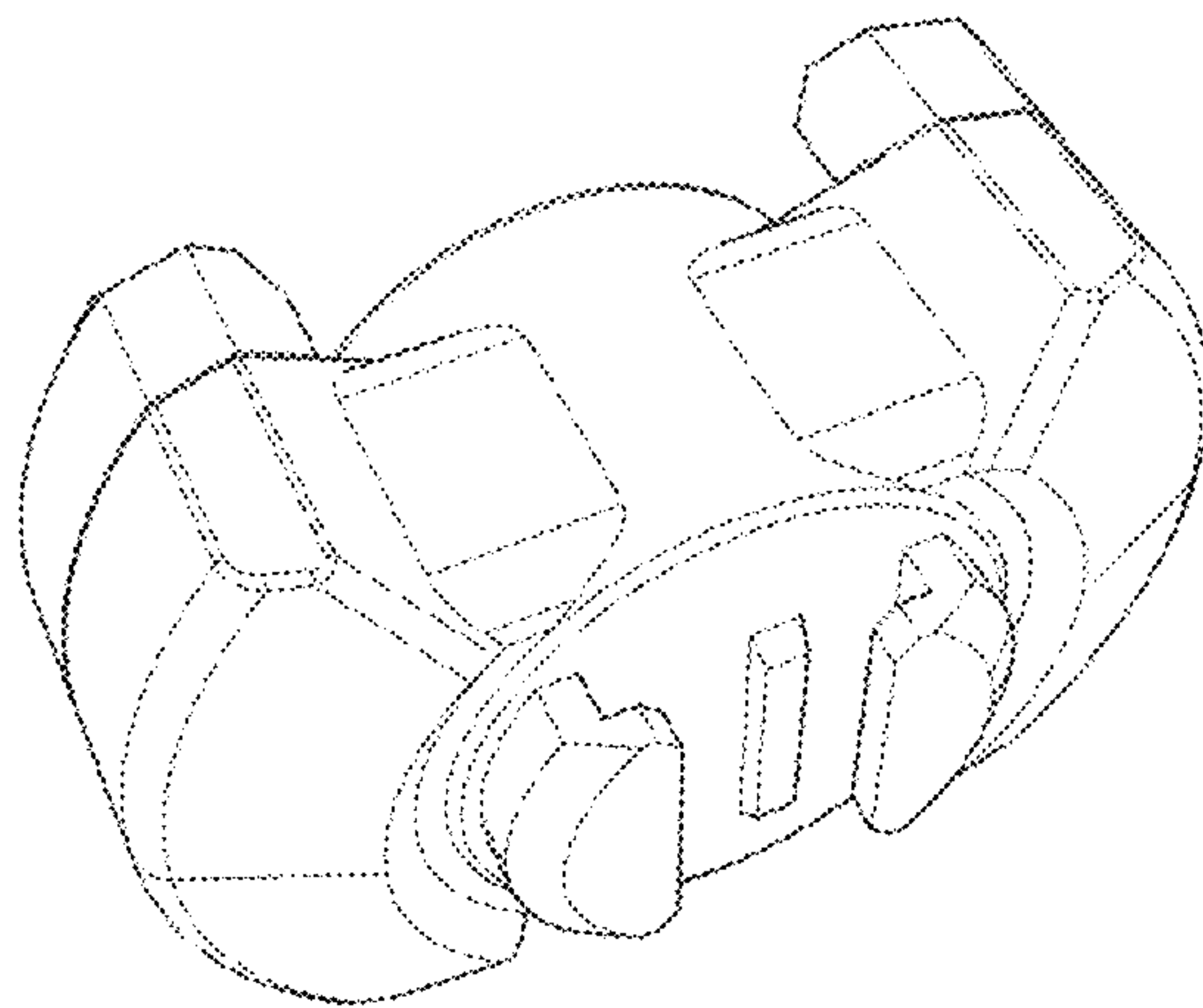


FIG. 10

©2015 iCradle GmbH

UNITED STATES PATENT AND TRADEMARK OFFICE  
**CERTIFICATE OF CORRECTION**

PATENT NO. : D775,749 S  
APPLICATION NO. : 29/528190  
DATED : January 3, 2017  
INVENTOR(S) : Micha Daniels and Alexander Erdwiens

Page 1 of 1

It is certified that error appears in the above-identified patent and that said Letters Patent is hereby corrected as shown below:

On the Title Page

Item (72) Inventors: "Erdwins" replace with --Erdwiens--

Signed and Sealed this  
Twenty-seventh Day of June, 2017



Joseph Matal  
*Performing the Functions and Duties of the  
Under Secretary of Commerce for Intellectual Property and  
Director of the United States Patent and Trademark Office*