



US00D775748S

(12) **United States Design Patent**  
**Curic et al.**

(10) **Patent No.:** **US D775,748 S**

(45) **Date of Patent:** **\*\* Jan. 3, 2017**

(54) **VEHICLE FRONT BUMPER COVER LAMP**

(71) Applicant: **Ford Global Technologies, LLC**,  
Dearborn, MI (US)

(72) Inventors: **Kemal Curic**, West Bloomfield, MI  
(US); **Shawn Wehrly**, Northville, MI  
(US)

(73) Assignee: **Ford Global Technologies, LLC**,  
Dearborn, MI (US)

(\*\*) Term: **15 Years**

(21) Appl. No.: **29/505,610**

(22) Filed: **Dec. 23, 2015**

(51) **LOC (10) Cl.** ..... **26-07**

(52) **U.S. Cl.**  
USPC ..... **D26/28**

(58) **Field of Classification Search**  
USPC ..... D26/28-36; 362/459-468, 475-478,  
362/485-487  
CPC ..... F21S 48/00; F21S 48/10; F21S 48/115;  
F21S 48/225; F21S 48/1233; F21S  
48/1266; F21S 48/1388; F21S 48/2268;  
F21V 21/04

See application file for complete search history.

(56) **References Cited**

**U.S. PATENT DOCUMENTS**

D305,693 S \* 1/1990 Hamasaki ..... D26/35  
D412,214 S \* 7/1999 Hejtmanek ..... D26/28

D451,616 S \* 12/2001 Pfeiffer ..... D26/28  
D552,273 S \* 10/2007 Gresens ..... D26/28  
D573,732 S \* 7/2008 Suzuki ..... D26/28  
D728,136 S \* 4/2015 Ha ..... D26/28  
D728,137 S \* 4/2015 Ha ..... D26/28  
D747,019 S \* 1/2016 Behmer ..... D26/28  
D750,292 S \* 2/2016 Platto ..... D26/28  
D751,232 S \* 3/2016 Wolff ..... D26/28  
D759,864 S \* 6/2016 Shim ..... D26/28  
D760,410 S \* 6/2016 Arroba ..... D26/28

\* cited by examiner

*Primary Examiner* — Angela J Lee

(74) *Attorney, Agent, or Firm* — Damian Porcari

(57) **CLAIM**

The ornamental design for a vehicle front bumper cover lamp, as shown and described.

**DESCRIPTION**

FIG. 1 is a top front perspective view of the first embodiment of a vehicle front bumper cover lamp, showing our new design;

FIG. 2 is a bottom front perspective view thereof;

FIG. 3 is a top rear perspective view thereof;

FIG. 4 is a front elevational view thereof;

FIG. 5 is a rear elevational view thereof;

FIG. 6 is a right side elevational view thereof;

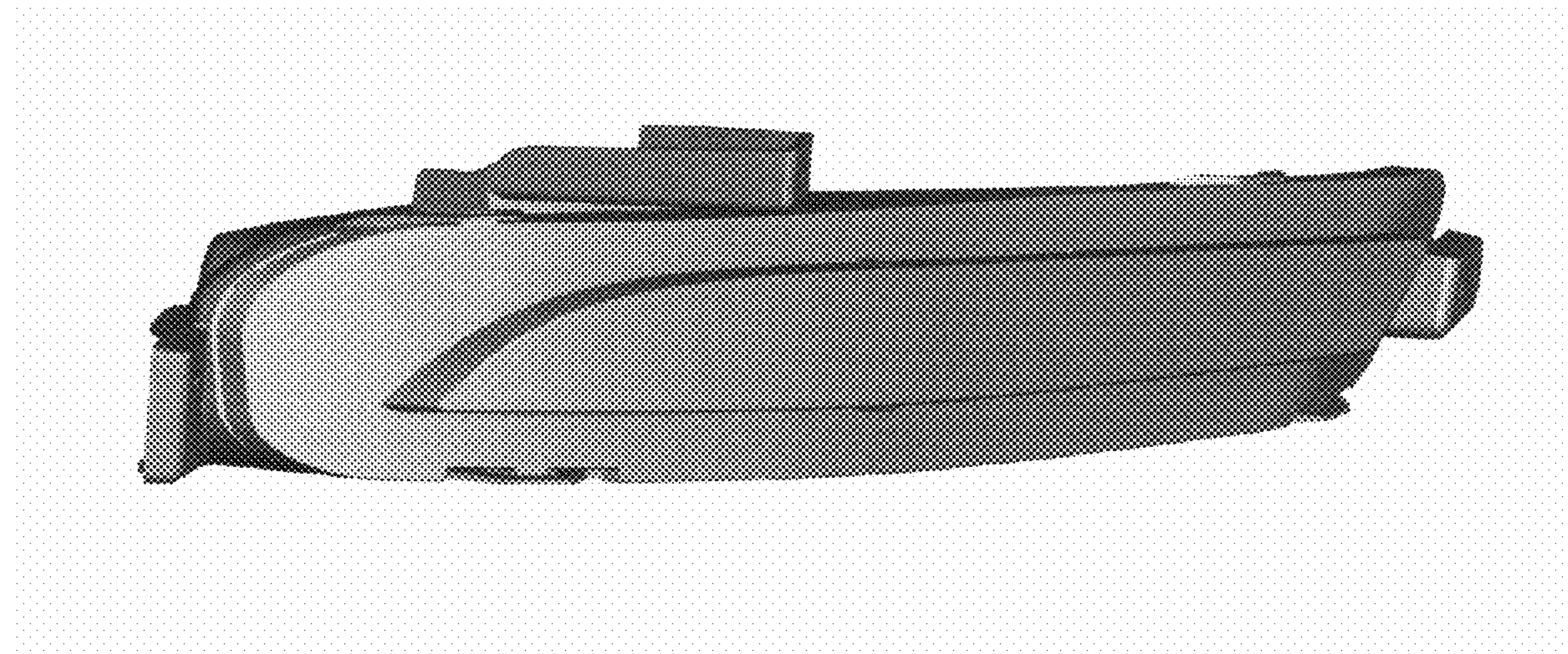
FIG. 7 is a left side elevational view thereof;

FIG. 8 is a top plan view thereof; and,

FIG. 9 is a bottom plan view thereof.

The second embodiment of the vehicle front bumper cover lamp is a mirror image of the first embodiment disclosed in FIGS. 1 through 9 and is not shown.

**1 Claim, 9 Drawing Sheets**



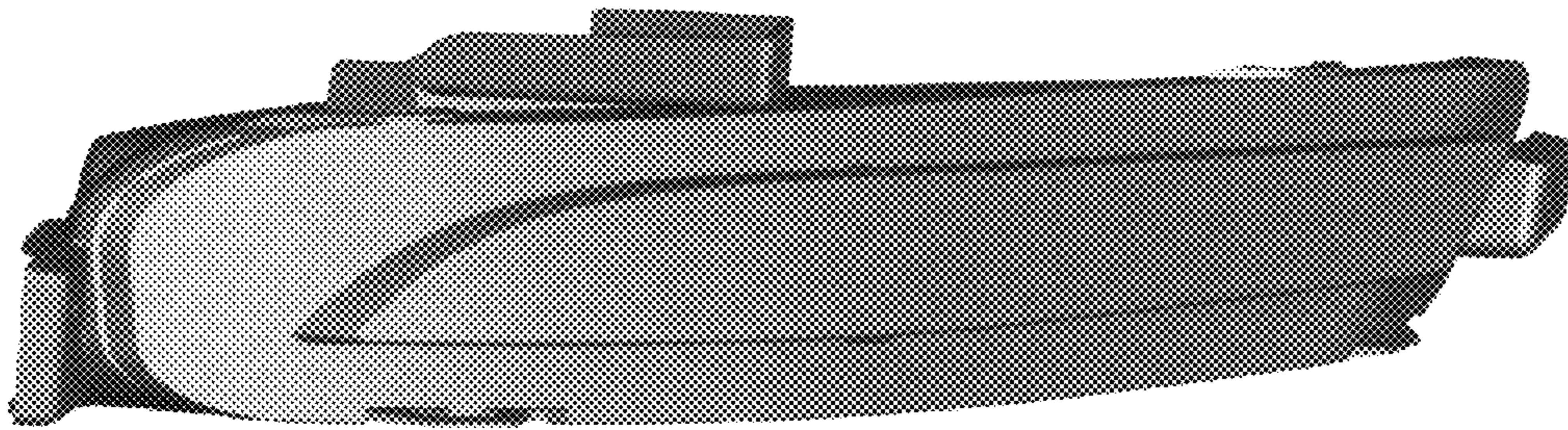


Figure 1

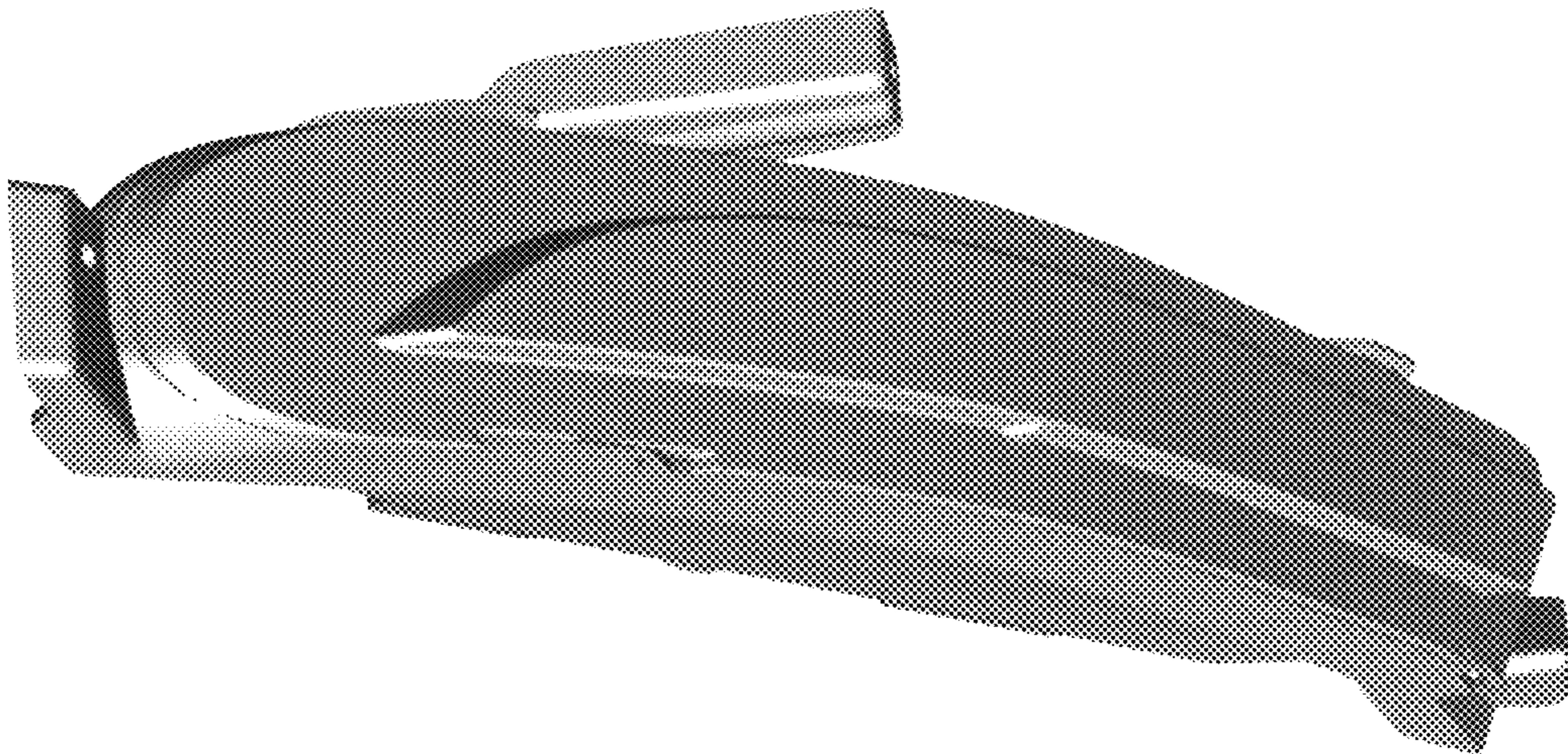


Figure 2

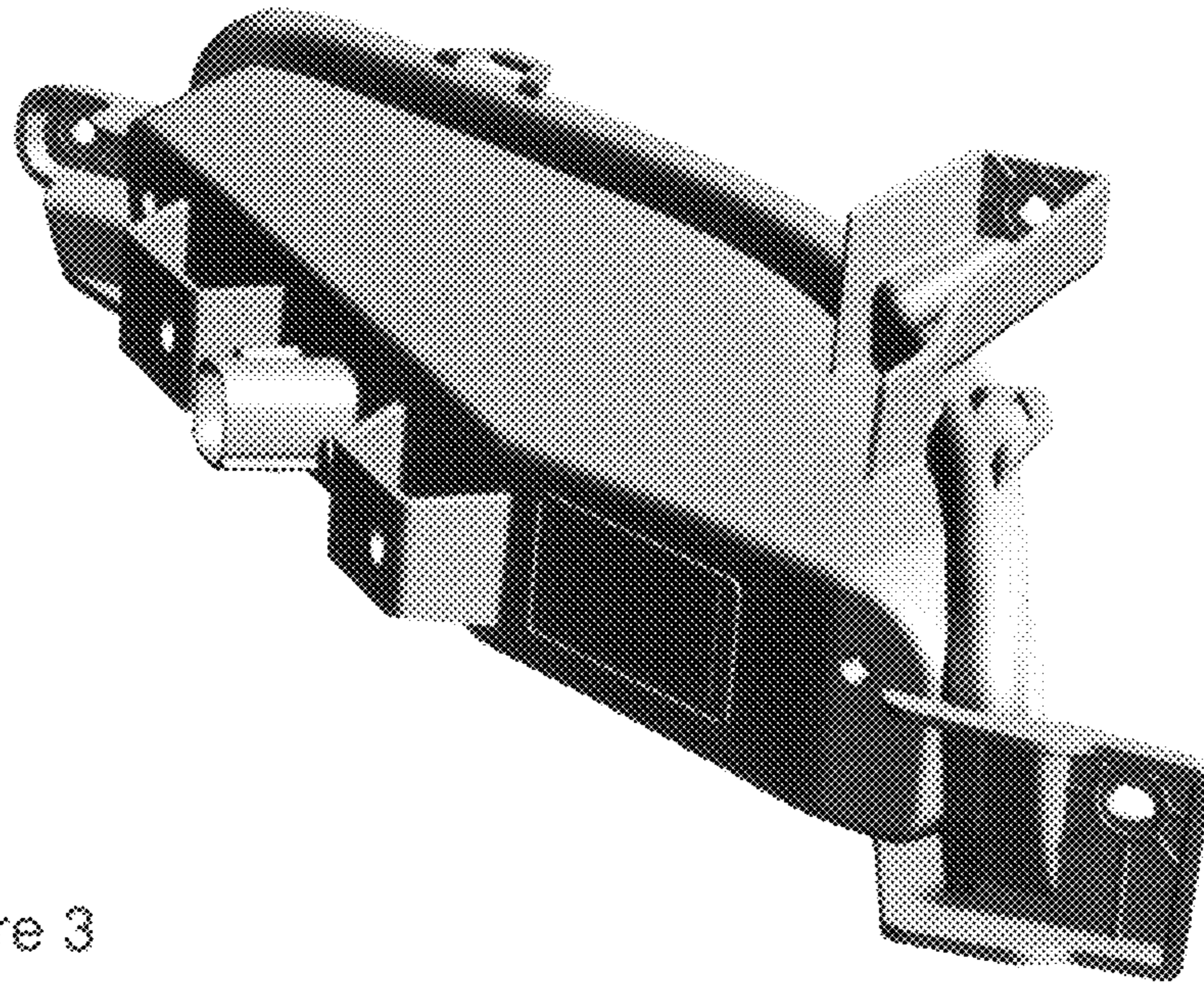


Figure 3

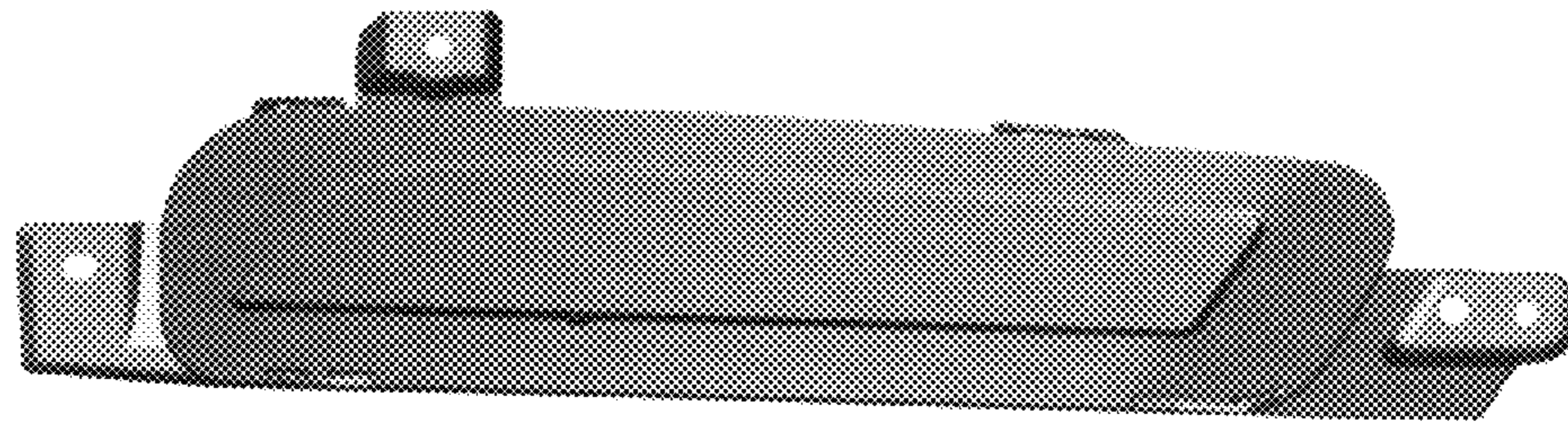


Figure 4

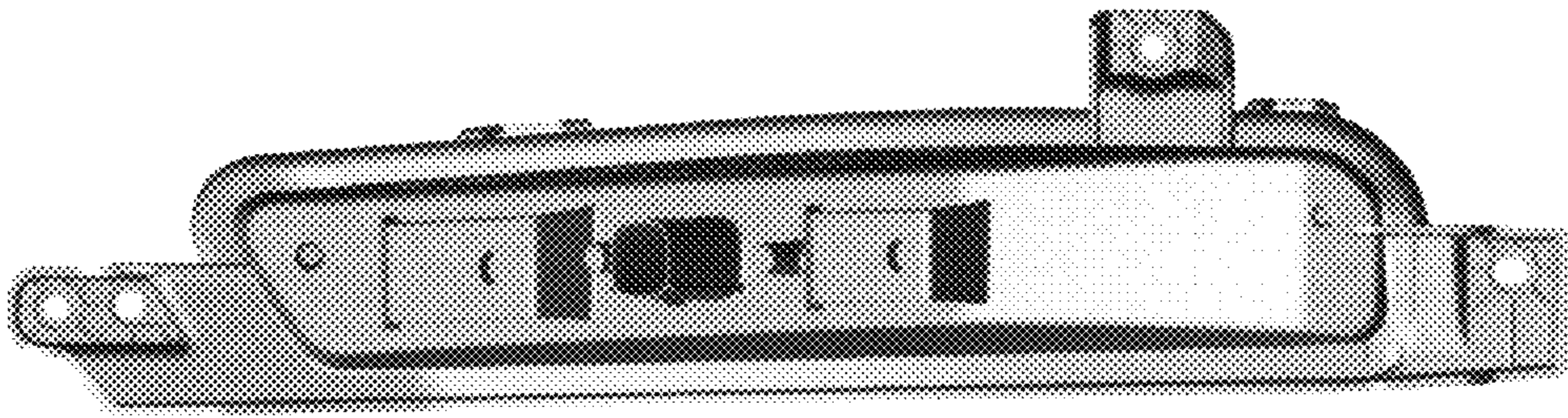


Figure 5

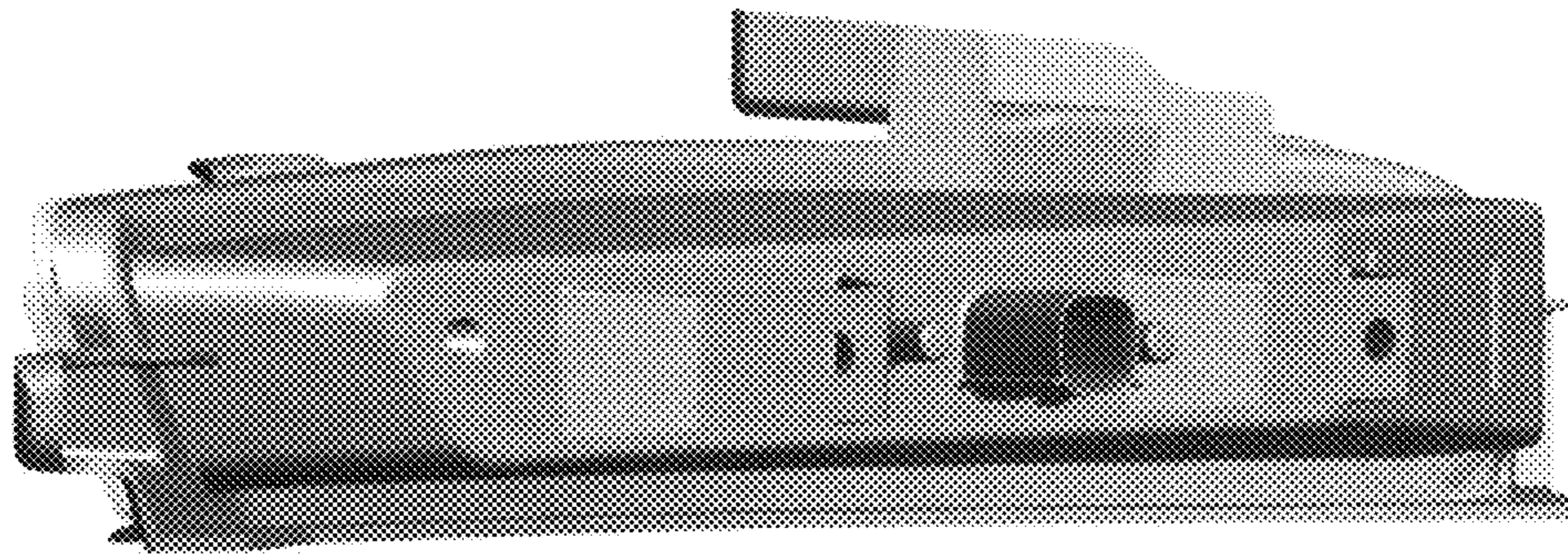


Figure 6

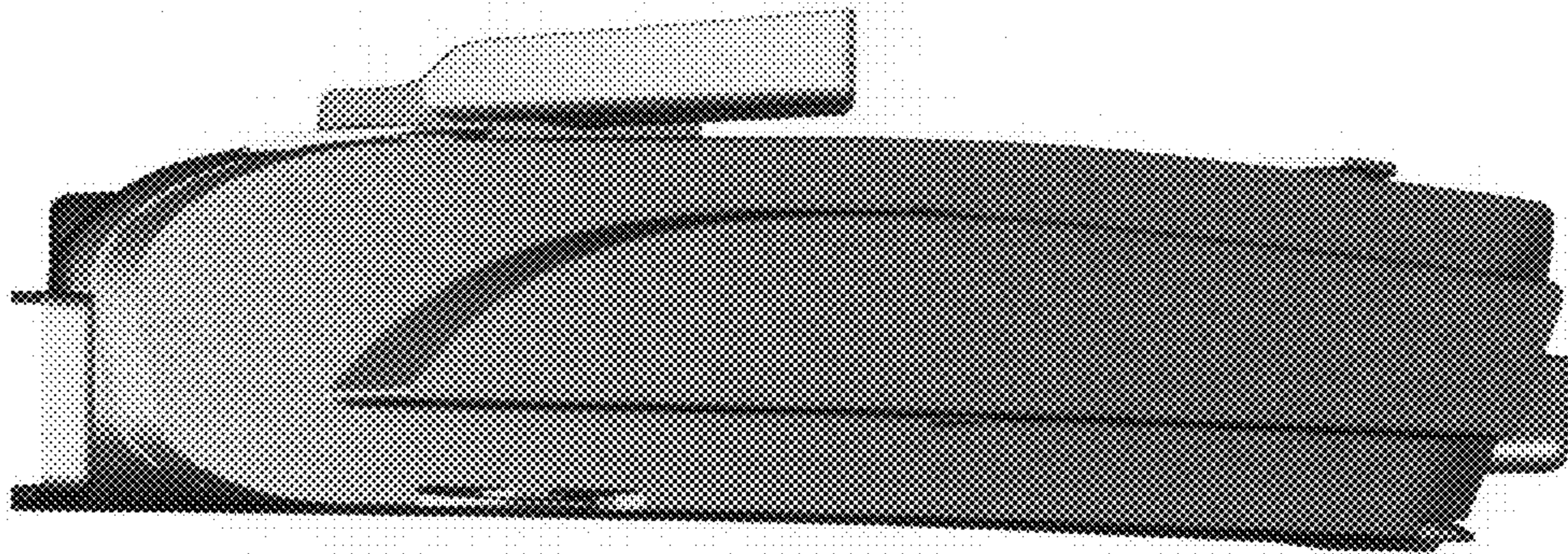


Figure 7



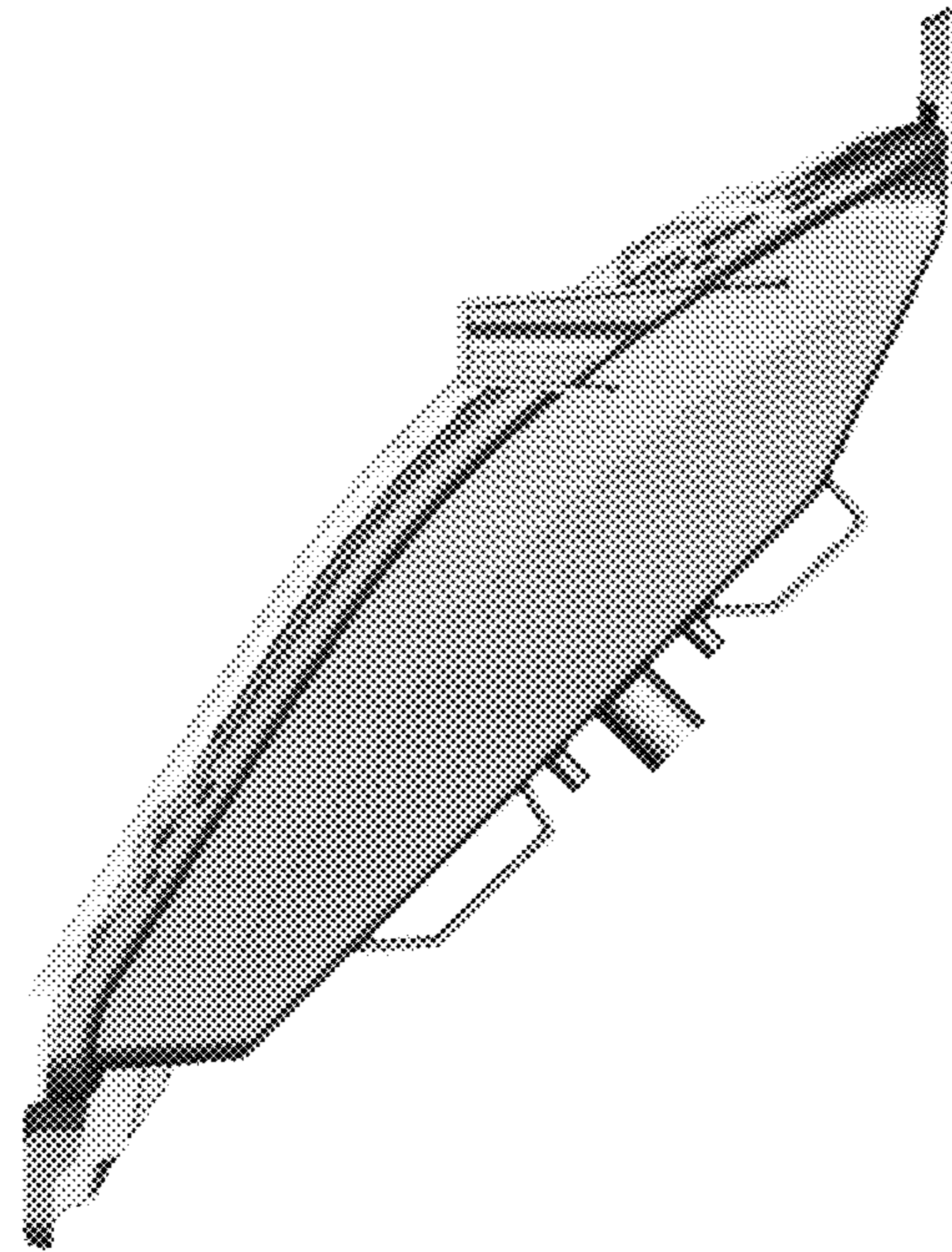


Figure 8

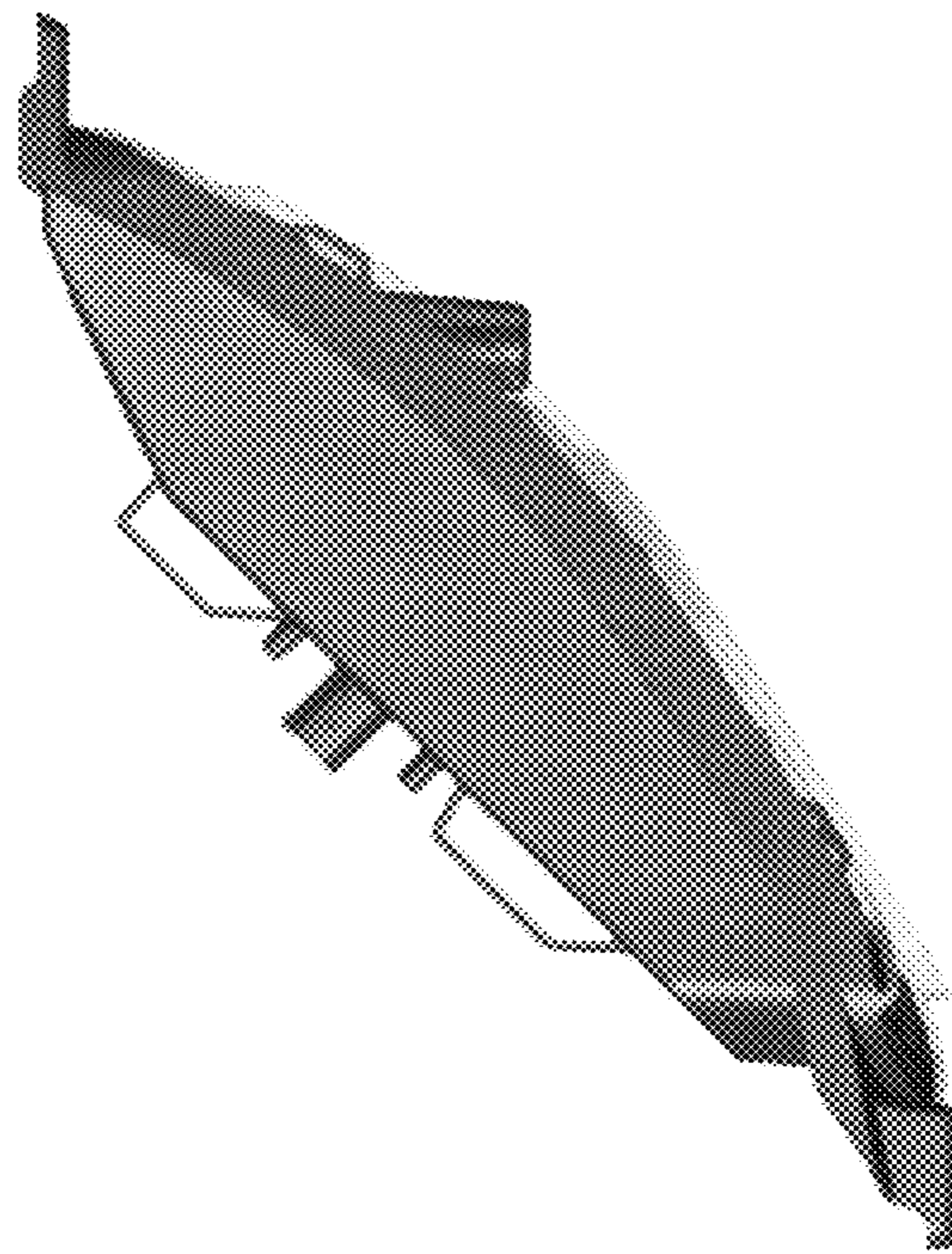


Figure 9