



US00D775743S

(12) **United States Design Patent** (10) **Patent No.:** **US D775,743 S**
Mort (45) **Date of Patent:** **** Jan. 3, 2017**

(54) **SIDING COMPONENT**

FOREIGN PATENT DOCUMENTS

(71) Applicant: **Mark Steven Mort**, Kalamazoo, MI (US)

CH EP 1081393 A1 * 3/2001 E04F 19/06
FR 2855539 A1 * 12/2004 E04C 3/44
WO WO 2011106095 A1 * 9/2011 B32B 21/02

(72) Inventor: **Mark Steven Mort**, Kalamazoo, MI (US)

Primary Examiner — Catheri Oliver-Garcia

Assistant Examiner — Rebekah A Caruso

(73) Assignee: **Mark Steven Mort**, Kalamazoo, MI (US)

(74) *Attorney, Agent, or Firm* — Warner Norcross & Judd LLP

(**) Term: **14 Years**

(57) **CLAIM**

The ornamental design for a siding component, as shown and described.

(21) Appl. No.: **29/515,401**

DESCRIPTION

(22) Filed: **Jan. 22, 2015**

(51) **LOC (10) Cl.** **25-01**

(52) **U.S. Cl.**
USPC **D25/139**

(58) **Field of Classification Search**
USPC D25/138–145, 149–153, 156–159,
D25/162–163, 199, 58, 110–111; D8/349,
D8/354, 382, 384

CPC E04D 1/00; E04D 1/12; E04D 1/14;
E04D 1/16; E04D 1/18; E04D 1/20; E04D
1/24; E04D 1/26; E04D 1/28; E04D 1/34;
E04D 1/265; E04D 2001/3461; E04F
13/08; E04F 13/0862; E04F
13/0864; E04F 13/0873; E04F 13/0894;
E04F 13/24; E04F 13/076;

(Continued)

(56) **References Cited**

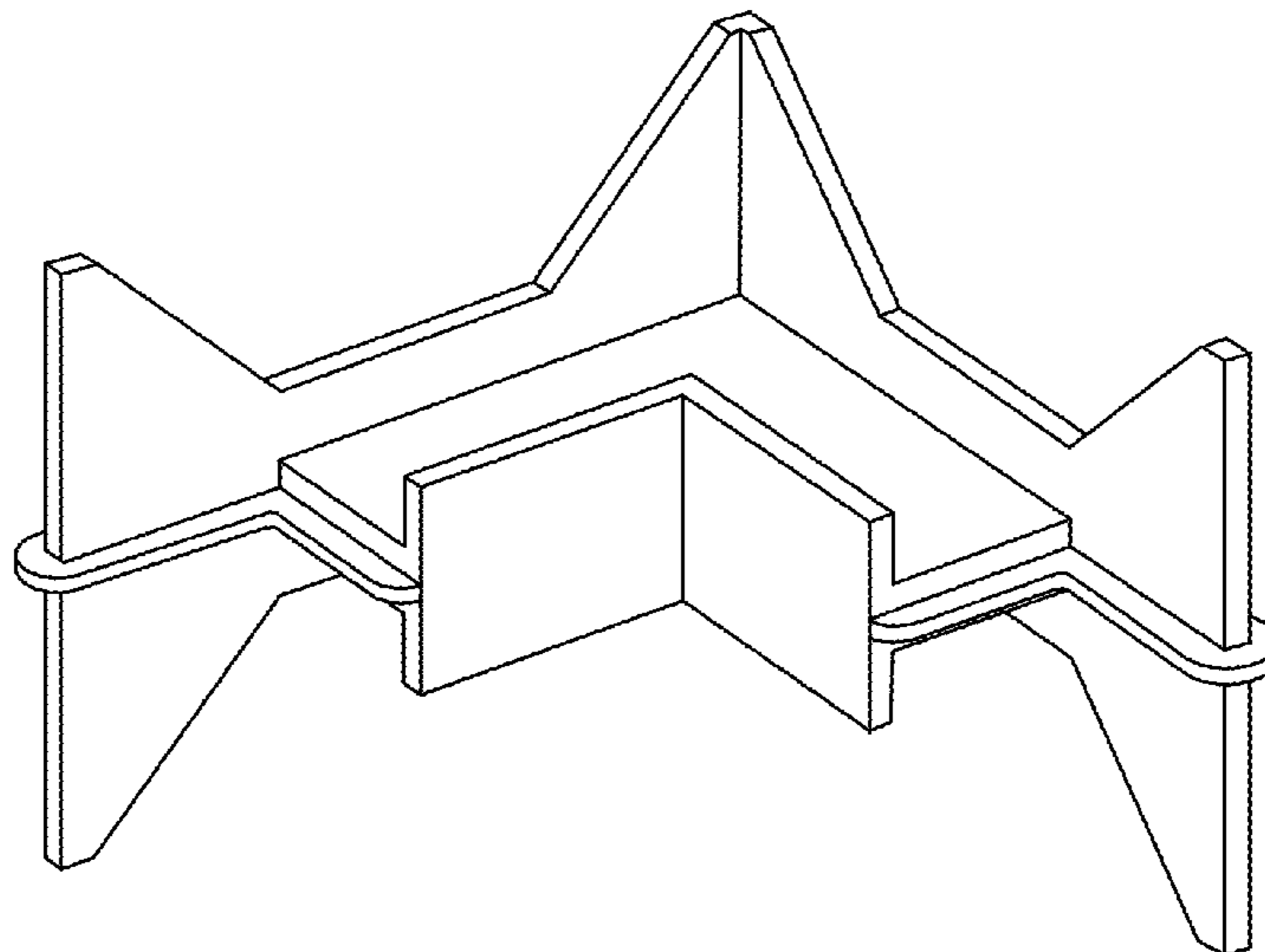
U.S. PATENT DOCUMENTS

2,114,044 A * 4/1938 Bonnell E04F 19/06
52/277
3,353,854 A * 11/1967 Hansen E04B 1/5818
403/171

(Continued)

FIG. 1 is a perspective view of a siding component;
FIG. 2 is a second perspective view thereof;
FIG. 3 is a right side front elevation view thereof;
FIG. 4 is a left side front elevation view thereof;
FIG. 5 is a top plan view thereof;
FIG. 6 is a bottom plan view thereof;
FIG. 7 is a right back side elevation view thereof, which is identical to the left back side elevation view thereof;
FIG. 8 is a perspective view of another embodiment of a siding component;
FIG. 9 is a second perspective view of the siding component of FIG. 8;
FIG. 10 is a right side front elevation view of the siding component of FIG. 8;
FIG. 11 is a left side front elevation view of the siding component of FIG. 8;
FIG. 12 is a top plan view of the siding component of FIG. 8;
FIG. 13 is a bottom plan view of the siding component of FIG. 8; and,
FIG. 14 is a right back side elevation view of the siding component of FIG. 8, which is identical to the left back side elevation view of the siding component of FIG. 8.

1 Claim, 8 Drawing Sheets



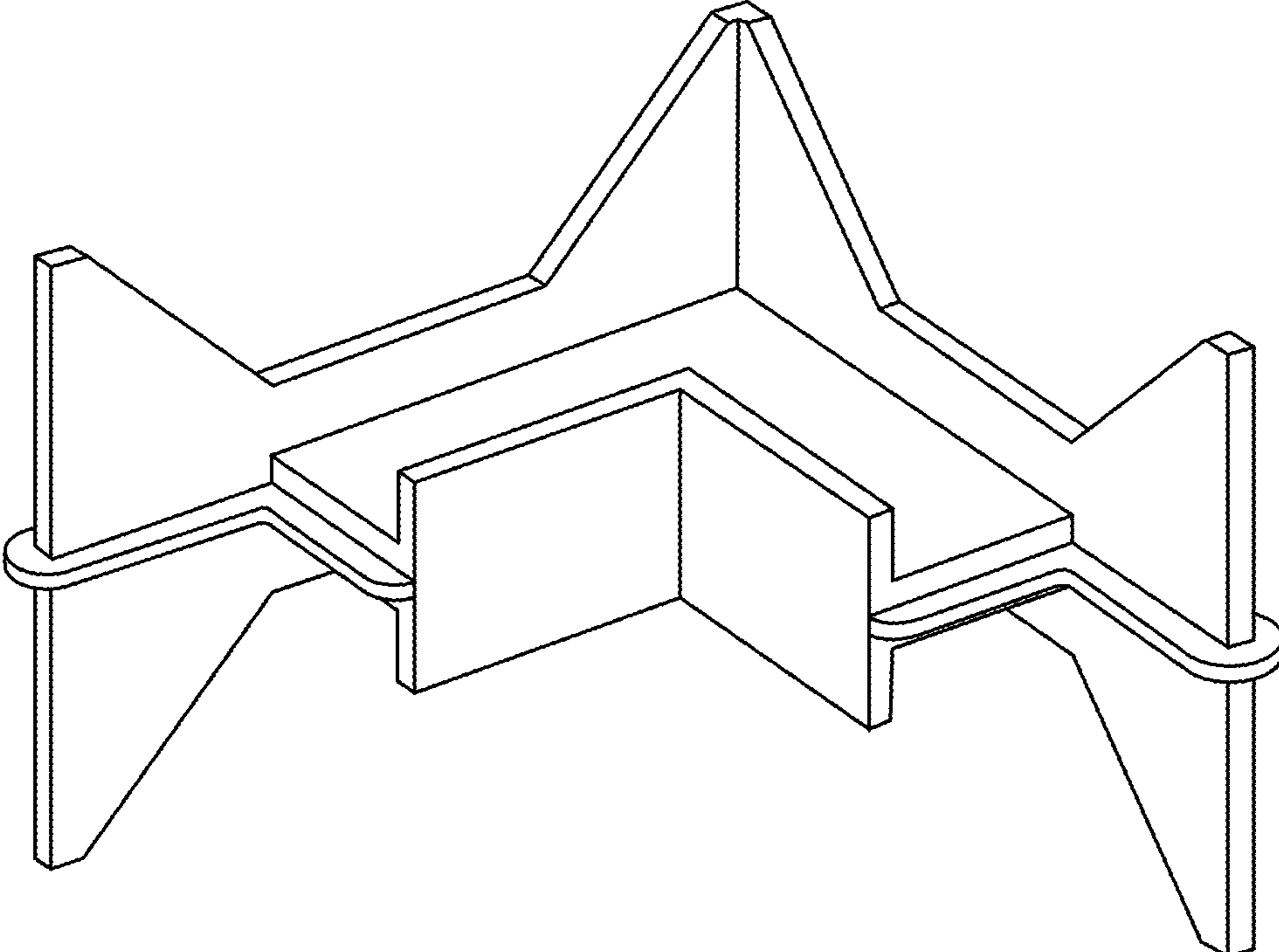


FIG. 1

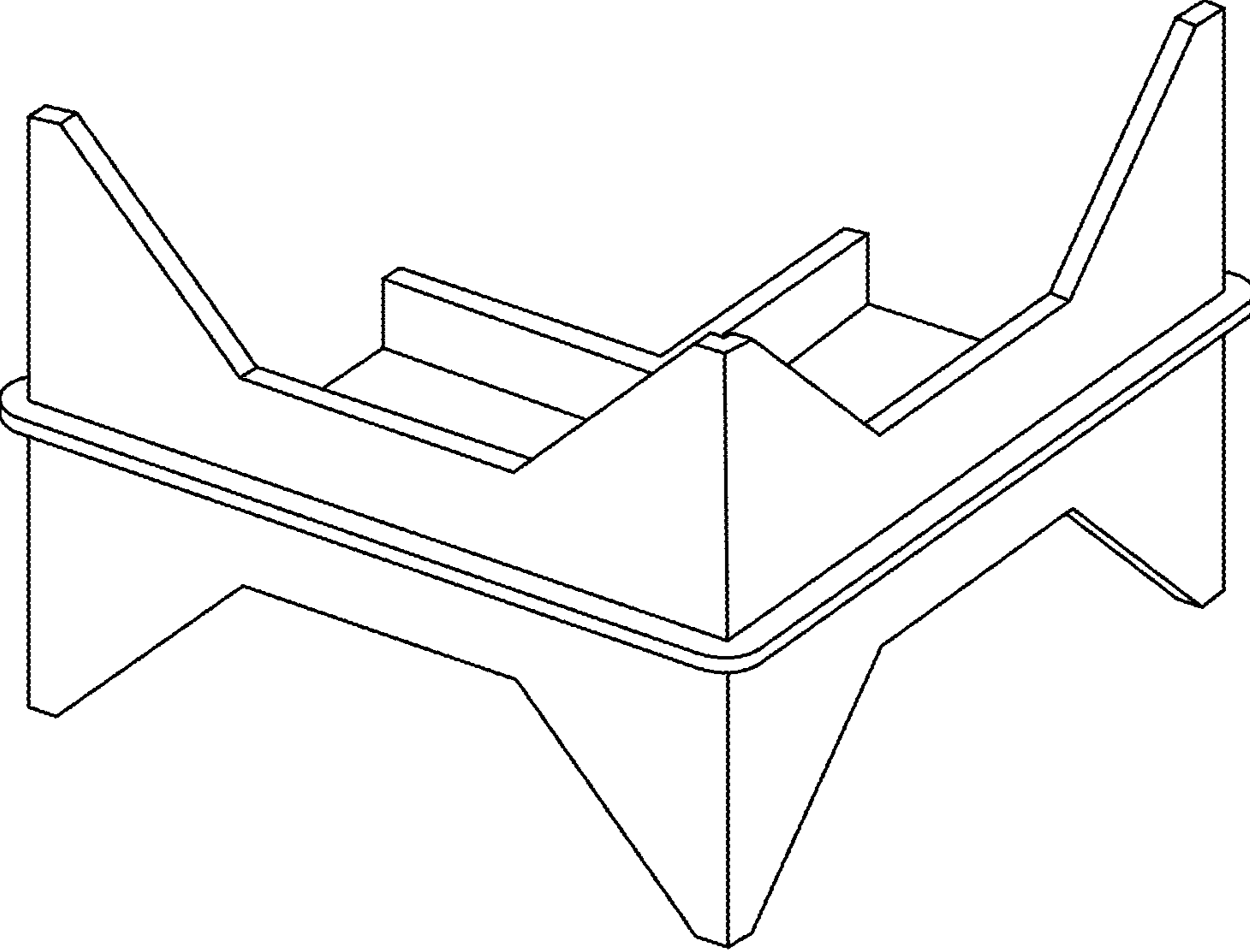


FIG. 2

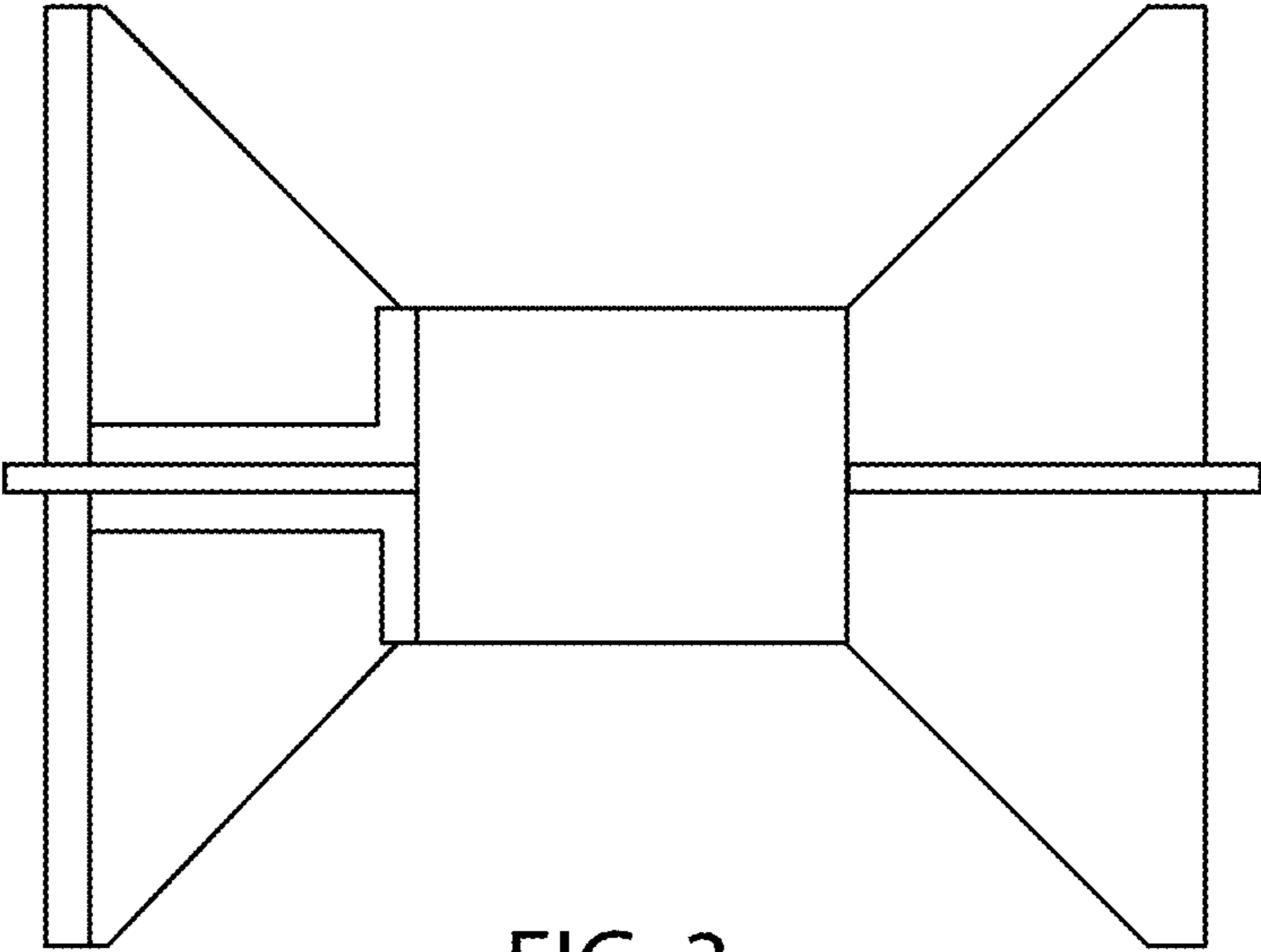


FIG. 3

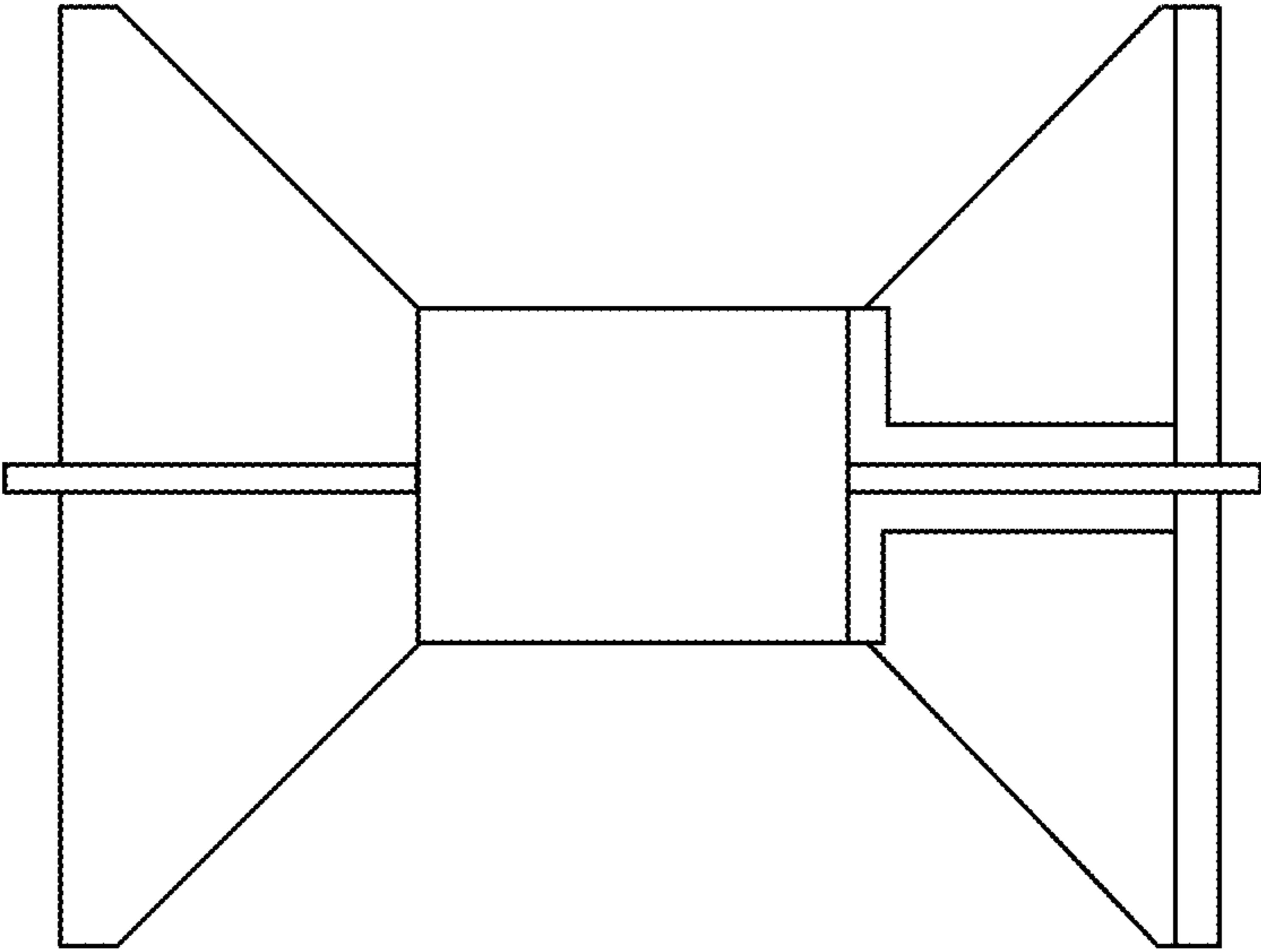


FIG. 4

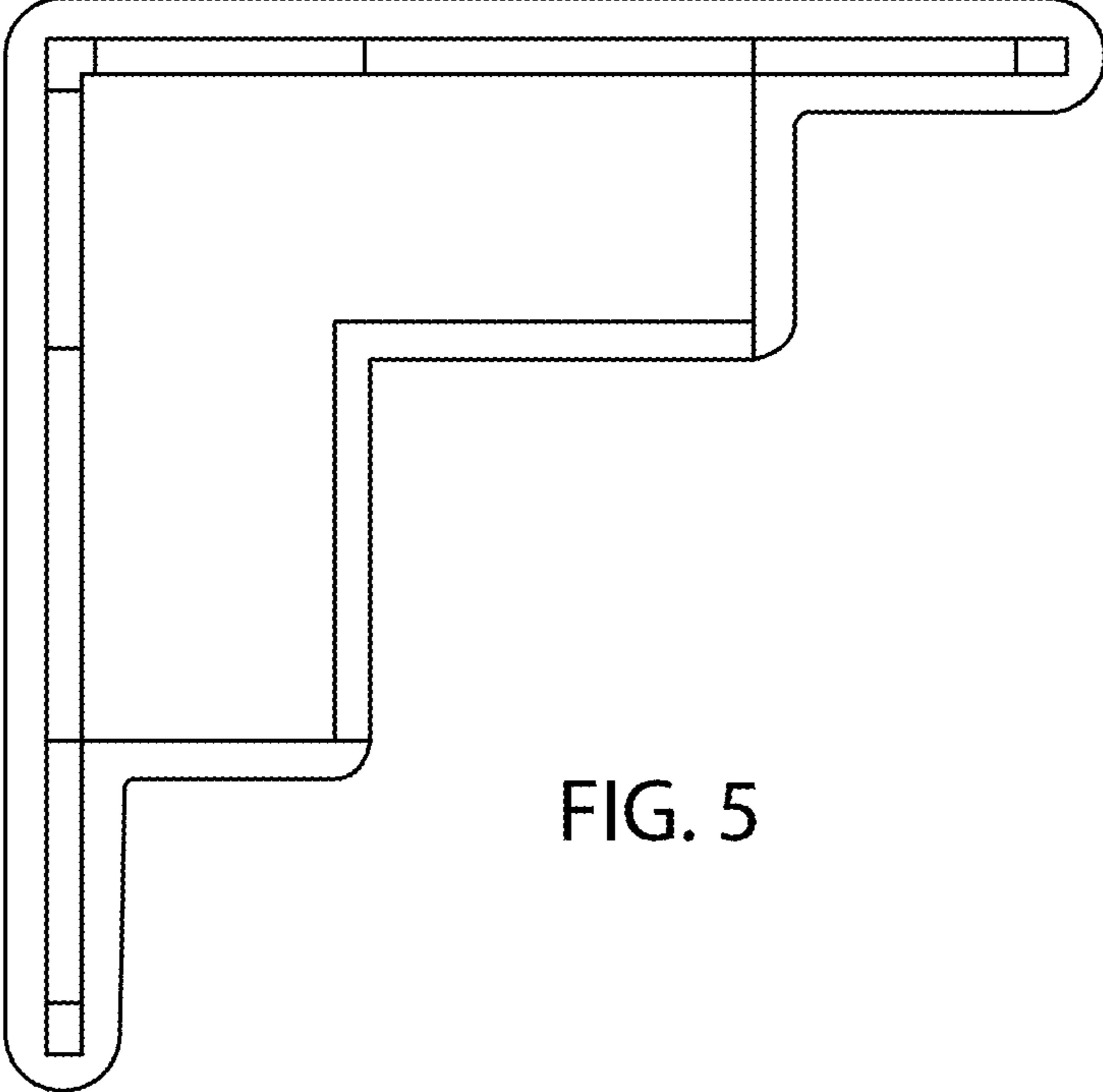


FIG. 5

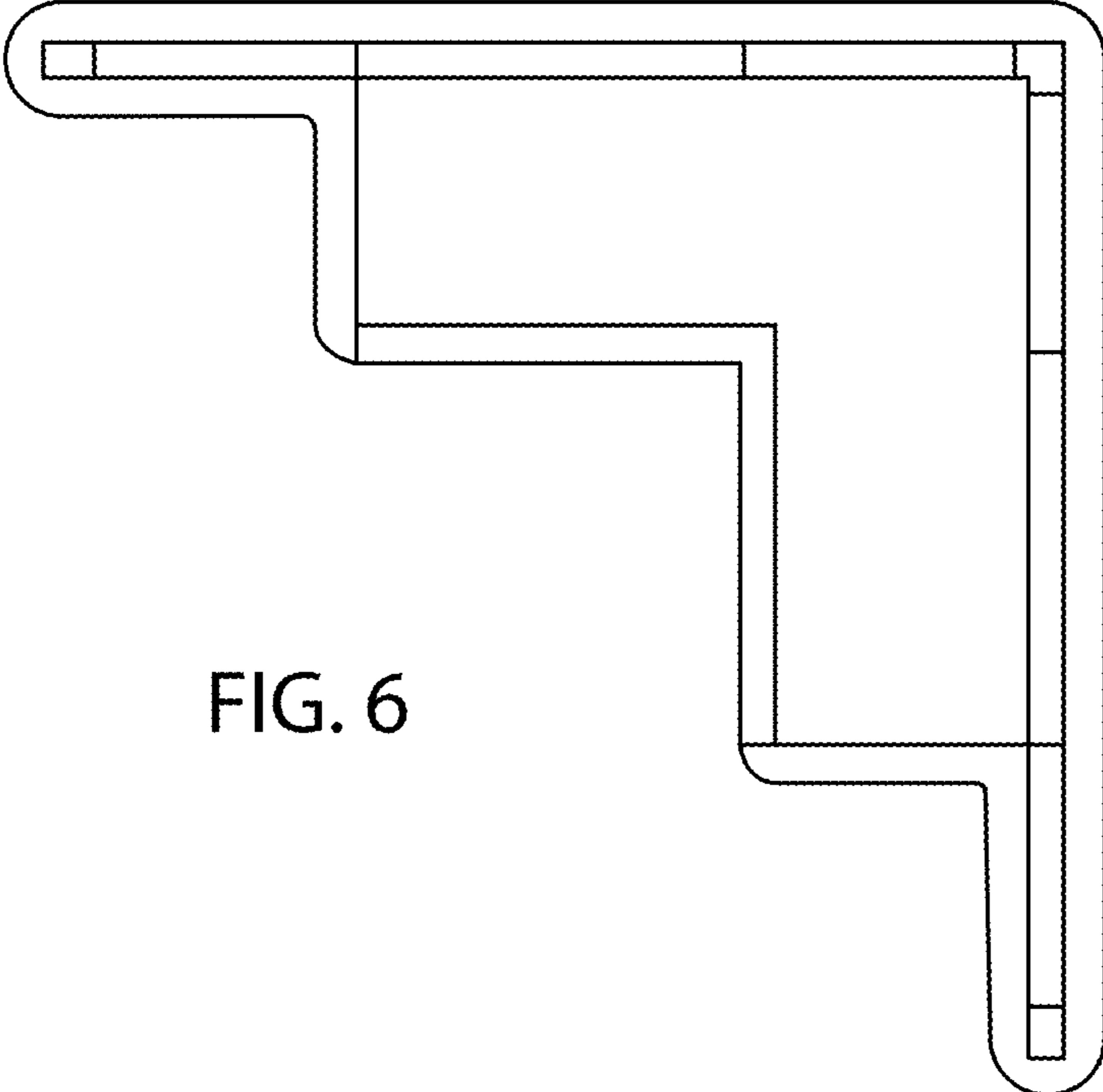


FIG. 6

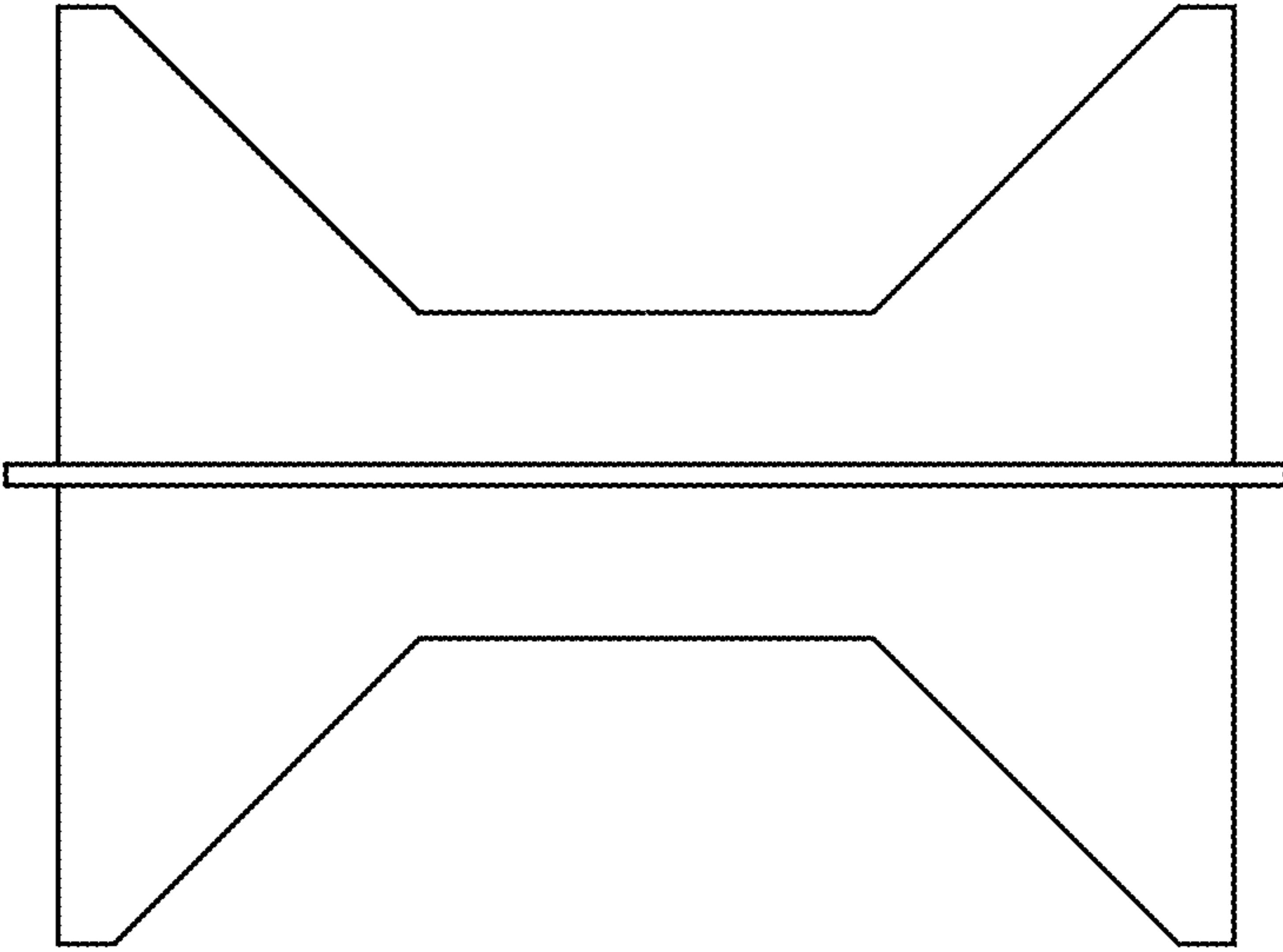


FIG. 7

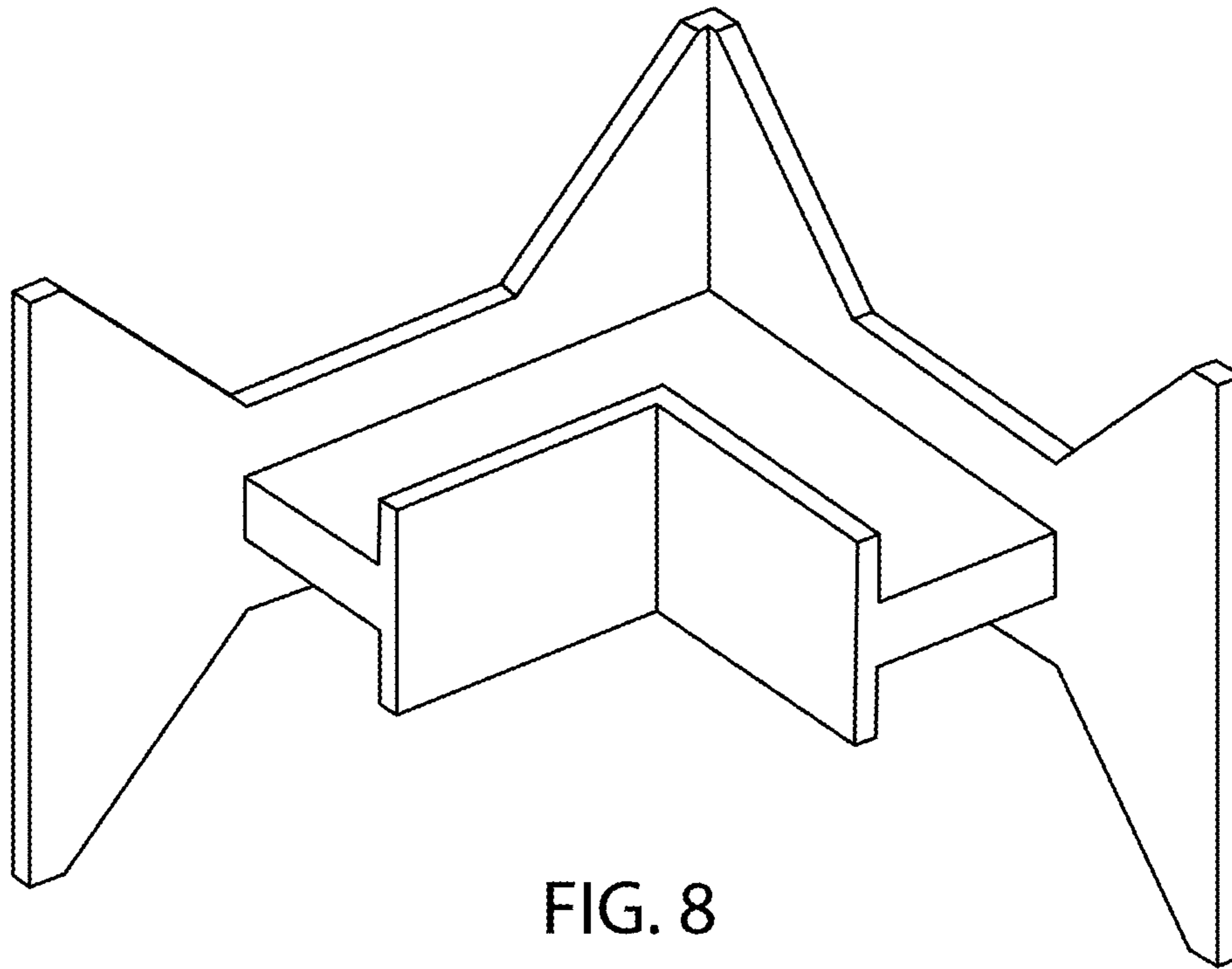


FIG. 8

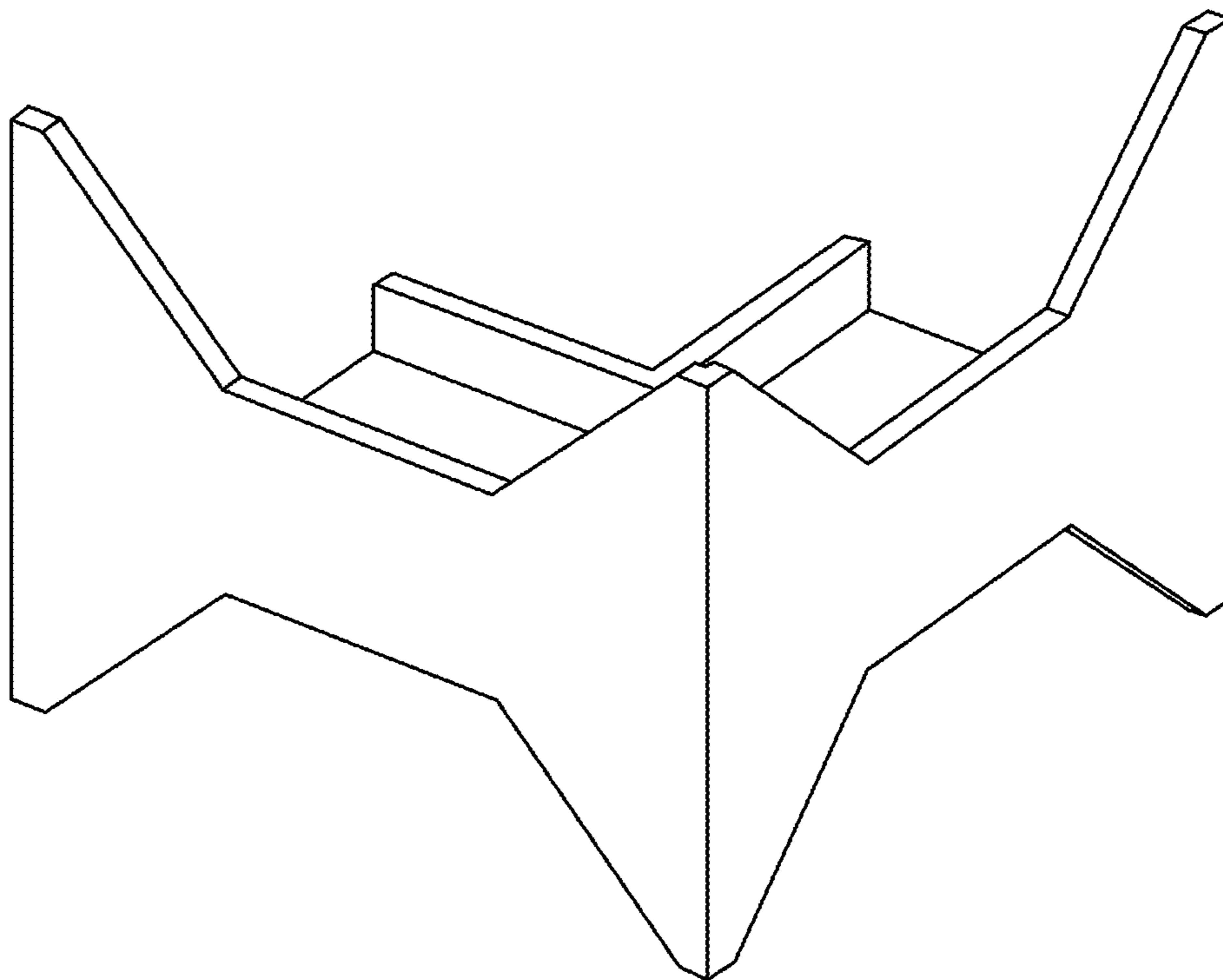


FIG. 9

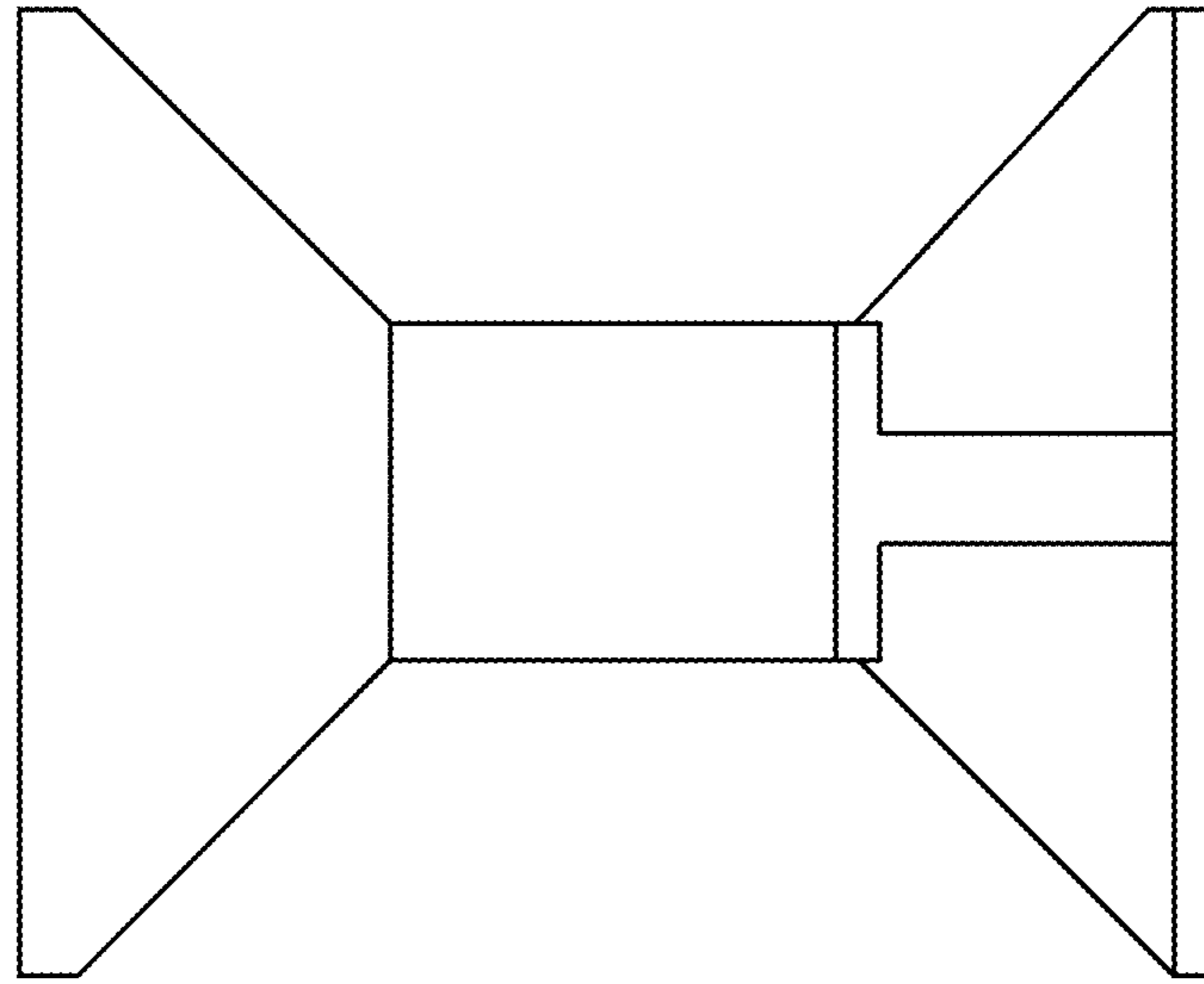


FIG. 10

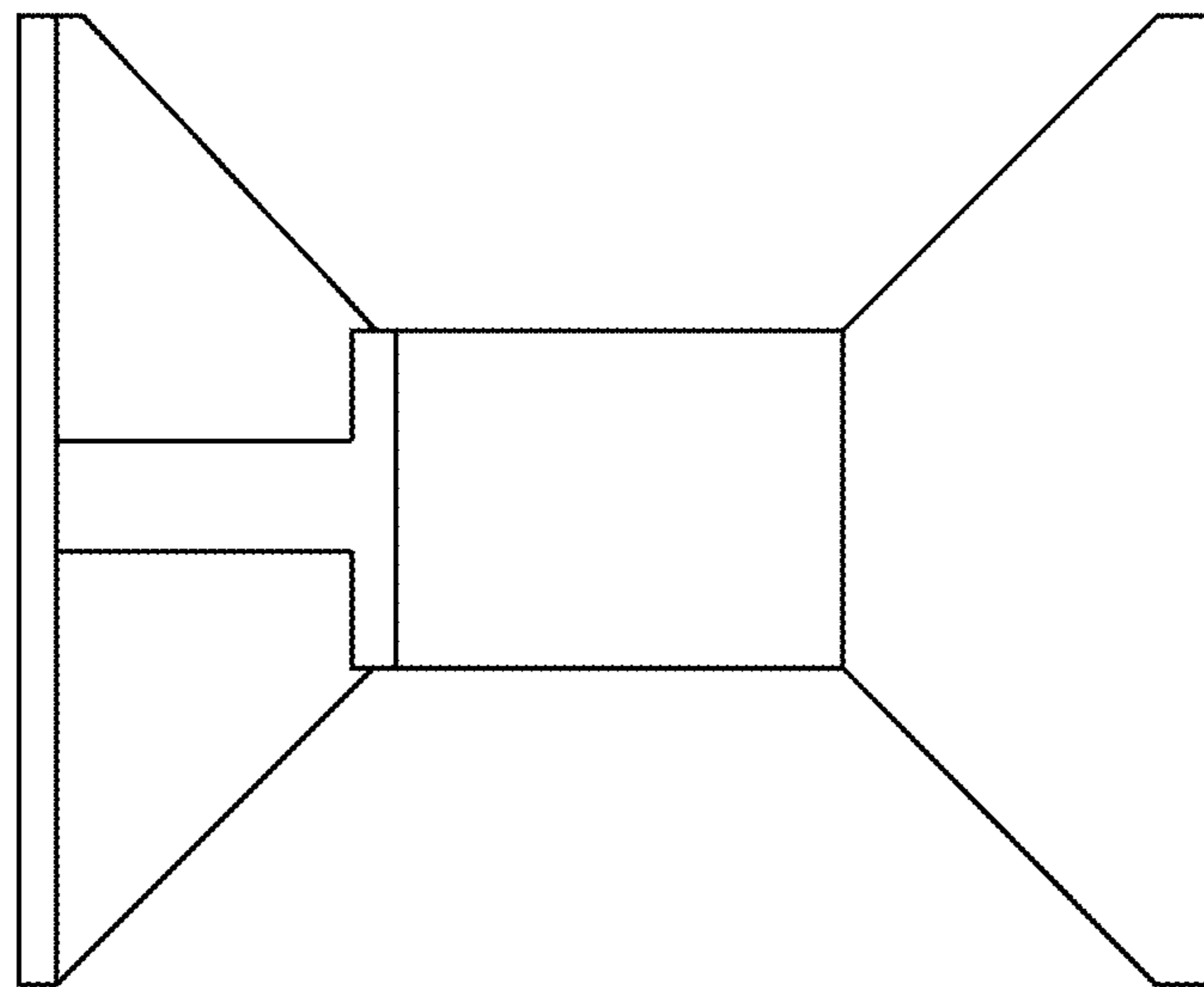


FIG. 11

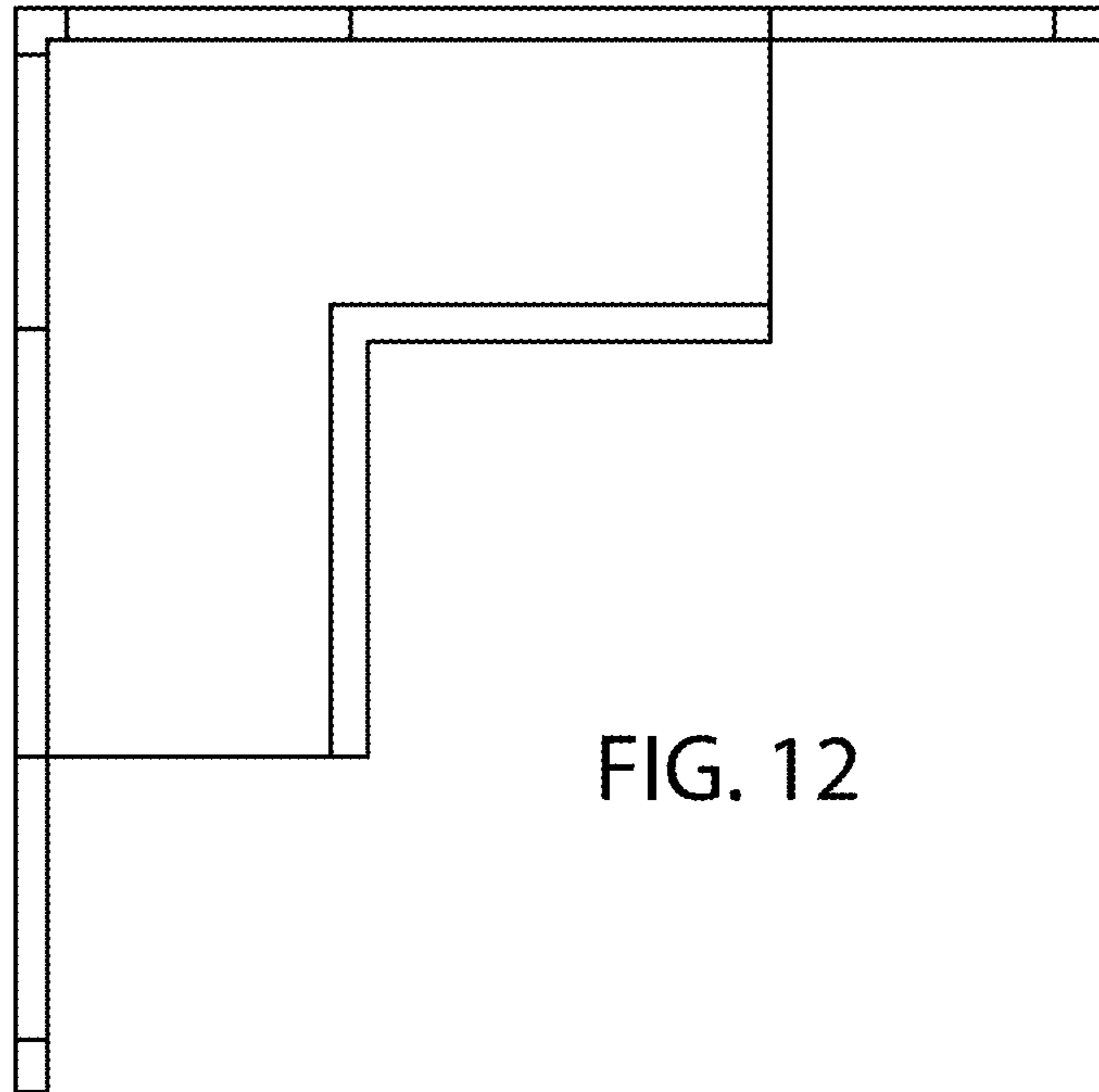


FIG. 12

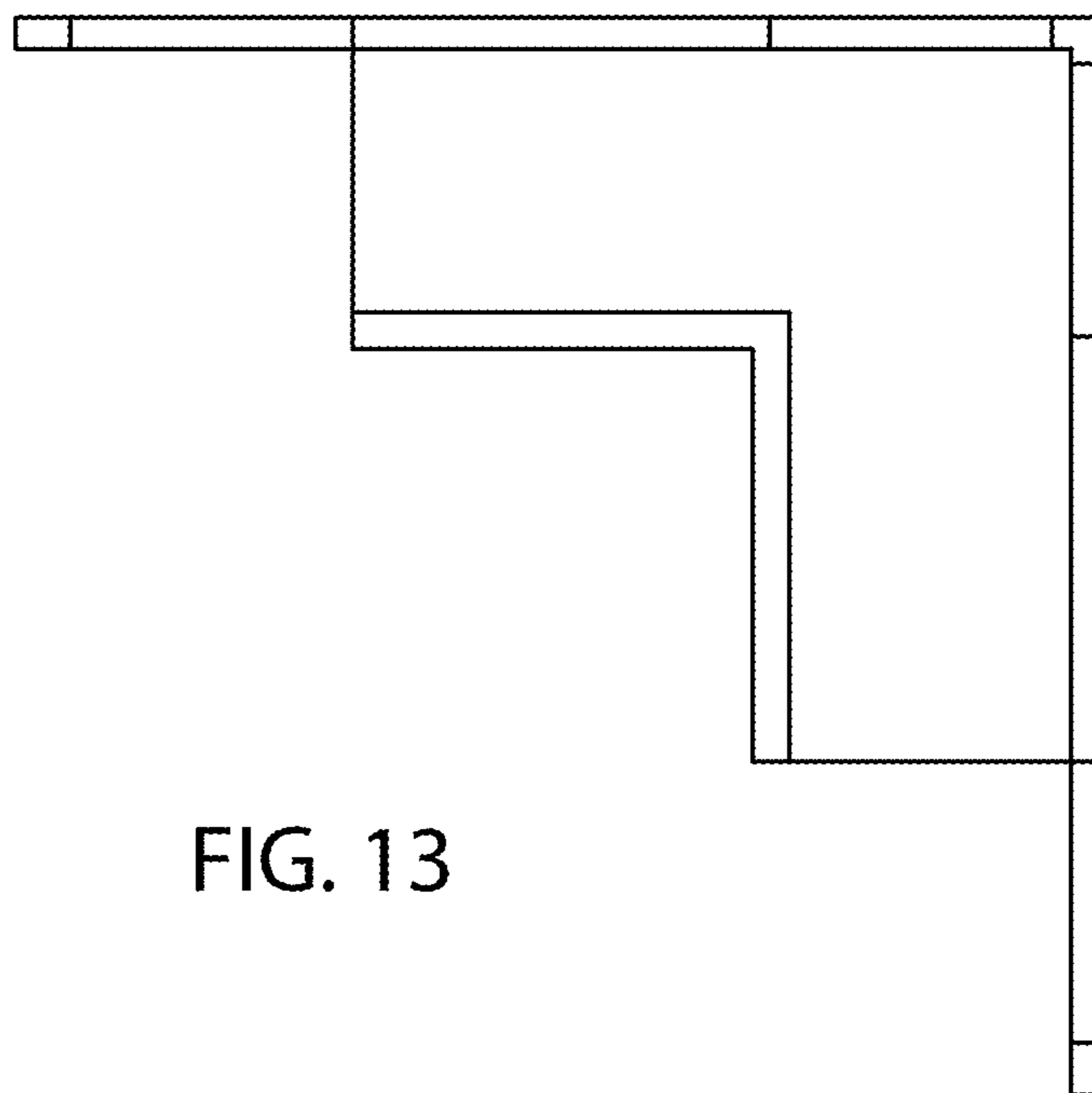


FIG. 13

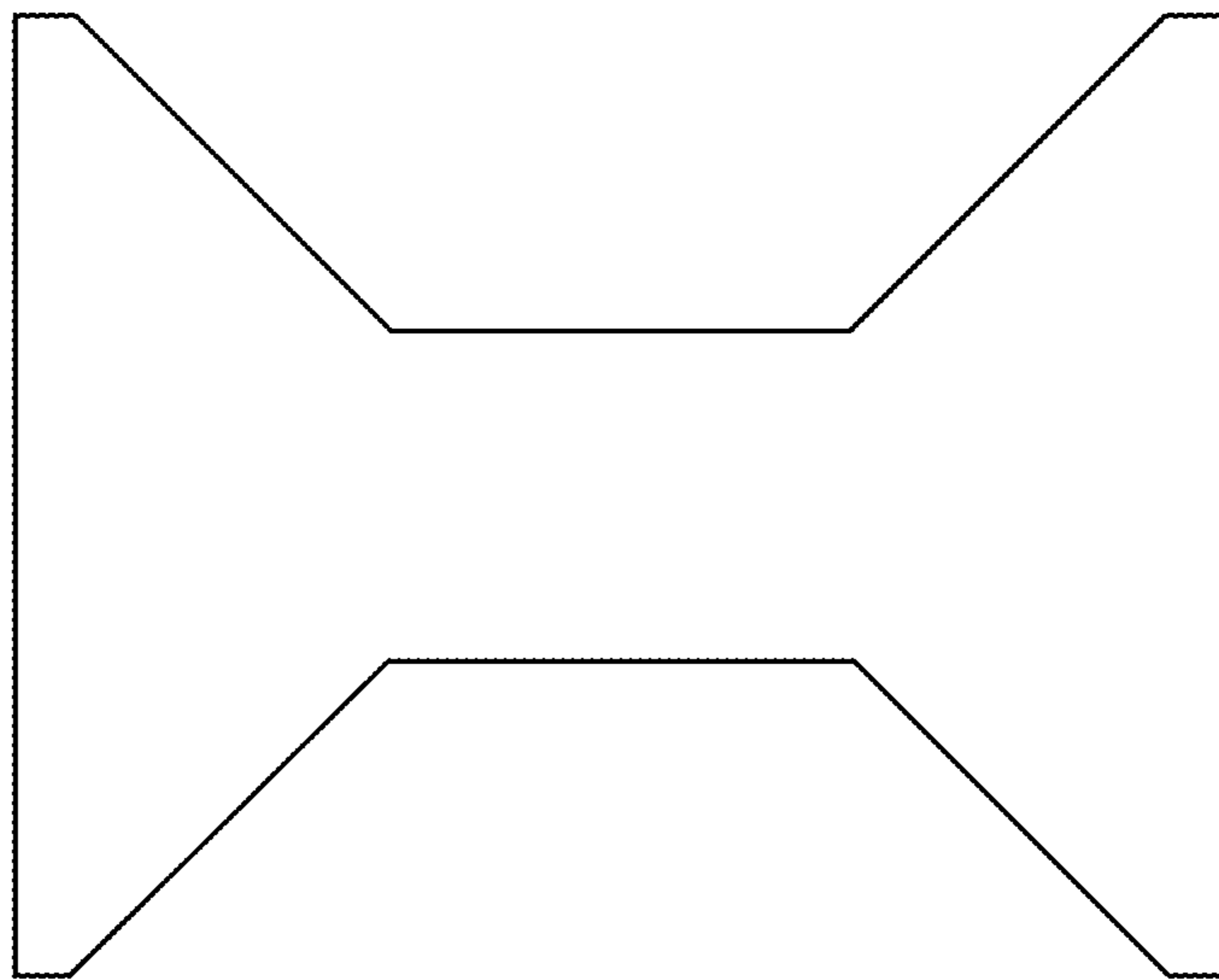


FIG. 14