



US00D775742S

(12) **United States Design Patent** (10) **Patent No.:** **US D775,742 S**
Kobelt (45) **Date of Patent:** **** Jan. 3, 2017**

- (54) **FENCEPOST CAP**
- (71) Applicant: **Jacob Kobelt**, Surrey (CA)
- (72) Inventor: **Jacob Kobelt**, Surrey (CA)
- (**) Term: **14 Years**
- (21) Appl. No.: **29/521,248**
- (22) Filed: **Mar. 20, 2015**

Related U.S. Application Data

- (63) Continuation of application No. 14/661,977, filed on Mar. 18, 2015, now abandoned.
- (51) **LOC (10) Cl.** **25-01**
- (52) **U.S. Cl.**
USPC **D25/135**
- (58) **Field of Classification Search**
USPC D25/126, 133, 135, 199, 38.1, 39, 41.1, D25/42, 43, 44; 52/3, 101, 300, 832, 843; 119/57.9; 256/1, 19, 65.01; 403/326, 329
See application file for complete search history.

(56) **References Cited**

U.S. PATENT DOCUMENTS

1,707,397 A 4/1929 Hurst
 1,918,607 A 7/1933 Lindh
 (Continued)

FOREIGN PATENT DOCUMENTS

CH 77301 9/1918
 DE 9000249 U1 3/1990
 (Continued)

OTHER PUBLICATIONS

USPTO. 2015. Final Rejection, dated Oct. 26, 2015, for U.S. Appl. No. 14/661,997, filed Mar. 18, 2015, entitled "Methods, Systems,

and Assemblies for Covering an End of a Post" (parent to instant application).

(Continued)

Primary Examiner — Thomas Johannes
Assistant Examiner — Samantha Q Lawrence
 (74) *Attorney, Agent, or Firm* — McDermott Will & Emery LLP

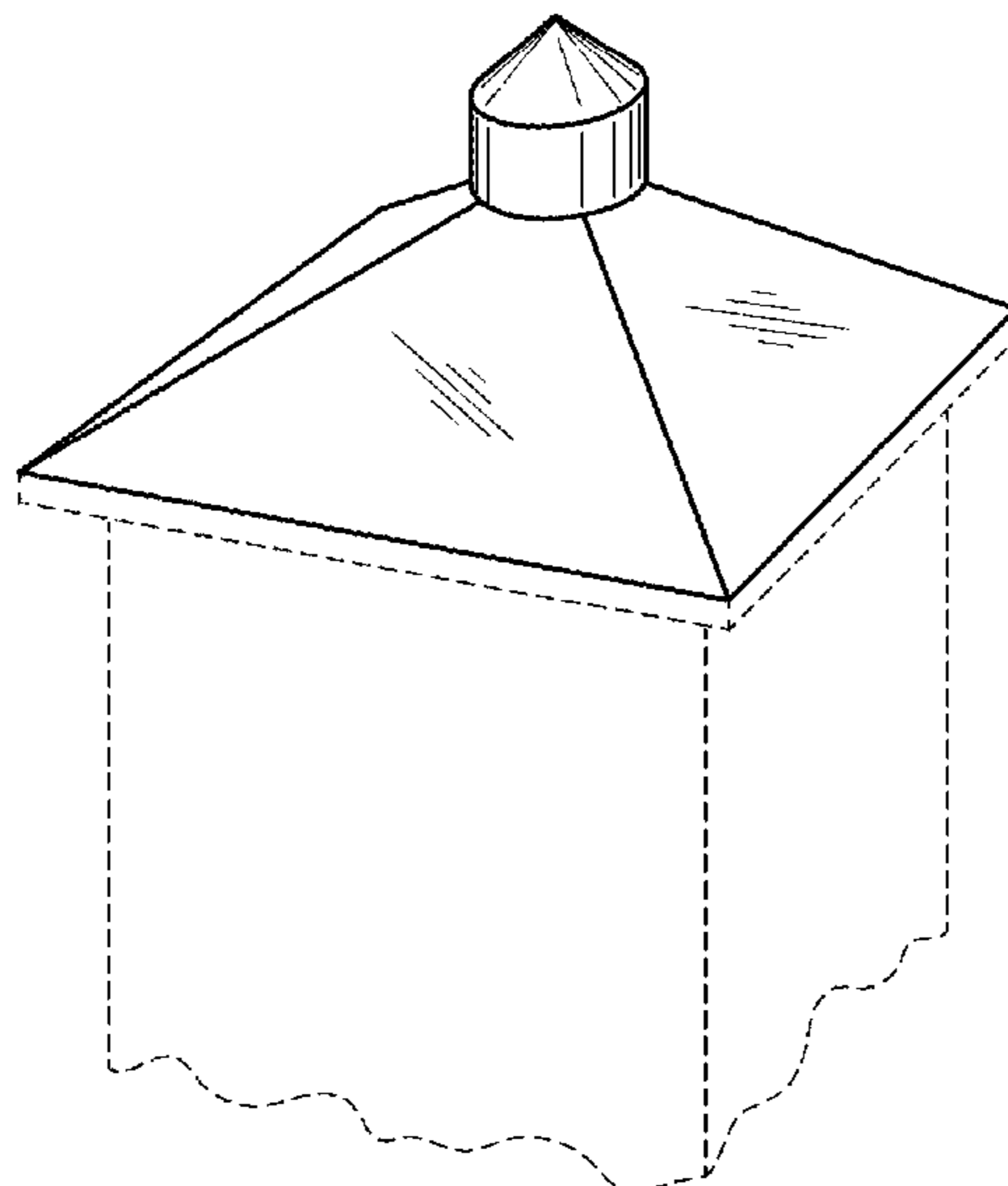
(57) **CLAIM**

The ornamental design for a fencepost cap, as shown and described.

DESCRIPTION

FIG. 1 is a perspective view of a fencepost cap according to an embodiment of the claimed design;
 FIG. 2 is a front elevational view of the fencepost cap of FIG. 1, the right side elevational view, the left side elevational view, and the rear elevational view being identical to the front elevational view;
 FIG. 3 is a top plan view of the fencepost cap of FIG. 1;
 FIG. 4 is a bottom plan view of the fencepost cap of FIG. 1;
 FIG. 5 is a perspective view of a fencepost cap according to an alternative embodiment of the claimed design;
 FIG. 6 is a front elevational view of the fencepost cap of FIG. 5, the right side elevational view, the left side elevational view, and the rear elevational view being identical to the front elevational view;
 FIG. 7 is a top plan view of the fencepost cap of FIG. 5; and,
 FIG. 8 is a bottom plan view of the fencepost cap of FIG. 5.
 The shading lines shown in the drawings represent the approximate three-dimensional contour of the design, and are not intended to indicate surface decoration.
 The broken lines shown in FIGS. 1, 2, 4-6 and 8 illustrate portions of the fencepost cap that form no part of the claimed design.

1 Claim, 4 Drawing Sheets



(56)

References Cited

U.S. PATENT DOCUMENTS

2,998,110 A 8/1961 Hutzelman
 5,419,536 A 5/1995 Bender
 5,421,556 A * 6/1995 Dodge E04H 17/20
 256/1
 5,853,167 A 12/1998 West et al.
 6,138,422 A 10/2000 Wall et al.
 D434,001 S * 11/2000 Sayger D13/139.5
 D435,309 S * 12/2000 Landefeld D26/68
 D451,614 S * 12/2001 Merrick D25/135
 D453,583 S * 2/2002 Shimada D26/154
 D465,036 S * 10/2002 Spruill D25/135
 6,585,398 B1 7/2003 Haddad
 6,662,515 B2 * 12/2003 Buhrts E04H 17/20
 256/1
 6,688,583 B2 * 2/2004 Merrick E04H 17/20
 256/1
 6,722,637 B2 * 4/2004 Burkart E04H 17/20
 256/1
 6,804,921 B2 * 10/2004 Neylon E04H 17/20
 116/173
 6,874,766 B2 * 4/2005 Curatolo E04F 11/1817
 256/59
 D507,359 S * 7/2005 Steffes D25/135
 D509,603 S 9/2005 Rosian
 D509,915 S * 9/2005 Rosian D25/135
 7,021,016 B2 * 4/2006 Steffes E04H 17/20
 256/1
 7,204,898 B2 * 4/2007 Fattori B29C 65/08
 156/293
 D624,227 S * 9/2010 Grant D25/135
 D670,405 S * 11/2012 McKenzie D25/135

8,668,797 B2 * 3/2014 Fattori B29C 65/08
 156/293
 8,844,907 B1 9/2014 Davis et al.
 D723,189 S * 2/2015 Knudsen D25/135
 D726,343 S * 4/2015 Knudsen D25/135
 2002/0043036 A1 4/2002 Nesbitt
 2002/0125468 A1 * 9/2002 Fischer E04H 17/20
 256/19
 2003/0122115 A1 7/2003 Ernst et al.
 2003/0168649 A1 9/2003 Weese
 2005/0035339 A1 2/2005 Steffes
 2015/0014619 A1 1/2015 Davis et al.

FOREIGN PATENT DOCUMENTS

DE 20011127 U1 9/2000
 EP 1 253 265 A2 10/2002

OTHER PUBLICATIONS

USPTO. 2015. Non-Final Rejection, dated May 1, 2015, for U.S. Appl. No. 14/661,997, filed Mar. 18, 2015, entitled "Methods, Systems, and Assemblies for Covering an End of a Post" (parent to instant application).
 USPTO. 2016. Non-final Rejection, dated Jun. 23, 2016, for U.S. Appl. No. 15/070,540, filed Mar. 15, 2016, antititled "Methods, Systems, and Assemblies for Covering an End of a Post" (continuation of parent to instant application).
 EPO. 2016. Extended European Search Report dated Aug. 8, 2016, European Application No. 16160641.3-1604, European counterpart to instant application.

* cited by examiner

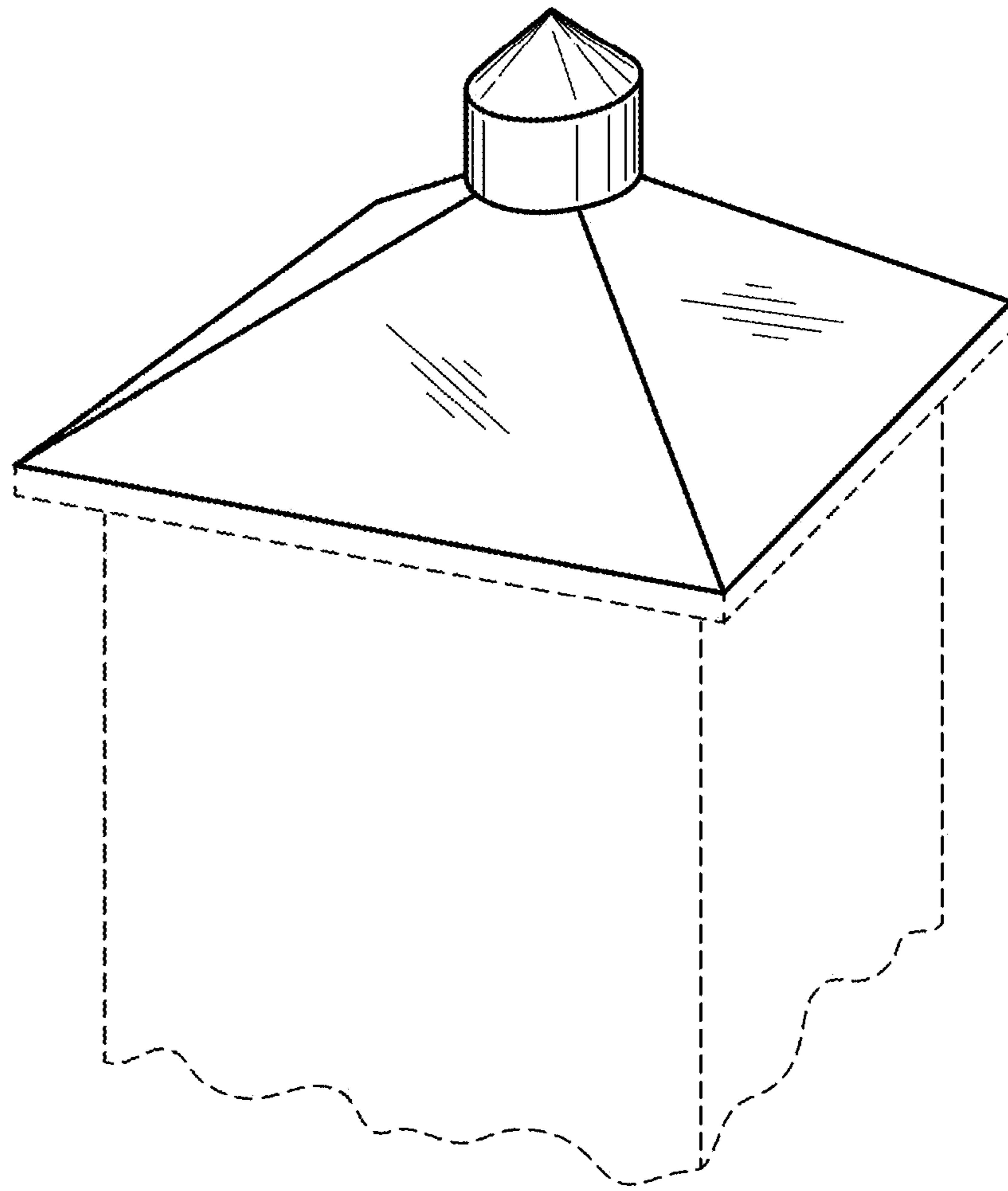


FIG. 1

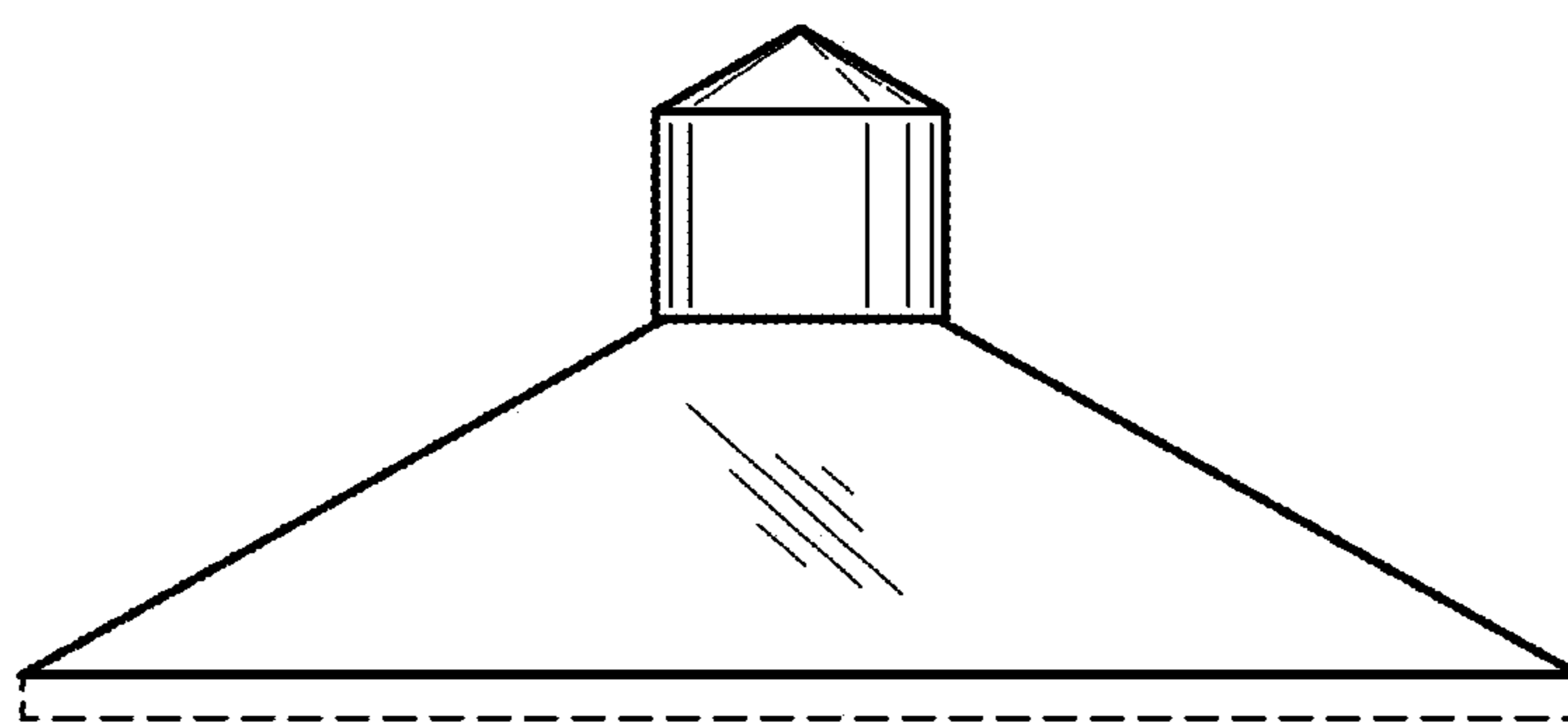


FIG. 2

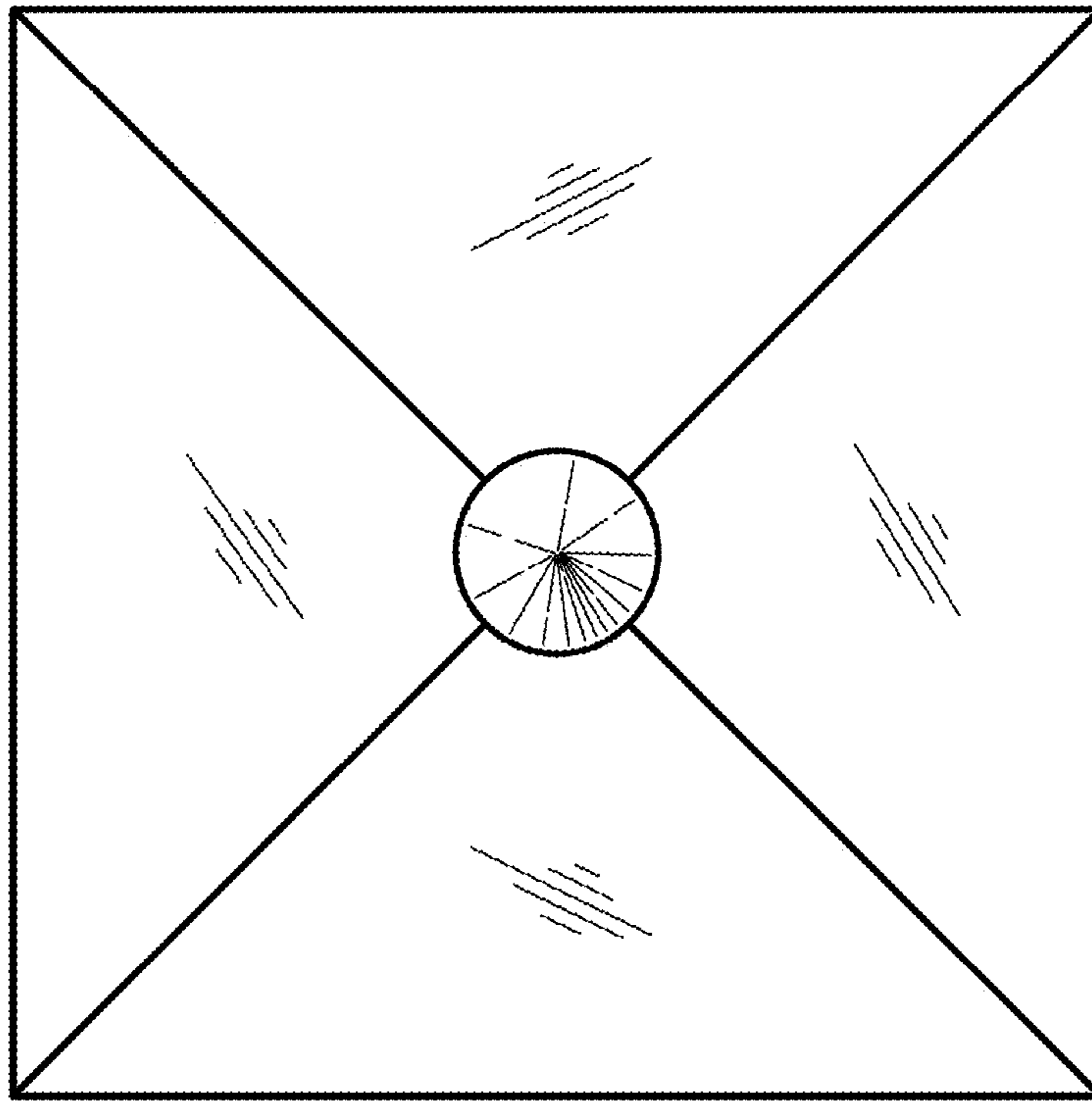


FIG. 3

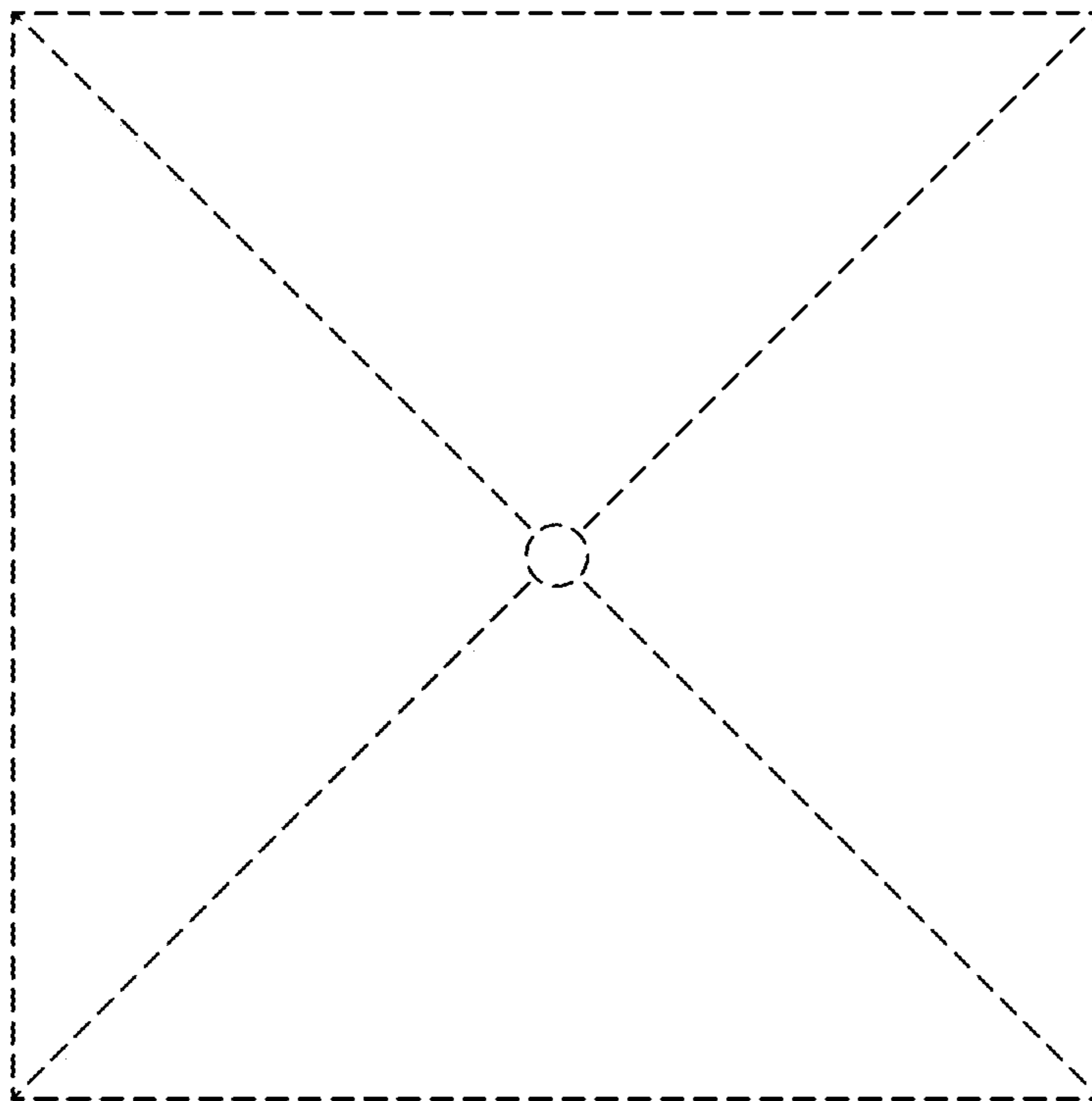


FIG. 4

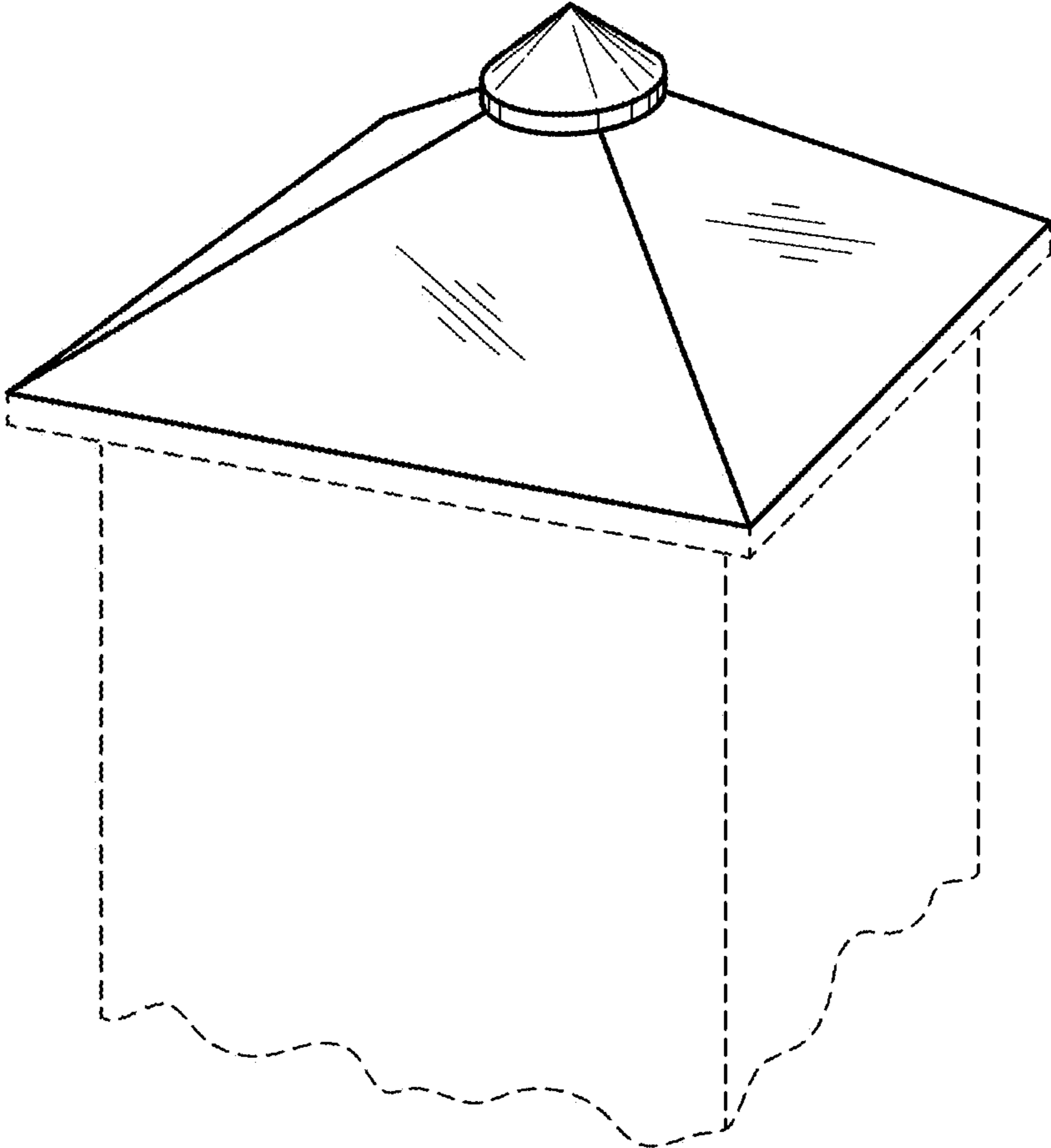


FIG. 5

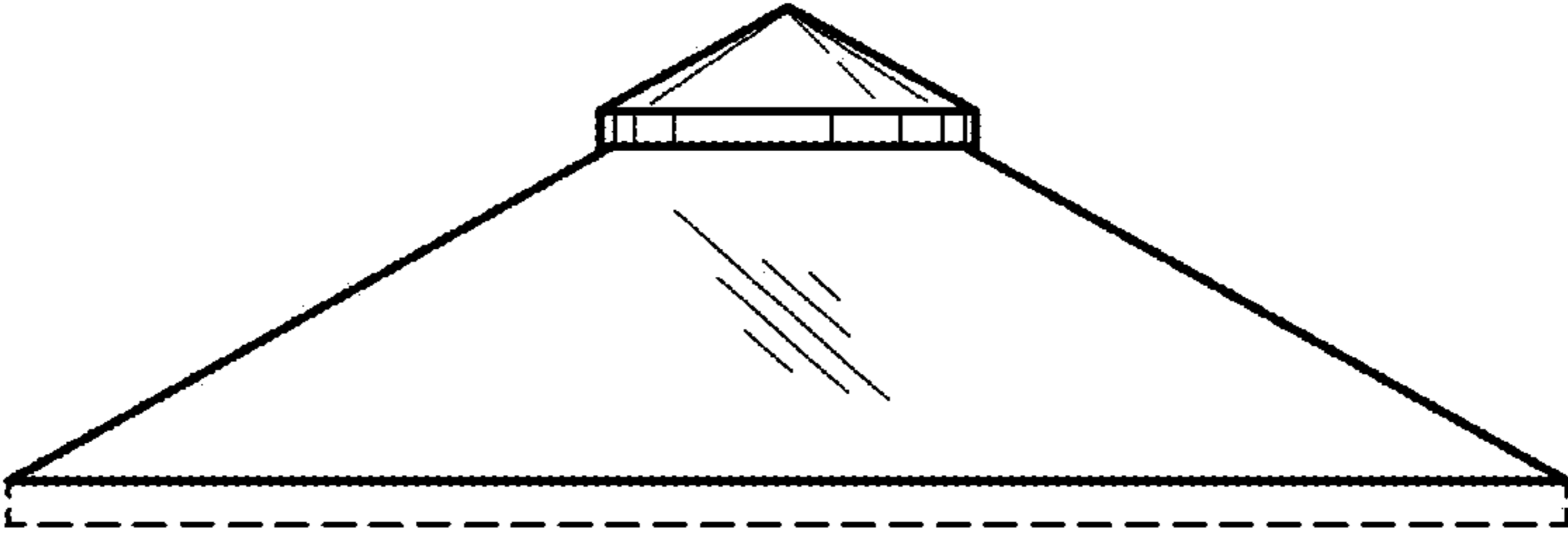


FIG. 6

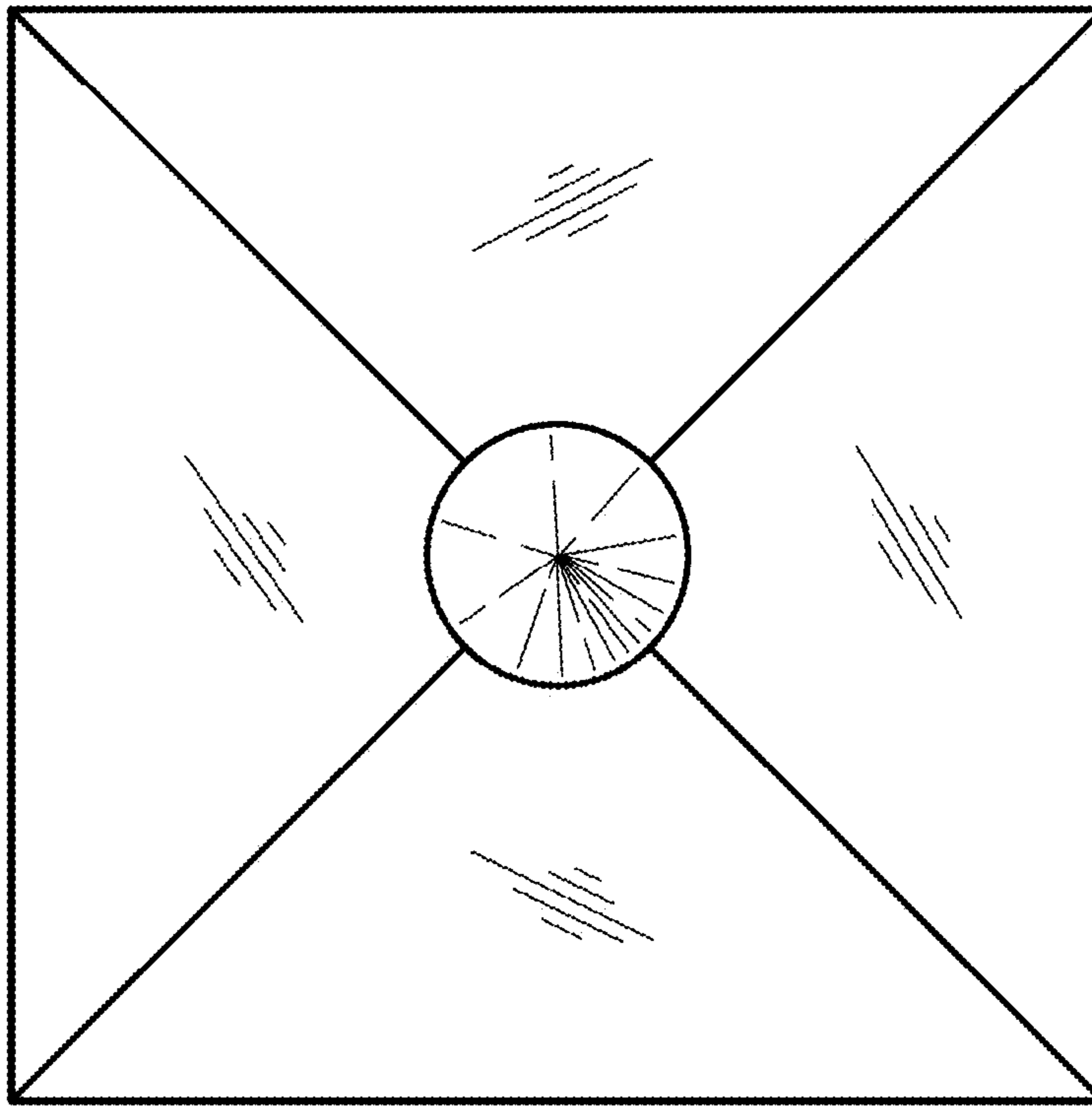


FIG. 7

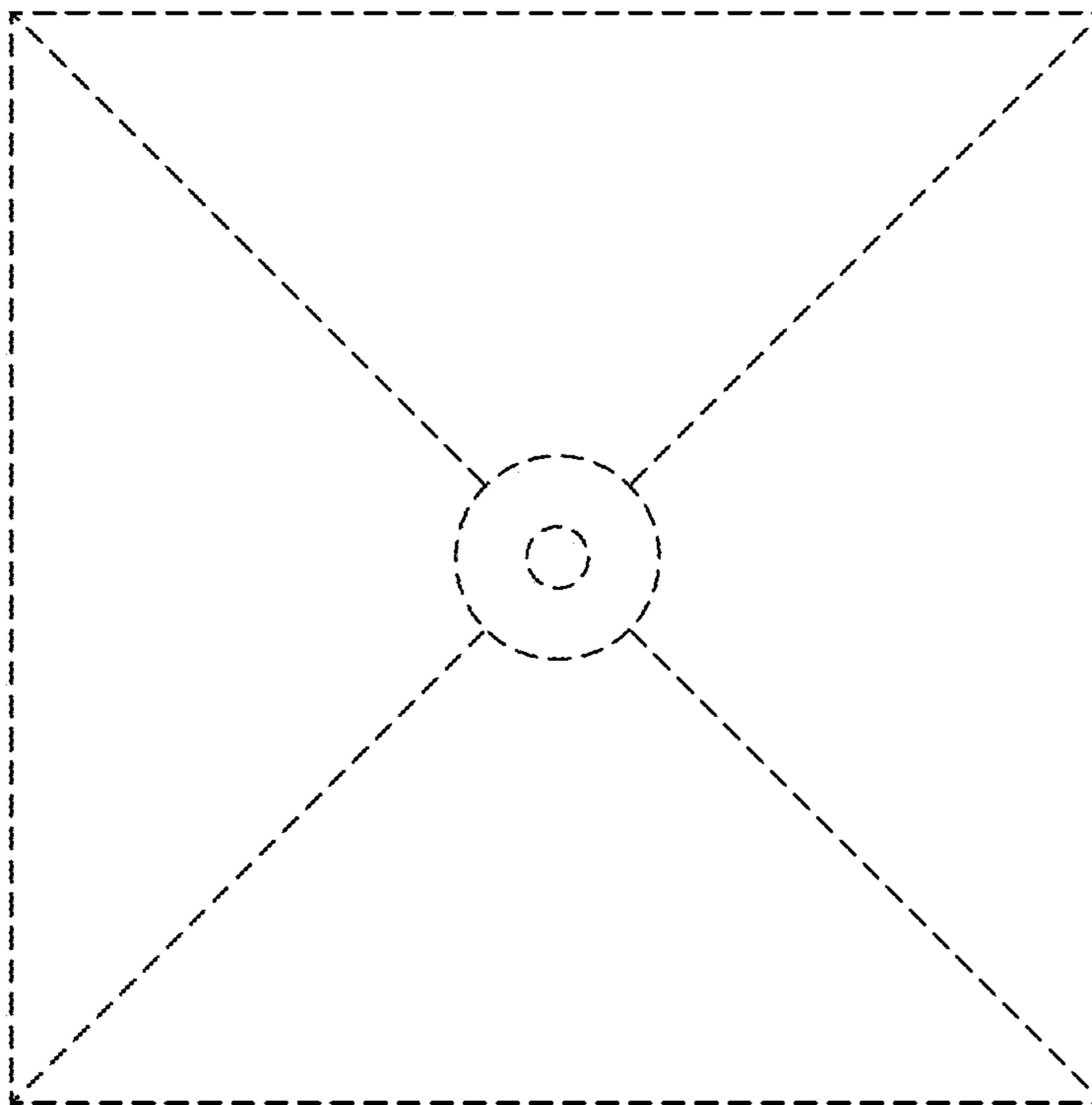


FIG. 8