



US00D775741S

(12) **United States Design Patent** (10) **Patent No.:** **US D775,741 S**
Kashiwagi et al. (45) **Date of Patent:** **** Jan. 3, 2017**

(54) **STRUCTURAL POST**

(71) Applicant: **SUS Corporation**, Shizuoka-shi (JP)

(72) Inventors: **Eiji Kashiwagi**, Kikugawa (JP);
Takahiro Hida, Kikugawa (JP)

(73) Assignee: **SUS CORPORATION**, Shizuoka-Shi,
Shizuoka (JP)

(**) Term: **14 Years**

(21) Appl. No.: **29/499,205**

(22) Filed: **Aug. 12, 2014**

(30) **Foreign Application Priority Data**

Feb. 17, 2014 (JP) 2014-003094

(51) **LOC (10) Cl.** **25-01**

(52) **U.S. Cl.**
USPC **D25/126**

(58) **Field of Classification Search**
USPC D25/106, 111, 115, 117, 119, 120, 122,
D25/124, 125, 126, 133, 141, 155, 158;
52/478, 537, 235, 309.14, 518, 535,
52/204.1, 204.2, 206, 204.62, 204.7,
52/656.2, 656.6, 79.1, 79.9, 832; 49/504;
D11/121, 130; 428/7-9, 428/11
See application file for complete search history.

(56) **References Cited**

U.S. PATENT DOCUMENTS

- 3,411,305 A * 11/1968 Cella E02D 5/04
403/389
- D324,645 S * 3/1992 Magro D25/122
- D353,473 S * 12/1994 Laffler D25/125
- D360,039 S * 7/1995 Stagl D25/122
- D408,560 S * 4/1999 Bruder D25/122
- D415,574 S * 10/1999 Shrira D25/122
- D415,847 S * 10/1999 Schaefer D25/126
- D473,663 S * 4/2003 Chou D25/122
- D504,183 S * 4/2005 McCracken D25/126

- D639,144 S * 6/2011 Schaefer D25/122
- D697,231 S * 1/2014 Ono D25/126
- D745,299 S * 12/2015 Chang D25/124

* cited by examiner

Primary Examiner — Ian Simmons

Assistant Examiner — Samantha Q Lawrence

(74) *Attorney, Agent, or Firm* — McGinn IP Law Group,
PLLC

(57) **CLAIM**

The ornamental design for a structural post, as shown and described.

DESCRIPTION

FIG. 1 is a front view of a structural post as showing our new design;

FIG. 2 is a rear elevational view thereof;

FIG. 3 is a right side elevational view thereof;

FIG. 4 is a left side elevational view thereof;

FIG. 5 is a top plan view thereof;

FIG. 6 is a bottom view thereof;

FIG. 7 is a cross-sectional view of the structural post shown in FIG. 1 taken along line 7-7;

FIG. 8 is a cross-sectional view of the structural post shown in FIG. 5 taken along line 8-8;

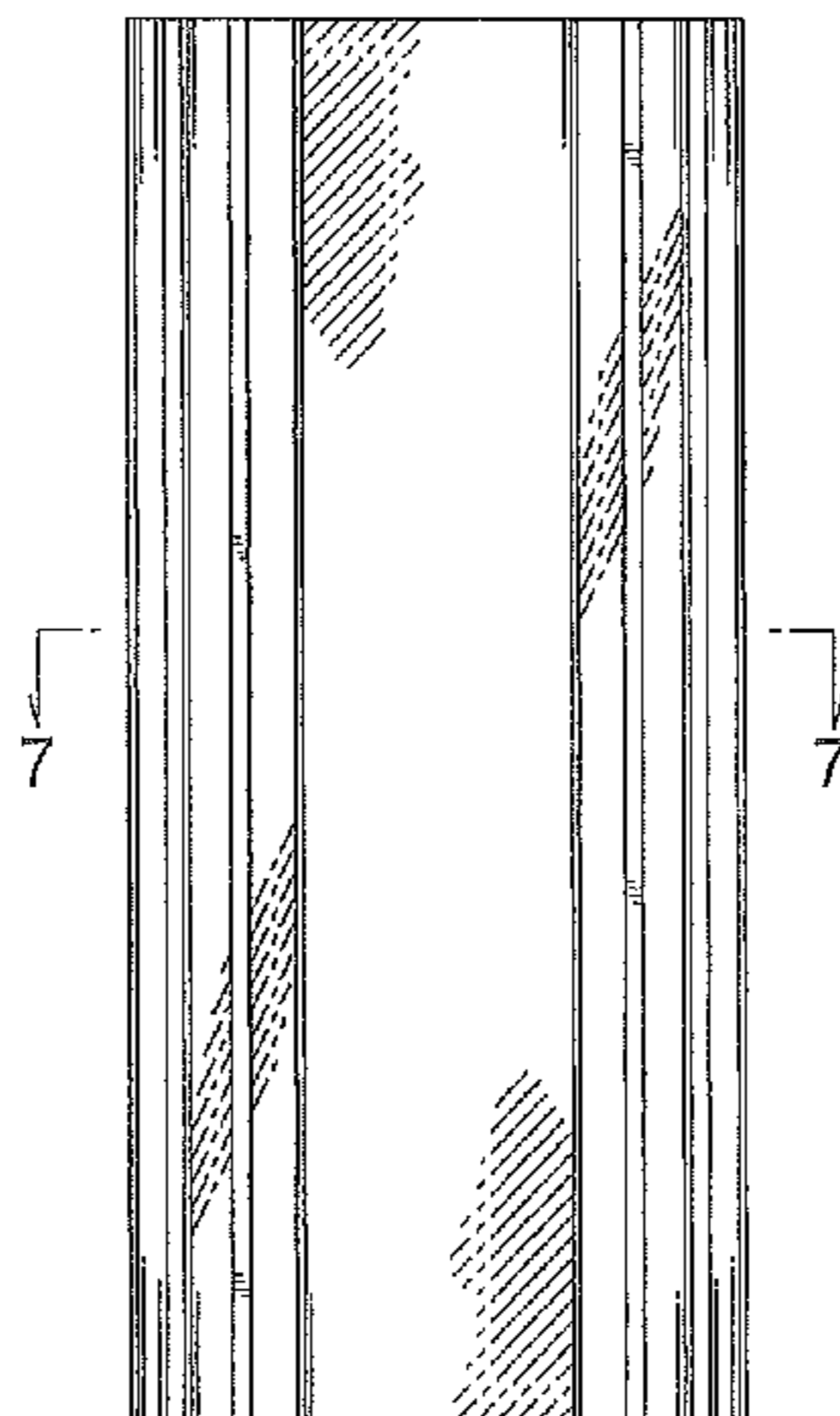
FIG. 9 is a cross-sectional view of the structural post shown in FIG. 5 taken along line 9-9;

FIG. 10 is a perspective view thereof; and,

FIG. 11 is a perspective view showing the structural post in an environment of use, wherein the structural post is connected to a structural members via metal fittings. Both the structural members and metal fittings shown in broken lines illustrate environmental subject matter and form no part of the claimed design.

The present design repeats only in the upward/downward direction of the front view. The broken lines in the drawings show environmental subject matter only and form no part of the claimed design.

1 Claim, 11 Drawing Sheets



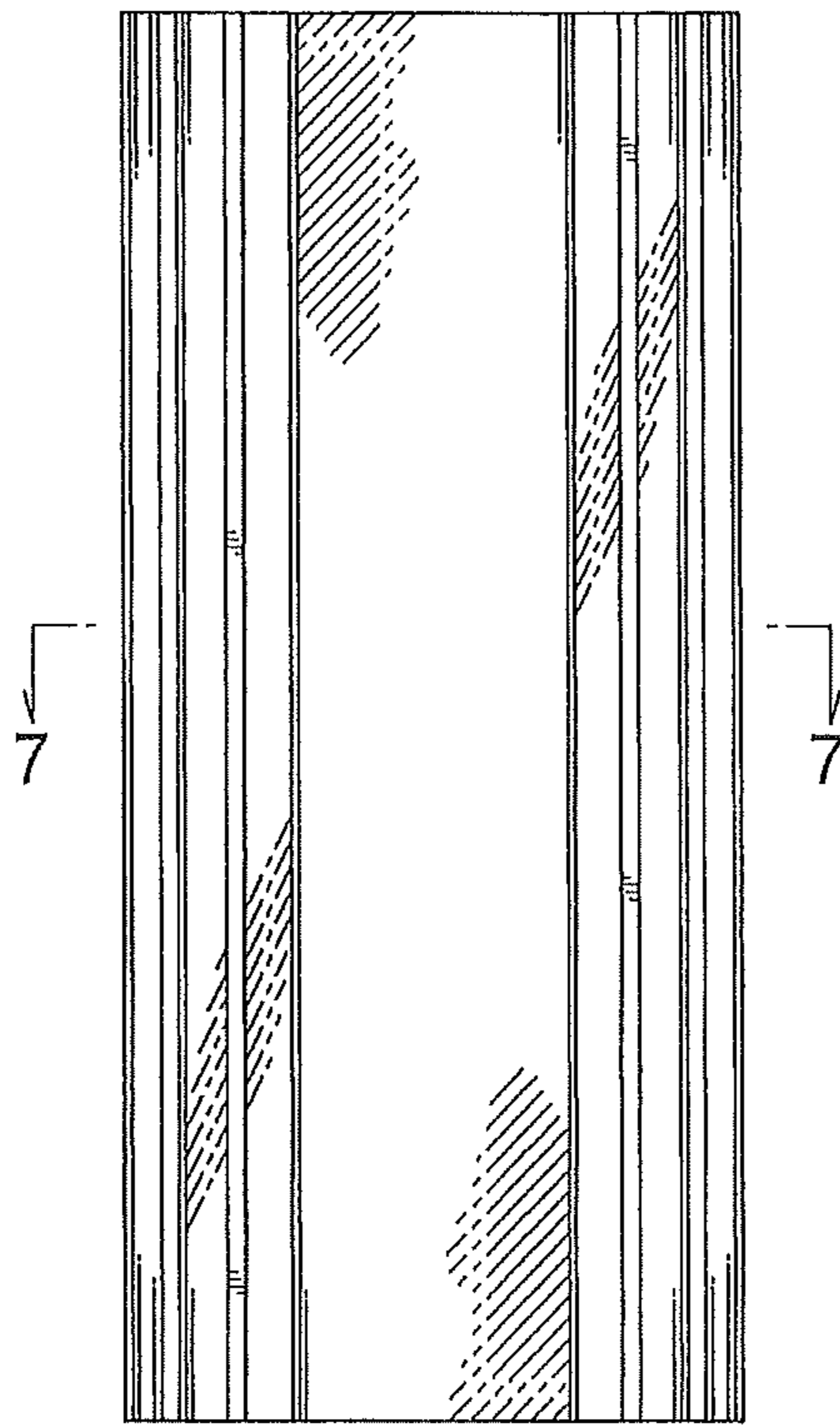


FIG. 1

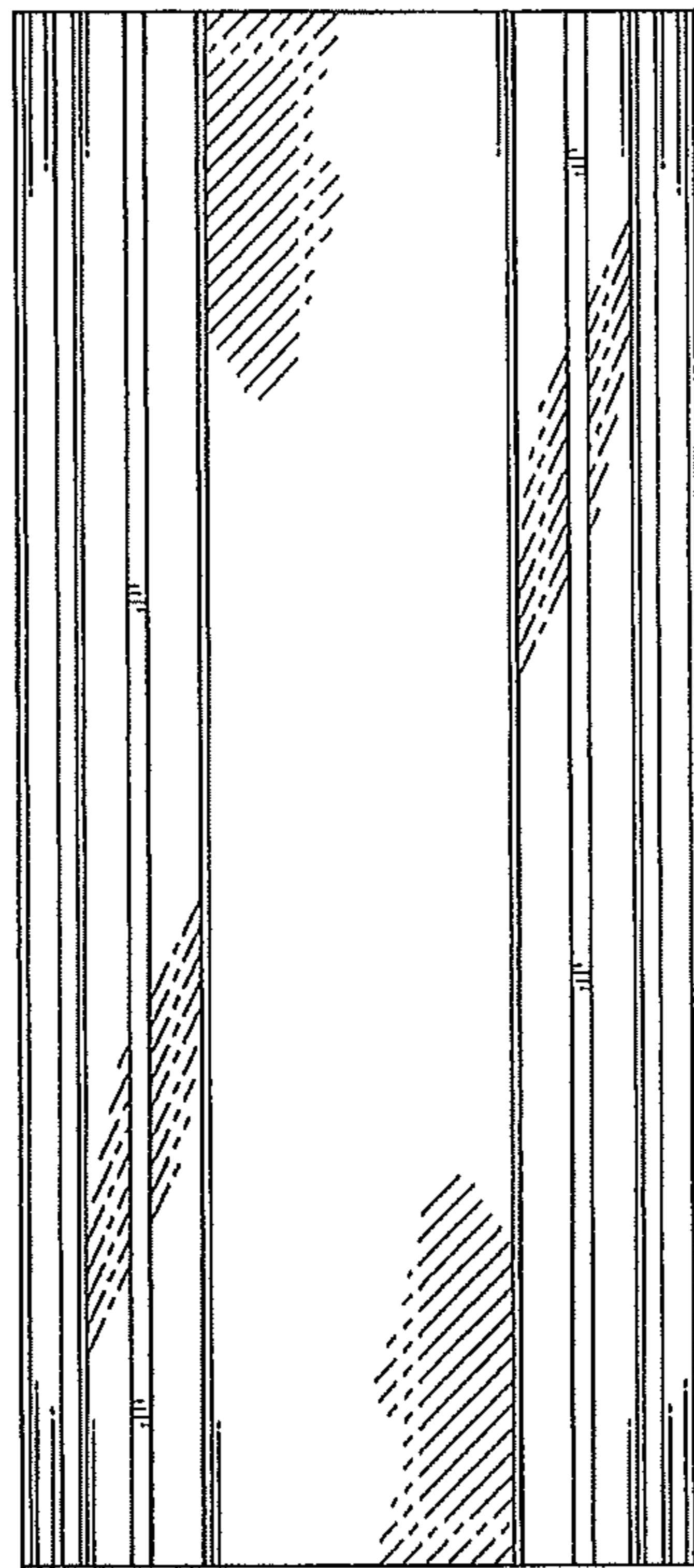


FIG.2

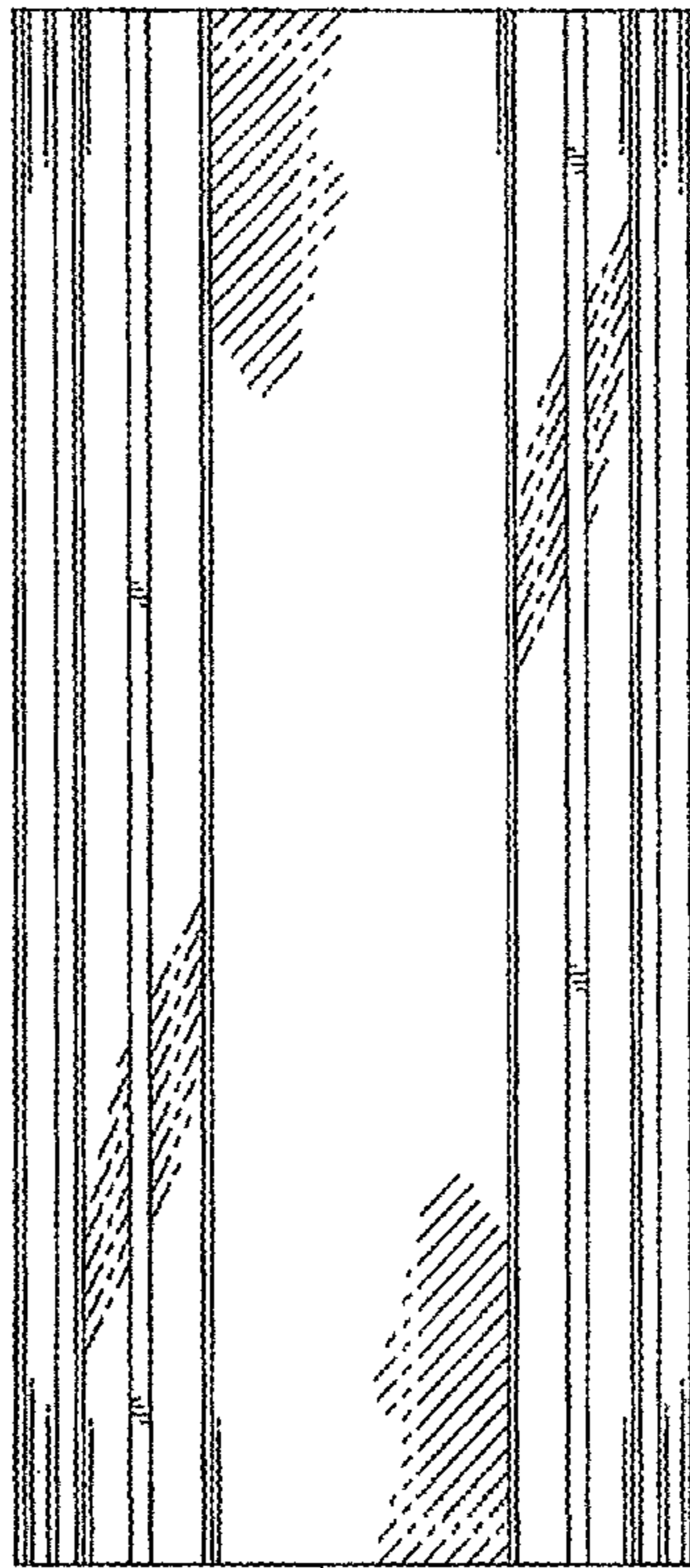


FIG.3

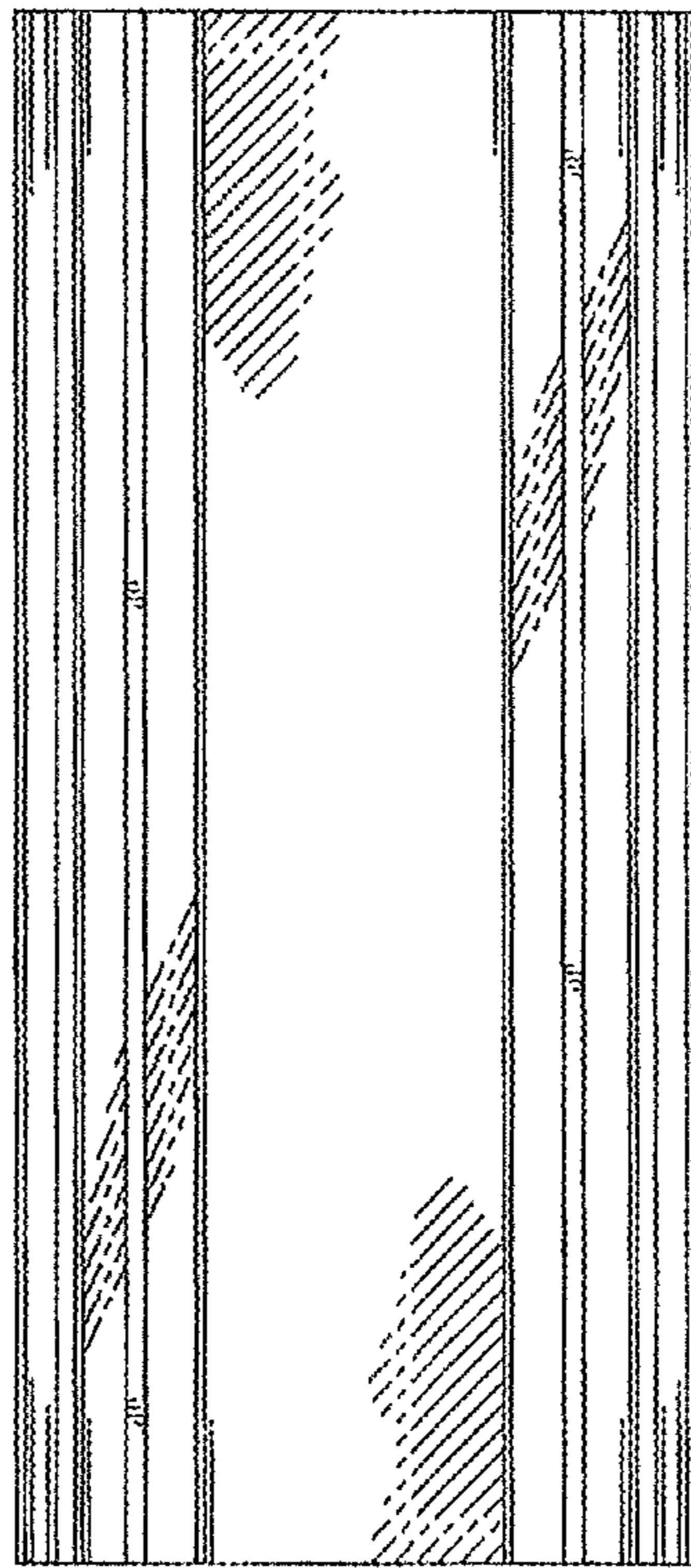


FIG.4

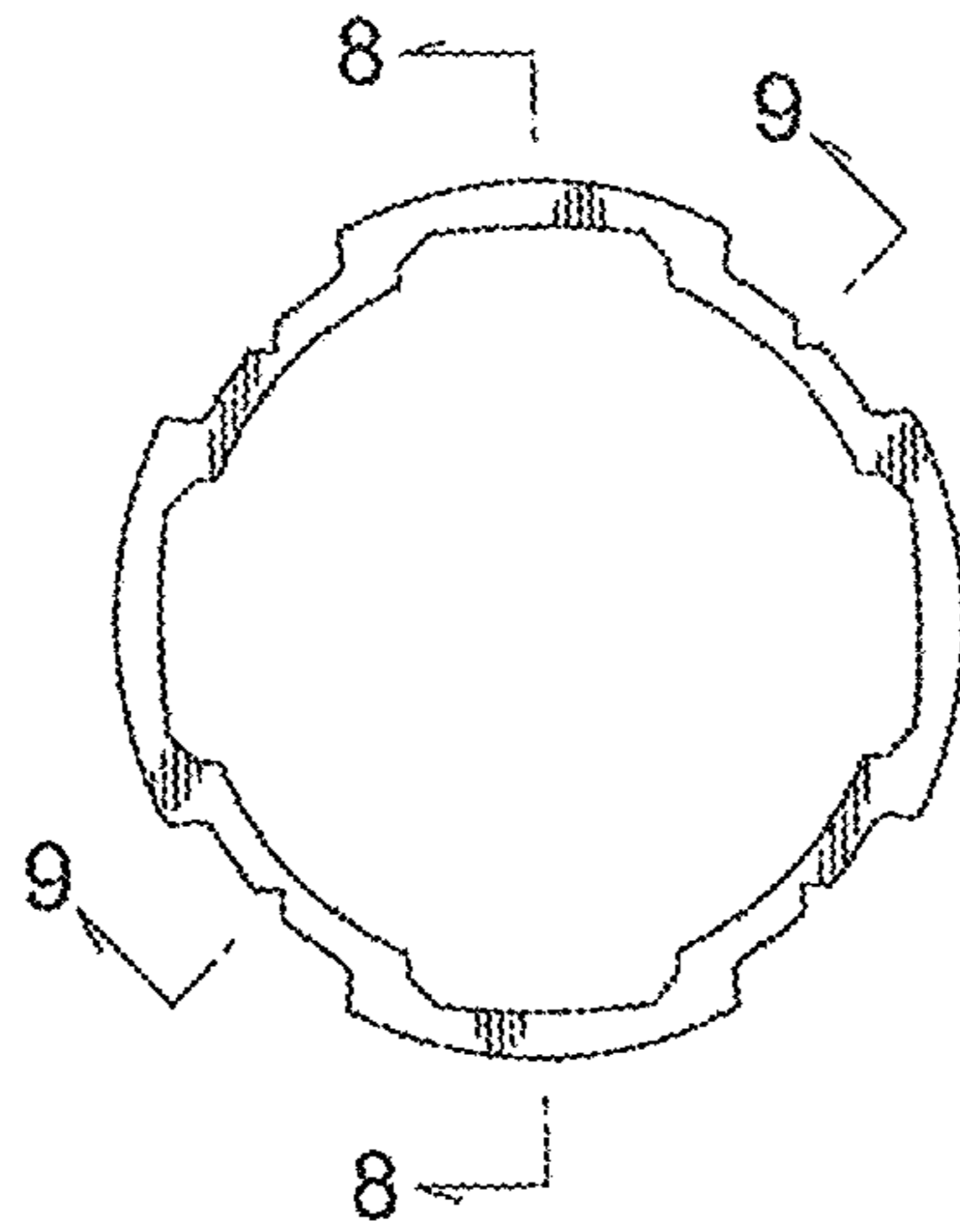


FIG.5

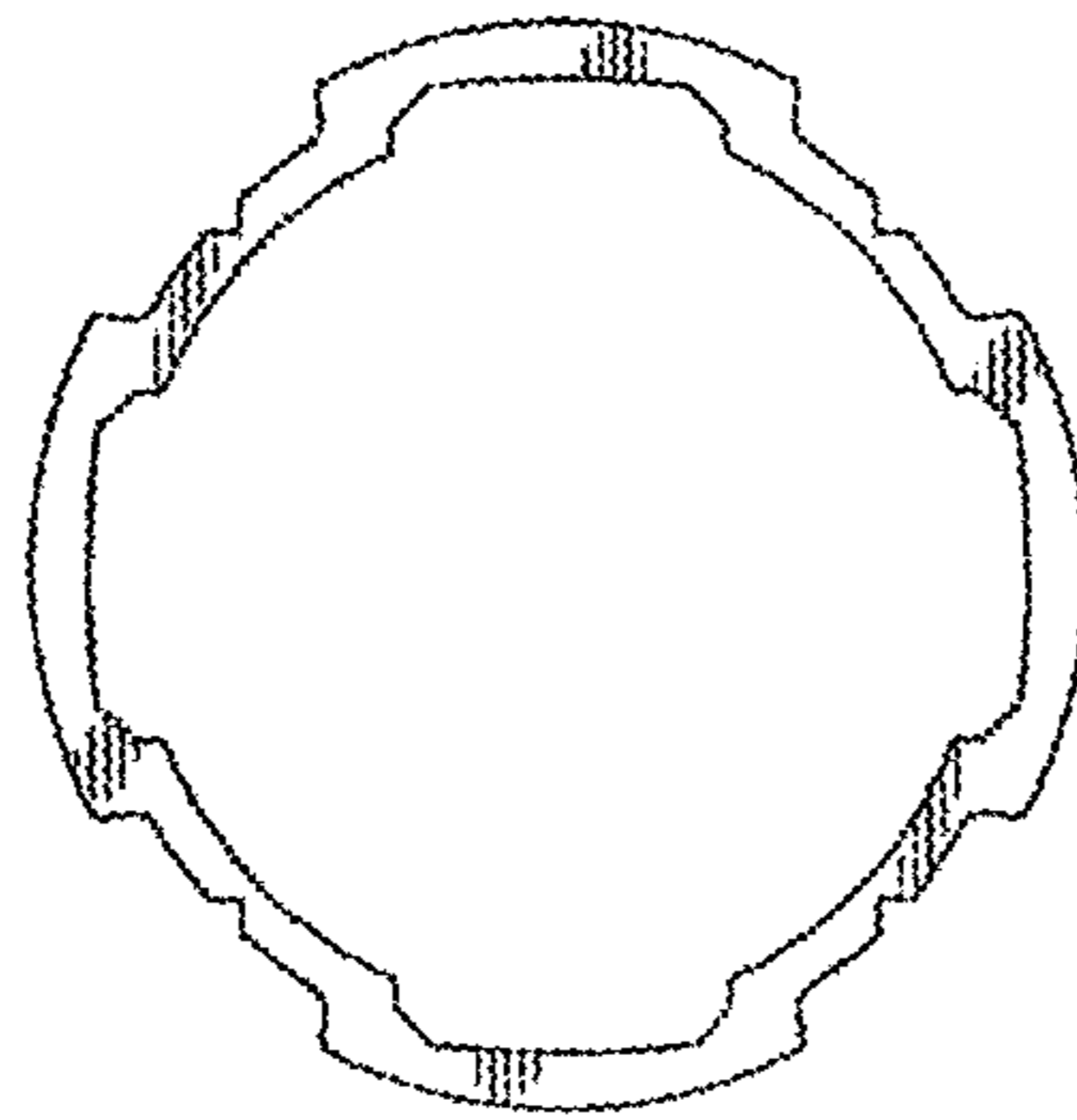


FIG. 6

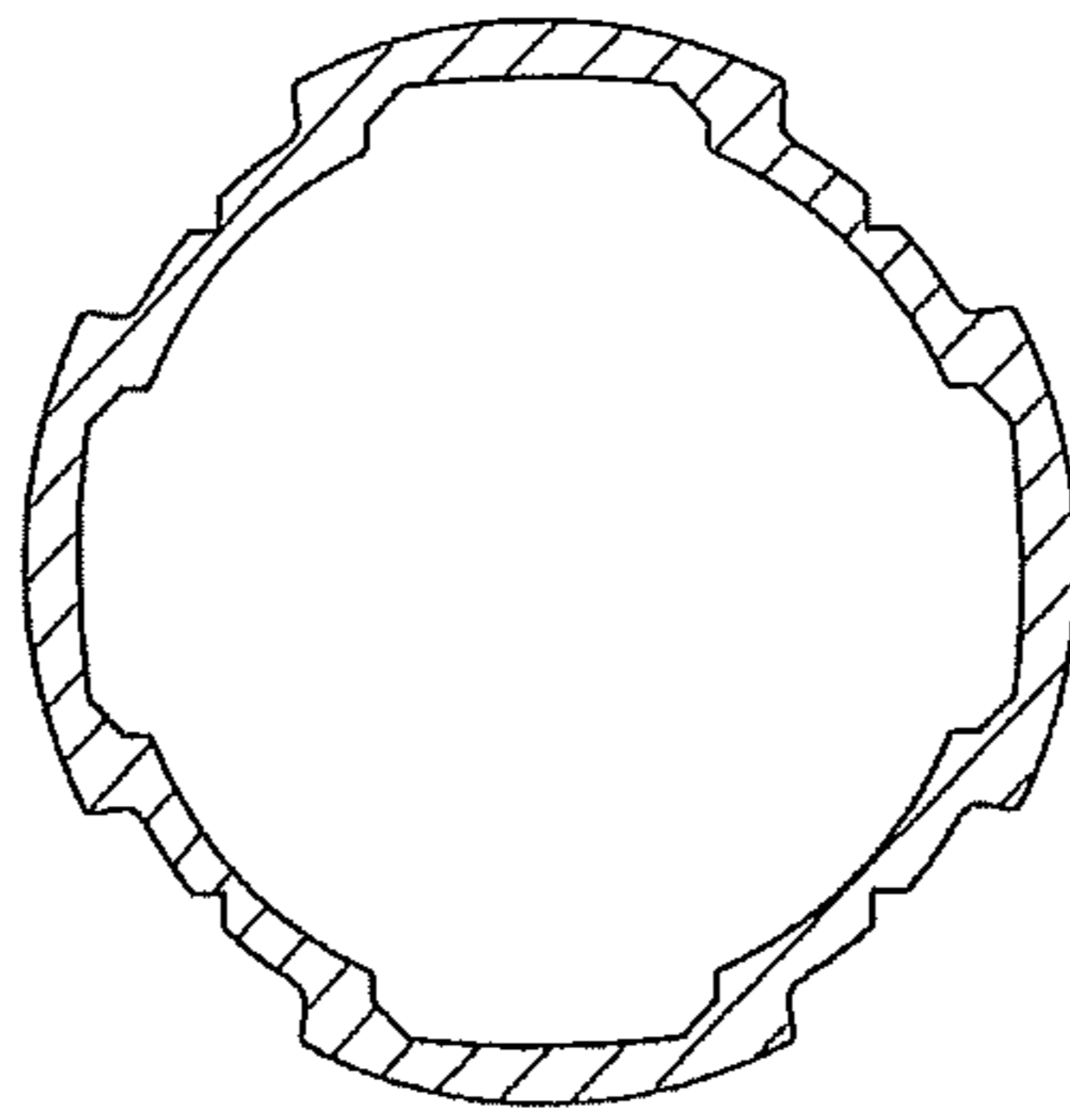


FIG.7

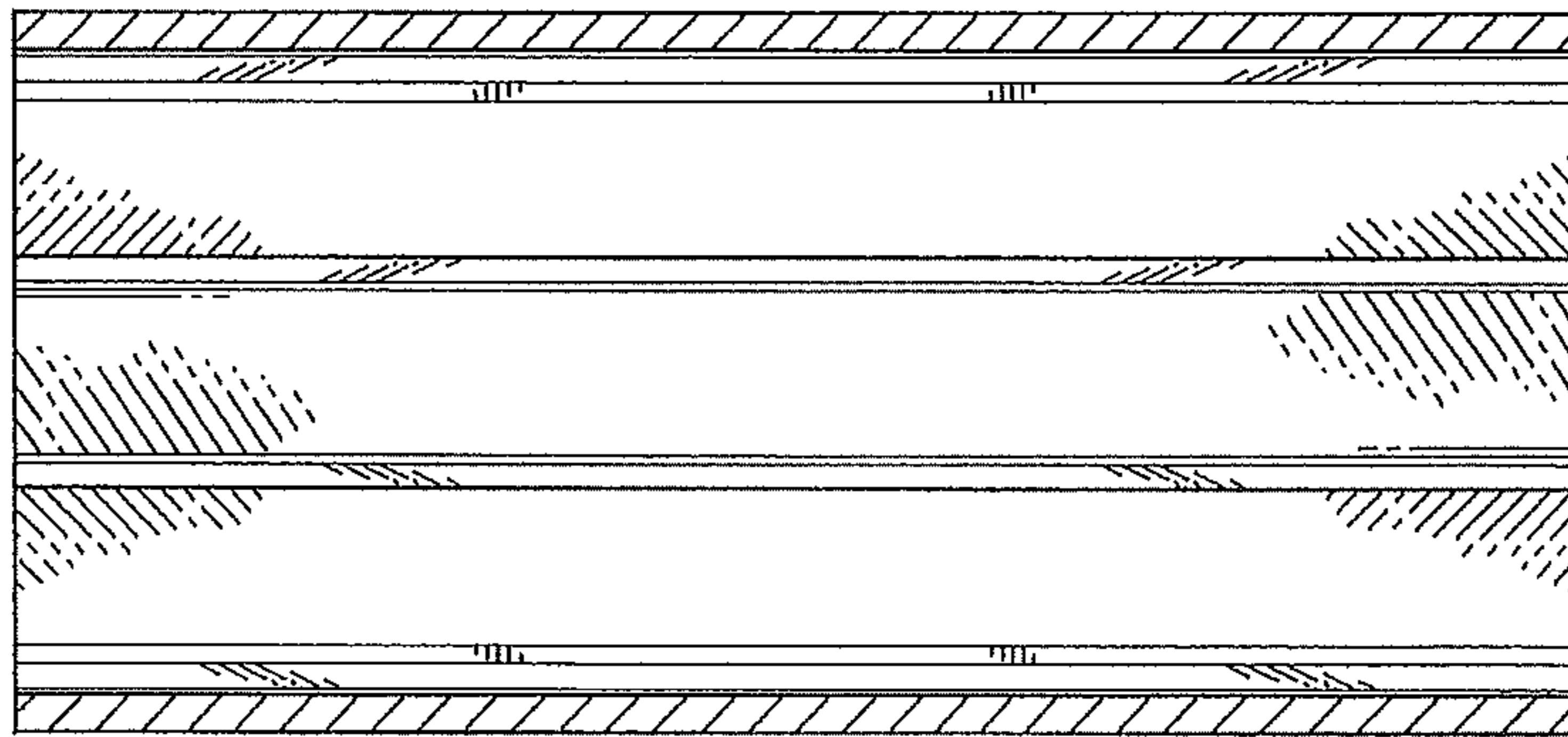


FIG.8

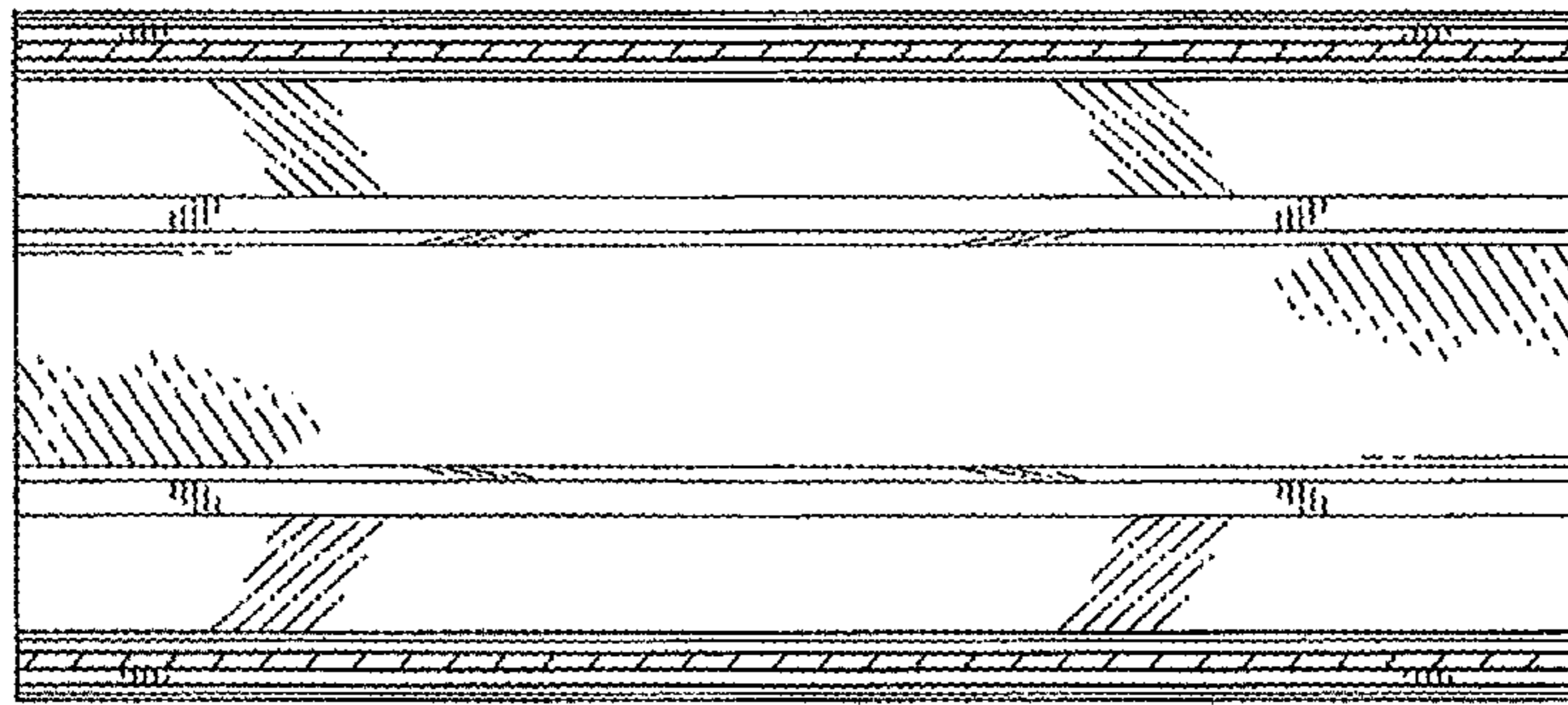


FIG.9

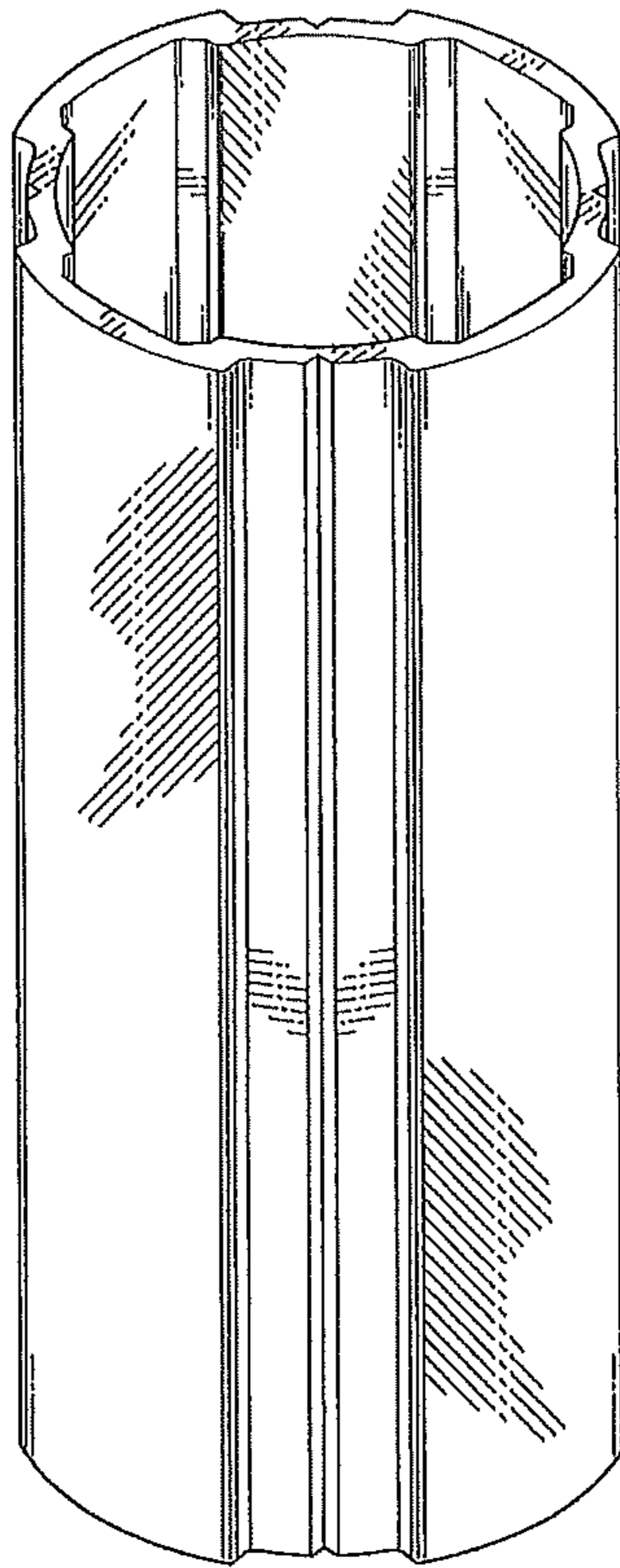


FIG.10

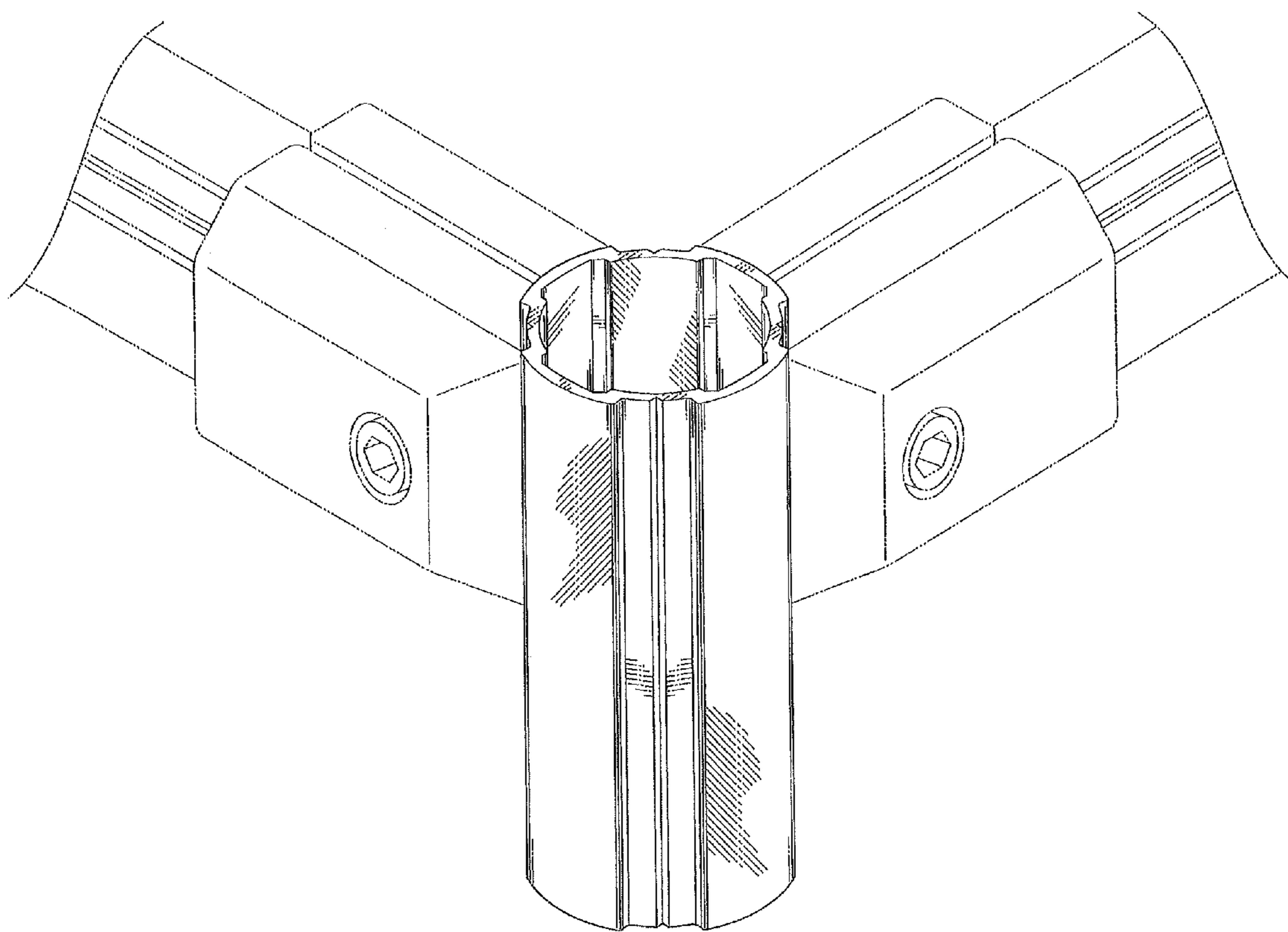


FIG.11