



US00D775740S

(12) **United States Design Patent**
Wickland et al.

(10) **Patent No.:** **US D775,740 S**
(45) **Date of Patent:** **** Jan. 3, 2017**

(54) **WINDOW COMPONENT EXTRUSION**

(71) Applicant: **Mikron Industries, Inc.**, Kent, WA
(US)

(72) Inventors: **Timothy T. Wickland**, Auburn, WA
(US); **Martin S. Kosonen**, Seattle, WA
(US)

(73) Assignee: **Mikron Industries, Inc.**, Kent, WA
(US)

(**) Term: **15 Years**

(21) Appl. No.: **29/527,787**

(22) Filed: **May 21, 2015**

(51) **LOC (10) Cl.** **25-01**

(52) **U.S. Cl.**
USPC **D25/124**

(58) **Field of Classification Search**
USPC D25/44, 48.7, 60, 119–125, 136–137;
52/204.1, 204.2, 204.5, 204.51, 204.55,
52/204.61, 204.62, 204.69, 204.7, 204.72,
52/206, 208, 209, 212, 213, 215, 579,
52/656.2, 656.4, 656.5, 656.6, 656.7,
52/800.13, 717.01, 793.1, 794.1; D20/42,
43, 44; D34/35
CPC E06B 1/02; E06B 1/04; E06B 1/16;
E06B 1/36; E06B 1/52; E06B
3/305; E06B 3/22; E06B 3/222; E06B
3/24; E06B 2003/66385
See application file for complete search history.

(56) **References Cited**

U.S. PATENT DOCUMENTS

D338,973 S *	8/1993	Cole	D25/124
D379,529 S *	5/1997	DiGiorgio	D25/124
D495,808 S *	9/2004	Habeck	D25/119
D537,539 S	2/2007	Franson		
D591,434 S *	4/2009	Campbell	D25/124
D592,763 S *	5/2009	Campbell	D25/124
D597,221 S *	7/2009	Campbell	D25/124
D600,361 S *	9/2009	Campbell	D25/124

D602,174 S *	10/2009	Franson	D25/124
D603,532 S *	11/2009	Lockbeam	D25/124
D608,465 S *	1/2010	Franson	D25/124
D691,739 S *	10/2013	Wickland	D25/124
D693,486 S	11/2013	Wickland		
D693,492 S *	11/2013	Wickland	D25/124
D713,058 S *	9/2014	Kosonen	D25/124
D713,555 S *	9/2014	Stankay	D25/124
D714,468 S *	9/2014	Fannan	D25/124
D718,878 S *	12/2014	Fannan	D25/119
D720,084 S *	12/2014	Wickland	D25/124
D720,085 S *	12/2014	Wickland	D25/124
D724,762 S *	3/2015	Decicio	D25/124
D724,764 S	3/2015	Fannan		
D724,766 S *	3/2015	Fannan	D25/124
D725,295 S *	3/2015	Fannan	D25/124
D725,798 S	3/2015	Fannan		
D727,537 S *	4/2015	Campbell	D25/124
D732,204 S *	6/2015	Campbell	D25/124

(Continued)

OTHER PUBLICATIONS

Jun. 28, 2016 Canadian Intellectual Property Office, Examiner's report in related application 165381.
Oct. 2009, Extrusion Part No. 6510.

Primary Examiner — Cynthia Ramirez
Assistant Examiner — Llorellys Martinez-Rivera
(74) *Attorney, Agent, or Firm* — Zollinger & Burleson Ltd.

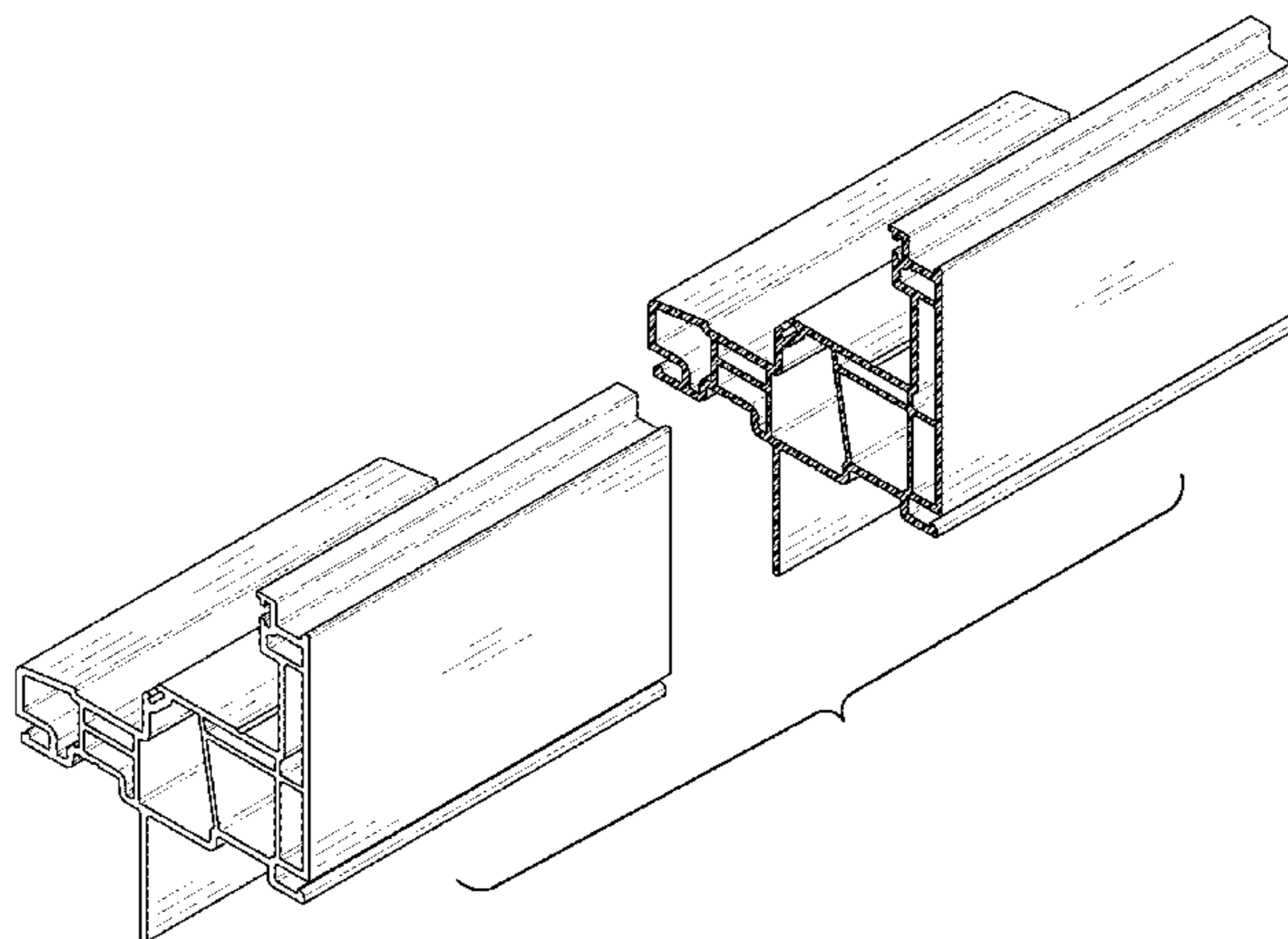
(57) **CLAIM**

The ornamental design for a window component extrusion, as shown and described.

DESCRIPTION

FIG. 1 is a top perspective view of a window component extrusion; and, FIG. 2 is a bottom perspective view of the window component extrusion shown in FIG. 1. The window component extrusion is shown with a symbolic break in its length. The appearance of any portion of the

(Continued)



window component extrusion between the break lines forms
no part of the claimed design.

1 Claim, 2 Drawing Sheets

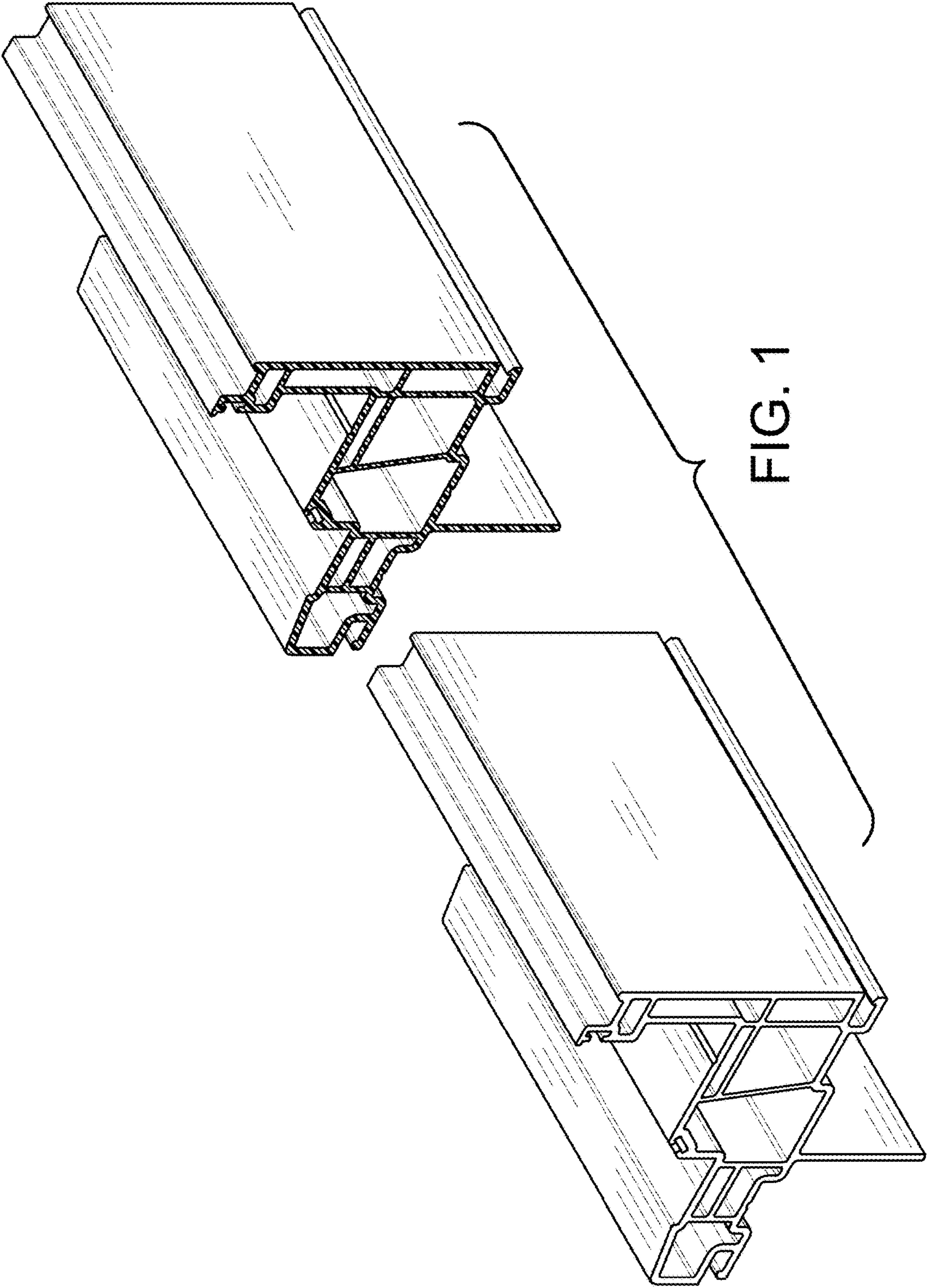
(56)

References Cited

U.S. PATENT DOCUMENTS

2005/0050815 A1* 3/2005 Engebretson E06B 1/345
52/204.52

* cited by examiner



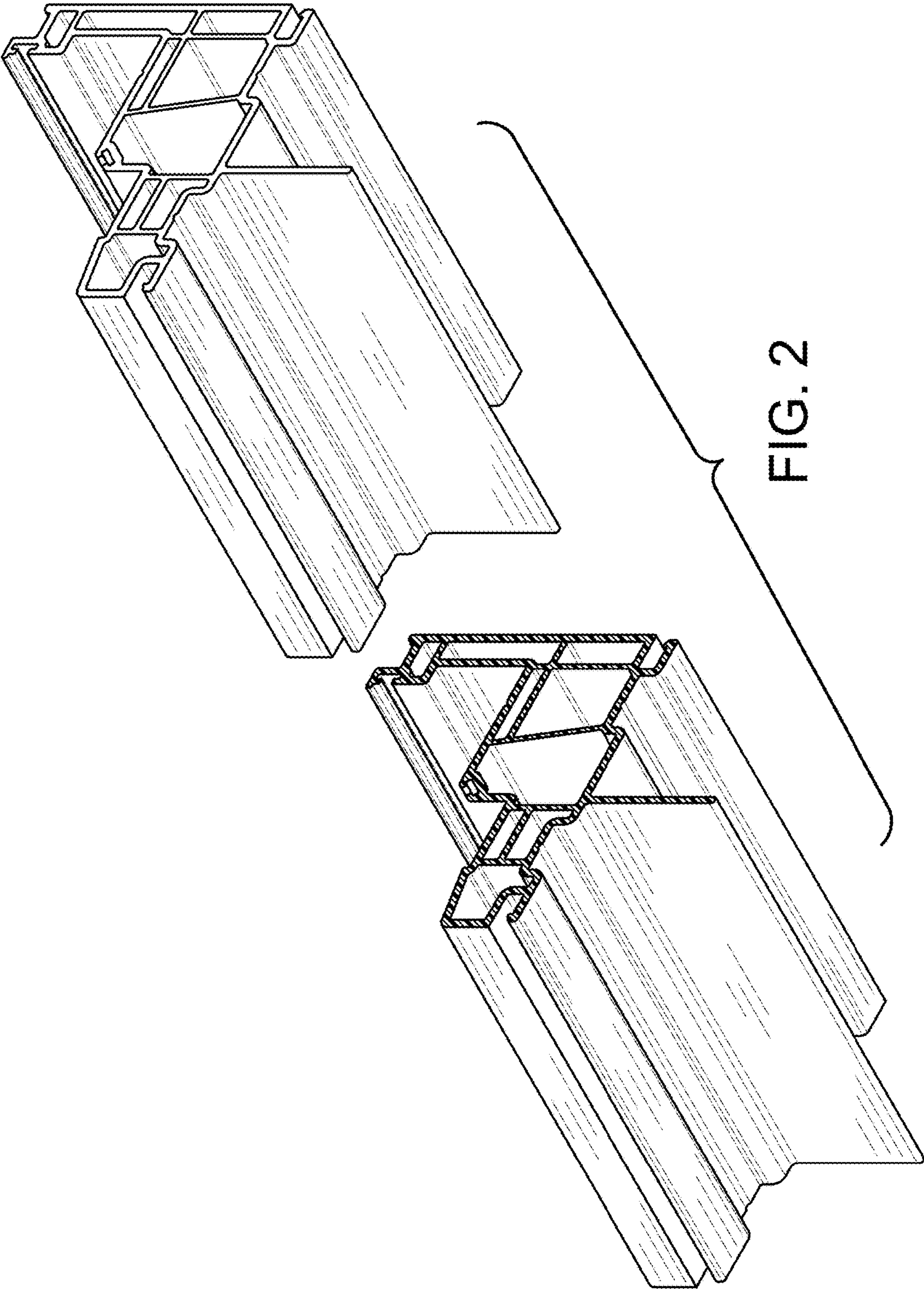


FIG. 2