



US00D775736S

(12) **United States Design Patent** (10) **Patent No.:** **US D775,736 S**
McCafferty (45) **Date of Patent:** **** Jan. 3, 2017**

(54) **TONOMETER TIP**
(71) Applicant: **CATS TONOMETER, LLC**, Tucson, AZ (US)
(72) Inventor: **Sean J. McCafferty**, Tucson, AZ (US)
(73) Assignee: **CATS Tonometer, LLC**, Tucson, AZ (US)
(**) Term: **15 Years**
(21) Appl. No.: **29/539,108**

D356,010 S * 3/1995 McEntee D30/130
D360,112 S * 7/1995 McEntee D7/545
D363,415 S * 10/1995 Carlson D7/533
D363,778 S * 10/1995 Cane D24/129
D375,225 S * 11/1996 Cousins D7/391
D395,608 S * 6/1998 Truax D10/66
D412,605 S * 8/1999 Sharon D30/129
D429,817 S * 8/2000 Banks D24/190
D444,236 S * 6/2001 Koop D24/172
D480,264 S * 10/2003 de Groote D7/392.1
D481,585 S * 11/2003 Logiudice D7/391
D509,101 S * 9/2005 Søndergaard D7/392.1
D518,948 S * 4/2006 Calkins D3/10
D564,656 S * 3/2008 Matsutori D24/109

(Continued)

(22) Filed: **Sep. 10, 2015**
(51) **LOC (10) Cl.** **24-00**
(52) **U.S. Cl.**
USPC **D24/172**
(58) **Field of Classification Search**
USPC D24/170-172, 129, 190, 109, 204;
D14/222; D21/794; D7/407, 387, 545,
D7/533, 391, 392.1, 505, 354, 554.2, 565,
D7/507, 300.1; D23/207; D9/428;
D30/130, 129, D30/121; D15/199;
D10/66; 220/3.8; 451/158; 206/316.1;
501/86; 73/1.89
CPC G01N 3/62; A61F 2/16; A61B 50/30;
B24B 13/043; F16J 15/106
See application file for complete search history.

OTHER PUBLICATIONS

“Why is the sky blue?” reference dated Jan. 1, 1997-Dec. 31, 2009, found on the internet at <http://scijinks.jpl.nasa.gov/blue-sky/>.*

Primary Examiner — Rhea Shields
(74) *Attorney, Agent, or Firm* — Yakov Sidorin; Quarles & Brady LLP

(57) **CLAIM**

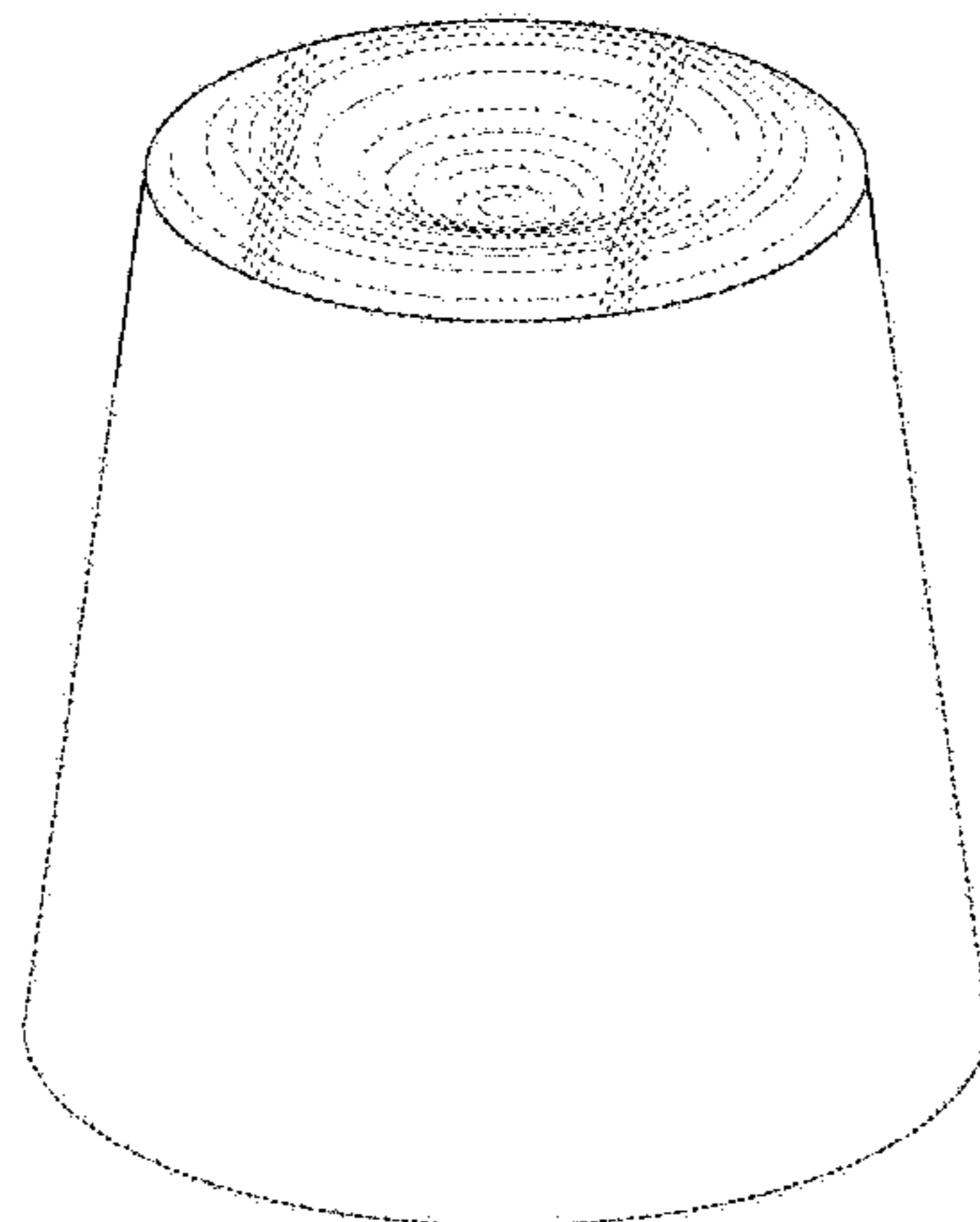
The ornamental design for a tonometer tip, as shown and described.

DESCRIPTION

FIG. 1 is a perspective view of the tonometer tip, showing my new design.
FIG. 2 is a first side elevational view thereof;
FIG. 3 is a cross-sectional view thereof taken along line 3-3 of FIG. 2;
FIG. 4 top plan view thereof; and,
FIG. 5 is a bottom plan view thereof.
The broken lines are included for the purpose of illustrating portions of the tonometer tip that form no part of the claimed design. The oblique line shadings in FIGS. 1, 2, and 4 are included to show transparent surfaces.

1 Claim, 5 Drawing Sheets

(56) **References Cited**
U.S. PATENT DOCUMENTS
785,116 A * 3/1905 Perry F16J 15/106
220/3.8
3,824,742 A * 7/1974 Rupp B24B 13/043
451/158
D286,399 S * 10/1986 Willy D14/222
D304,749 S * 11/1989 Johnson D21/794
D309,398 S * 7/1990 Lund D7/407
5,031,622 A * 7/1991 LaHaye A61B 50/30
206/316.1
5,133,750 A * 7/1992 Momose A61F 2/16
501/86
D333,590 S * 3/1993 Harris D7/387



(56)

References Cited

U.S. PATENT DOCUMENTS

D593,364 S *	6/2009	Harris	D7/505
D609,046 S *	2/2010	Valderrama	D7/392.1
D623,007 S *	9/2010	Alden	D7/354
D626,621 S *	11/2010	Olson	D23/207
D645,155 S *	9/2011	Niu	D24/204
D646,931 S *	10/2011	Chen	D7/554.2
D699,518 S *	2/2014	Klimecki	D7/565
D700,800 S *	3/2014	Ludeman	D7/391
D703,487 S *	4/2014	Marina	D7/507
D706,076 S *	6/2014	Andersen	D7/392.1
D709,387 S *	7/2014	Marina	D7/300.1
D722,814 S *	2/2015	Heiberg	D7/354
D734,470 S *	7/2015	Zhang	D24/172
D735,421 S *	7/2015	Plant	D30/121
D737,450 S *	8/2015	Abelson	D24/172
D746,886 S *	1/2016	Breazeal	D15/199
D750,482 S *	3/2016	Rapparini	D9/428
2003/0015018 A1 *	1/2003	Brannon	G01N 3/62 73/1.89

* cited by examiner

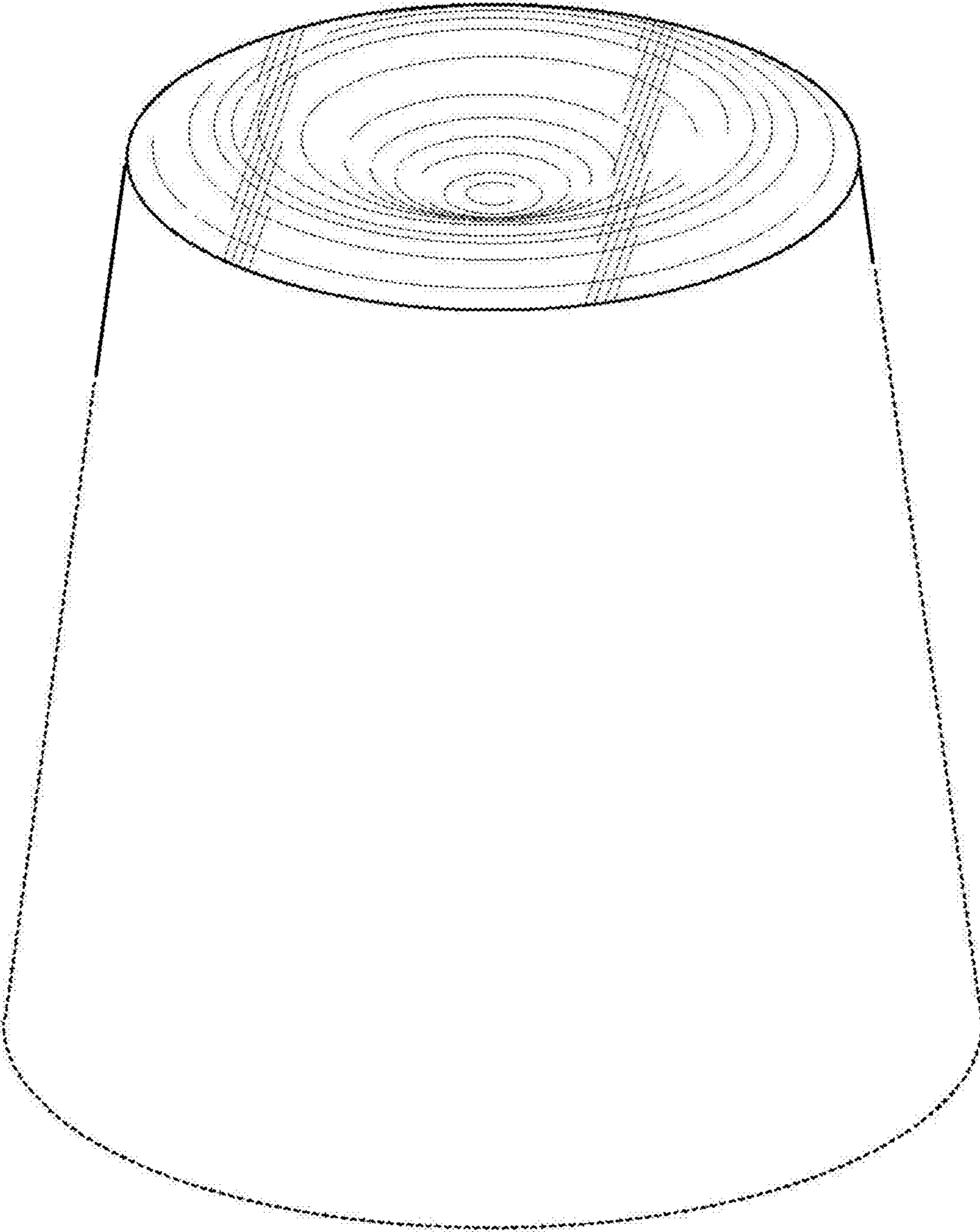


FIG. 1

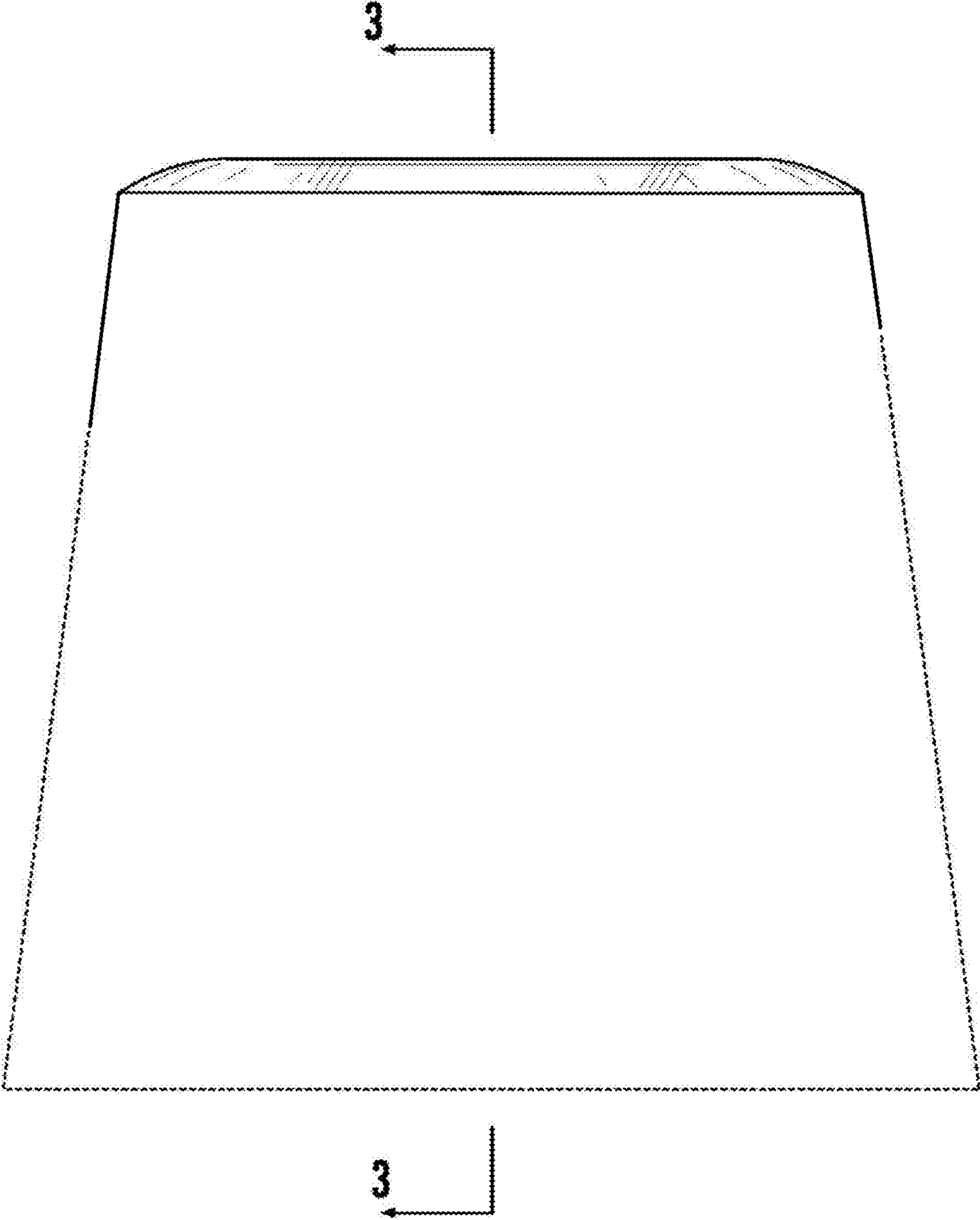


FIG. 2

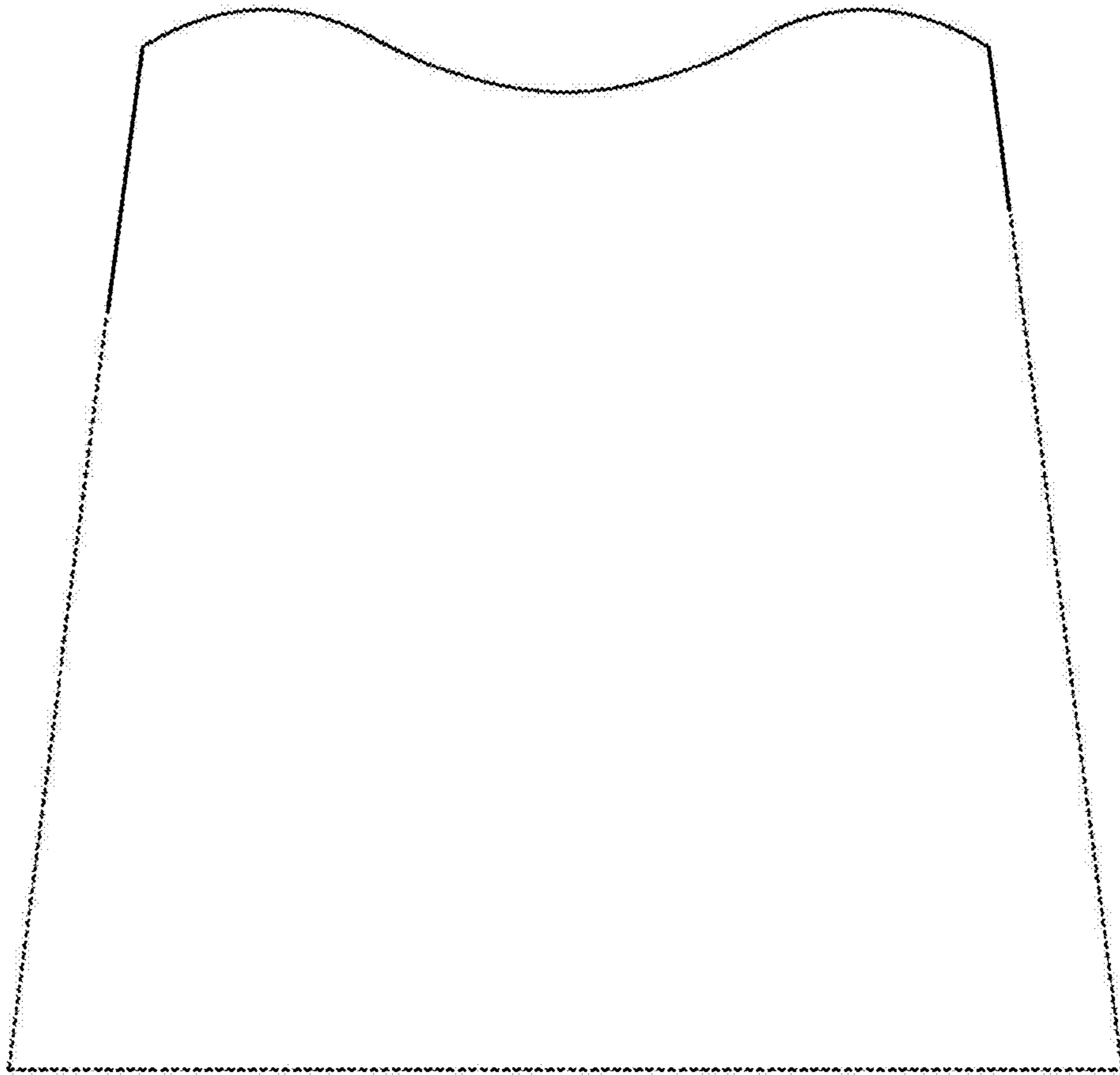


FIG. 3

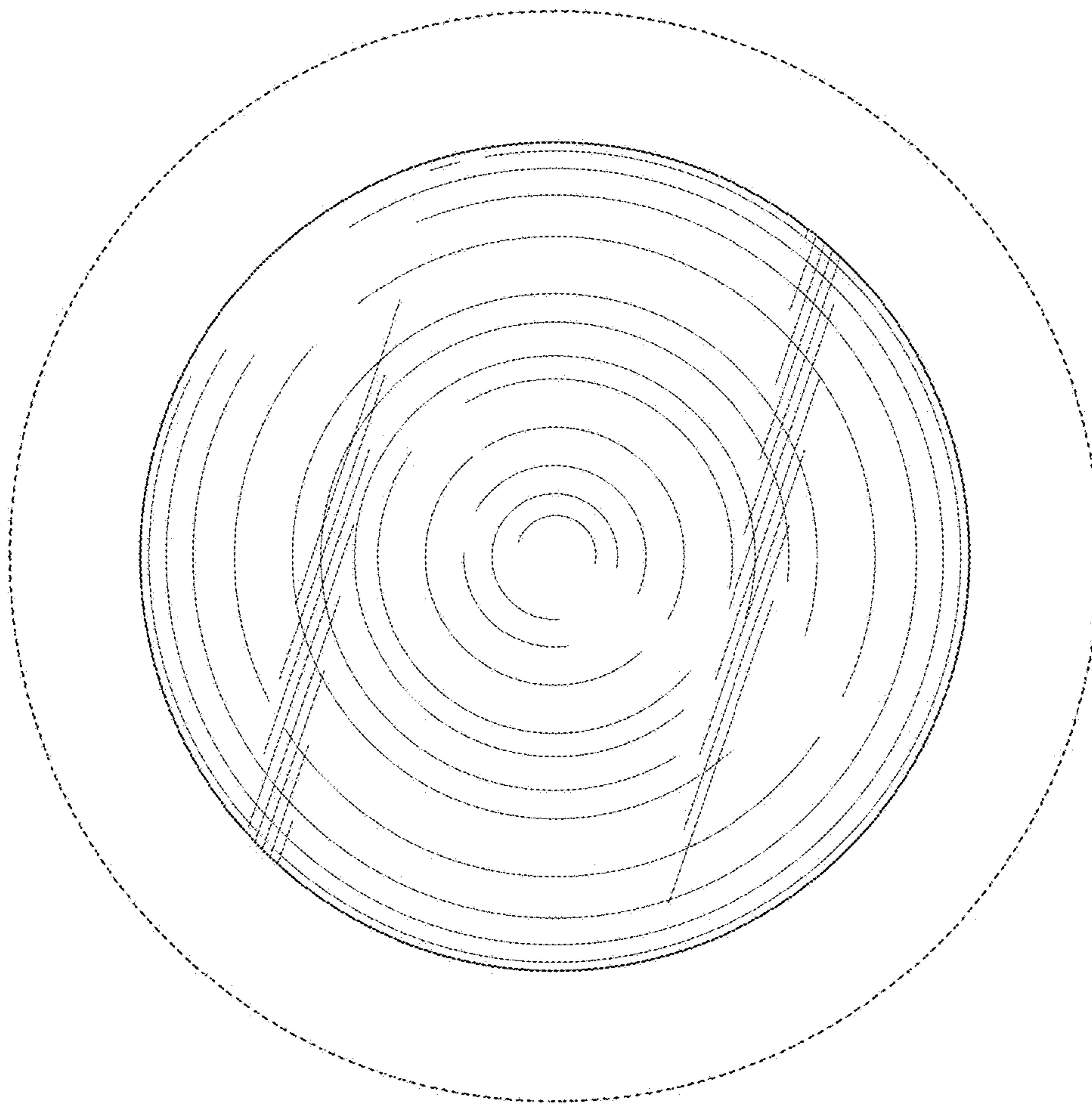


FIG. 4

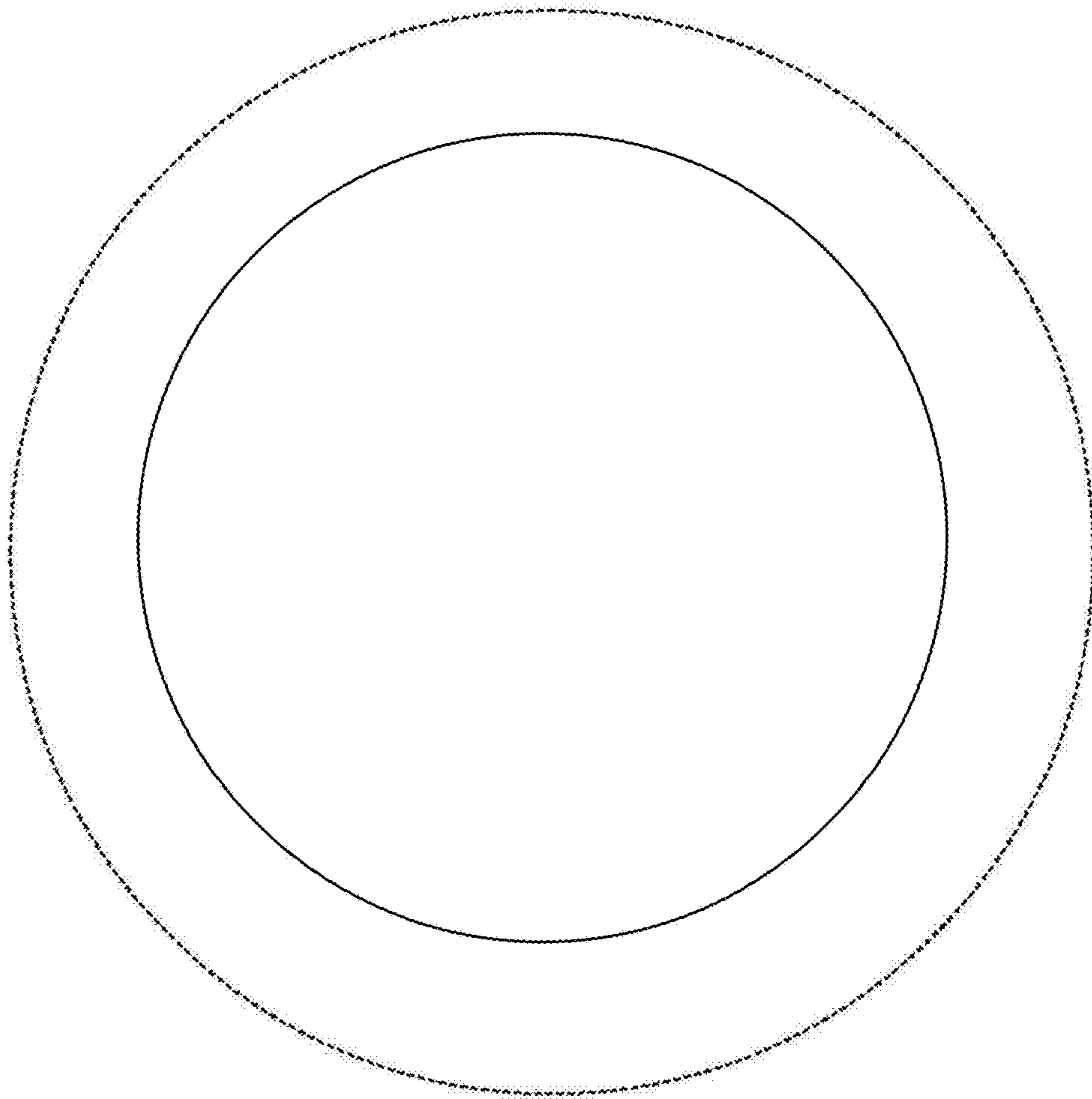


FIG. 5