



US00D775735S

(12) **United States Design Patent** (10) **Patent No.:** **US D775,735 S**
Faux et al. (45) **Date of Patent:** **** *Jan. 3, 2017**

(54) **APPARATUS FOR CORRECTING HAMMER TOE**

(75) Inventors: **Jonathan Robert Faux**, Provo, UT (US); **Chris Robert Hughes**, Alpine, UT (US)

(73) Assignees: **FusioNX, sarl**, Luxembourg (LU); **BALDEGG, LLC**, Salt Lake City, UT (US)

(*) Notice: This patent is subject to a terminal disclaimer.

(**) Term: **14 Years**

(21) Appl. No.: **29/427,068**

(22) Filed: **Jul. 13, 2012**

(51) **LOC (10) Cl.** **24-00**

(52) **U.S. Cl.**
USPC **D24/171**

(58) **Field of Classification Search**
USPC . D24/171, 147, 192, 144, 176, 189; 602/30, 602/28; 606/100, 62; D15/139; 128/898; D28/56; 36/89
CPC A61B 17/1615; A61B 17/1671; A61F 5/0109; A61F 5/019; A61F 13/066; A61C 8/0018

See application file for complete search history.

(56) **References Cited**

U.S. PATENT DOCUMENTS

- 3,556,091 A * 1/1971 Haig A61F 5/019 602/30
- 4,549,319 A * 10/1985 Meyer A61C 8/0018 606/100
- 4,753,228 A * 6/1988 Selner A61F 13/066 36/89
- D344,367 S * 2/1994 Santore D28/56

- D349,766 S * 8/1994 Frankel D24/189
- 5,484,437 A * 1/1996 Michelson A61B 17/1671 128/898
- D400,547 S * 11/1998 Albrektsson D15/139
- D420,445 S * 2/2000 Von Weissenfluh D24/176
- D507,649 S * 7/2005 Padain D24/144
- D634,343 S * 3/2011 Burke, III D15/139
- D692,562 S * 10/2013 Hess D24/171
- D717,961 S * 11/2014 Rupert D24/192
- D720,459 S * 12/2014 Faux D24/171
- D722,698 S * 2/2015 Frankel D24/147
- D742,514 S * 11/2015 Koenemann D24/147
- 2014/0276318 A1 * 9/2014 Faux A61F 5/0109 602/28
- 2015/0073412 A1 * 3/2015 Faux A61B 17/1615 606/62

* cited by examiner

Primary Examiner — Rhea Shields

(74) *Attorney, Agent, or Firm* — Durham Jones & Pinegar, P.C. Intellectual Property Law Group

(57) **CLAIM**

The ornamental design for an apparatus for correcting hammer toe, as shown and described.

DESCRIPTION

FIG. 1 is an exploded front perspective view of the parts of an apparatus for correcting hammer toe, including a first element for forming a male member of a joint and a second element for forming a female member of the joint, according to our new design;

FIG. 2 is an exploded front view thereof;

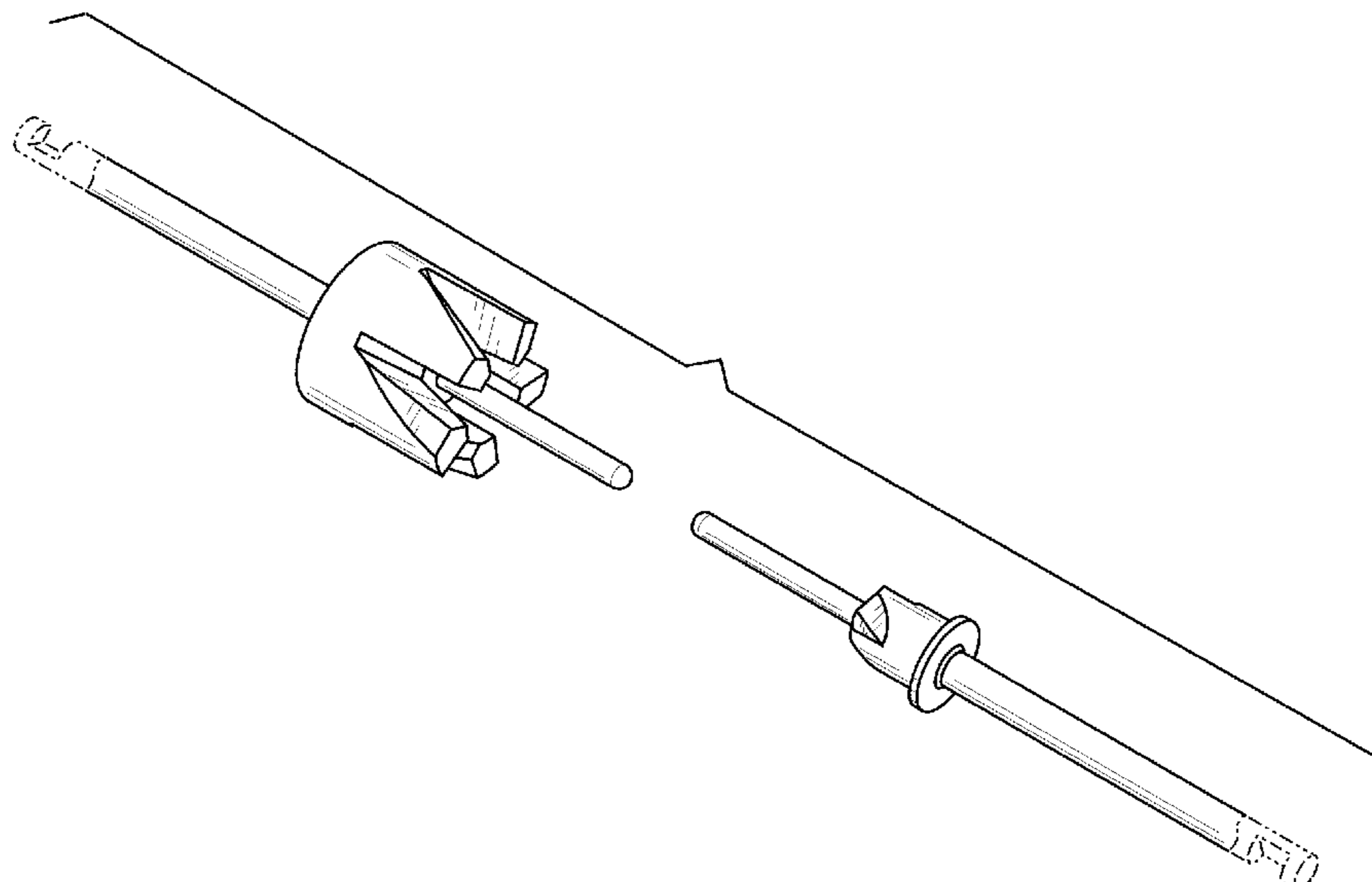
FIG. 3 is an exploded back view thereof;

FIG. 4 is an exploded right side view thereof; and,

FIG. 5 is an exploded left side view thereof.

In the drawings, the broken lines are for the purpose of illustrating environment only, and form no part of the claimed design.

1 Claim, 2 Drawing Sheets



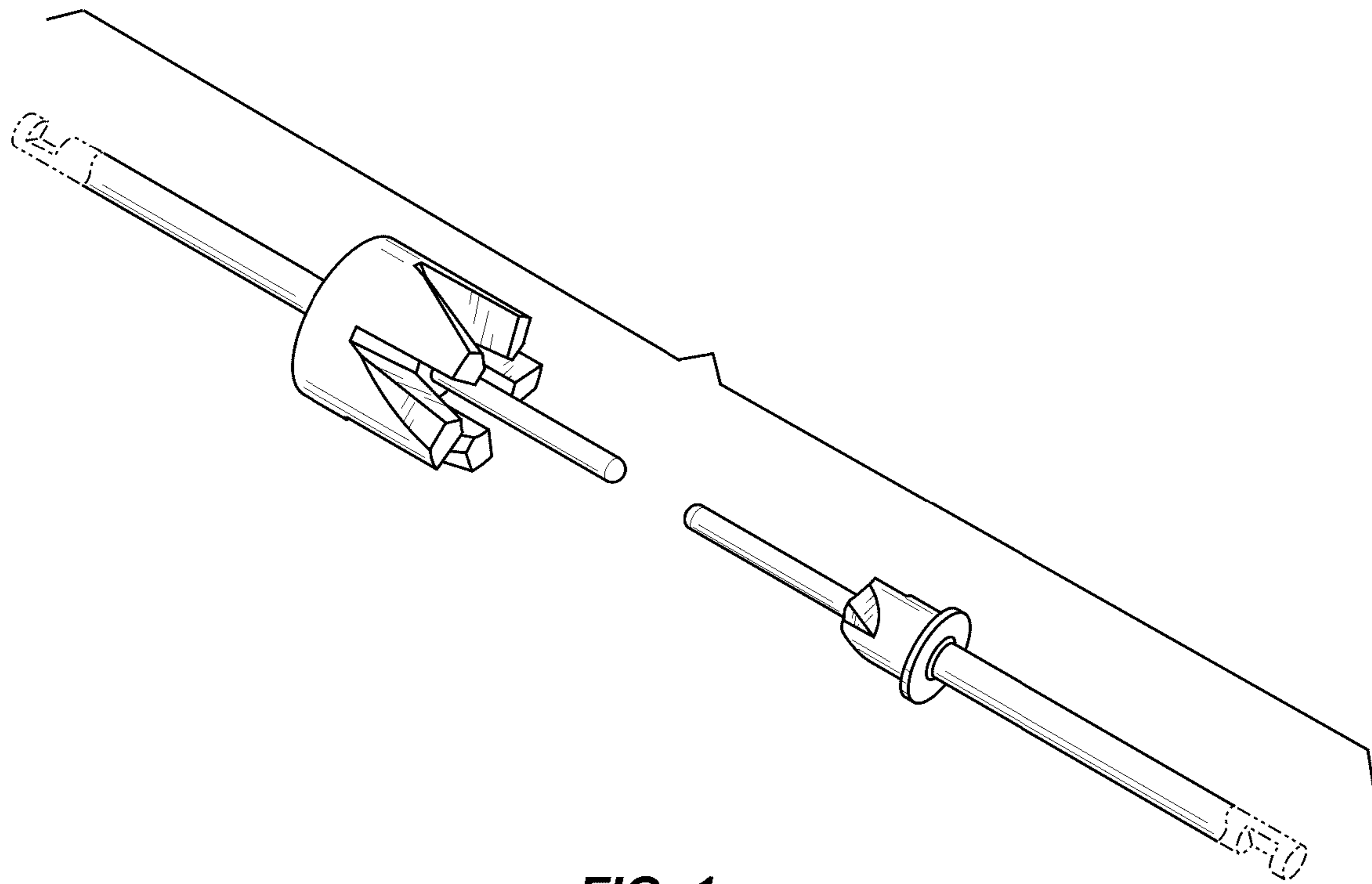


FIG. 1

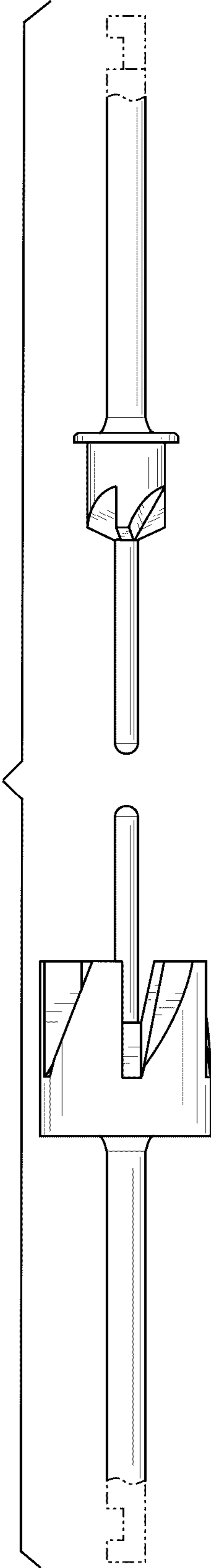


FIG. 2

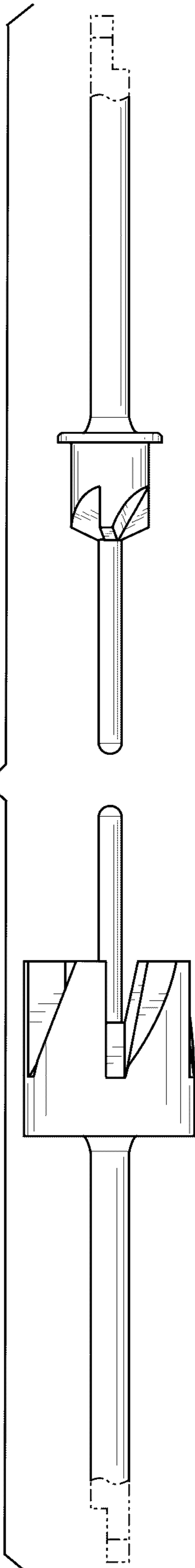


FIG. 3

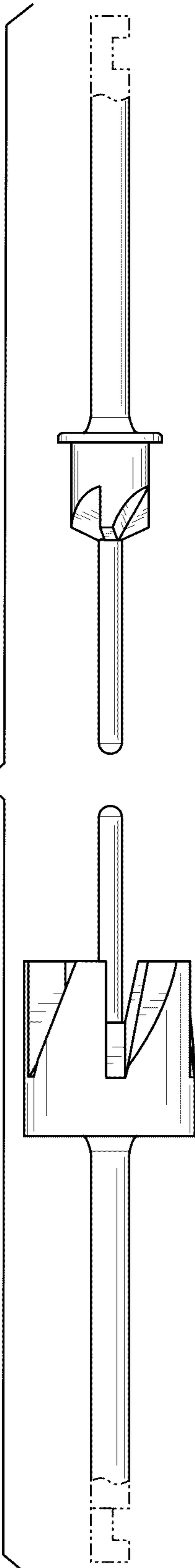


FIG. 4

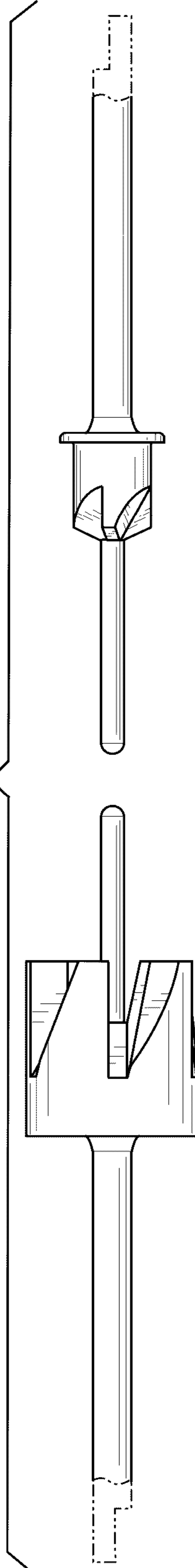


FIG. 5