



US00D775734S

(12) **United States Design Patent**  
**Hrenchir et al.**

(10) **Patent No.:** **US D775,734 S**

(45) **Date of Patent:** **\*\* Jan. 3, 2017**

(54) **ELECTROSURGICAL GENERATOR**

(71) Applicant: **COVIDIEN LP**, Mansfield, MA (US)

(72) Inventors: **Paul R. Hrenchir**, Longmont, CO (US); **Matthew Bettman**, Redwood City, CA (US); **Philip Bourgeois**, Woodside, CA (US); **Aaron Neuhauser**, South San Francisco, CA (US); **Jody A. Solem**, Lafayette, CO (US); **Francisco E. Varela**, Denver, CA (US); **Christopher Rainieri**, Erie, CO (US)

(73) Assignee: **COVIDIEN LP**, Mansfield, MA (US)

(\*\*) Term: **15 Years**

(21) Appl. No.: **29/530,602**

(22) Filed: **Jun. 18, 2015**

(51) **LOC (10) Cl.** ..... **24-00**

(52) **U.S. Cl.**  
USPC ..... **D24/170**

(58) **Field of Classification Search**  
USPC ..... D24/170; D13/112; D10/81; 219/234;  
605/35; 606/37, 34  
CPC . A61B 18/1402; A61B 18/1206; A61B 18/12;  
A61B 18/082  
See application file for complete search history.

(56) **References Cited**

**U.S. PATENT DOCUMENTS**

D224,070 S \* 6/1972 Lopez et al. .... D24/170  
D250,480 S \* 12/1978 Wettermann ..... D10/81  
D264,122 S \* 4/1982 Oosten ..... D24/170  
4,593,691 A \* 6/1986 Lindstrom ..... A61B 18/1402  
219/234  
4,903,696 A \* 2/1990 Stasz ..... A61B 18/1206  
606/37

5,160,334 A \* 11/1992 Billings ..... A61B 18/1206  
604/35  
D349,343 S \* 8/1994 Hannon ..... D24/170  
6,068,627 A \* 5/2000 Orszulak ..... A61B 18/12  
606/34  
6,293,941 B1 \* 9/2001 Strul ..... A61B 18/1206  
606/34  
6,364,877 B1 \* 4/2002 Goble ..... A61B 18/082  
606/34  
D477,408 S 7/2003 Bromley  
6,685,703 B2 2/2004 Pearson et al.  
D491,666 S 6/2004 Kimmell et al.  
D491,667 S \* 6/2004 Kimmell ..... D24/170  
6,830,569 B2 12/2004 Thompson et al.  
D552,241 S \* 10/2007 Bromley ..... D24/170

(Continued)

*Primary Examiner* — Rhea Shields

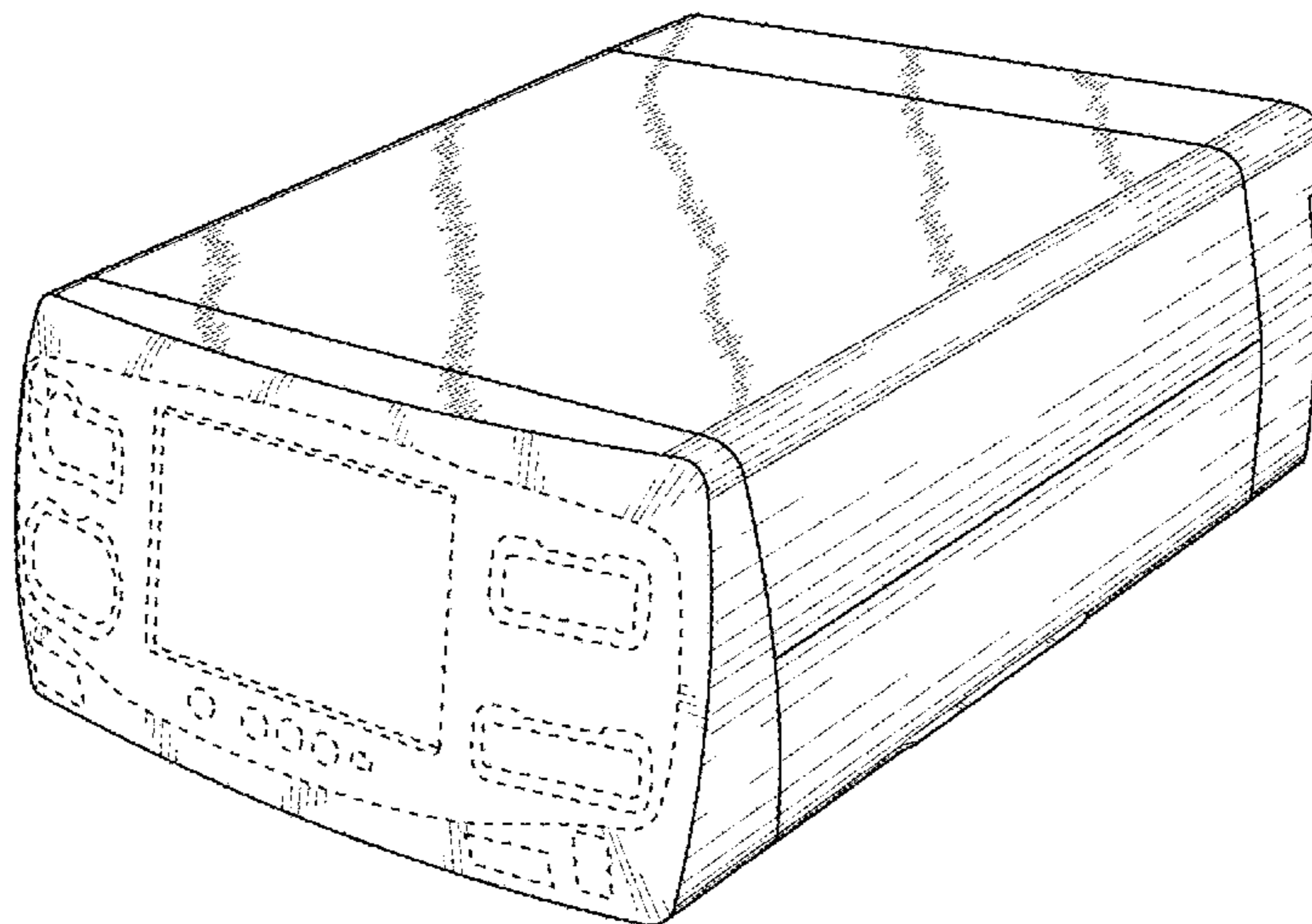
(57) **CLAIM**

The ornamental design for an electrosurgical generator, as shown and described.

**DESCRIPTION**

FIG. 1 is a perspective view of an electrosurgical generator in accordance with the present design;  
FIG. 2 is a right side view of the electrosurgical generator thereof;  
FIG. 3 is a left side view of the electrosurgical generator thereof;  
FIG. 4 is a front elevational view of the electrosurgical generator thereof;  
FIG. 5 is a rear elevational view of the electrosurgical generator thereof;  
FIG. 6 is a top plan view of the electrosurgical generator thereof; and,  
FIG. 7 is a bottom plan view of the electrosurgical generator thereof.  
The broken lines shown in the drawings illustrate portions of the electrosurgical generator that form no part of the claimed design.

**1 Claim, 5 Drawing Sheets**



(56)

**References Cited**

U.S. PATENT DOCUMENTS

D574,323	S	8/2008	Waler	
D681,211	S *	4/2013	Glassett .....	D24/170
D687,146	S *	7/2013	Juzkiw .....	D24/170
D695,407	S *	12/2013	Price .....	D24/170
D704,839	S *	5/2014	Juzkiw .....	D24/170
D712,352	S *	9/2014	George .....	D13/112
D736,933	S *	8/2015	Qiu .....	D13/112
D737,449	S	8/2015	Zheng et al.	
D748,803	S *	2/2016	Zhang .....	D24/170
D759,250	S *	6/2016	Engler .....	D24/170
2004/0097912	A1	5/2004	Gonnering	

\* cited by examiner

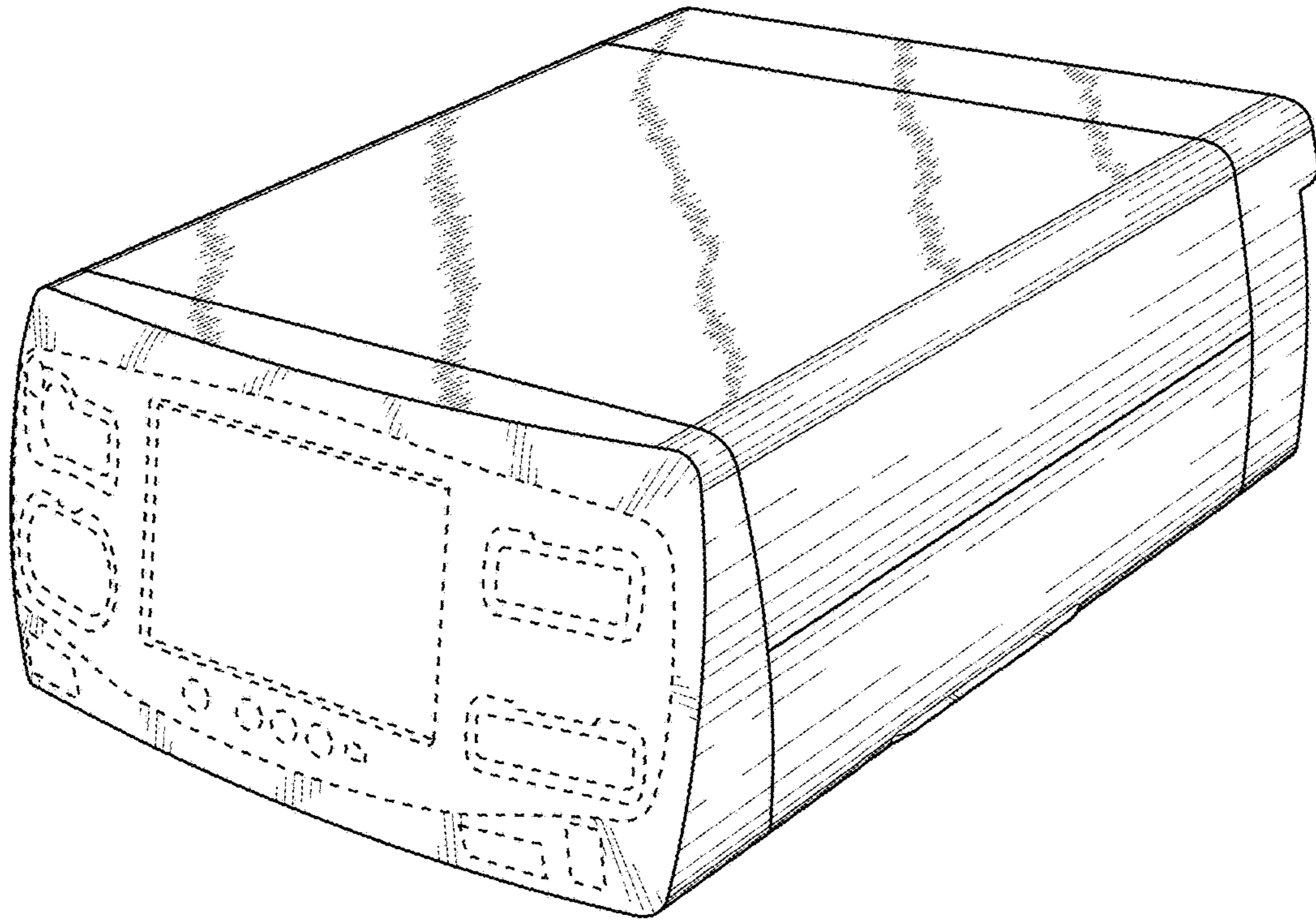


FIG. 1

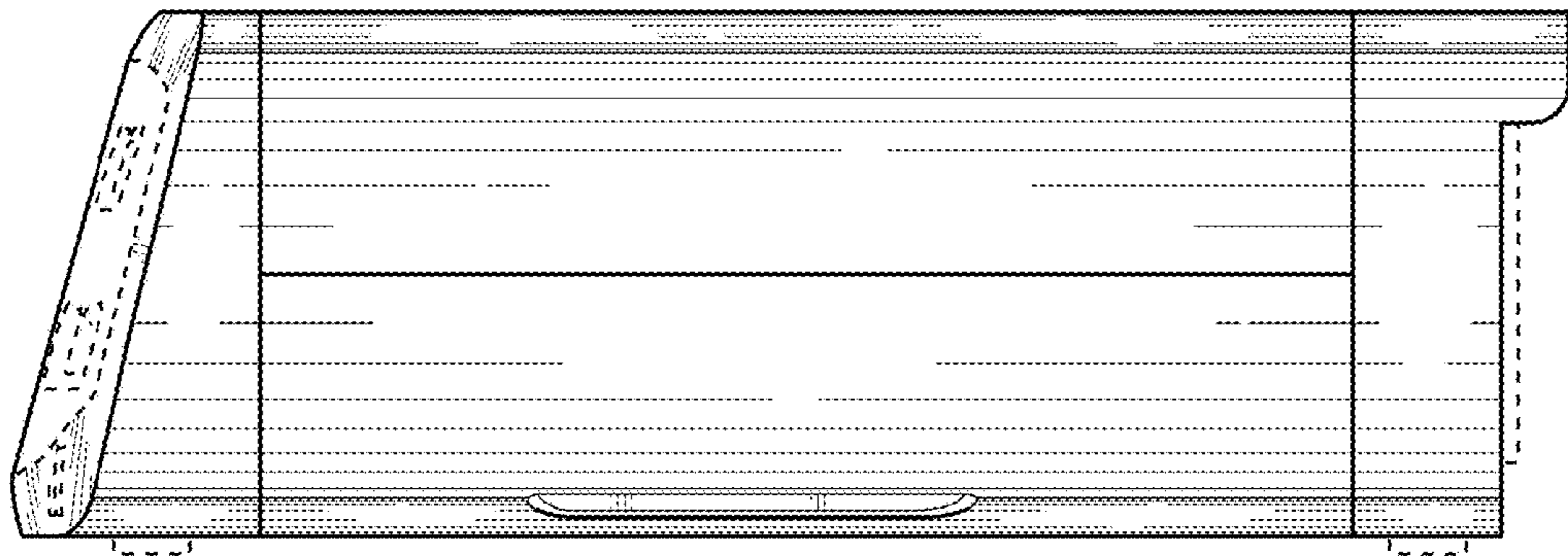


FIG. 2

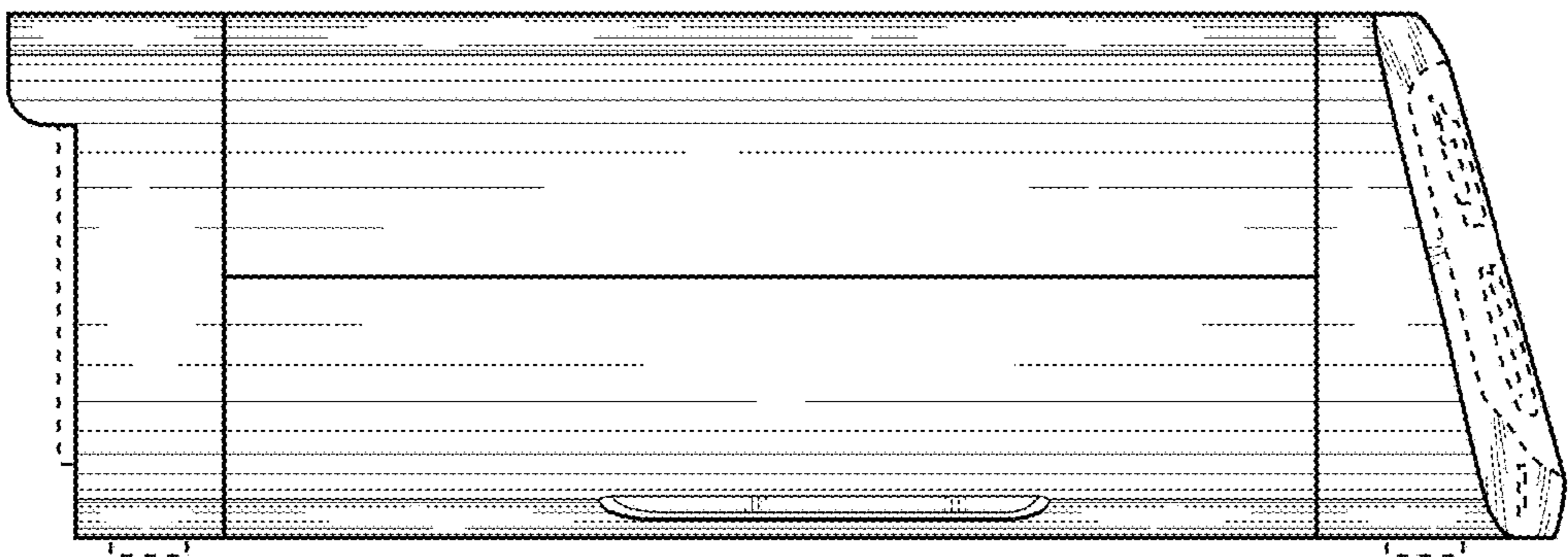


FIG. 3

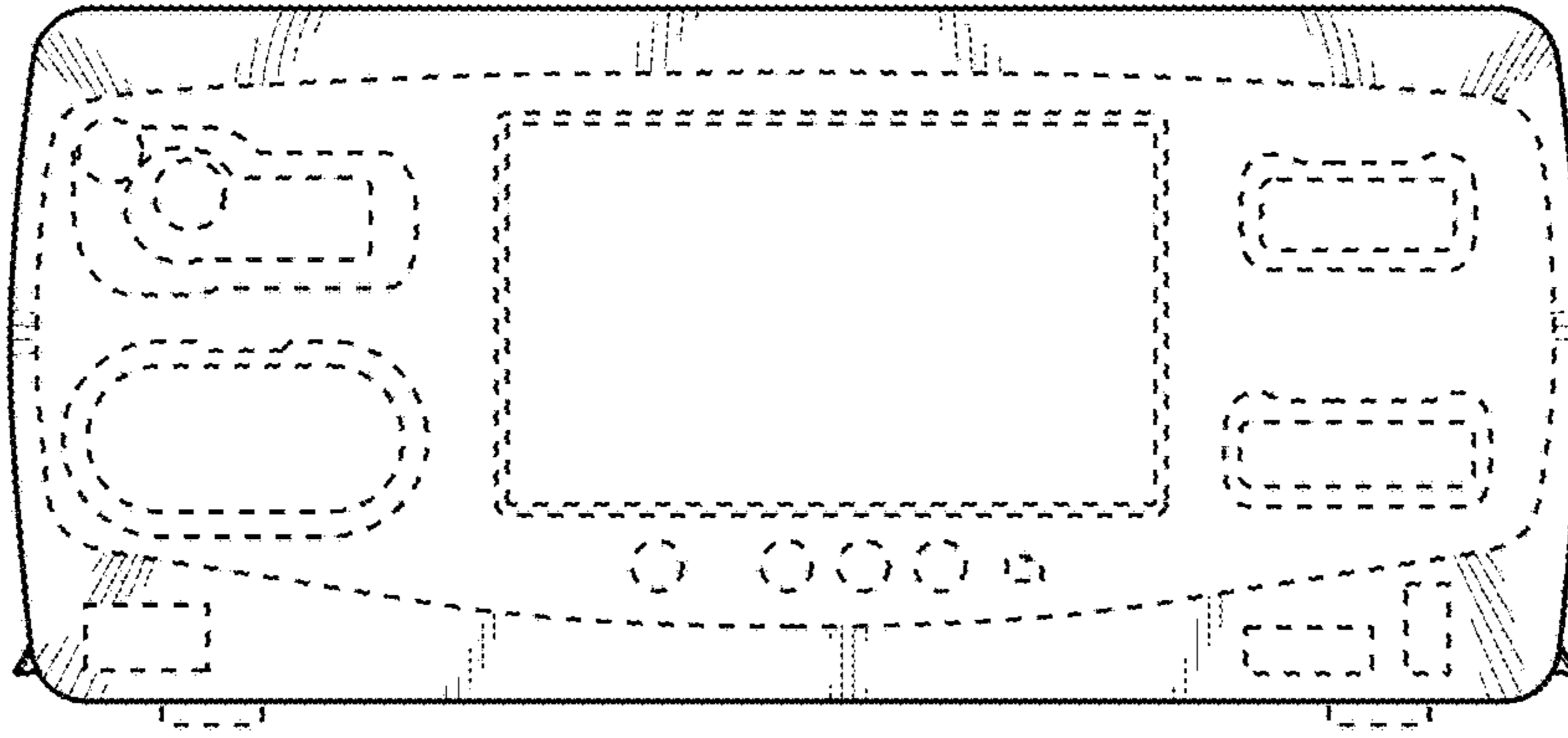


FIG. 4

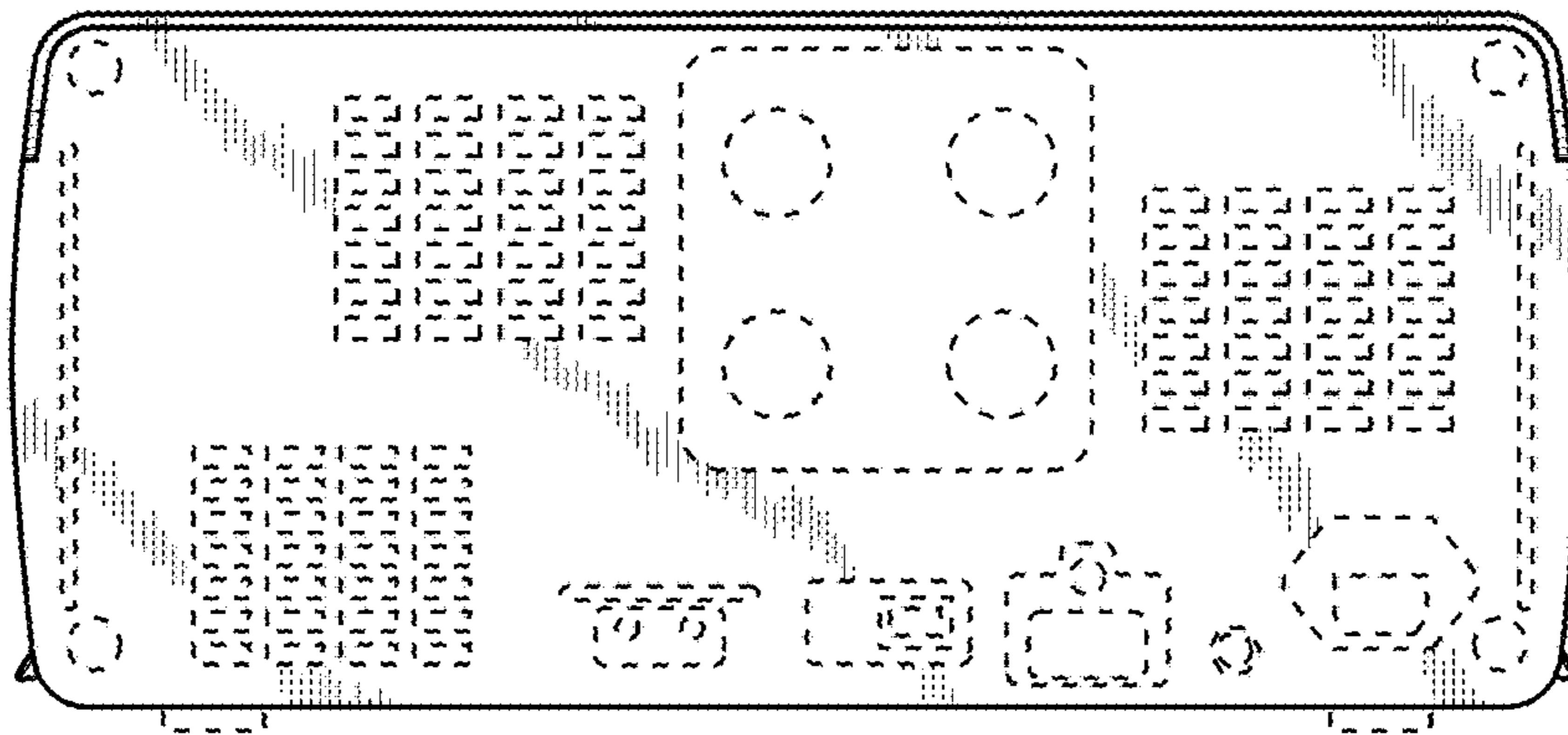


FIG. 5

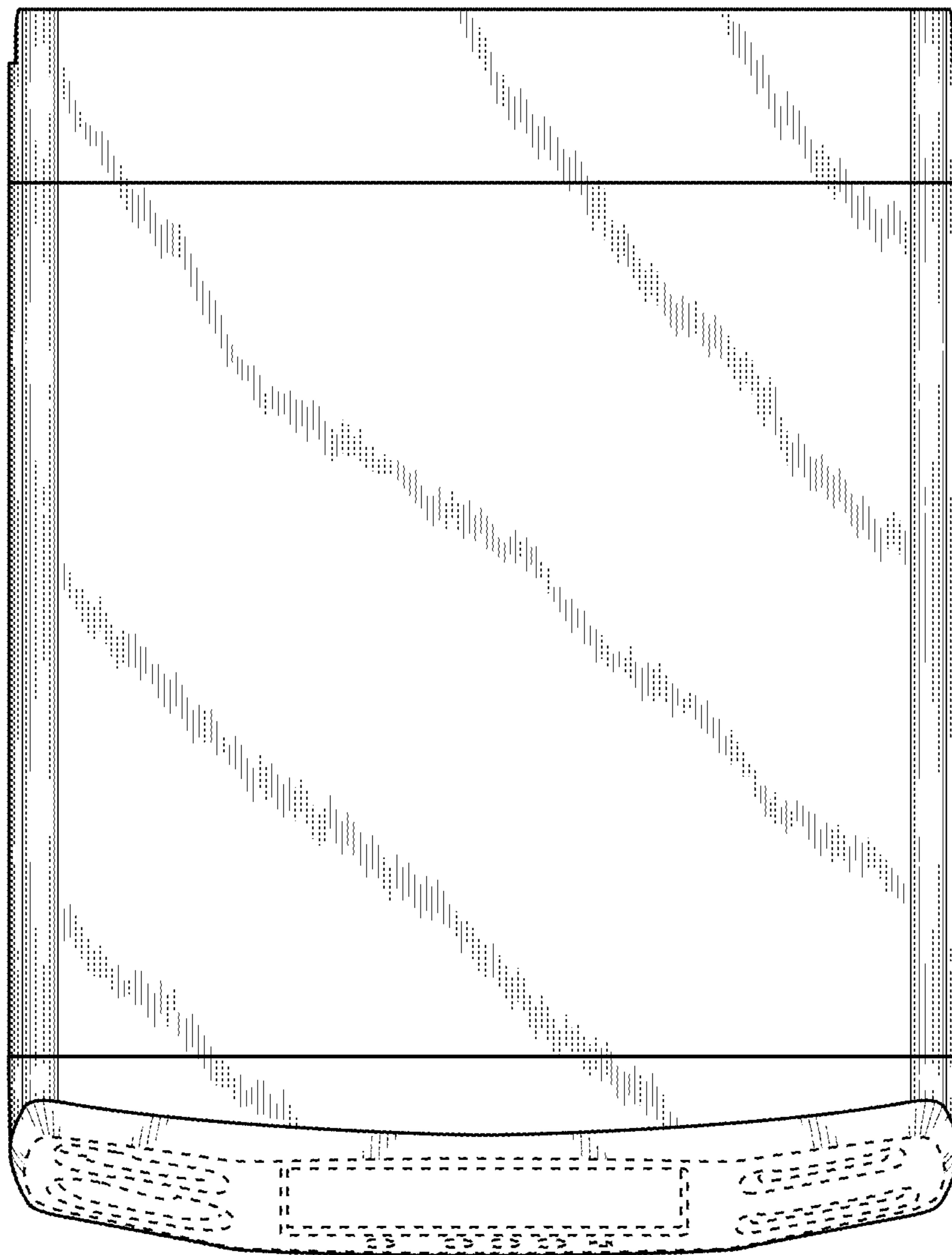


FIG. 6

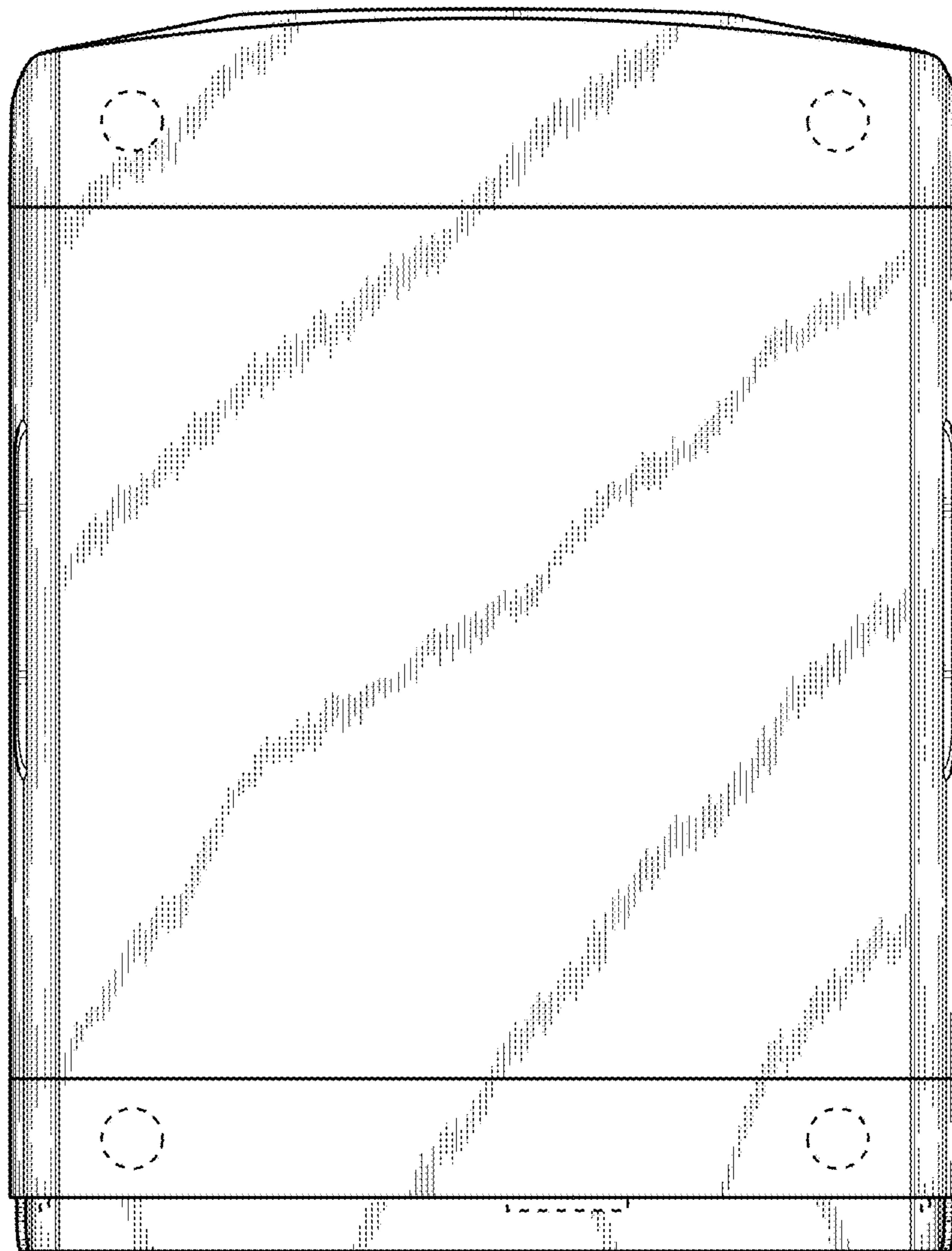


FIG. 7