



US00D775733S

(12) **United States Design Patent**
Buess

(10) **Patent No.:** **US D775,733 S**
(45) **Date of Patent:** **** Jan. 3, 2017**

- (54) **BREATHING TUBE FOR LUNG DIAGNOSTICS**
- (71) Applicant: **ndd Medizintechnik AG**, Zurich (CH)
- (72) Inventor: **Christian Buess**, Horgen (CH)
- (73) Assignee: **ndd Medizintechnik AG**, Zurich (CH)
- (**) Term: **15 Years**
- (21) Appl. No.: **29/531,166**
- (22) Filed: **Jun. 23, 2015**

- D266,695 S * 10/1982 Trammll D21/411
 - D331,281 S * 11/1992 Levine D24/110
 - D335,343 S * 5/1993 Jones D24/110
 - 5,503,151 A * 4/1996 Harnoncourt A61B 5/087
600/438
 - 5,645,071 A * 7/1997 Harnoncourt G01D 3/0365
600/532
 - 5,929,319 A * 7/1999 King G01N 33/4972
422/84
 - D476,413 S * 6/2003 Pearce, Jr. D24/110
 - D518,574 S * 4/2006 Chaggares D24/186
 - D520,139 S * 5/2006 Chaggares D24/186
 - D520,140 S * 5/2006 Chaggares D24/186
 - D528,655 S * 9/2006 Clawson D24/110
- (Continued)

(30) **Foreign Application Priority Data**

Dec. 23, 2014 (EP) 2605188

(51) **LOC (10) Cl.** **24-00**

(52) **U.S. Cl.**
USPC **D24/164**

(58) **Field of Classification Search**
USPC D24/164, 186, 110, 129, 110.5, 110.6;
600/532, 438; 128/909, 200.24; D21/411;
482/13

CPC A61B 5/087; A61B 5/097; A61B 5/0875;
G01N 33/4972; A63B 23/18; G01D
3/0365

See application file for complete search history.

(56) **References Cited**

U.S. PATENT DOCUMENTS

- 3,880,591 A * 4/1975 Burroughs A61B 5/097
128/909
- D242,489 S * 11/1976 Burroughs D24/110
- 4,114,608 A * 9/1978 Russo A61B 5/0875
128/200.24
- 4,221,381 A * 9/1980 Ericson A63B 23/18
482/13
- 4,232,683 A * 11/1980 Bartholomew A61B 5/0875
482/13

FOREIGN PATENT DOCUMENTS

CN 300858229D S 12/2008

Primary Examiner — Rhea Shields

(74) *Attorney, Agent, or Firm* — Alleman Hall McCoy
Russell & Tuttle LLP

(57) **CLAIM**

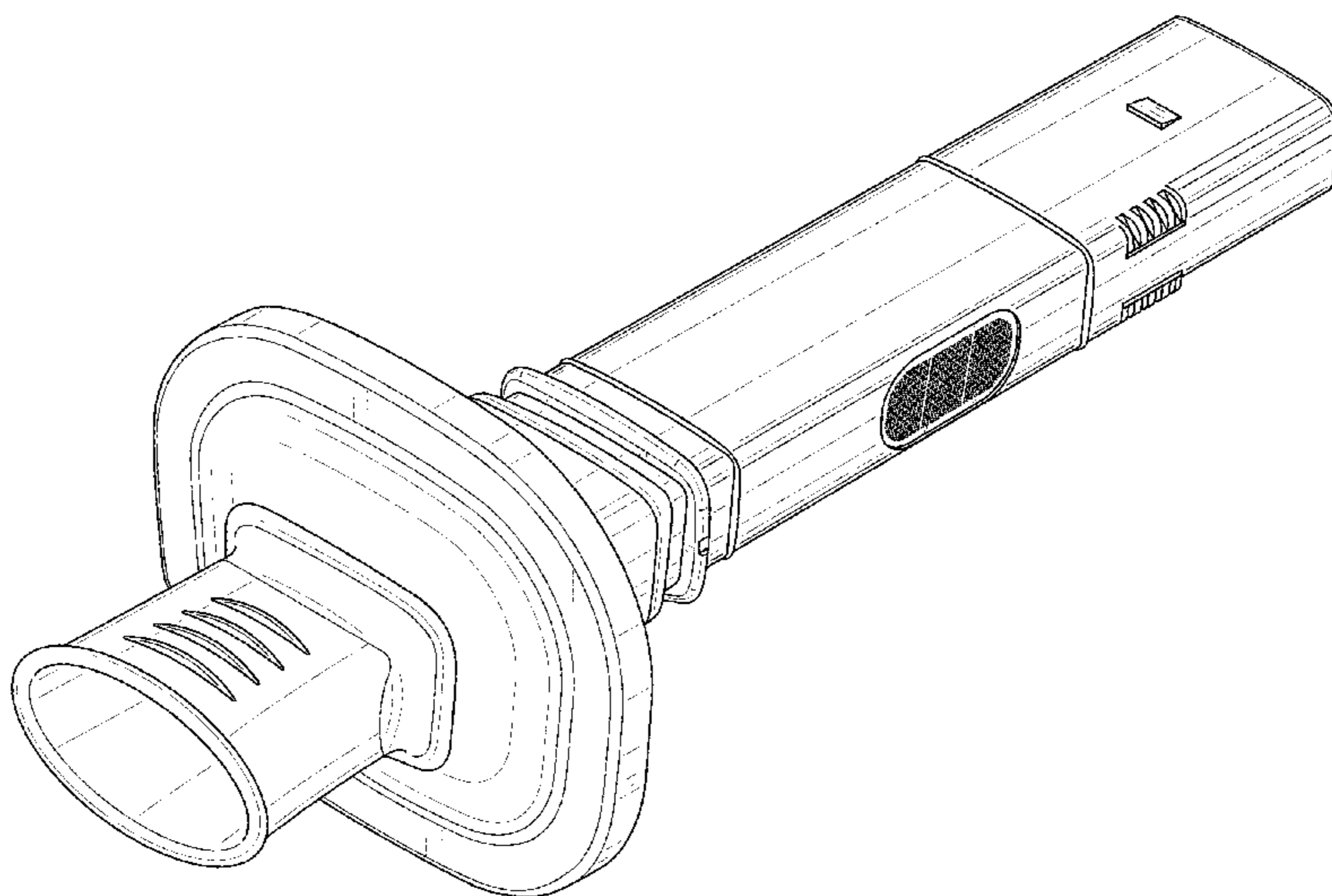
The ornamental design for a breathing tube for lung diagnostics, as shown and described.

DESCRIPTION

FIG. 1 is a front perspective view of a breathing tube for lung diagnostics, according to my new design;
FIG. 2 is a front view thereof;
FIG. 3 is a back view thereof;
FIG. 4 is a right side view thereof;
FIG. 5 is a left side view thereof;
FIG. 6 is a top view thereof; and,
FIG. 7 is a bottom view thereof.

The solid lines in FIGS. 1-7 illustrate a breathing tube for lung diagnostics according to the present disclosure. In the drawings, the broken lines are for the purpose of illustrating environment only and form no part of the claimed design.

1 Claim, 6 Drawing Sheets



(56)

References Cited

U.S. PATENT DOCUMENTS

D542,913	S	*	5/2007	Aspinall	D24/110
D556,908	S	*	12/2007	Jones	D24/164
D638,537	S	*	5/2011	Virr	D24/129
D652,917	S	*	1/2012	Hill	D24/129
D659,835	S		5/2012	Benson		
D680,642	S	*	4/2013	Guerra	D24/110.5
D692,128	S	*	10/2013	Miller	D24/110.6
D692,555	S	*	10/2013	Maksym	D24/110
D693,004	S	*	11/2013	Larsen	D24/164
D748,242	S	*	1/2016	Campbell	D24/110.5
2007/0191726	A1	*	8/2007	Harnoncourt	A61B 5/087 600/532

* cited by examiner

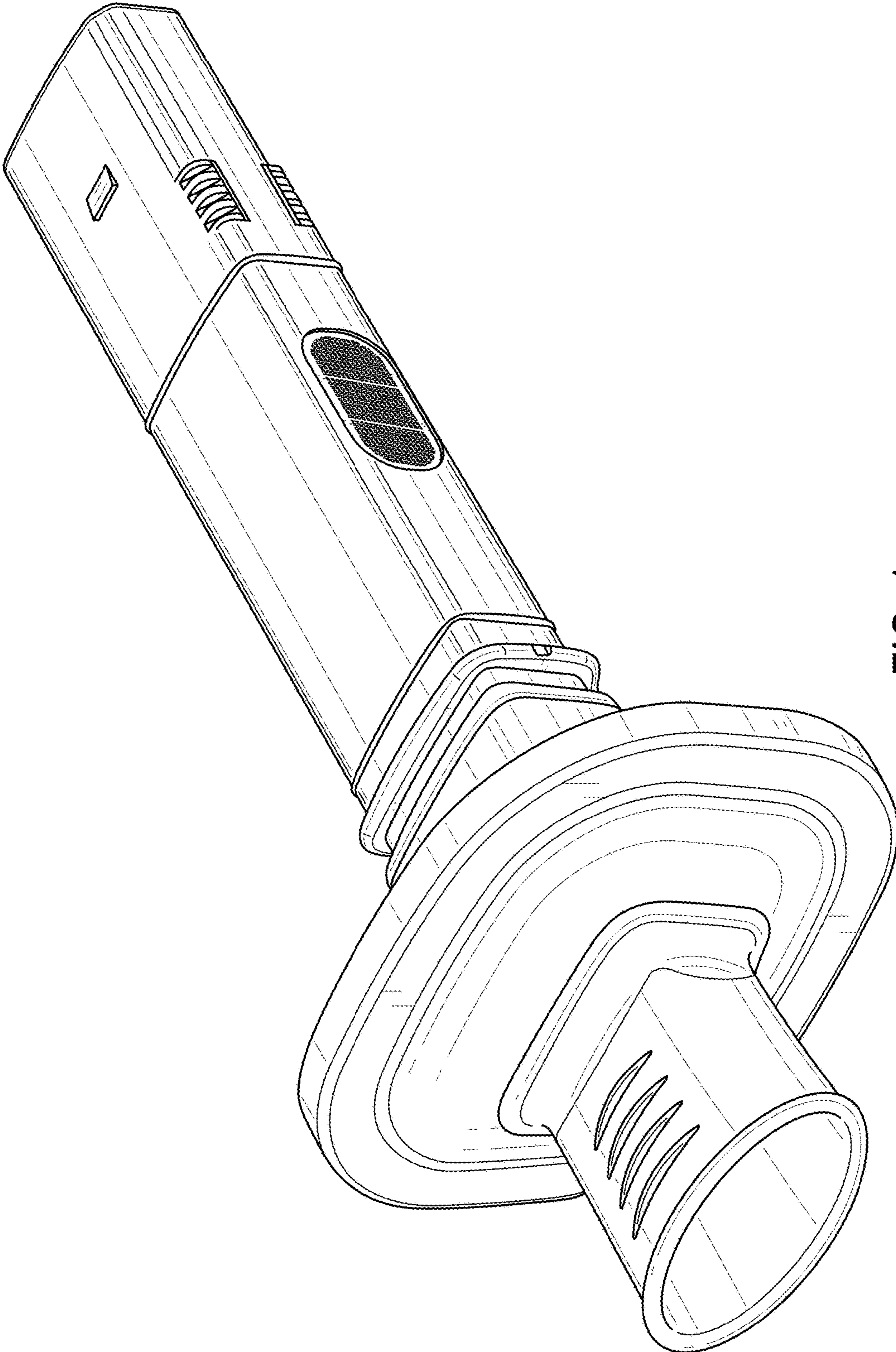


FIG. 1

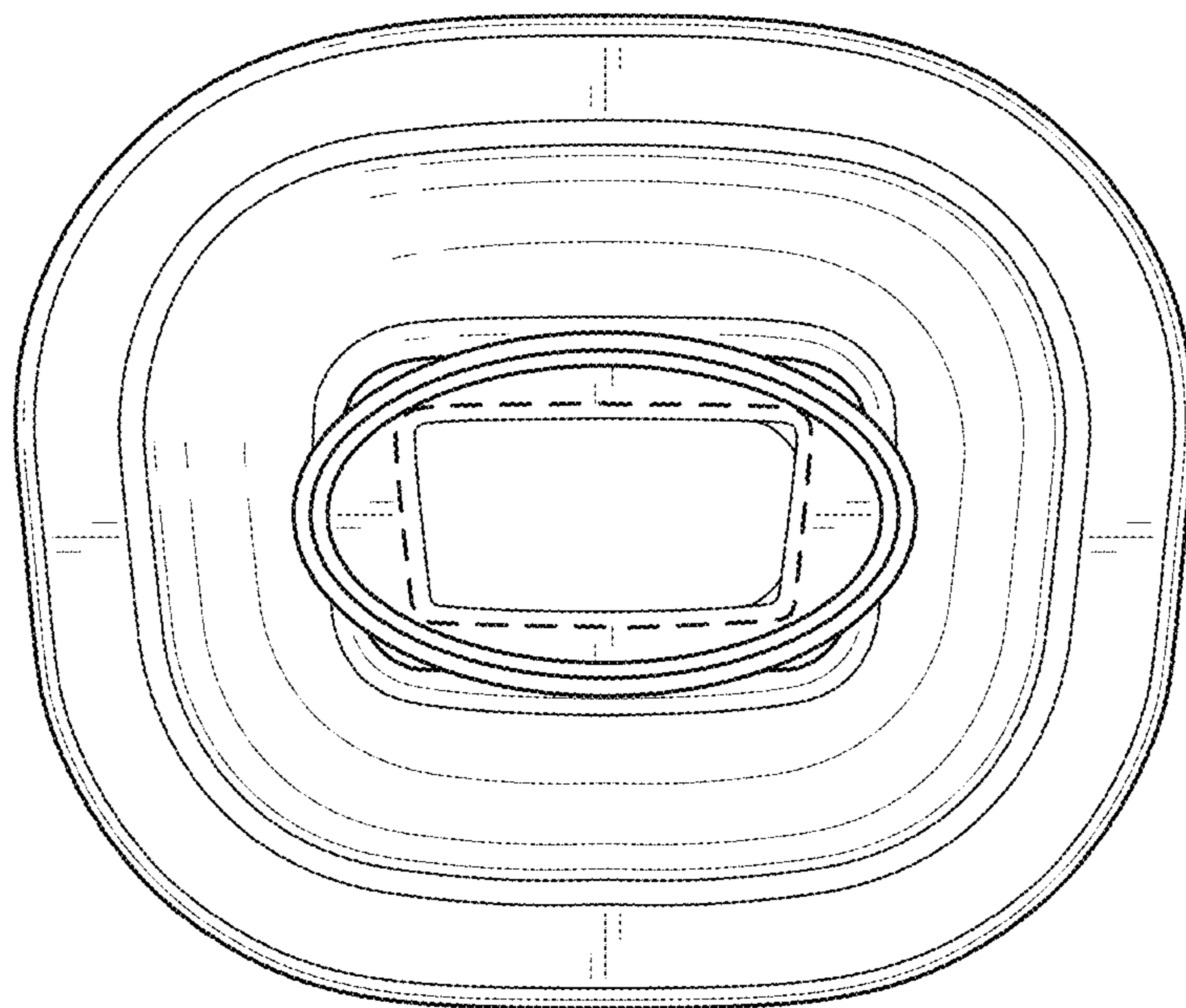


FIG. 2

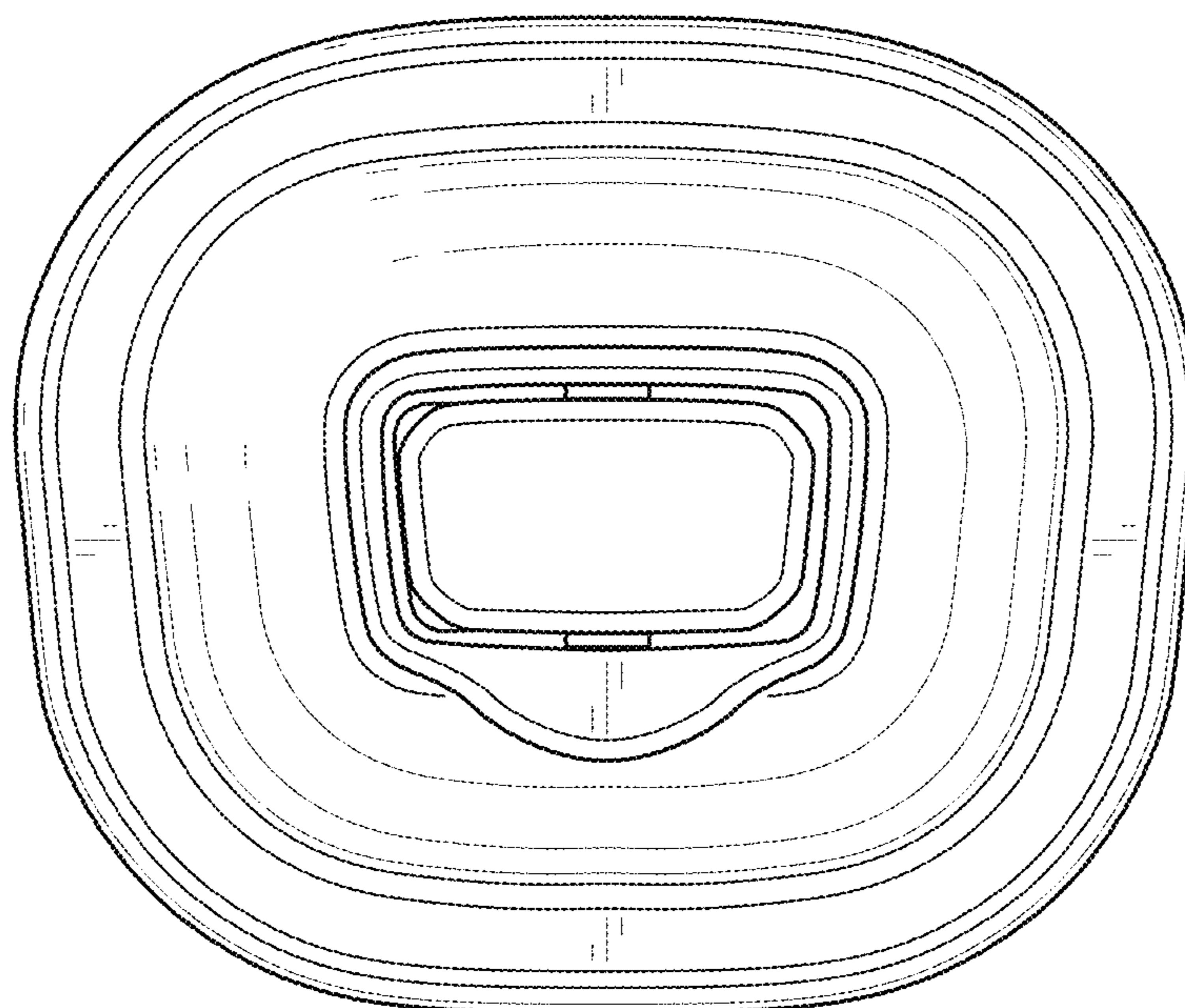


FIG. 3

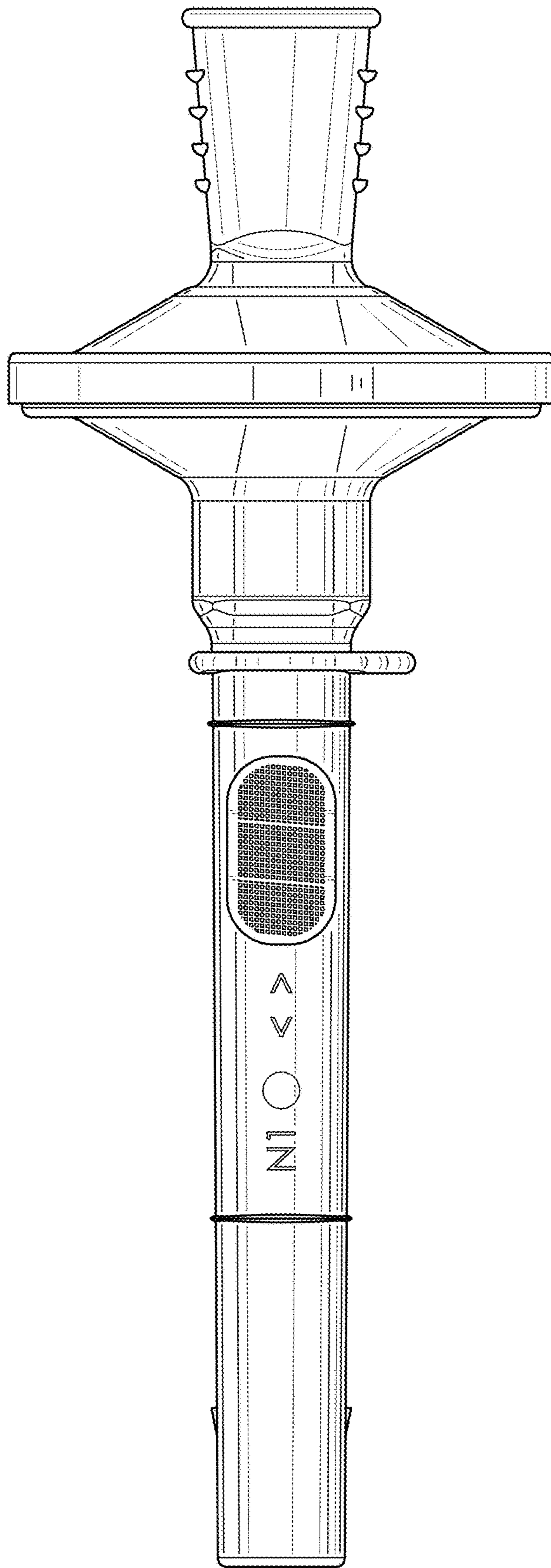


FIG. 4

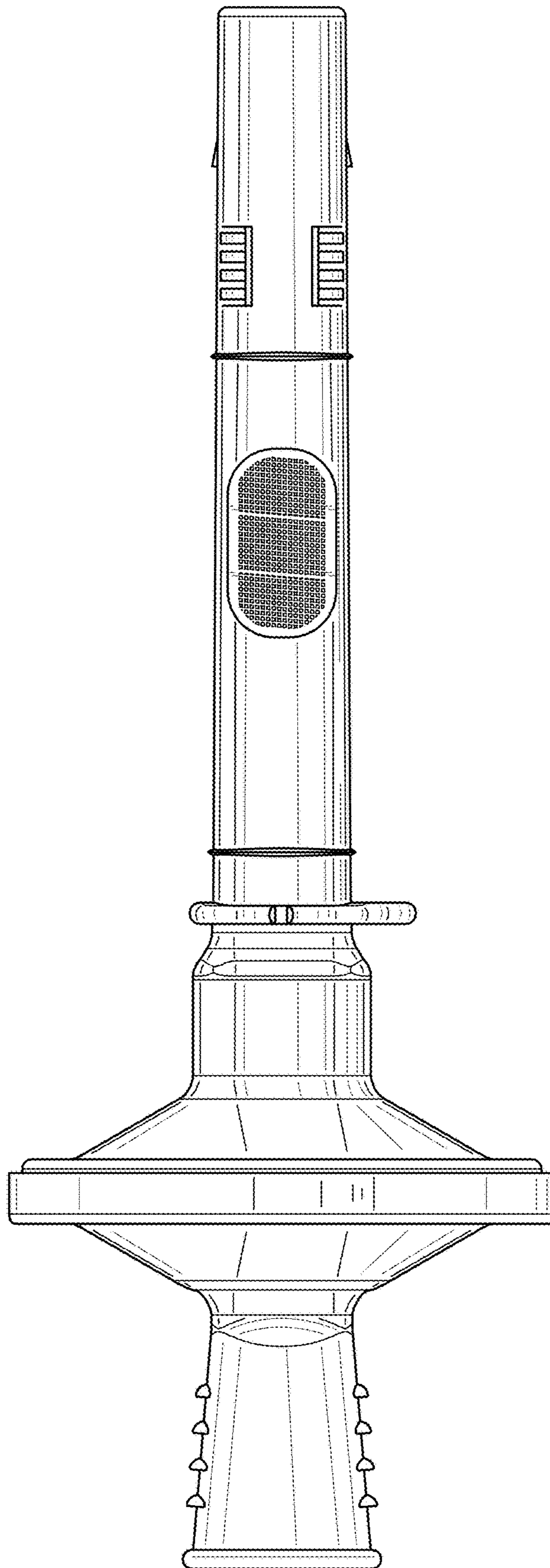


FIG. 5

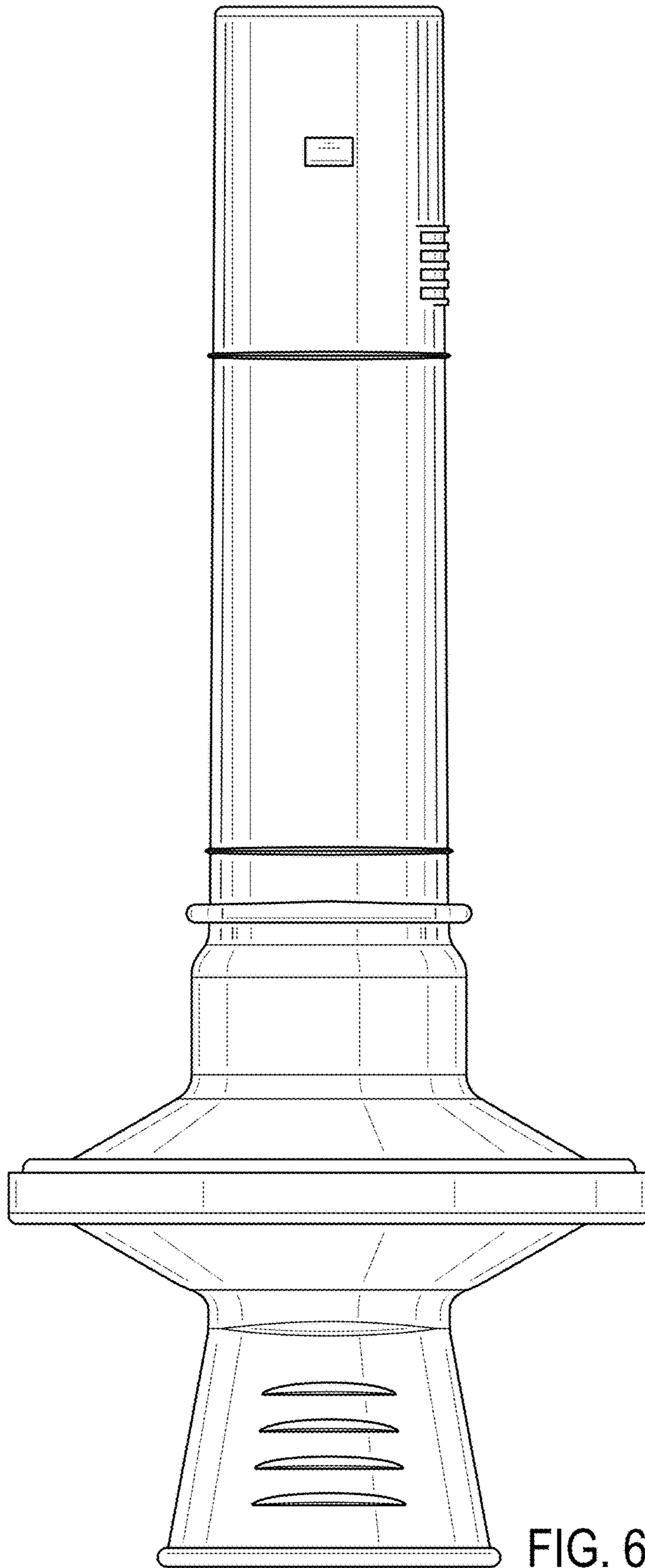


FIG. 6

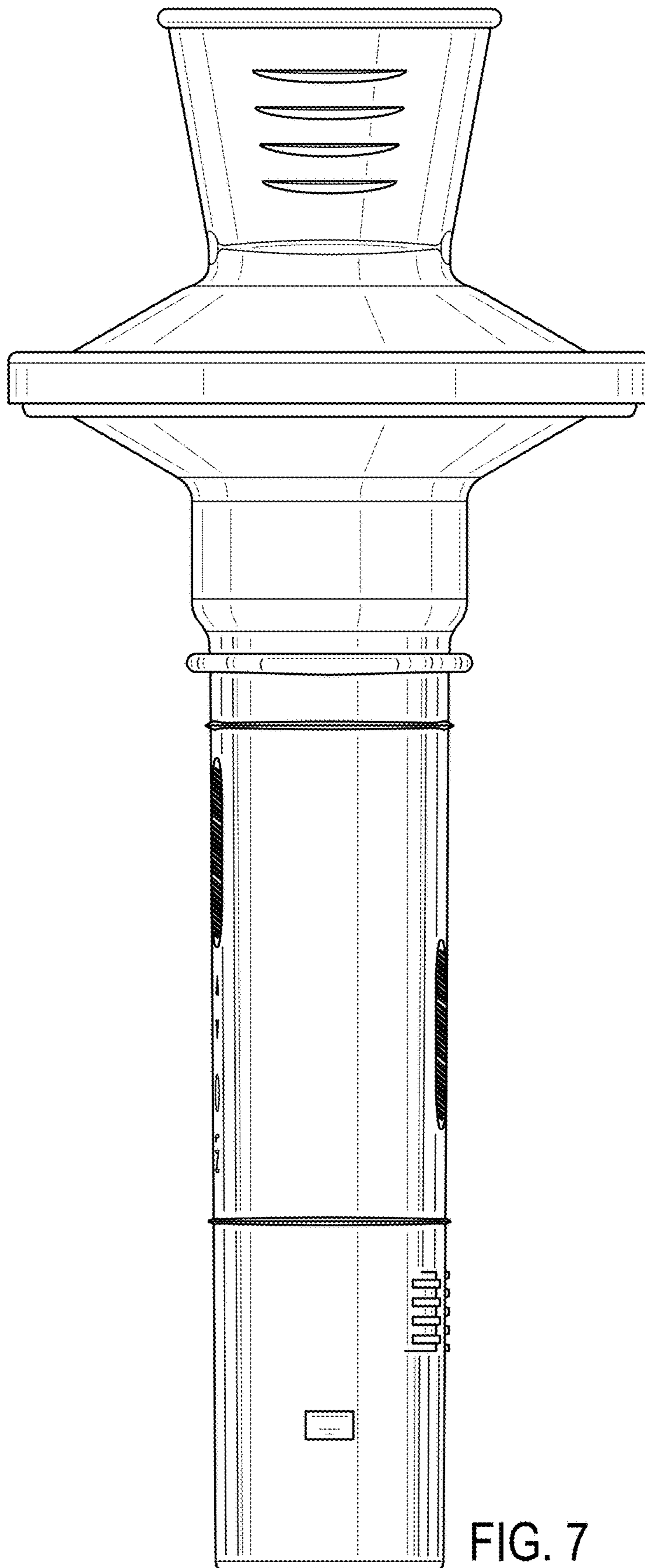


FIG. 7