



US00D775727S

(12) **United States Design Patent**  
**Khaw**

(10) **Patent No.:** **US D775,727 S**  
(45) **Date of Patent:** **\*\* Jan. 3, 2017**

- (54) **GRIPPERS**
- (71) Applicant: **UCL Business PLC**, London (GB)
- (72) Inventor: **Peng Tee Khaw**, London (GB)
- (73) Assignee: **UCL Business PLC**, London (GB)
- (\*\*) Term: **15 Years**
- (21) Appl. No.: **29/536,793**
- (22) Filed: **Aug. 19, 2015**
- (30) **Foreign Application Priority Data**
- Feb. 25, 2015 (GB) ..... 4039839
- (51) **LOC (10) Cl.** ..... **24-02**
- (52) **U.S. Cl.**
- USPC ..... **D24/143**
- (58) **Field of Classification Search**
- USPC ..... D24/143, 146-147, 133; D28/55
- CPC ..... A61B 17/29; A61B 17/30; A61B 17/50;
- A61B 18/085; B25B 9/02; A45D 26/0066;
- A45D 26/0076; G04D 1/02
- See application file for complete search history.

- 4,257,406 A \* 3/1981 Schenk ..... A61B 17/30  
600/219
- 4,844,065 A \* 7/1989 Faulkner ..... A61B 17/30  
606/107
- 2010/0092918 A1\* 4/2010 Muller ..... A61B 17/30  
433/159

**FOREIGN PATENT DOCUMENTS**

KR 300846695.0000 \* 11/2014

\* cited by examiner

*Primary Examiner* — Wan Laymon

(74) *Attorney, Agent, or Firm* — Frommer Lawrence & Haug LLP; William S. Frommer

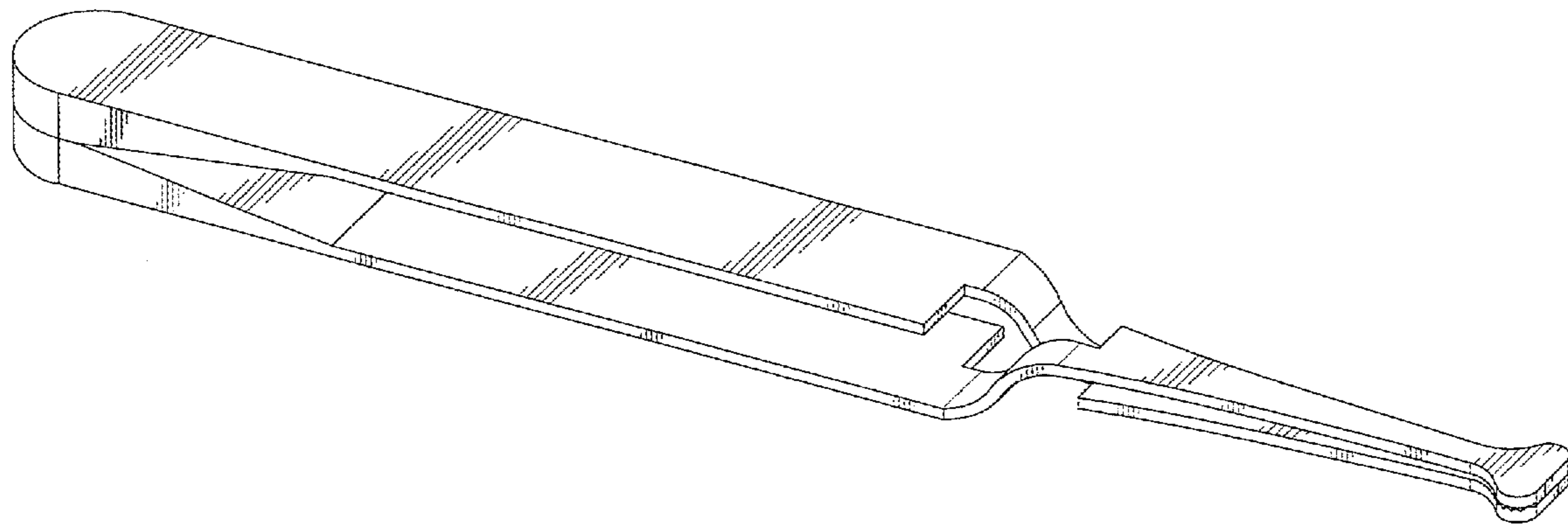
(57) **CLAIM**

The ornamental design for a grippers, as shown and described.

**DESCRIPTION**

- FIG. 1 : is a perspective view of the grippers according to my invention;
- FIG. 2 : is a front view thereof;
- FIG. 3 : is a rear view thereof;
- FIG. 4 : is a right side view thereof;
- FIG. 5 : is a left side view thereof;
- FIG. 6 : is a top plan view thereof; and,
- FIG. 7 : is a bottom plan view thereof.

**1 Claim, 3 Drawing Sheets**



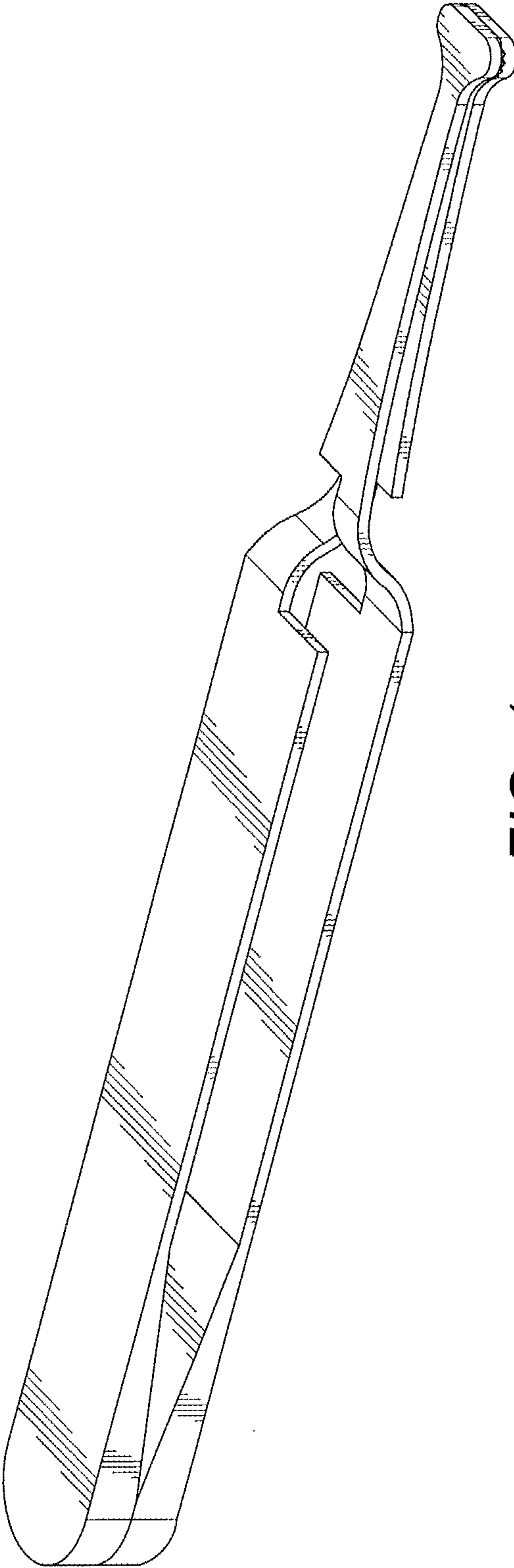


FIG. 1

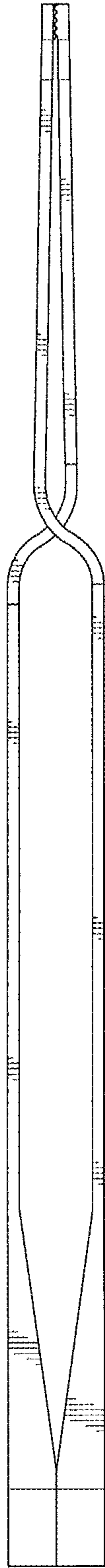


FIG. 2

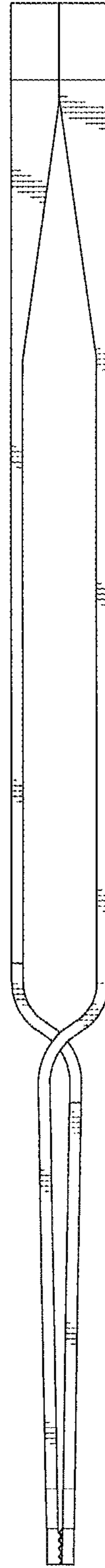


FIG. 3

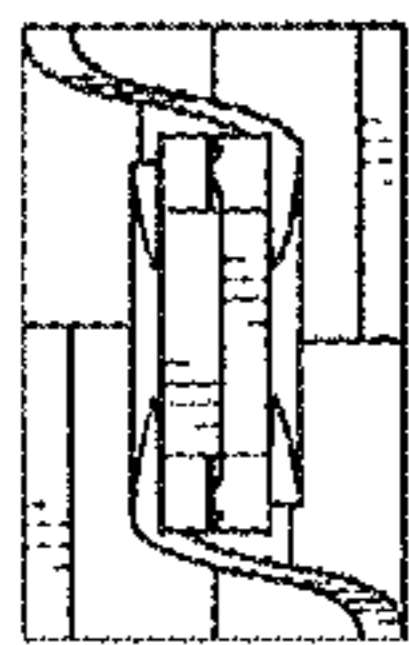


FIG. 4

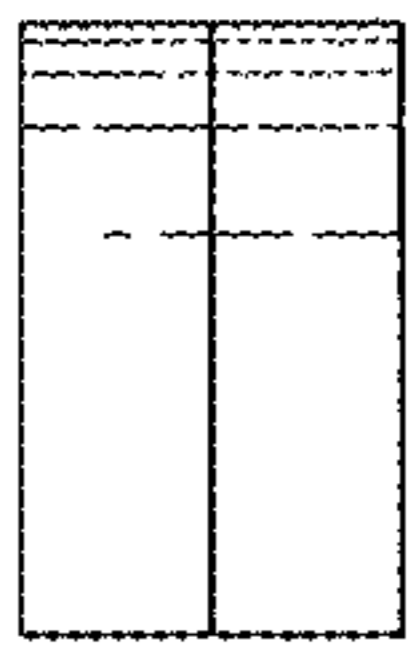


FIG. 5

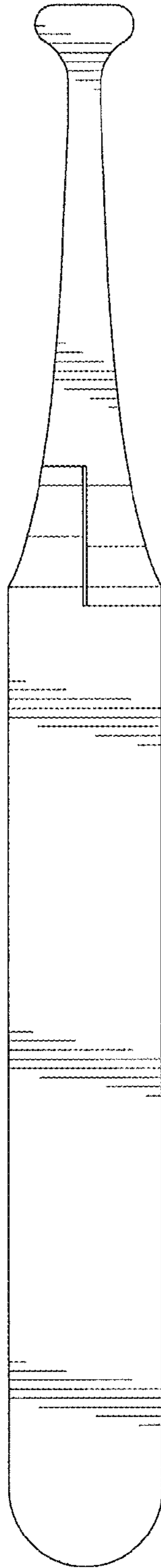


FIG. 6

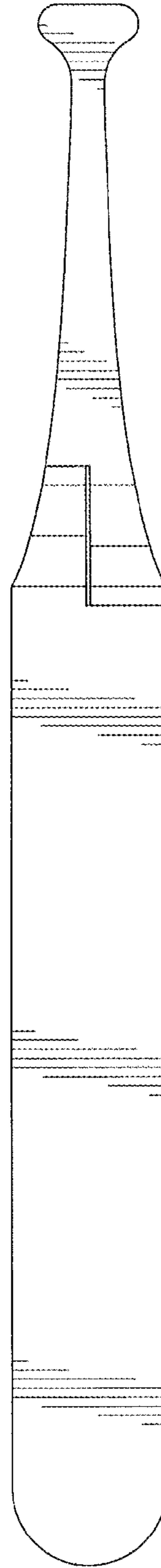


FIG. 7