



US00D775726S

(12) **United States Design Patent**
Giancursio, II et al.

(10) **Patent No.:** **US D775,726 S**
(45) **Date of Patent:** **** Jan. 3, 2017**

- (54) **TOXICOLOGY CUP LID**
- (71) Applicant: **PRG Technologies Inc.**, Tustin, CA
(US)
- (72) Inventors: **Thomas Joseph Giancursio, II**, Tustin, CA (US); **Jesse Clemmer**, Huntington Beach, CA (US)
- (73) Assignee: **PRG Technologies, Inc.**, Tustin, CA (US)
- (**) Term: **15 Years**
- (21) Appl. No.: **29/538,092**
- (22) Filed: **Sep. 1, 2015**
- (51) **LOC (10) Cl.** **24-04**
- (52) **U.S. Cl.**
USPC **D24/121**
- (58) **Field of Classification Search**
USPC ... D24/121, 123, 224; 604/317-325; D9/453
CPC B65D 41/04; B65D 2251/023; B65D 41/0485; B65D 41/3428
See application file for complete search history.

- 7,607,547 B2 * 10/2009 Kumata B65D 41/3428
215/252
- D610,700 S * 2/2010 Khoury D24/121
- D620,590 S * 7/2010 Wan D24/121
- 8,231,020 B2 * 7/2012 Taber B65D 41/04
215/228
- D668,778 S * 10/2012 Motadel D24/224
- D687,304 S * 8/2013 Tanner D24/121
- 8,695,821 B2 * 4/2014 Bashyam B65D 41/0485
215/252
- D717,469 S * 11/2014 Nemeth D24/224
- D723,919 S * 3/2015 Taber D9/438

* cited by examiner

Primary Examiner — David Muller

(57) **CLAIM**

The ornamental design for a toxicology cup lid, as shown and described.

DESCRIPTION

FIG. 1 is a front perspective view of the toxicology cup lid; FIG. 2 is a bottom perspective view thereof; FIG. 3 is a left side elevation view thereof; FIG. 4 is a bottom plan view thereof; FIG. 5 is a right side elevation view thereof; FIG. 6 is a top plan view thereof; FIG. 7 is a front elevation view thereof; FIG. 8 is a rear elevation view thereof; and, FIG. 9 is a front perspective view thereof showing an example cup.

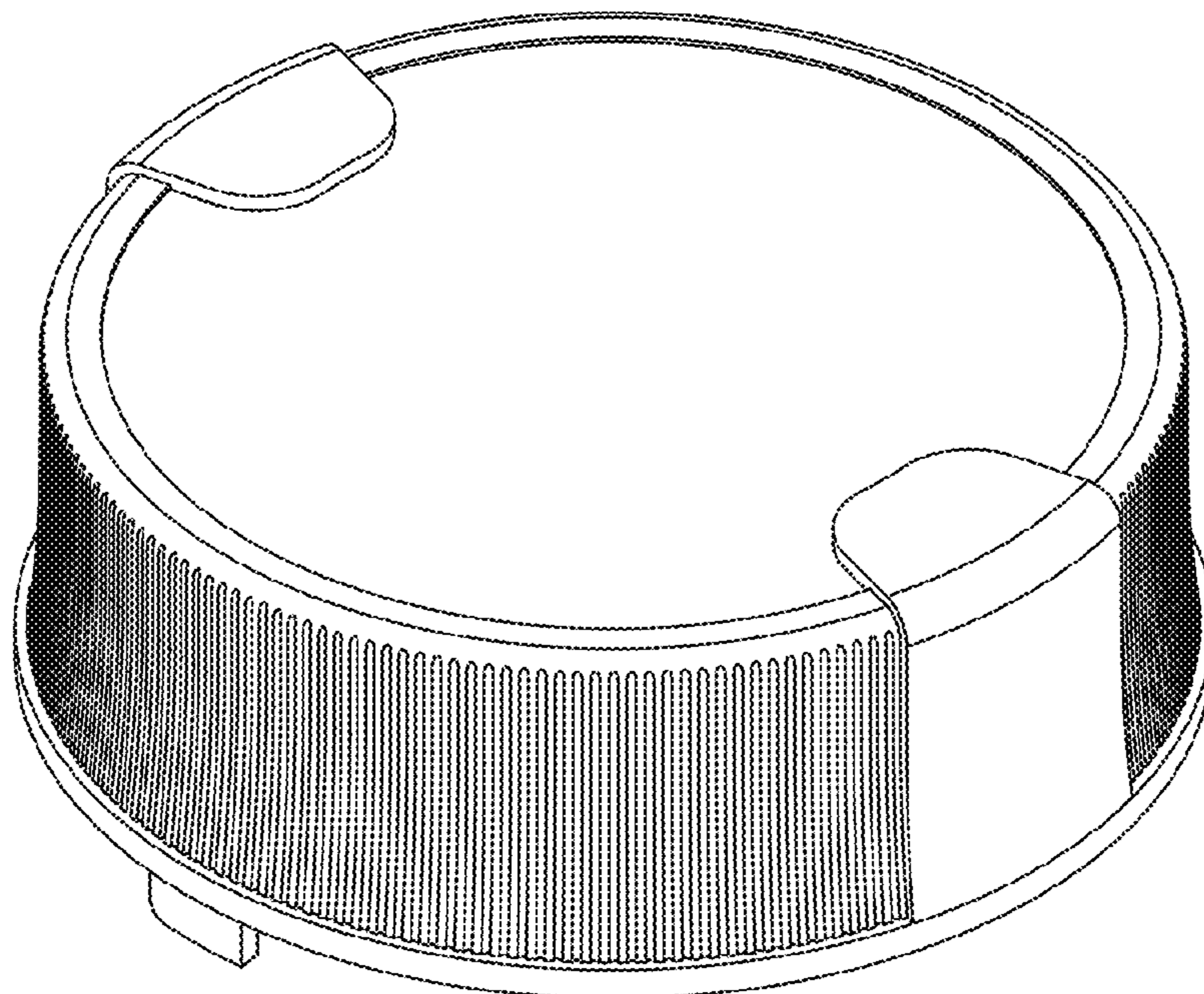
The features shown in broken lines depict environmental structure only and form no part of the claimed design.

1 Claim, 9 Drawing Sheets

(56) **References Cited**

U.S. PATENT DOCUMENTS

- D418,419 S * 1/2000 Briere D9/438
- D513,585 S * 1/2006 Biesecker D9/449
- D533,781 S * 12/2006 Freisem D9/449
- 7,556,163 B2 * 7/2009 Brant B65D 41/04
215/305



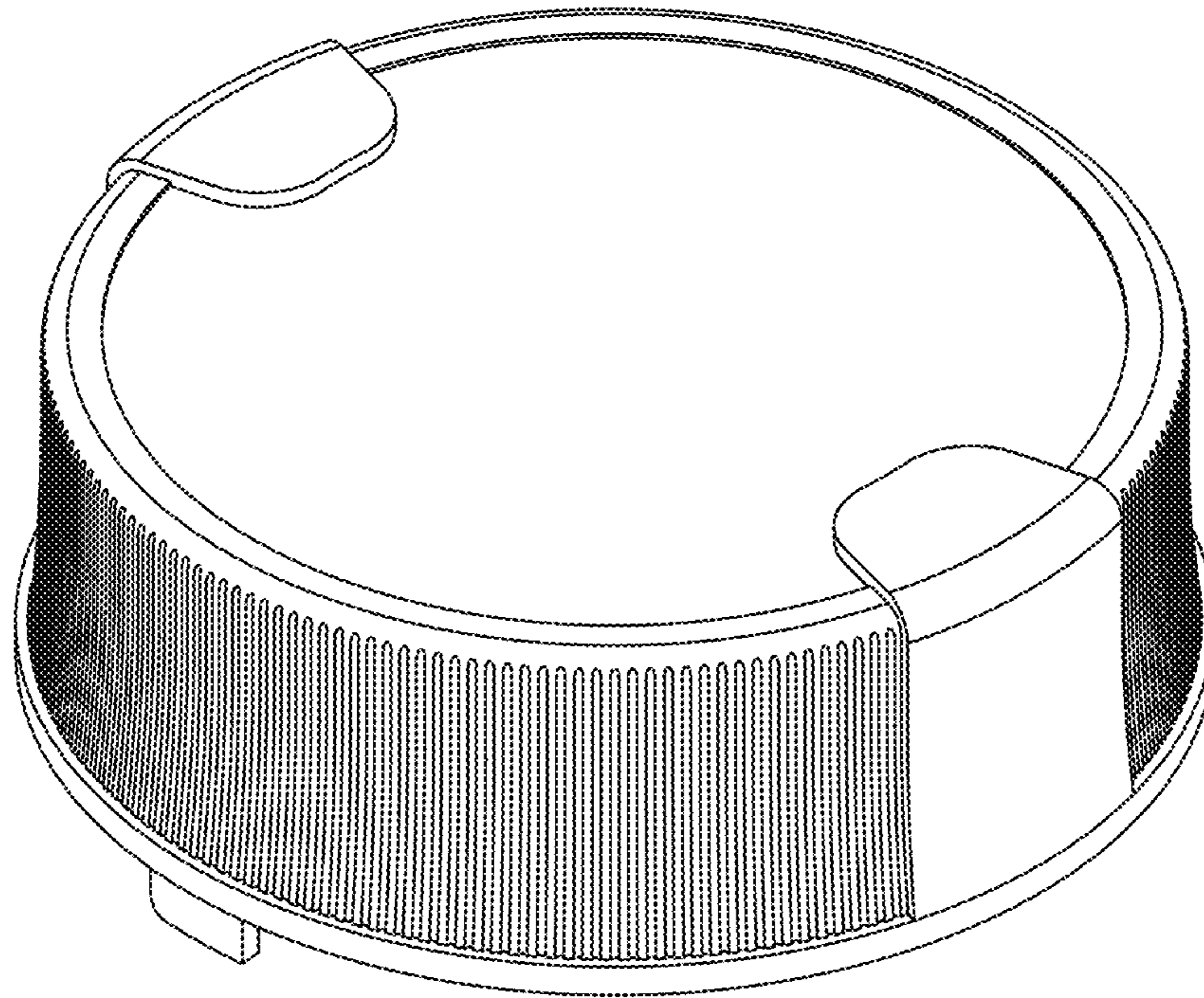


FIG. 1

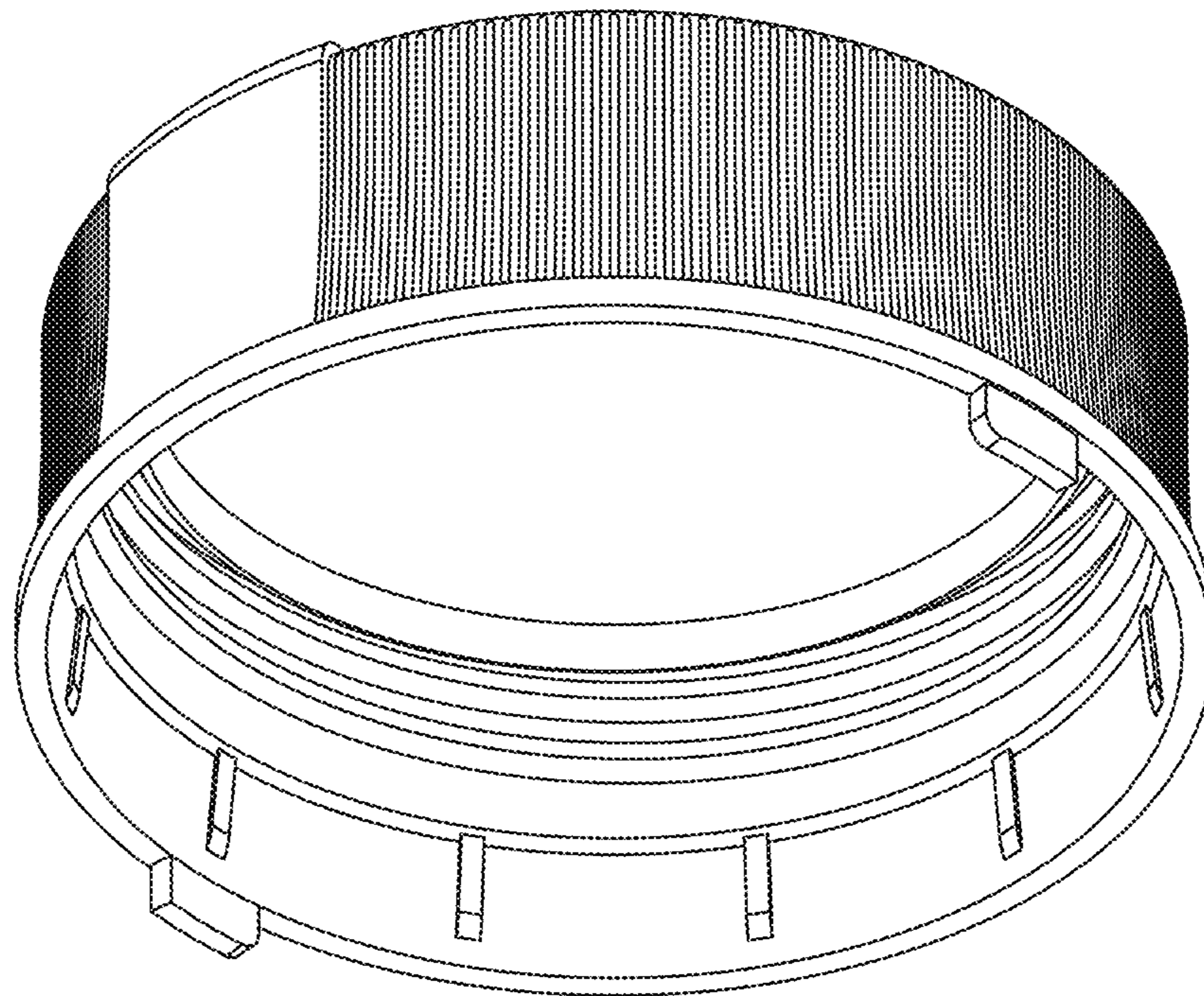


FIG. 2

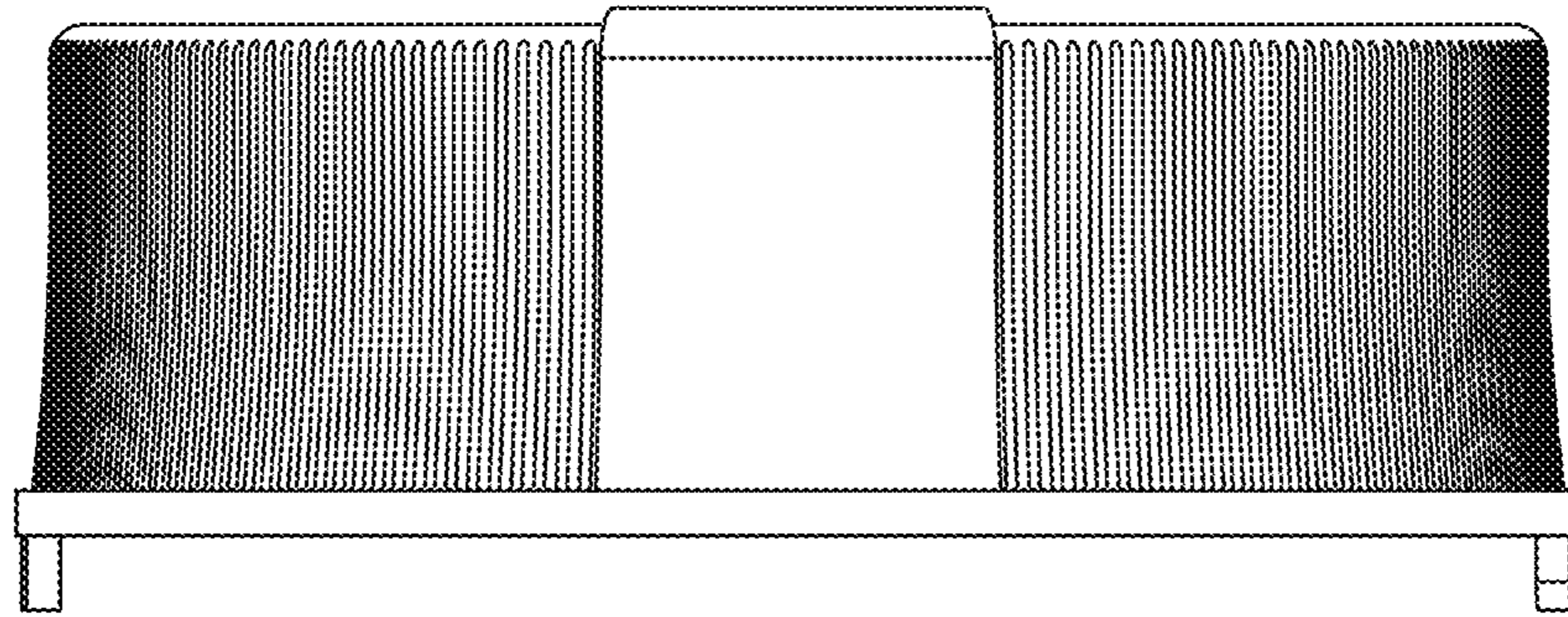


FIG. 3

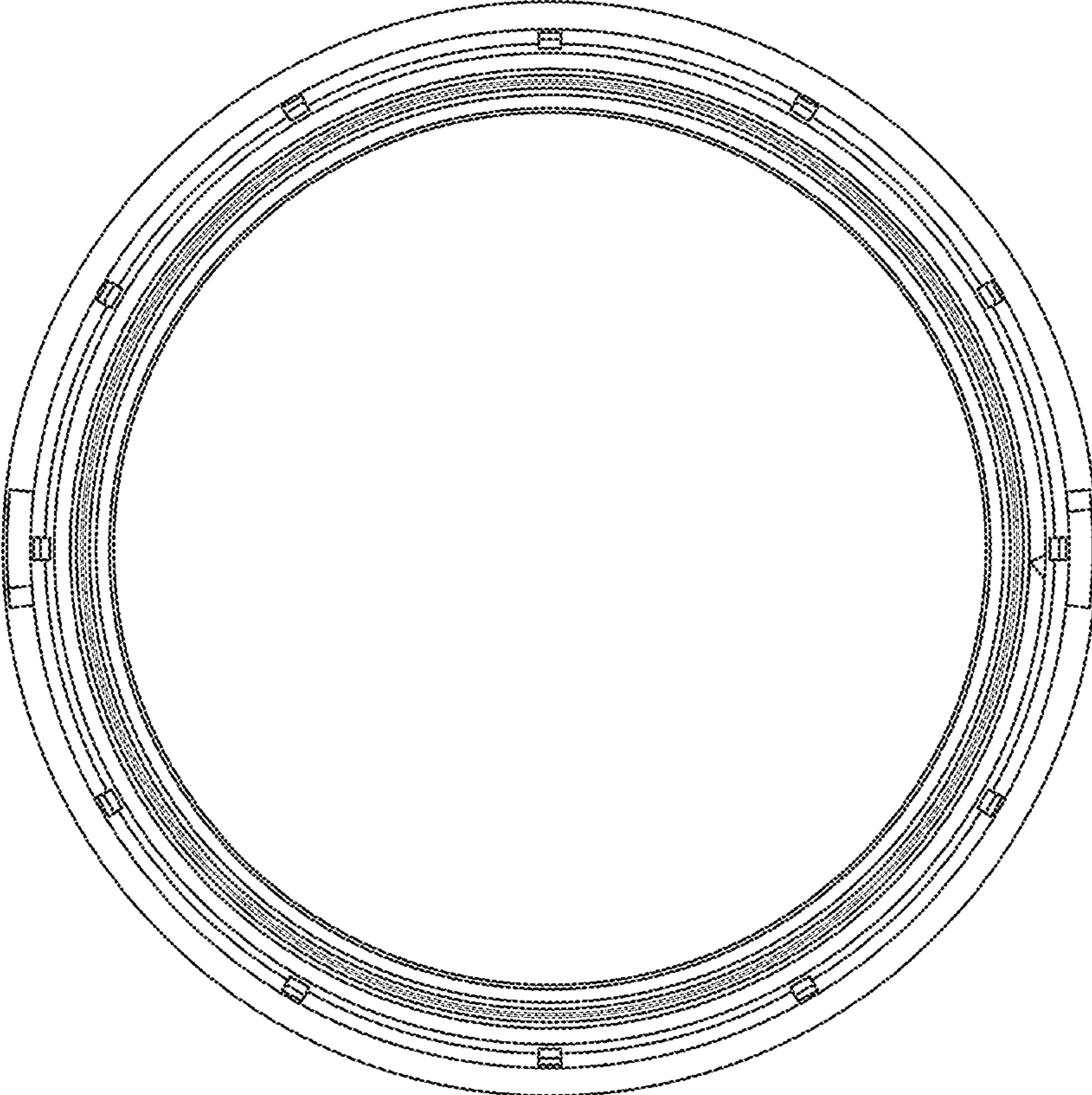


FIG. 4

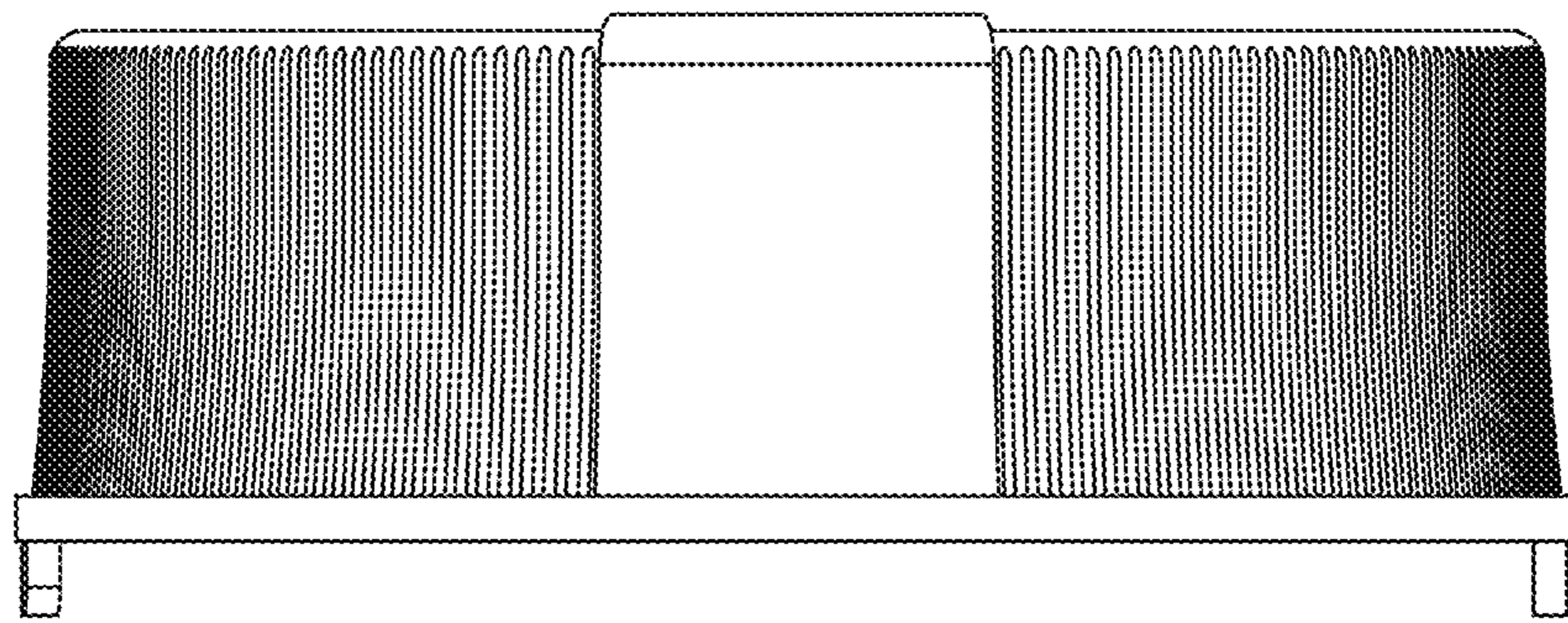


FIG. 5

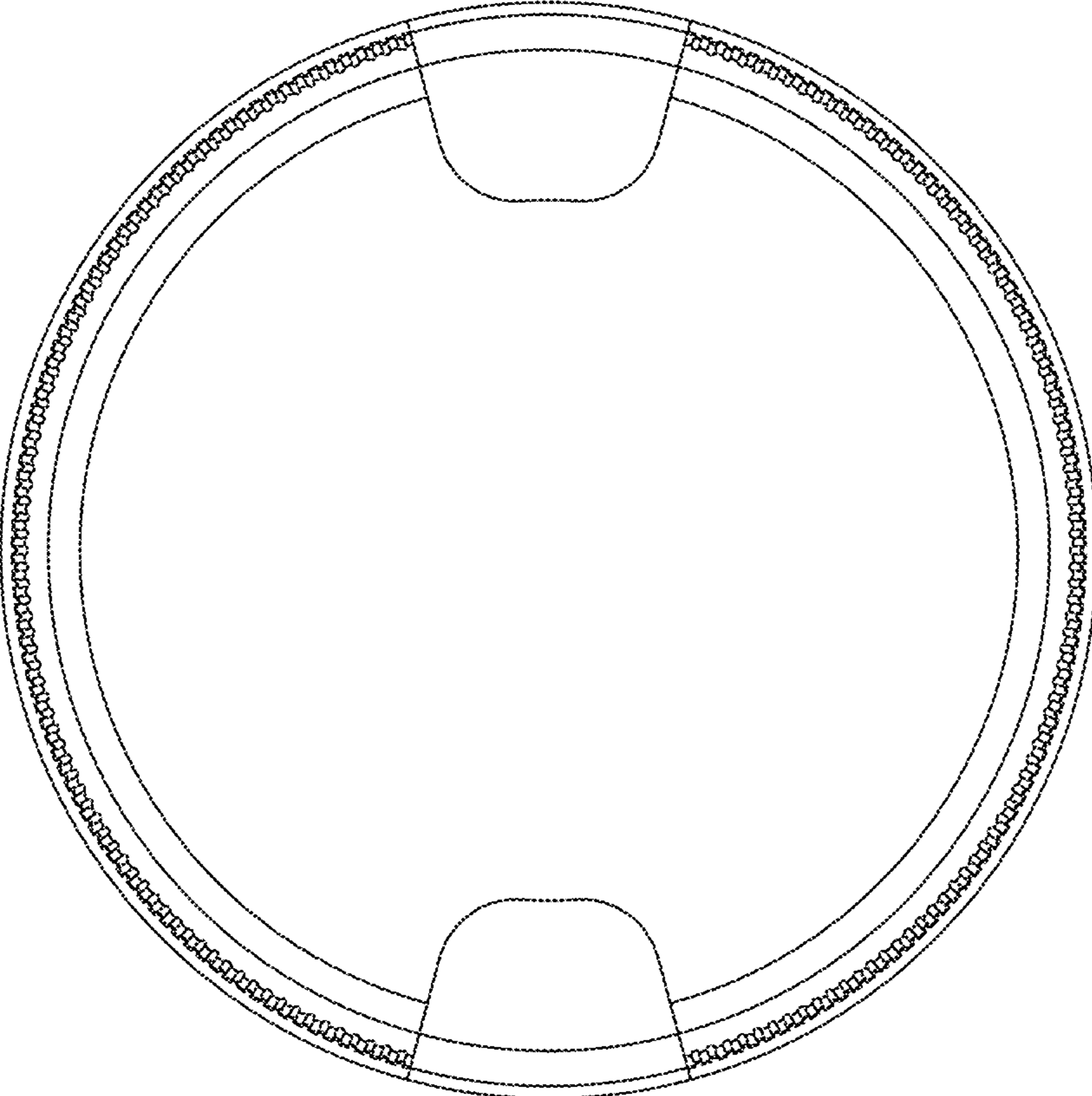


FIG. 6

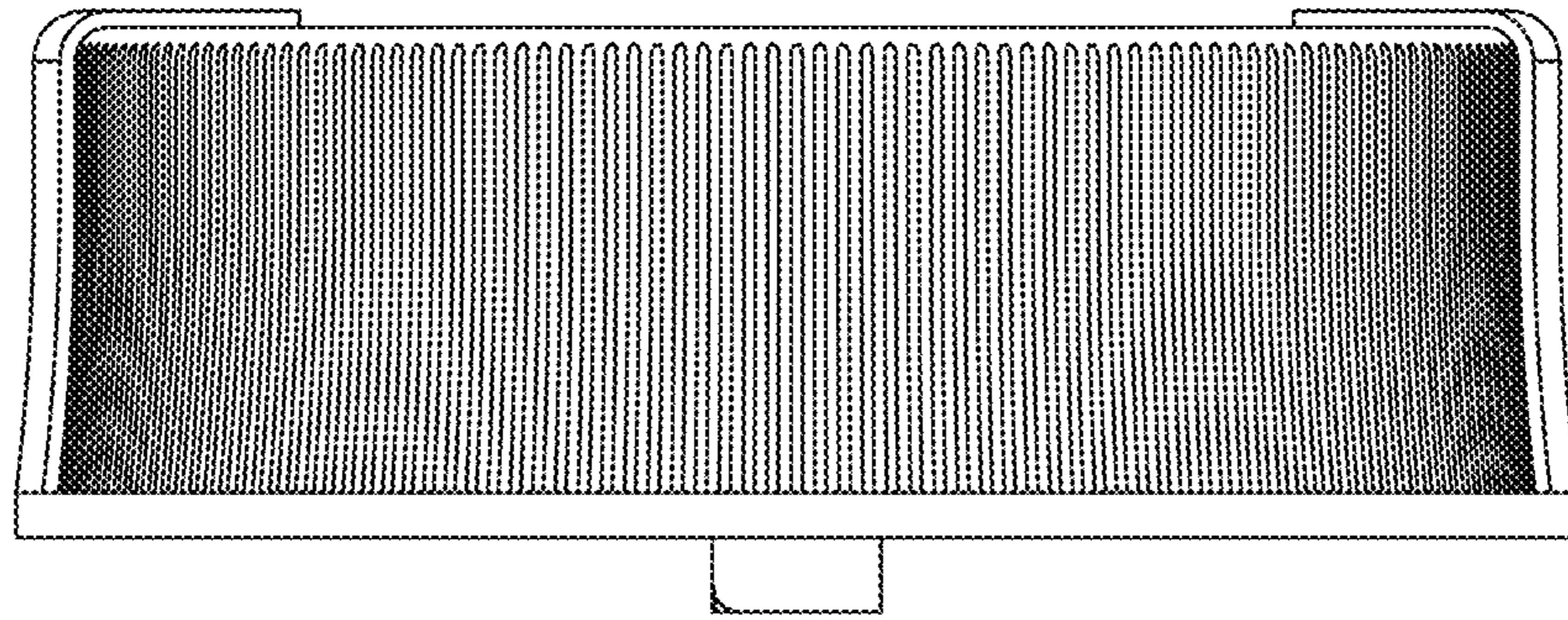


FIG. 7

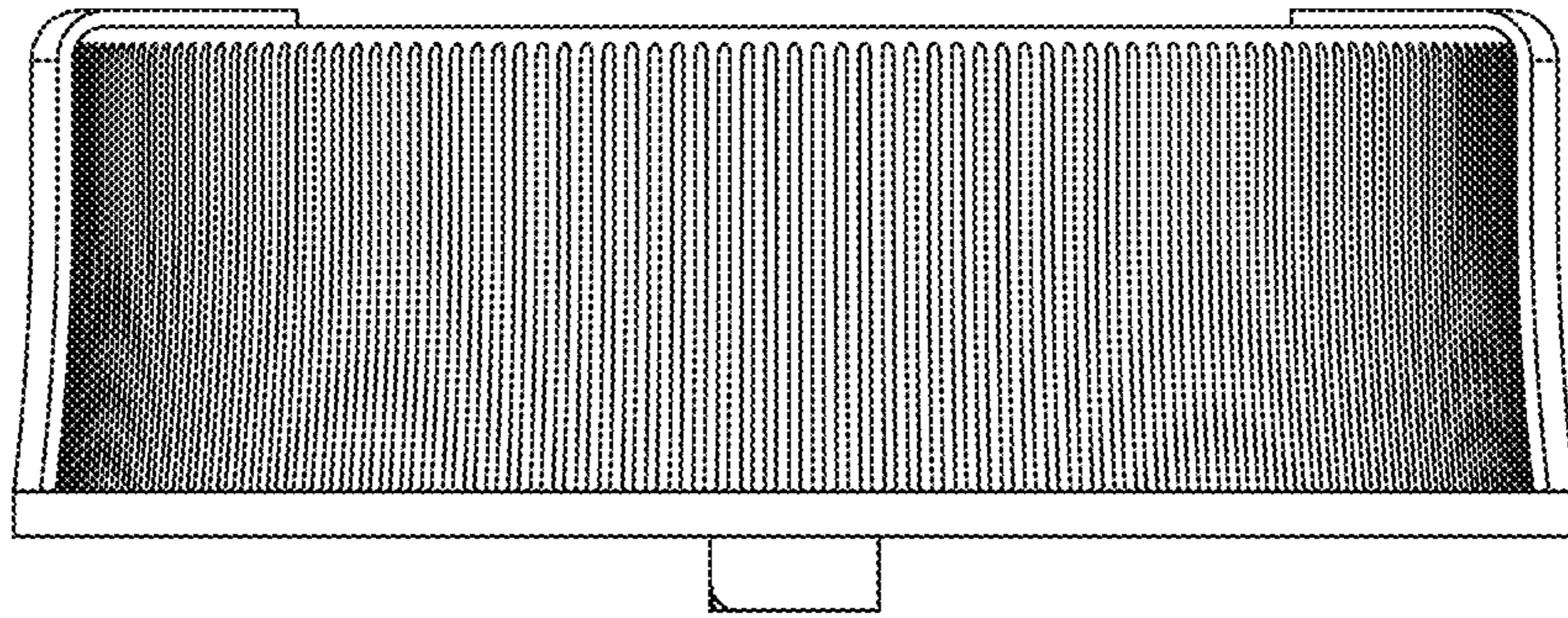


FIG. 8

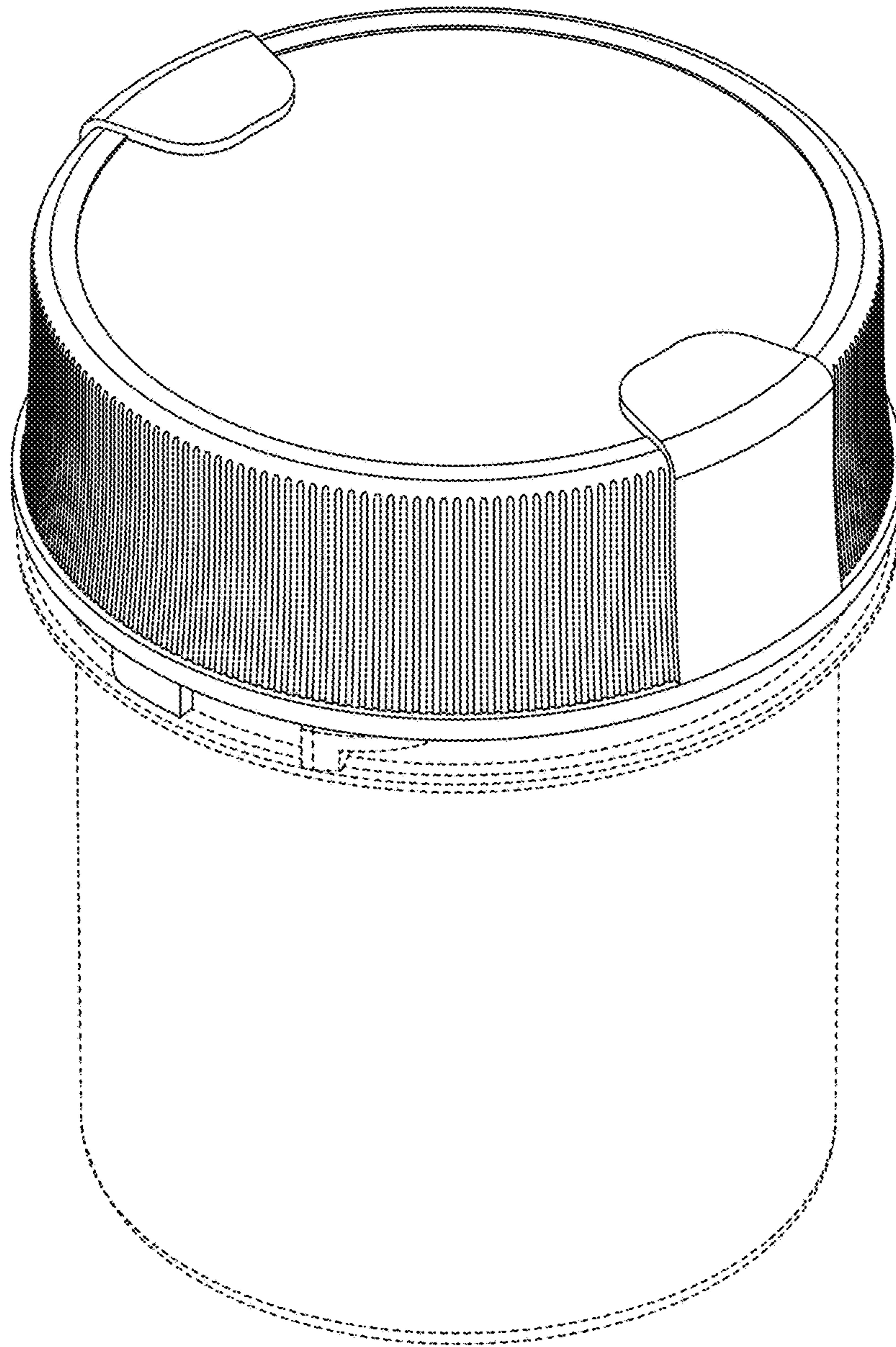


FIG. 9