



US00D775724S

(12) **United States Design Patent** (10) **Patent No.:** **US D775,724 S**
Pagliari et al. (45) **Date of Patent:** **** Jan. 3, 2017**

(54) **ORAL DEBRIS EXTRACTOR**

FOREIGN PATENT DOCUMENTS

(71) Applicants: **Vincent Dario Pagliacci**, Grimsby (CA); **Linda Marie Pagliacci**, Grimsby (CA)

BR MU8902154-1 U2 2/2011

(72) Inventors: **Vincent Dario Pagliacci**, Grimsby (CA); **Linda Marie Pagliacci**, Grimsby (CA)

OTHER PUBLICATIONS

“Baby Age”, First Appendix, April issue in 1996, p. 16. Design Division of the Japan Patent Office: Publicly known material No. HA08006552.

(**) Term: **14 Years**

Primary Examiner — David Muller

(21) Appl. No.: **29/498,549**

Assistant Examiner — Nathan Johnston

(22) Filed: **Aug. 5, 2014**

(74) *Attorney, Agent, or Firm* — Ledgley Law; Cynthia J. Ledgley

(30) **Foreign Application Priority Data**

Feb. 27, 2014 (CA) 155505

(51) **LOC (10) Cl.** **24-02**

(52) **U.S. Cl.**
USPC **D24/115**

(58) **Field of Classification Search**
USPC D24/115, 117, 223, 226, 108, 176, D24/194–197; 222/209, 207, 215, 541.6, 541.4, 222/541.9; D9/695–699, 529; 206/528; 604/3, 604/298, 35, 36, 37, 93.01, 94.01, 95.01–95.03, 604/60, 275; 128/200.24
CPC A61M 1/0011; A61M 3/0262; A61M 2205/075

See application file for complete search history.

(56) **References Cited**

U.S. PATENT DOCUMENTS

D56,613 S * 11/1920 Holtz D24/114
2,029,483 A 2/1936 Holland
3,391,696 A 7/1968 Woodward
D224,655 S * 8/1972 Dragan D24/112
3,746,033 A 7/1973 Keiper, II
D299,866 S * 2/1989 Alexander D24/115
D320,852 S * 10/1991 Drumm D24/114
D324,267 S * 2/1992 Smitt D24/112
D390,959 S * 2/1998 Mesaros D24/186

(Continued)

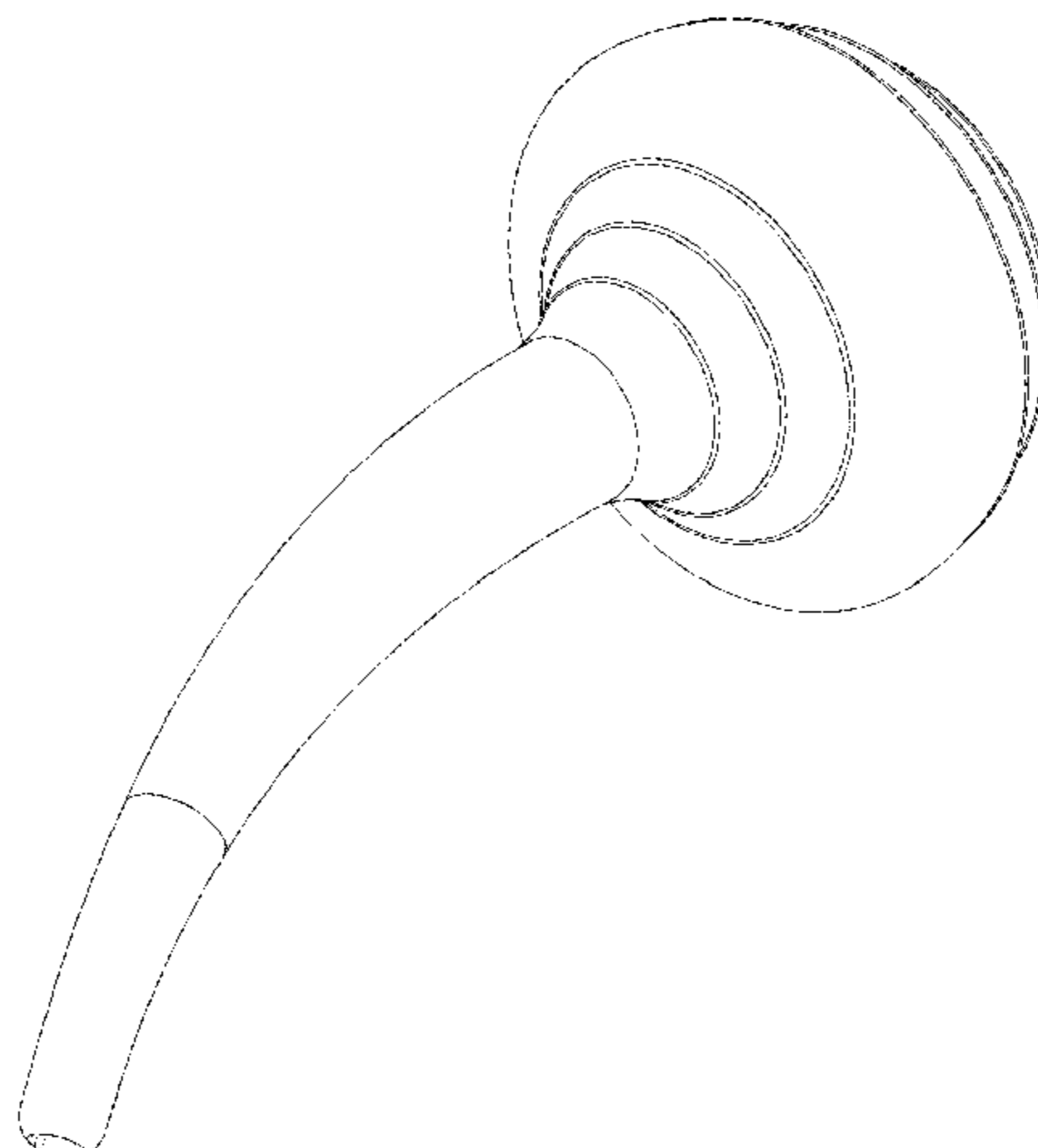
(57) **CLAIM**

We claim the ornamental design for an oral debris extractor, as shown and described.

DESCRIPTION

FIG. 1 is a top perspective view of a first embodiment of an oral debris extractor showing our new design; FIG. 2 is a bottom perspective view thereof; FIG. 3 is a right side elevation view thereof; FIG. 4 is a left side elevation view thereof; FIG. 5 is a top plan view thereof; FIG. 6 is a front elevation view thereof; FIG. 7 is a bottom plan view thereof; FIG. 8 is a back elevation view thereof; FIG. 9 is a front perspective view of a second embodiment of an oral debris extractor showing our new design; FIG. 10 is a rear perspective view thereof; FIG. 11 is a right side elevation view thereof; FIG. 12 is a left side elevation view thereof; FIG. 13 is a top plan view thereof; FIG. 14 is a front plan view thereof; FIG. 15 is a bottom plan view thereof; and, FIG. 16 is a back elevation view thereof.

1 Claim, 8 Drawing Sheets



(56)

References Cited

U.S. PATENT DOCUMENTS

5,848,993 A * 12/1998 Tanhehco A61M 1/0011
604/212
6,422,866 B2 * 7/2002 Dragan 215/252
7,300,424 B1 11/2007 Mulford
D602,591 S * 10/2009 Cheetham D24/176
D643,530 S * 8/2011 Ramstad D24/133
D657,877 S * 4/2012 Pauser D24/176
D676,194 S * 2/2013 Biegel D28/7
8,425,479 B2 4/2013 Ho
2007/0255290 A1 11/2007 Pan
2007/0284400 A1 * 12/2007 Pierson A61O 5/062
222/541.9
2011/0184427 A1 7/2011 McClure
2013/0090665 A1 4/2013 Linde et al.

* cited by examiner

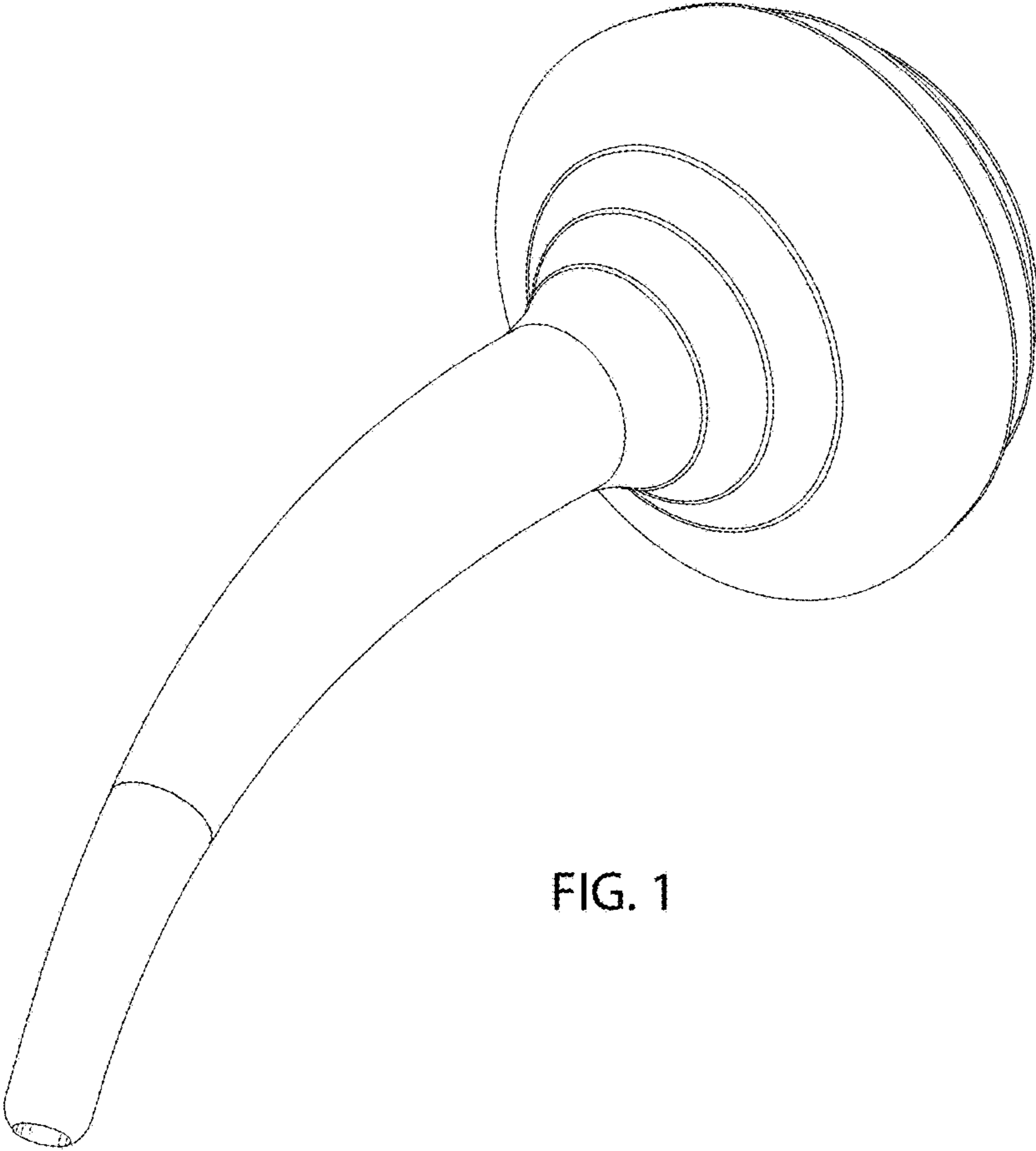


FIG. 1

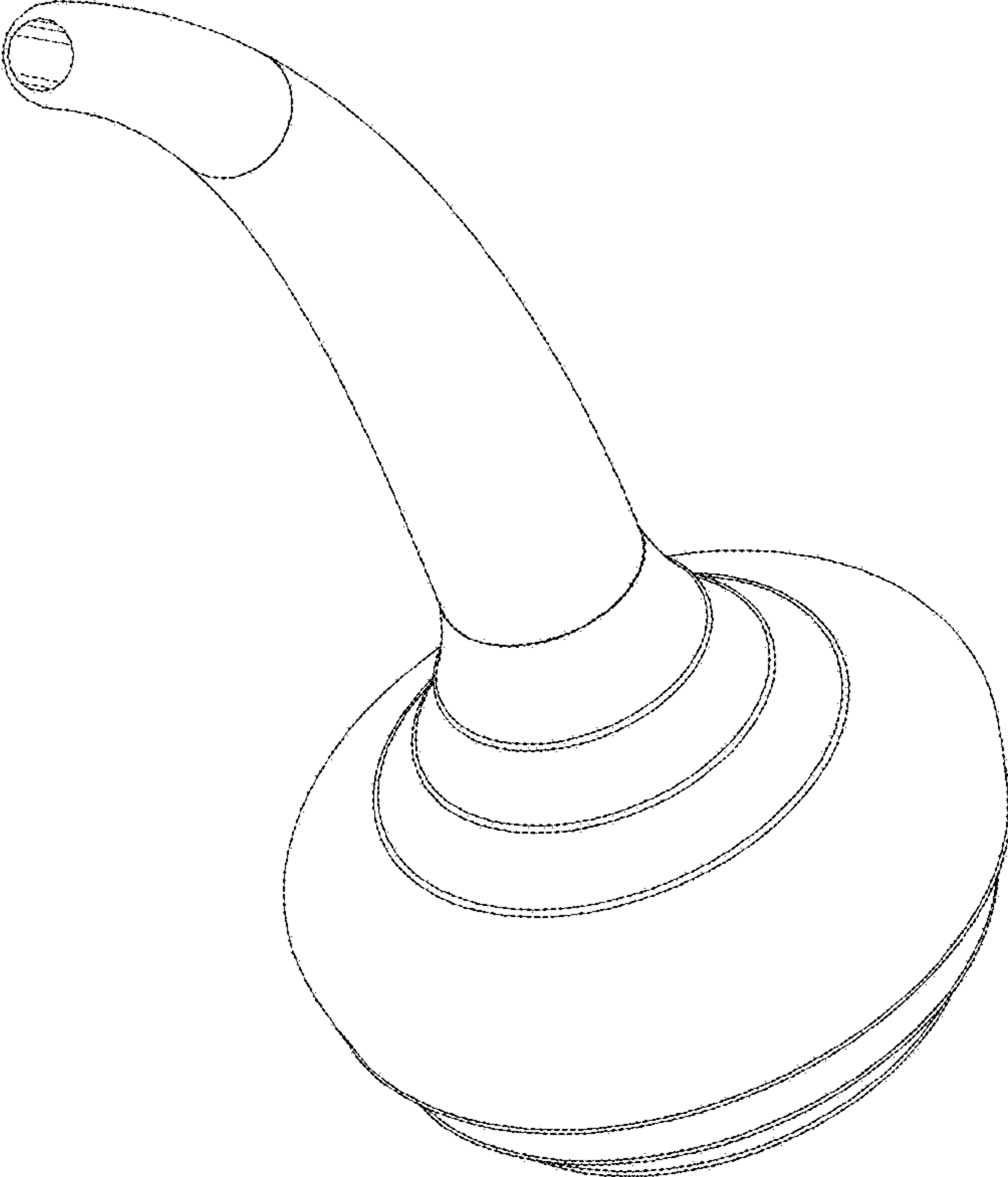


FIG. 2

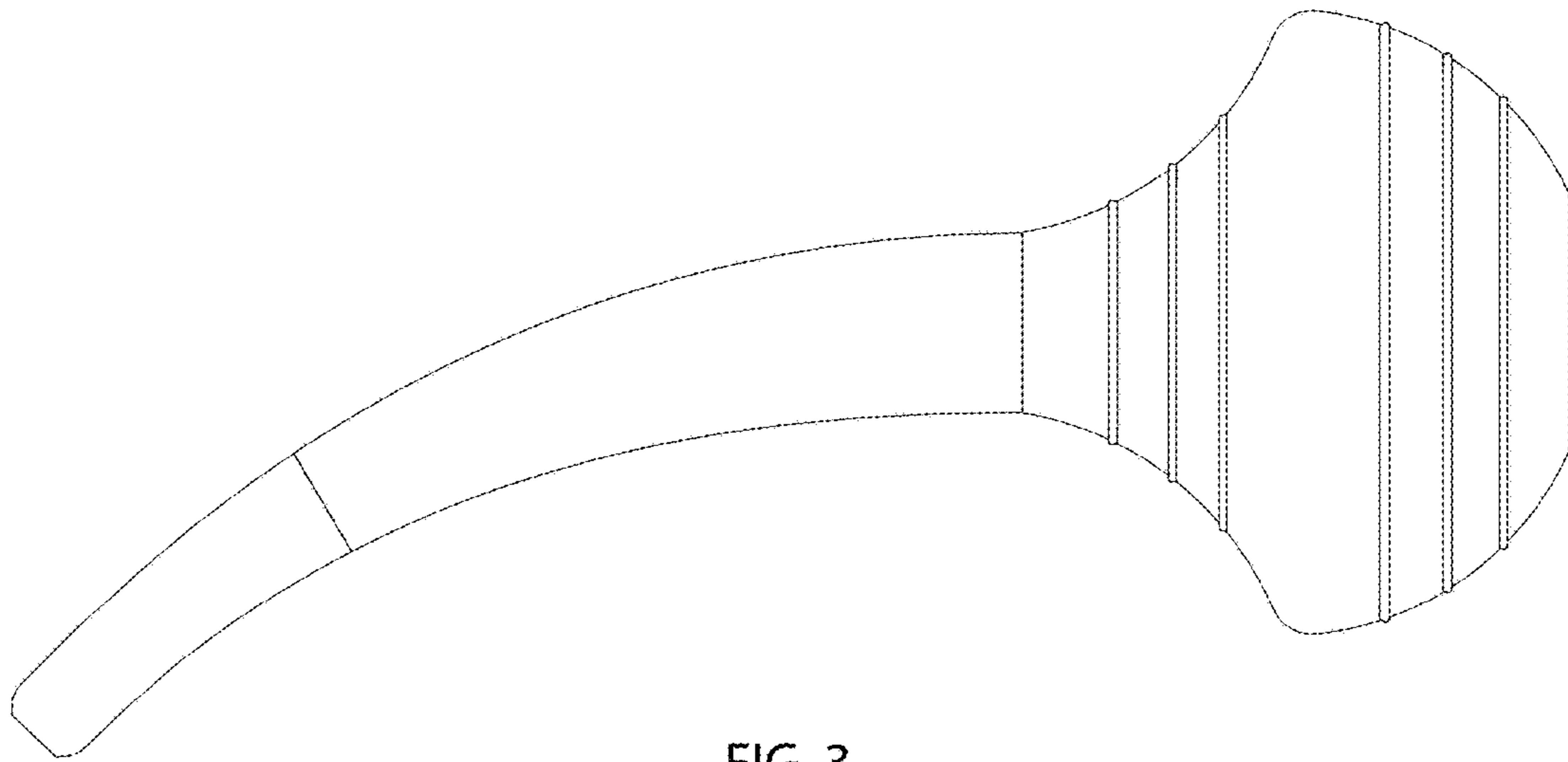


FIG. 3

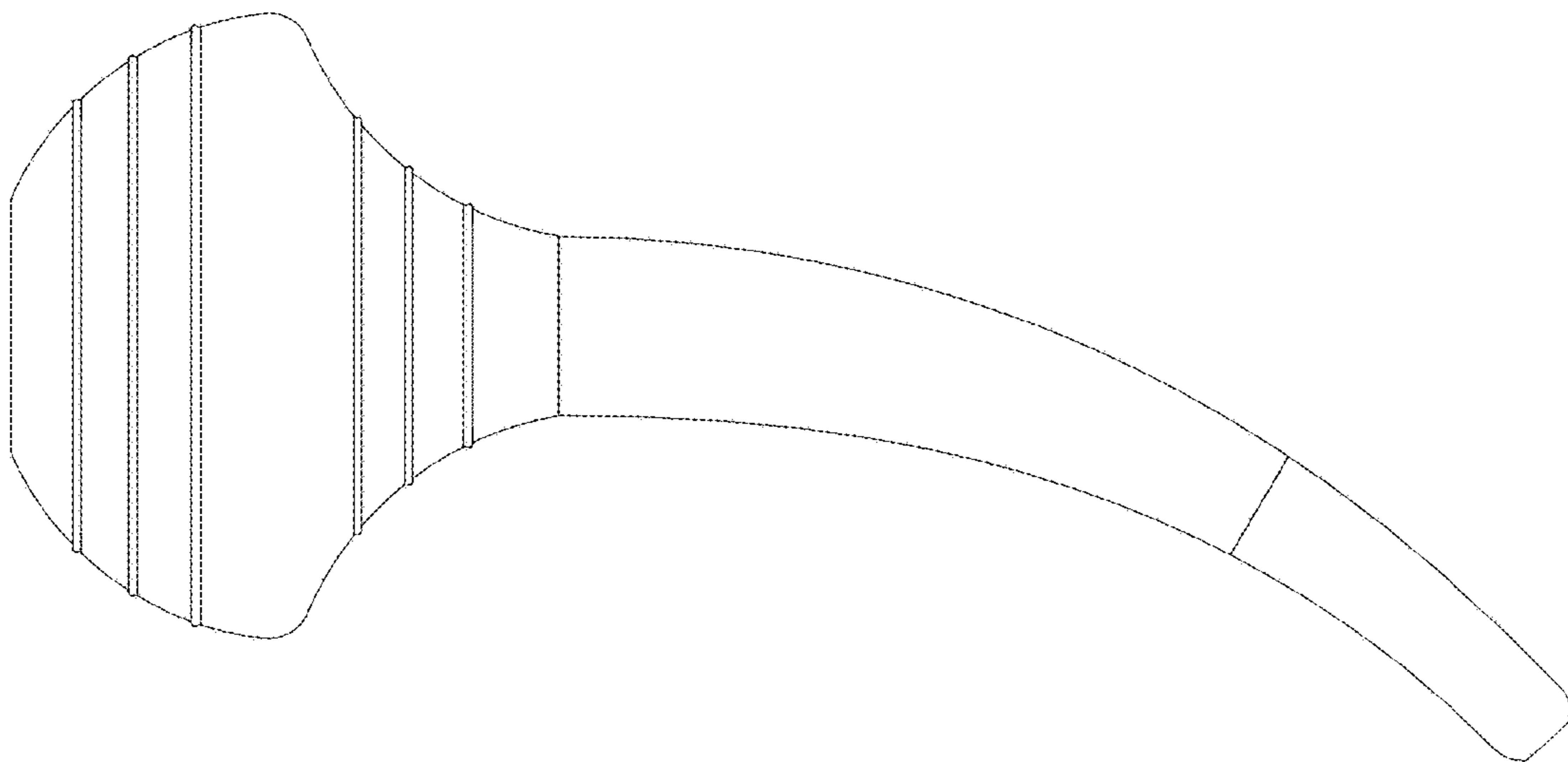


FIG. 4

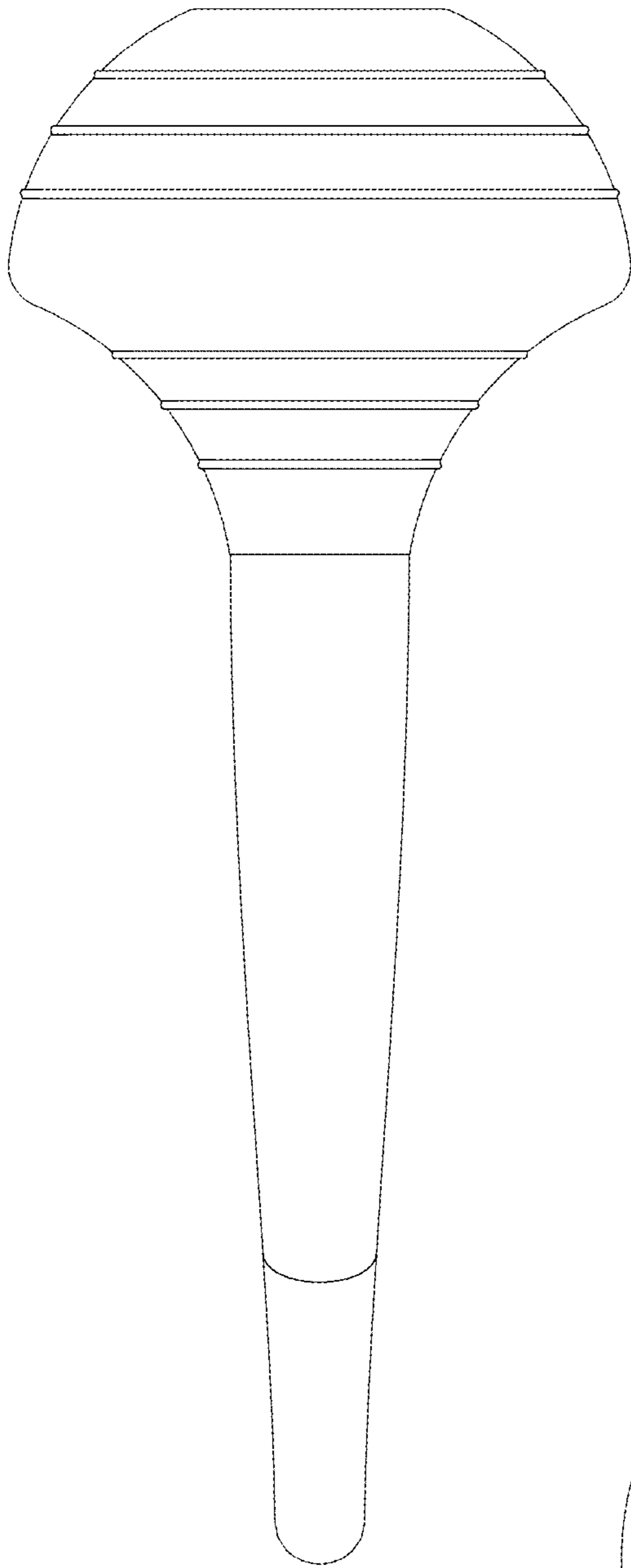


FIG. 5

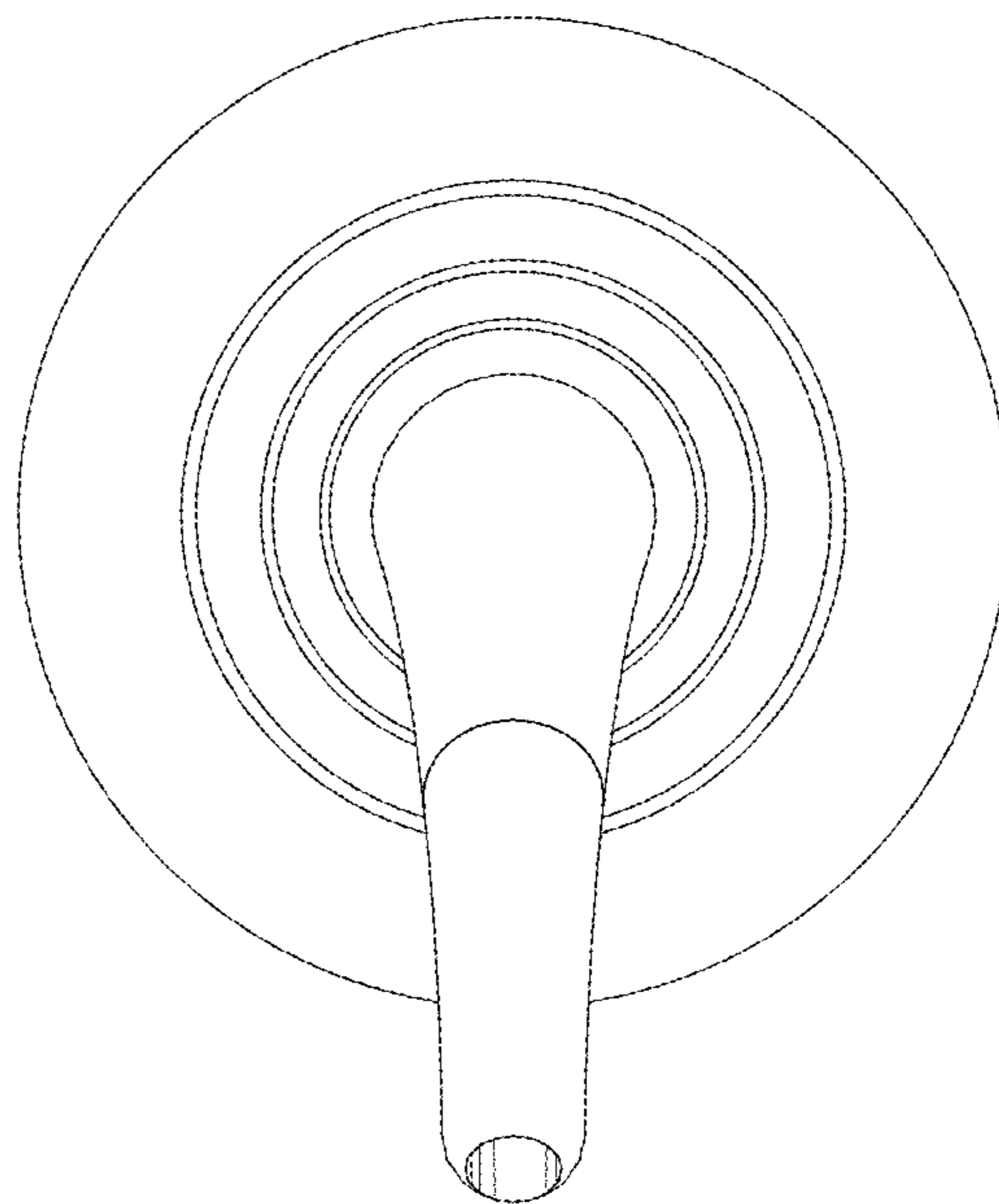


FIG. 6

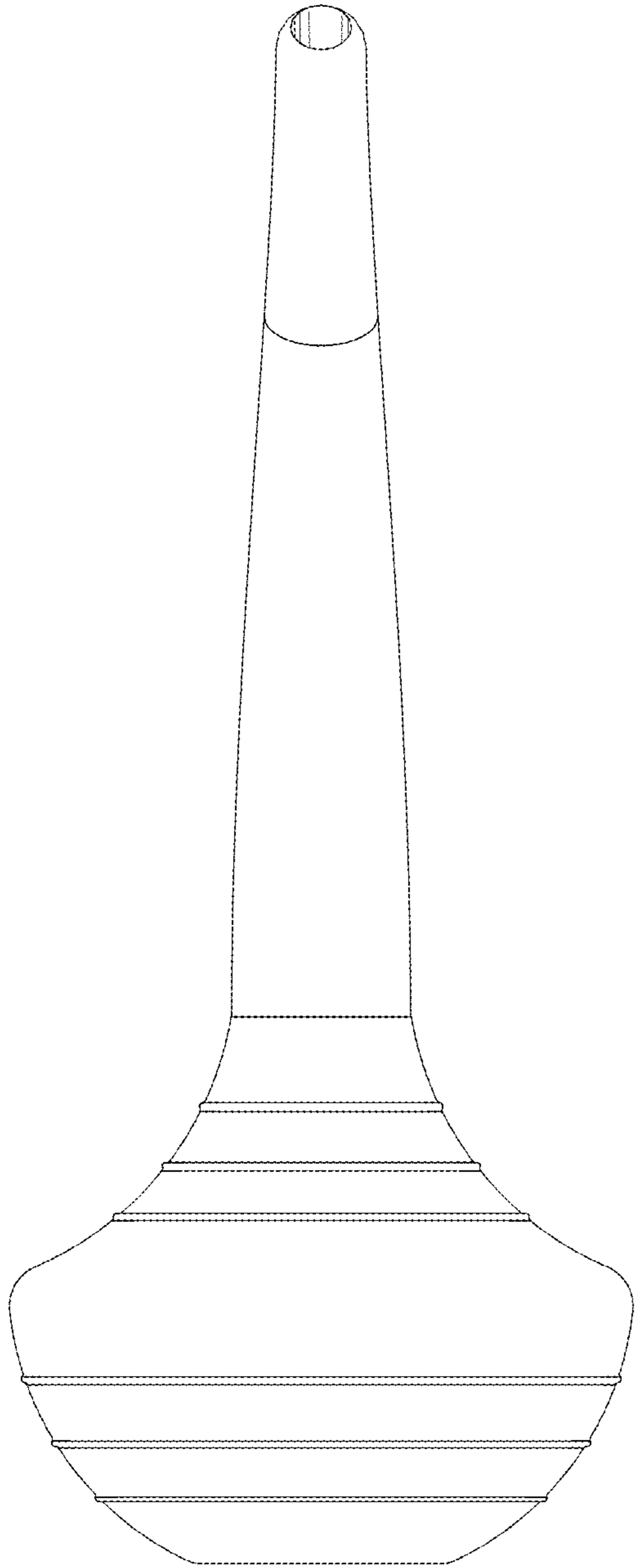


FIG. 7

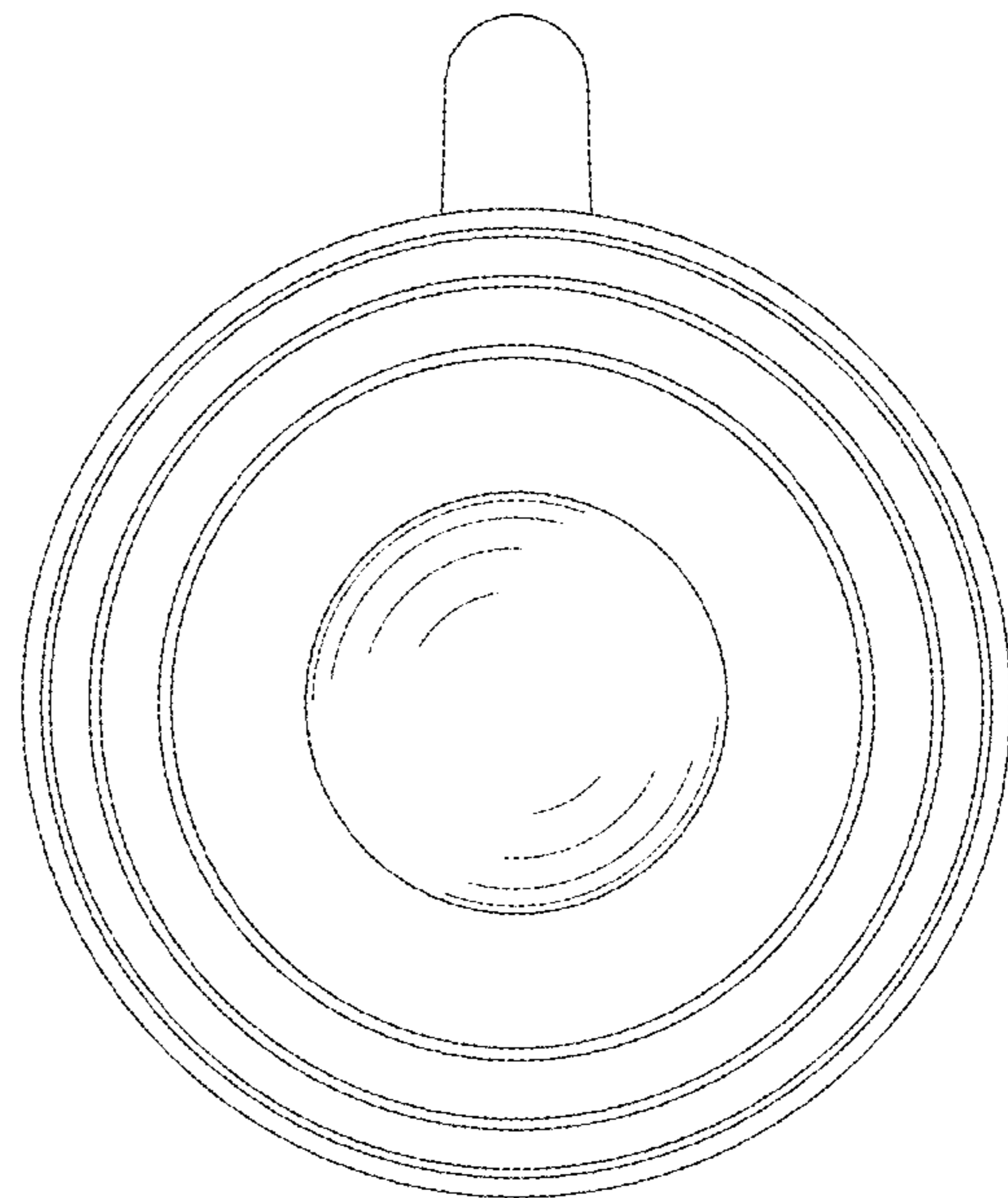


FIG. 8

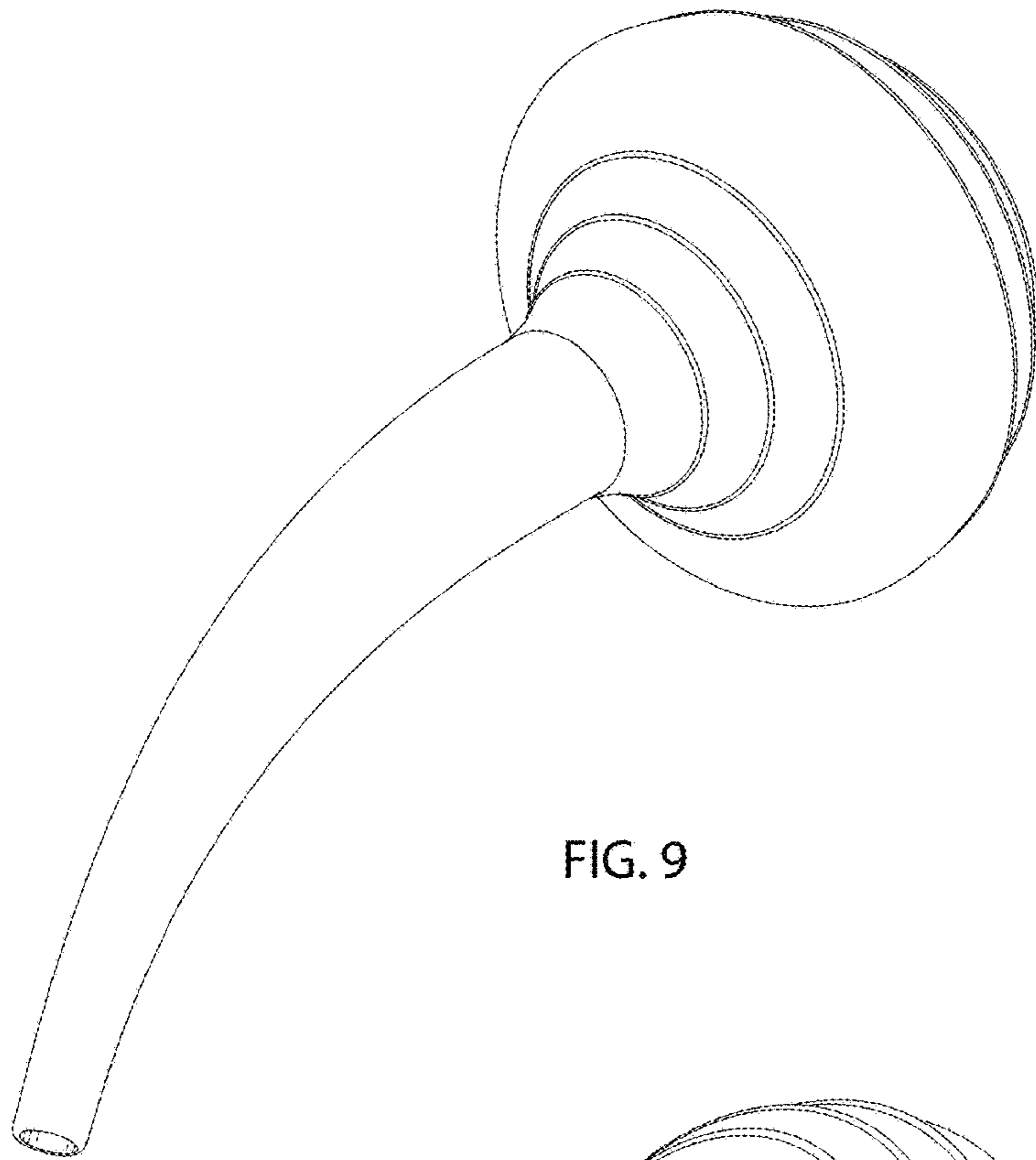


FIG. 9

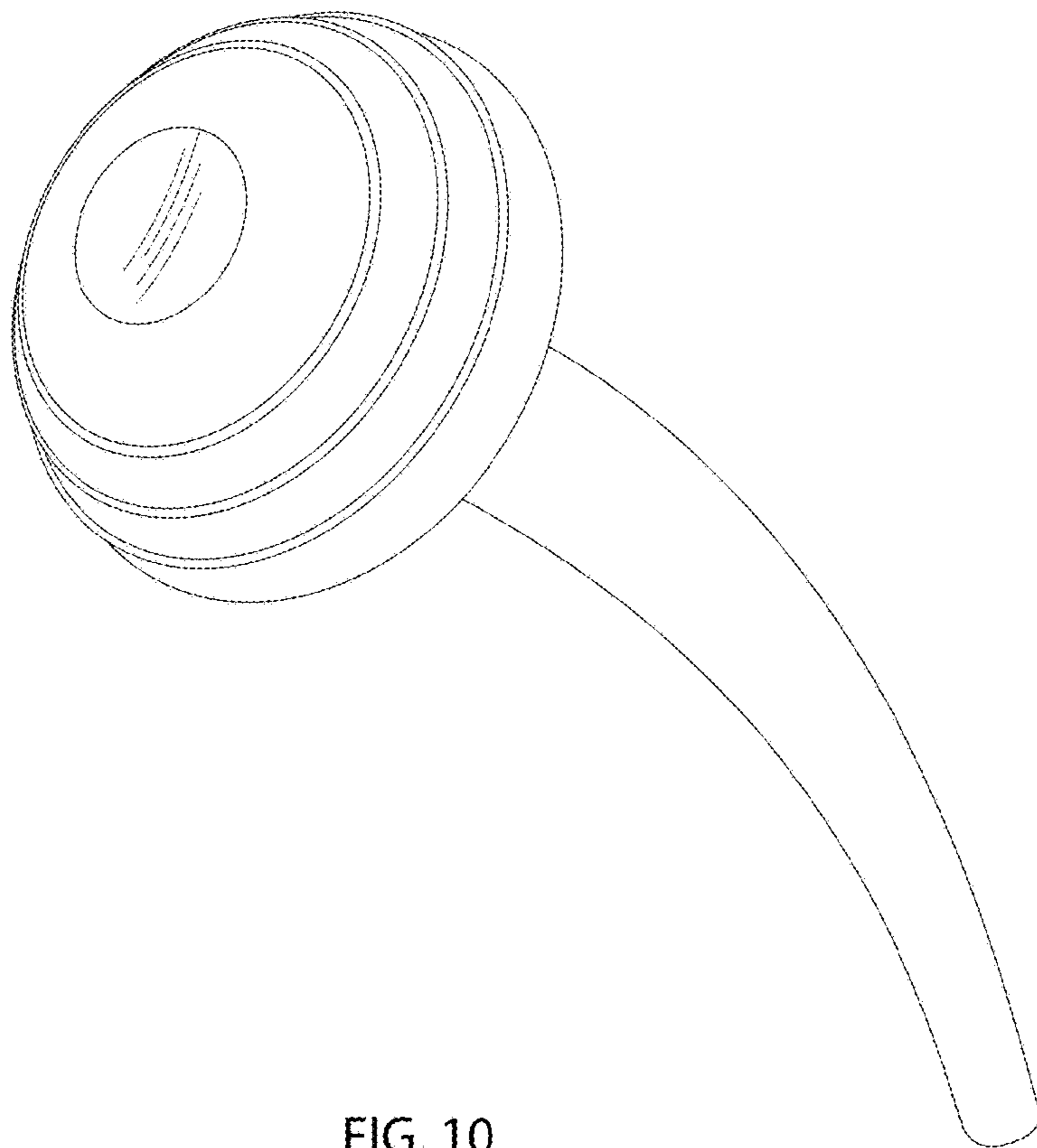


FIG. 10

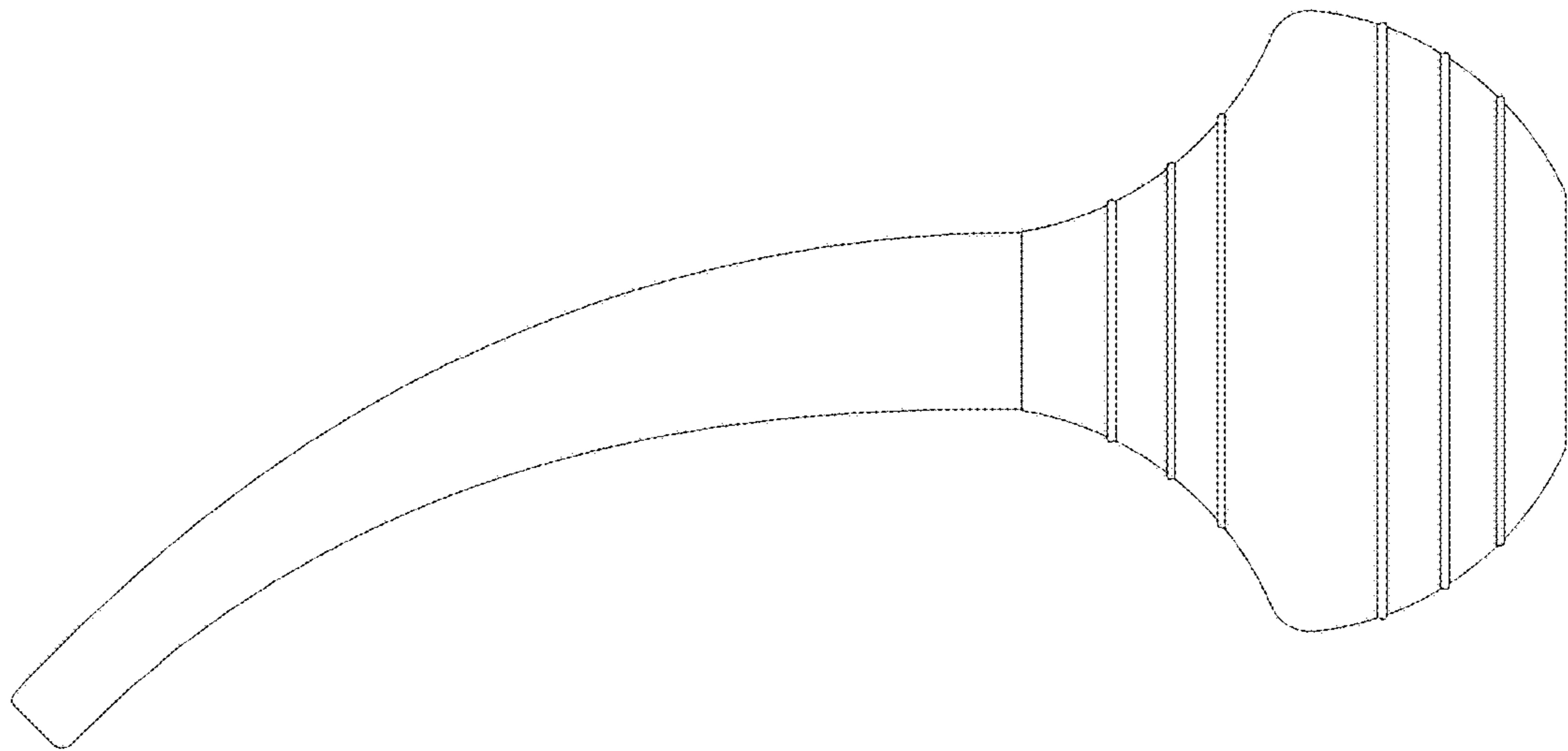


FIG. 11

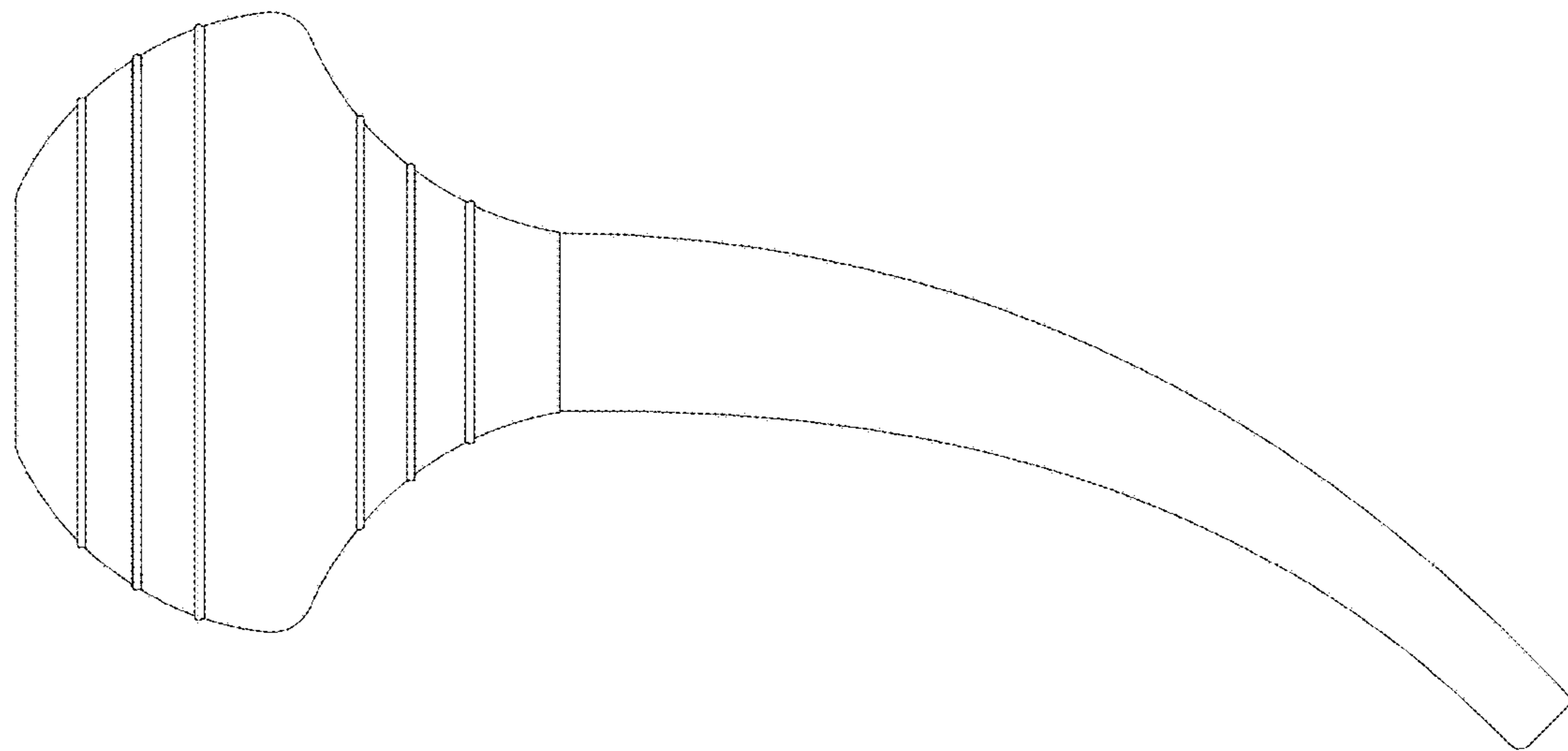


FIG. 12

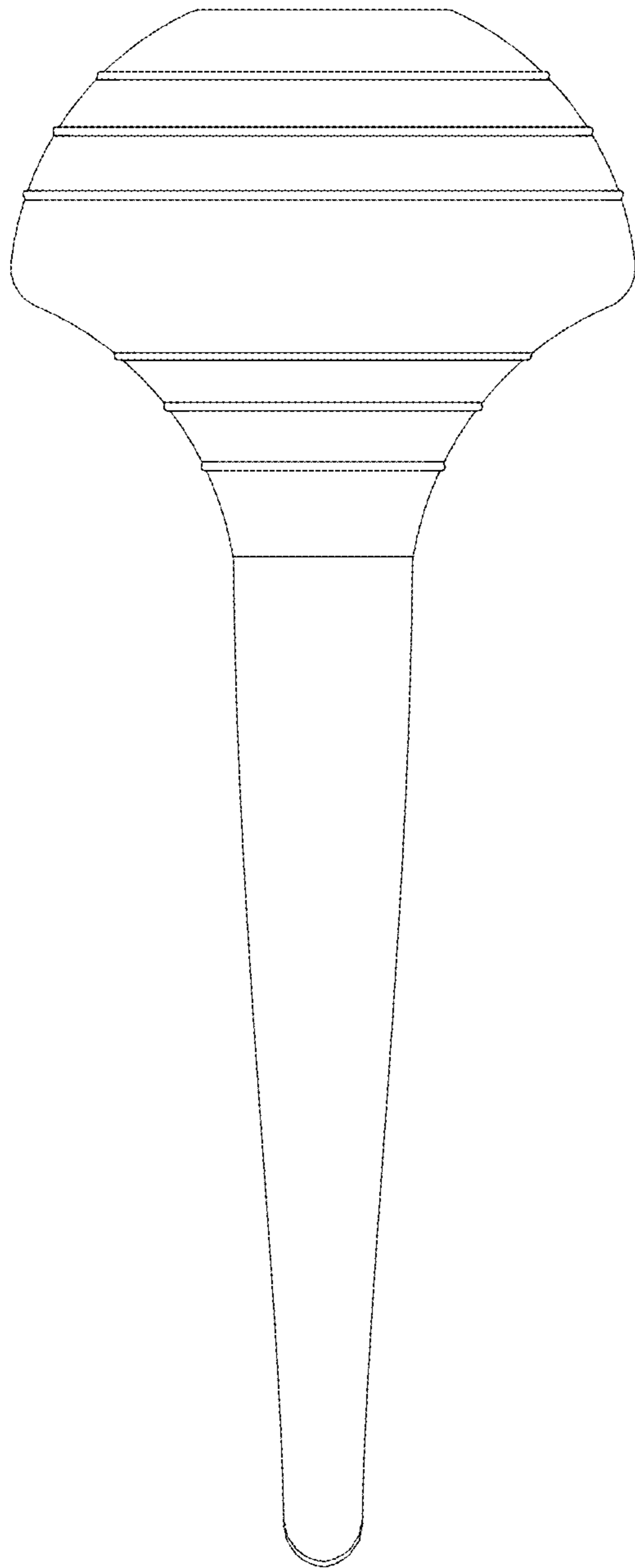


FIG. 13

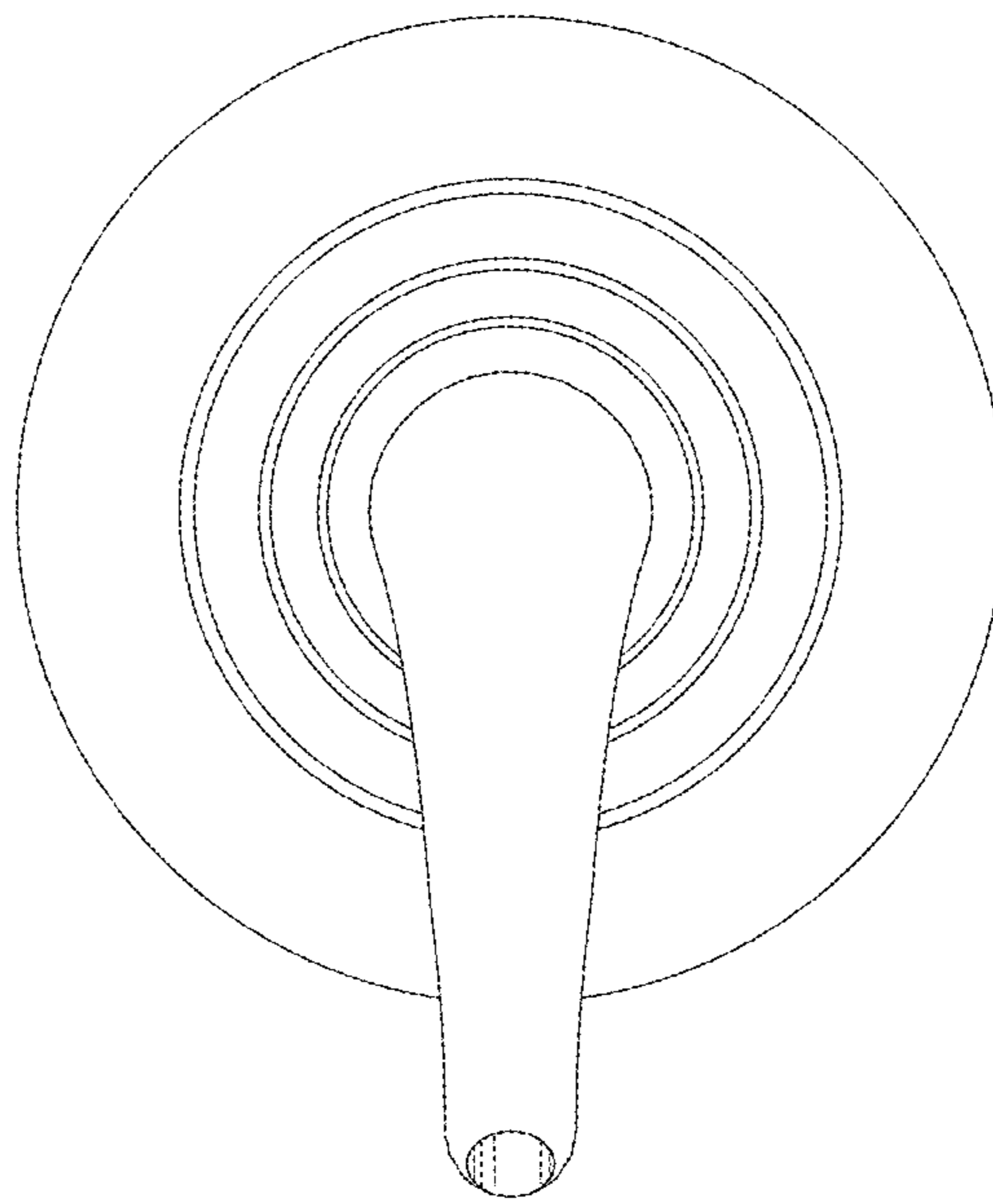


FIG. 14

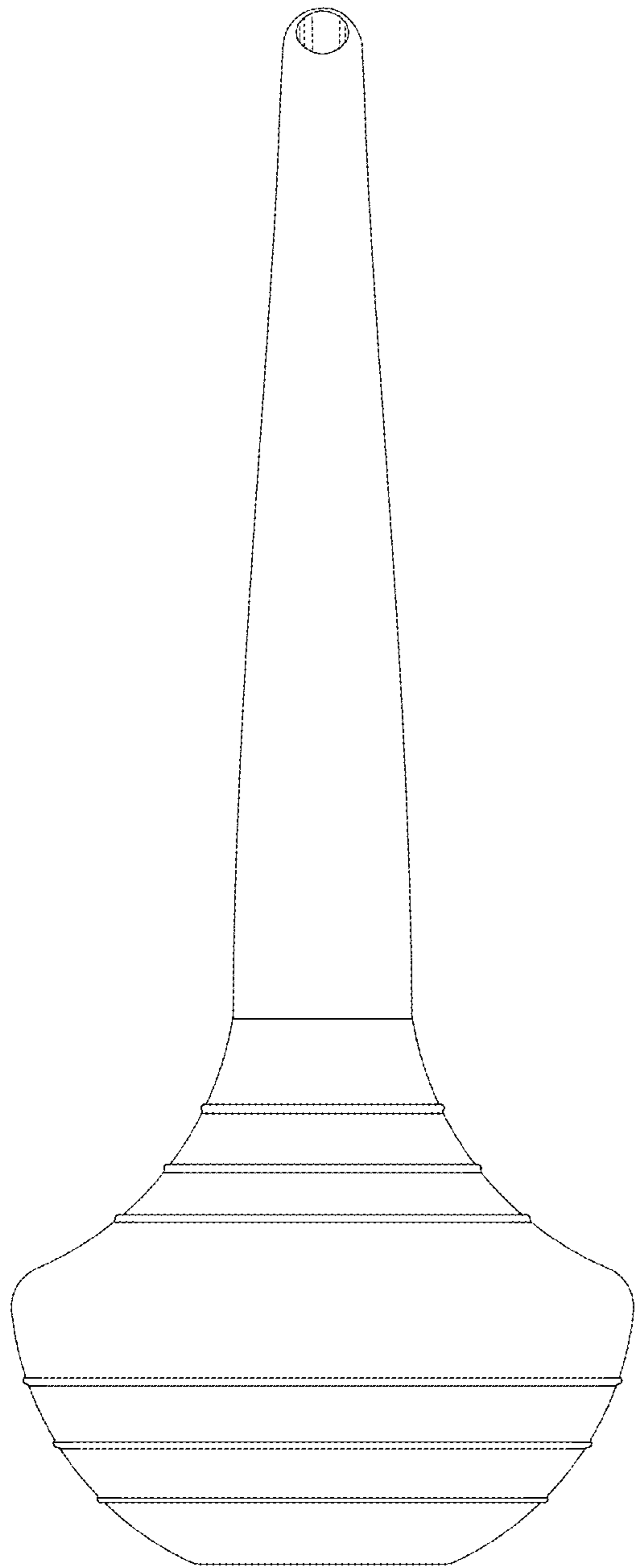


FIG. 15

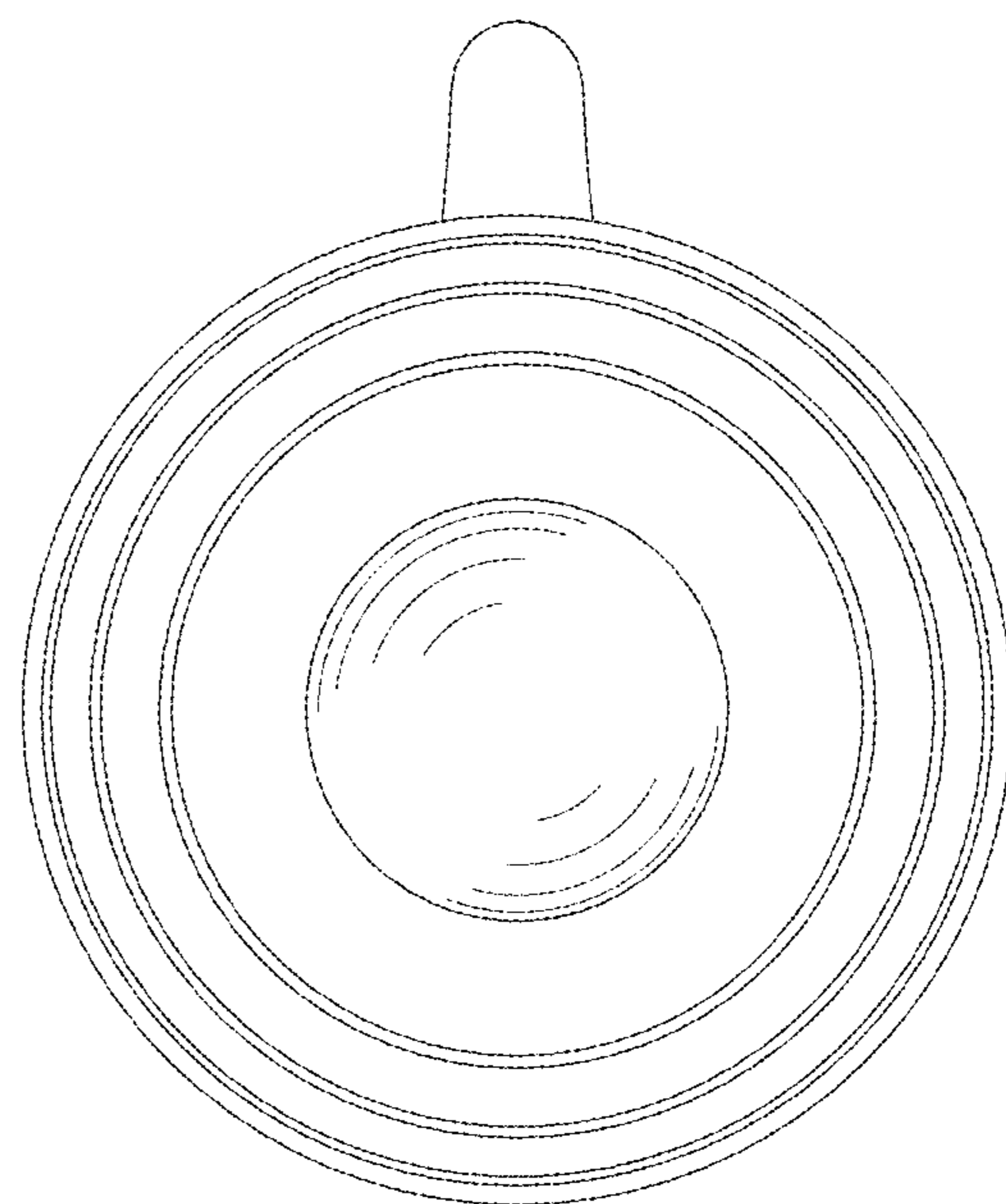


FIG. 16