



US00D775722S

(12) **United States Design Patent** (10) **Patent No.:** **US D775,722 S**  
**Caprice et al.** (45) **Date of Patent:** **\*\* Jan. 3, 2017**

(54) **MASK WITH SNORKEL**

(71) Applicants: **Cédric Caprice**, Villeneuve d'Ascq (FR); **Vivien Durisotti**, Conflans Sainte Honorine (FR); **Antoine Fritsch**, Conflans Sainte Honorine (FR)

(72) Inventors: **Cédric Caprice**, Villeneuve d'Ascq (FR); **Vivien Durisotti**, Conflans Sainte Honorine (FR); **Antoine Fritsch**, Conflans Sainte Honorine (FR)

(73) Assignee: **Decathlon S.A.**, Villeneuve d'Ascq (FR)

(\*\*) Term: **14 Years**

(21) Appl. No.: **29/489,967**

(22) Filed: **May 5, 2014**

(30) **Foreign Application Priority Data**

Nov. 6, 2013 (EM) ..... 002340224-0001

(51) **LOC (10) Cl.** ..... **29-02**

(52) **U.S. Cl.**  
USPC ..... **D24/110.2; D24/110.4**

(58) **Field of Classification Search**  
USPC ..... **D24/110-110.5**  
(Continued)

(56) **References Cited**

**U.S. PATENT DOCUMENTS**

D335,322 S \* 5/1993 Jones ..... D24/110.2  
D512,187 S \* 11/2005 Canavan ..... D29/122  
(Continued)

*Primary Examiner* — Barbara Fox  
*Assistant Examiner* — Lilyana Bekic

(74) *Attorney, Agent, or Firm* — Charles T. J. Weigell, Esq; Fross Zelnick Lehrman & Zissu, P.C.

(57) **CLAIM**

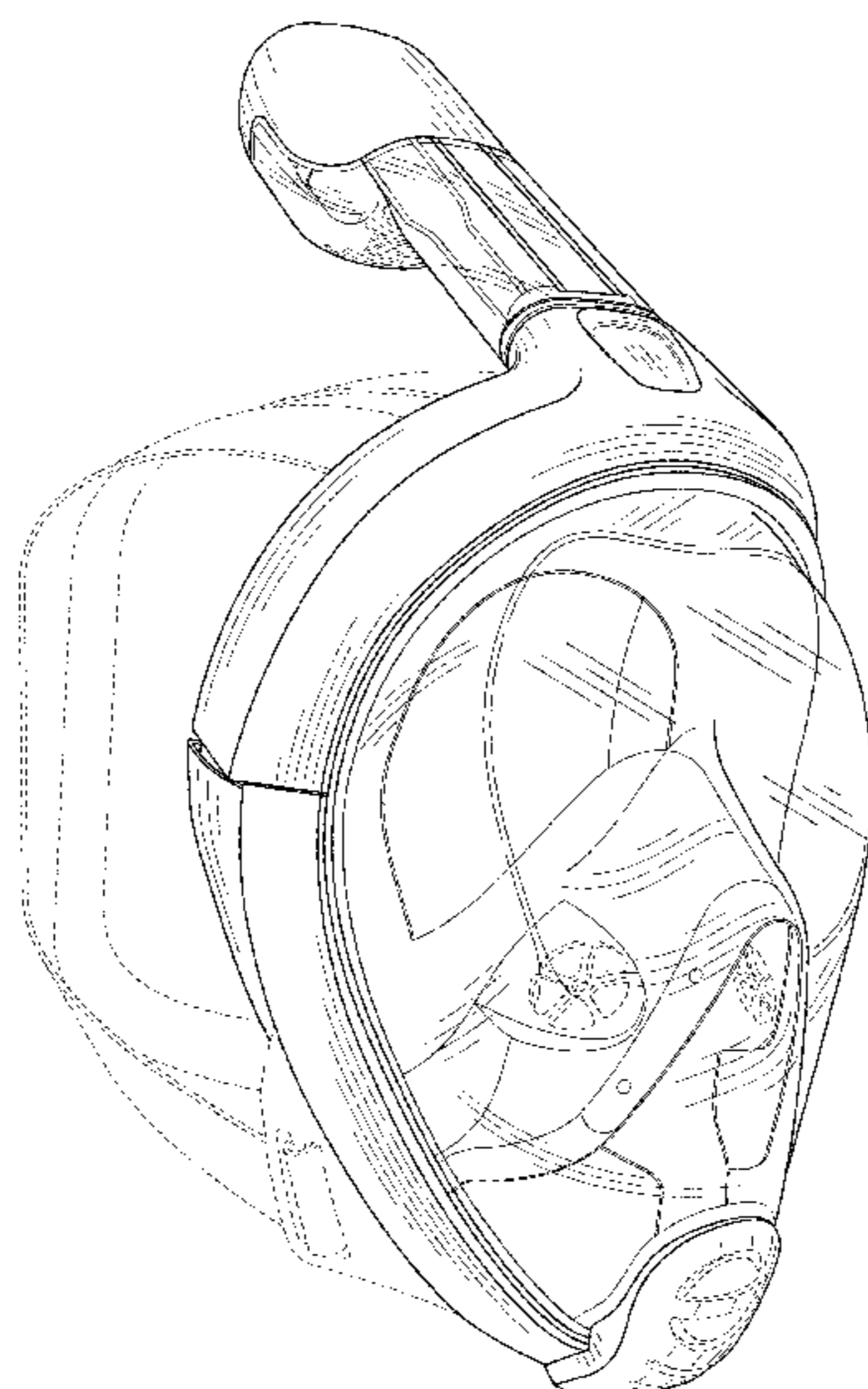
The ornamental design for a mask with snorkel, as shown and described.

**DESCRIPTION**

FIG. 1 is a front perspective view of a snorkel and mask showing my new design;  
 FIG. 2 is a front view of the mask with snorkel shown in FIG. 1;  
 FIG. 3 is a back view of the mask with snorkel shown in FIG. 1;  
 FIG. 4 is a side view of the mask with snorkel shown in FIG. 1;  
 FIG. 5 is the other side view of the mask with snorkel shown in FIG. 1;  
 FIG. 6 is a top view of the mask with snorkel shown in FIG. 1;  
 FIG. 7 is a bottom view of the mask with snorkel shown in FIG. 1;  
 FIG. 8 is a front perspective view of the mask with snorkel with the face shield removed for ease of illustration;  
 FIG. 9 is a front view of the mask with snorkel shown in FIG. 8;  
 FIG. 10 is a back view of the mask with snorkel shown in FIG. 8;  
 FIG. 11 is a side view of the mask with snorkel shown in FIG. 8;  
 FIG. 12 is the other side view of the mask with snorkel shown in FIG. 8;  
 FIG. 13 is a top view of the mask with snorkel shown in FIG. 8; and,  
 FIG. 14 is a bottom view of the mask with snorkel shown in FIG. 8.

The broken line showing of the lower cover apertures, the extension of the upper buckle of the snorkel, the apertures in the snorkel, the nasal valves, and straps illustrate portions of the mask with snorkel that form no part of the claimed design.

**1 Claim, 14 Drawing Sheets**



(58) **Field of Classification Search**

CPC ..... B63C 11/205; B63C 11/16; B63C 11/186;  
B63C 11/12

See application file for complete search history.

(56) **References Cited**

U.S. PATENT DOCUMENTS

D552,233	S *	10/2007	Trujillo	.....	D24/110.2
D574,486	S *	8/2008	Betz	.....	D24/110.2
D602,154	S *	10/2009	Ono	.....	D24/110.2
D668,327	S *	10/2012	Sumner	.....	D24/110.2
D668,758	S *	10/2012	Hall	.....	D24/110.2
2001/0013346	A1 *	8/2001	Lemke	.....	B63C 11/16 128/201.11
2005/0051164	A1 *	3/2005	Hutter	.....	B63C 11/16 128/201.11
2006/0037607	A1 *	2/2006	Trujillo	.....	F16J 1/00 128/201.11
2006/0048777	A1 *	3/2006	Brookman	.....	A62B 7/02 128/201.22
2013/0074835	A1 *	3/2013	Newhouse	.....	B63C 11/16 128/201.11

\* cited by examiner

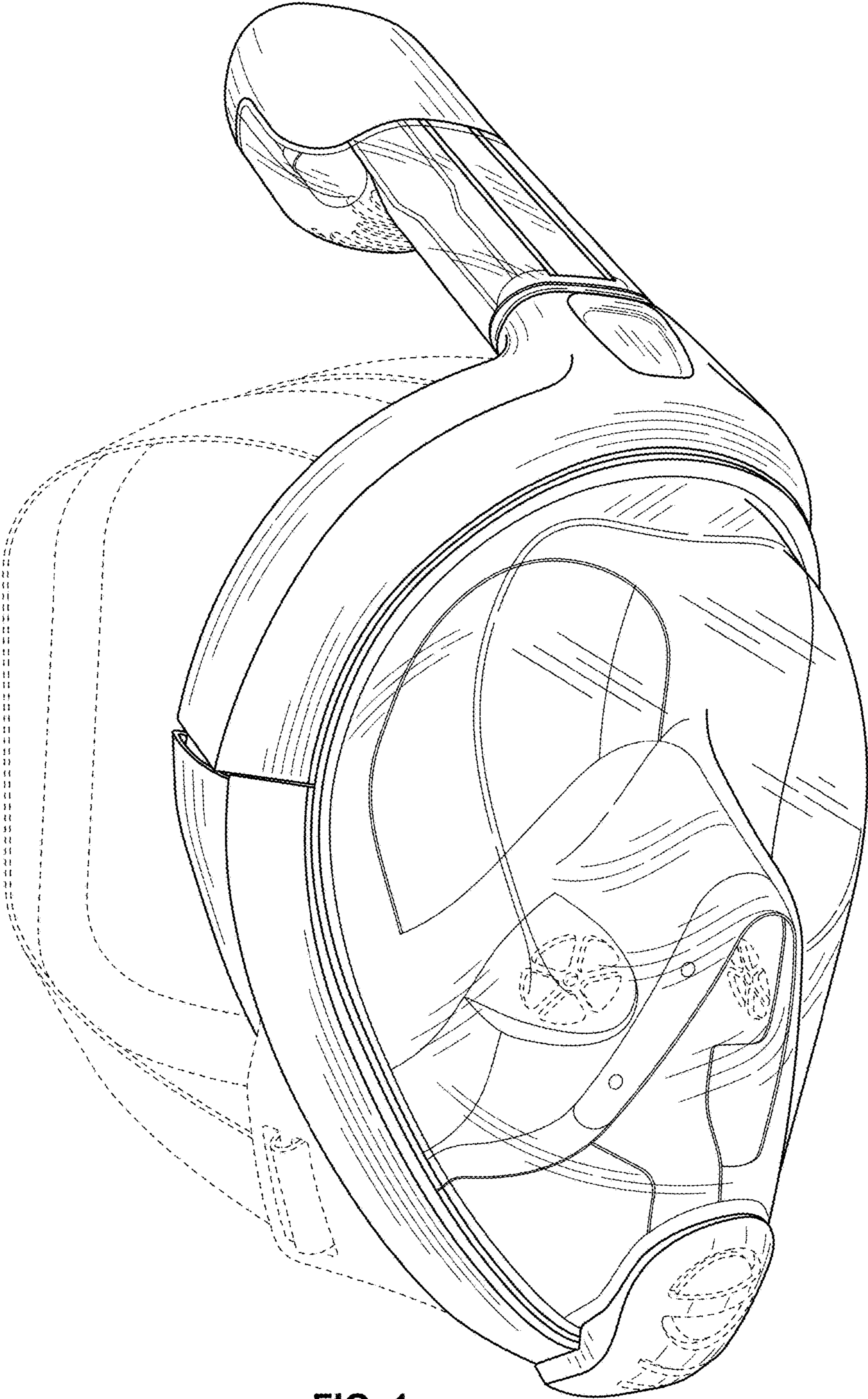


FIG. 1



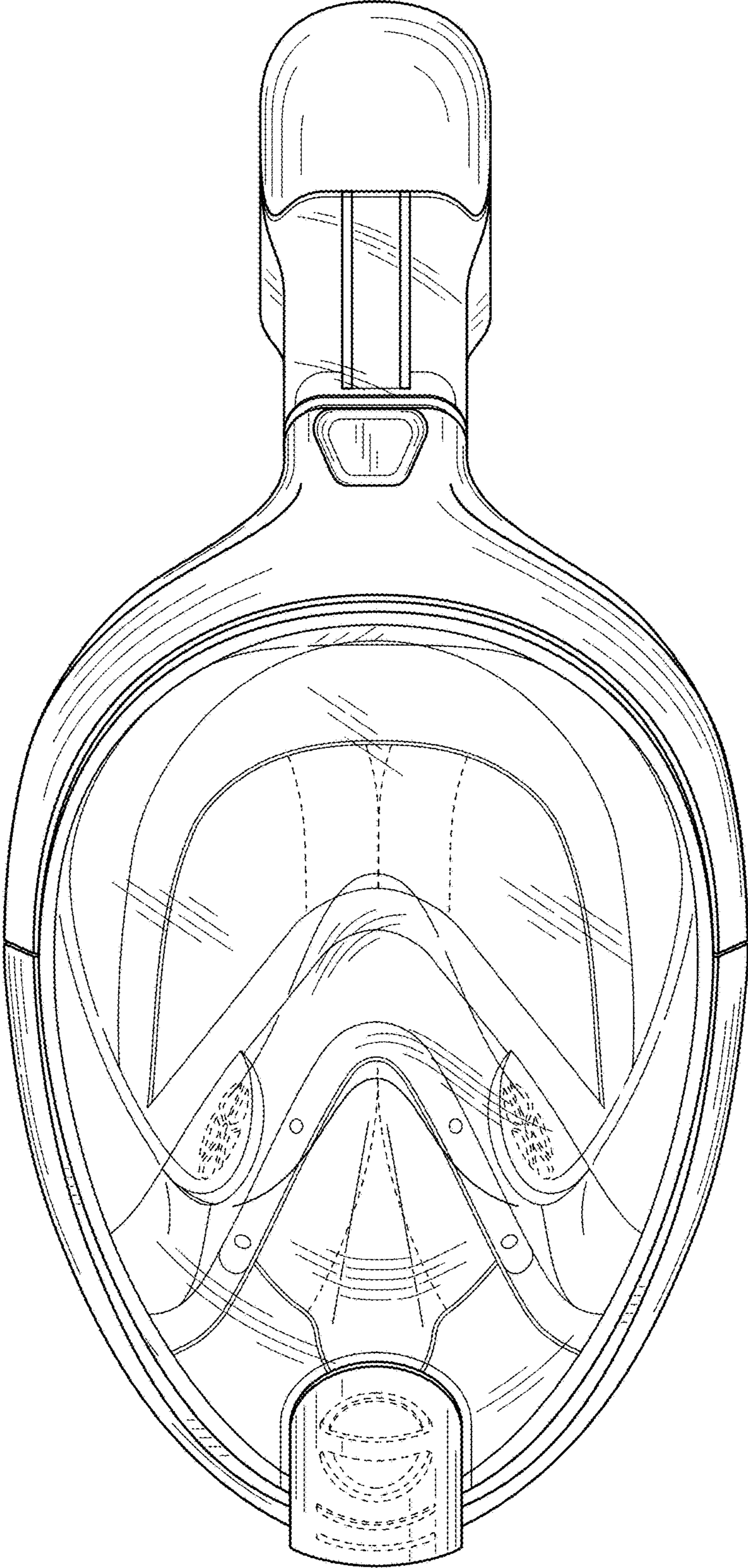


FIG. 2

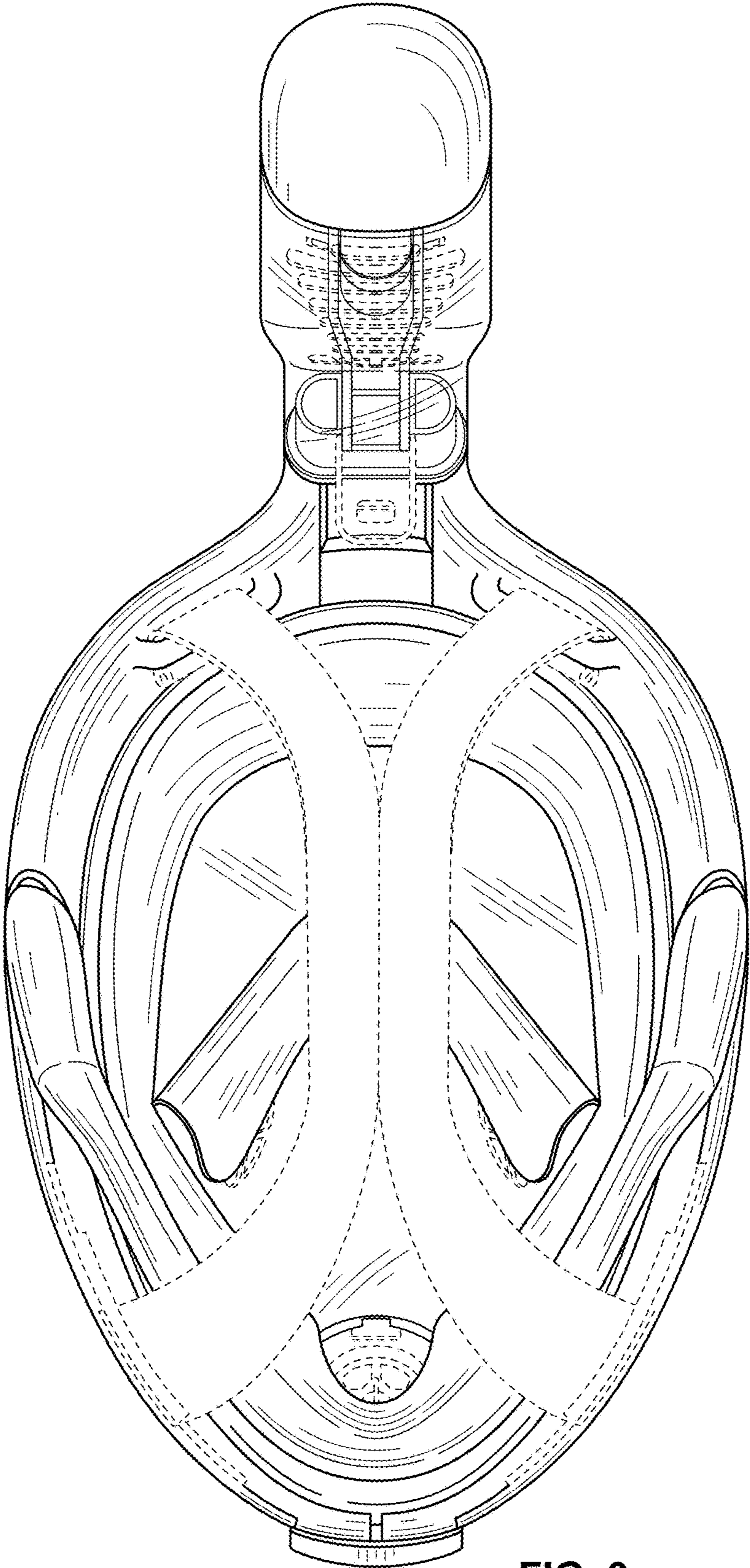


FIG. 3

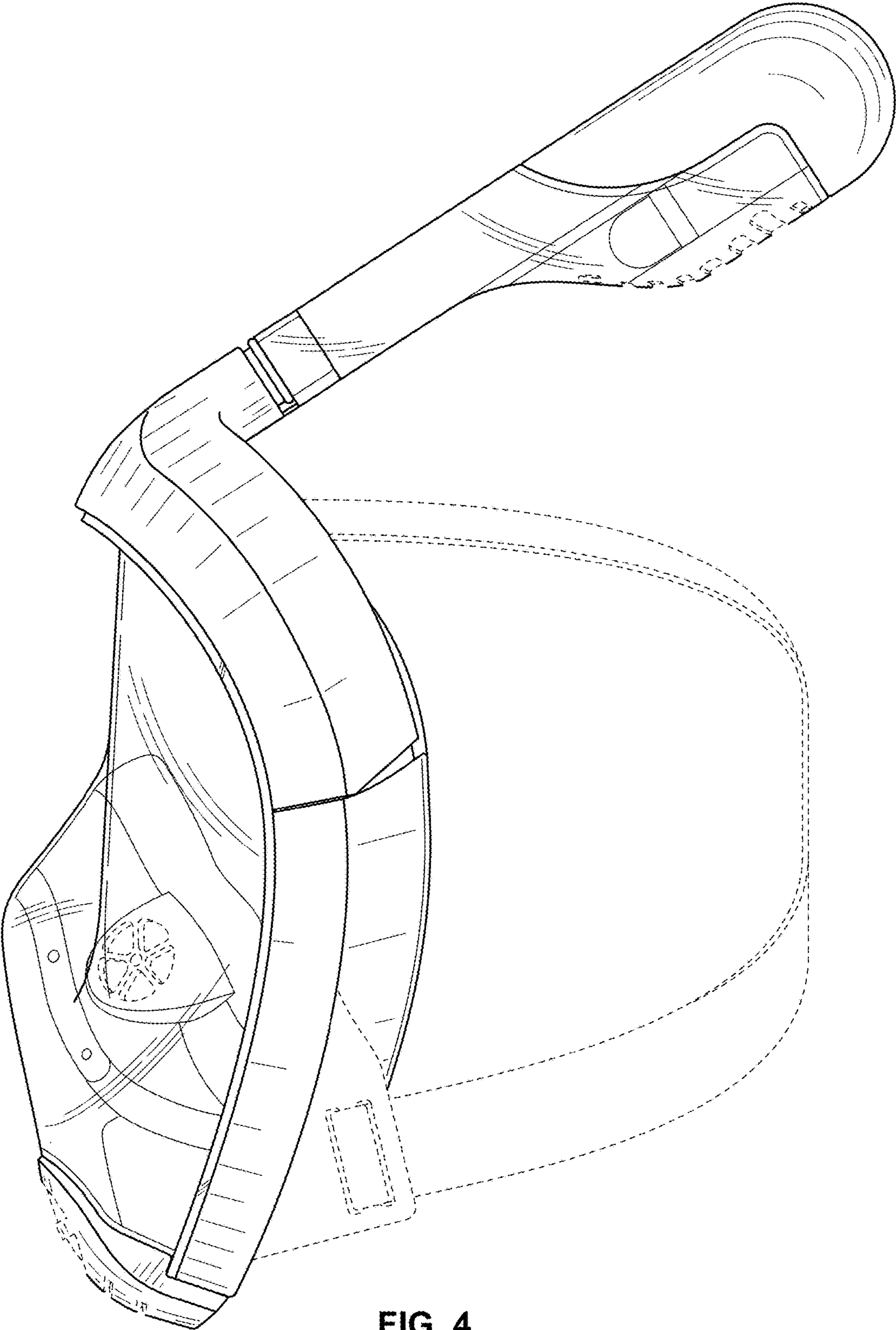


FIG. 4



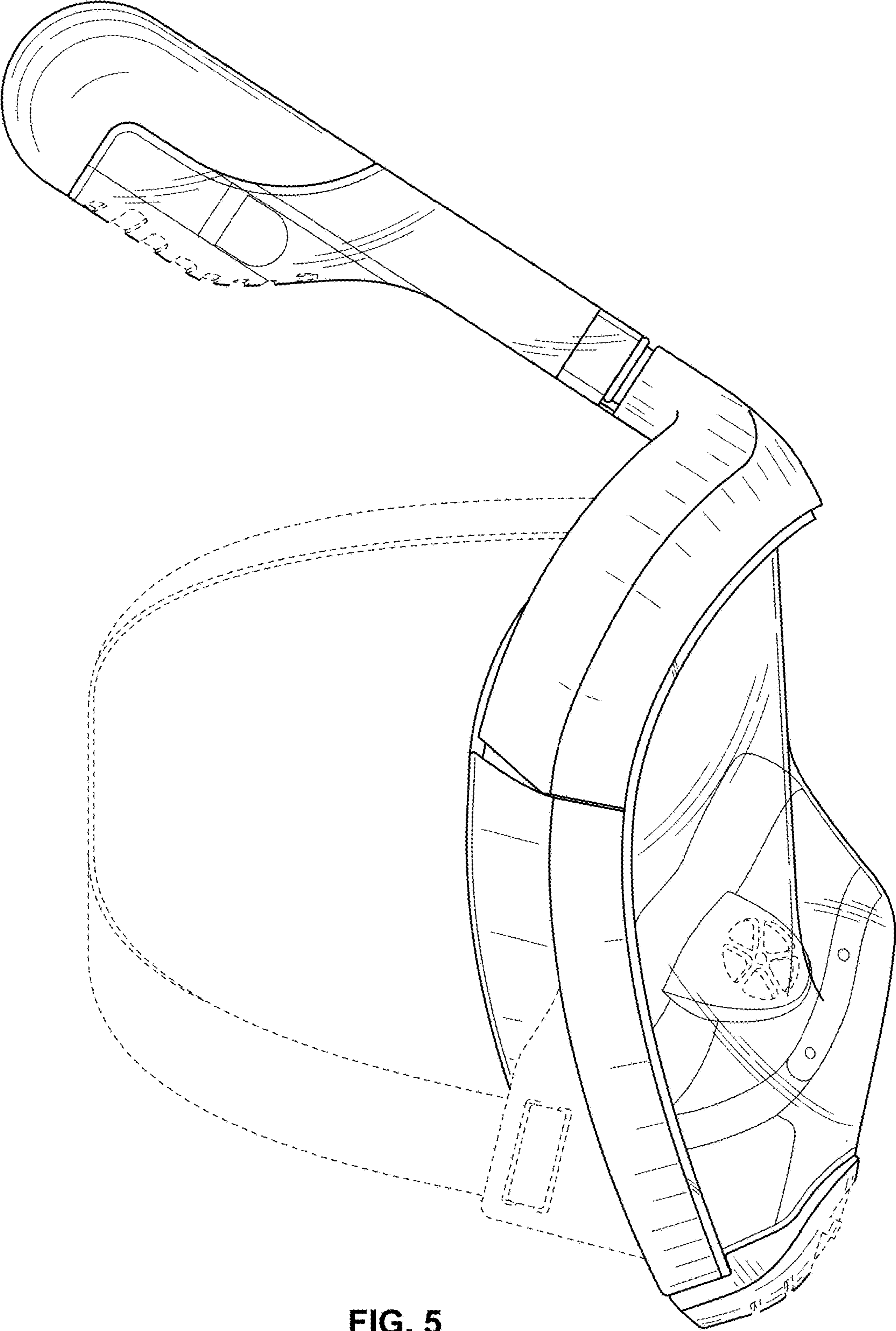


FIG. 5

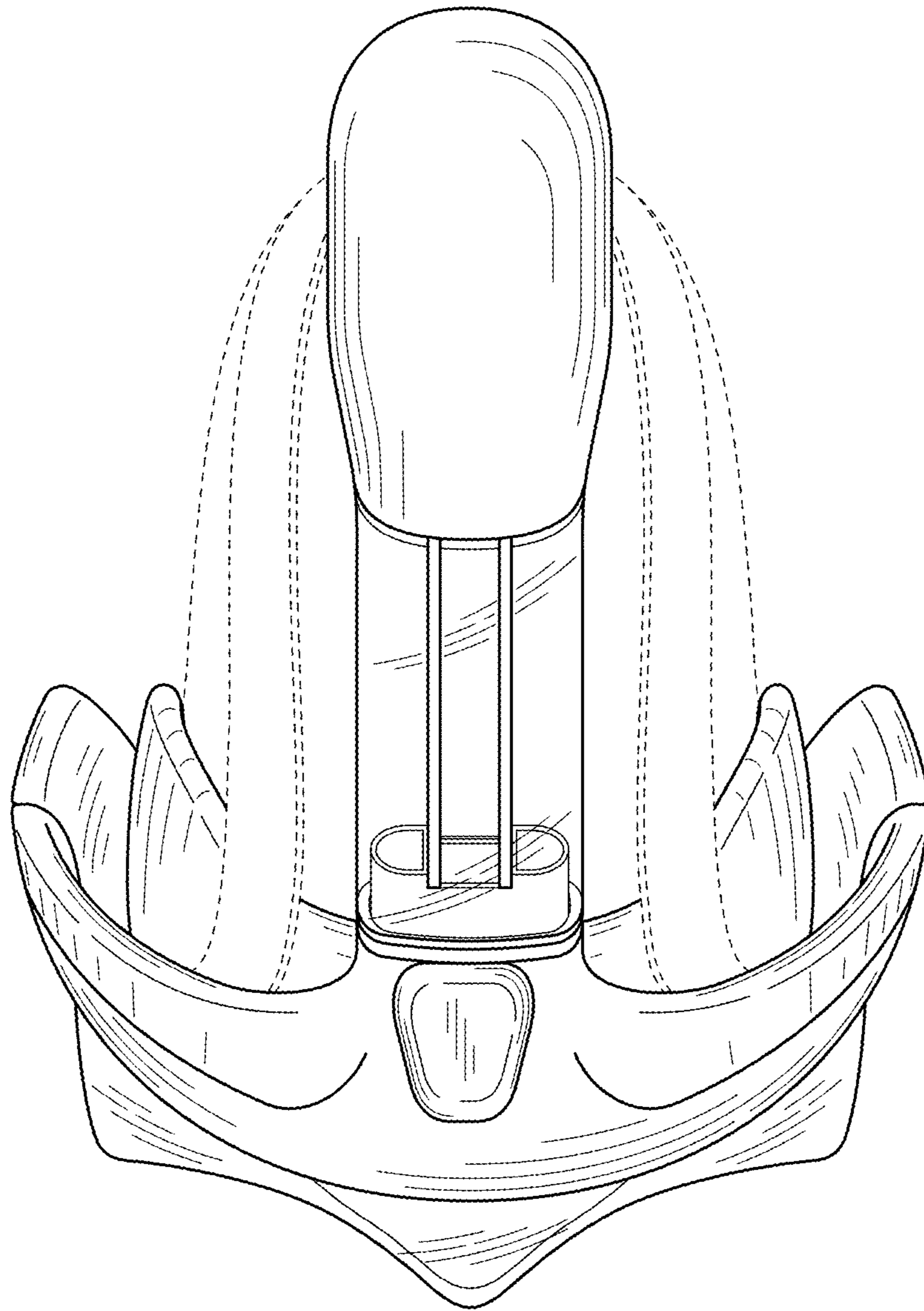


FIG. 6



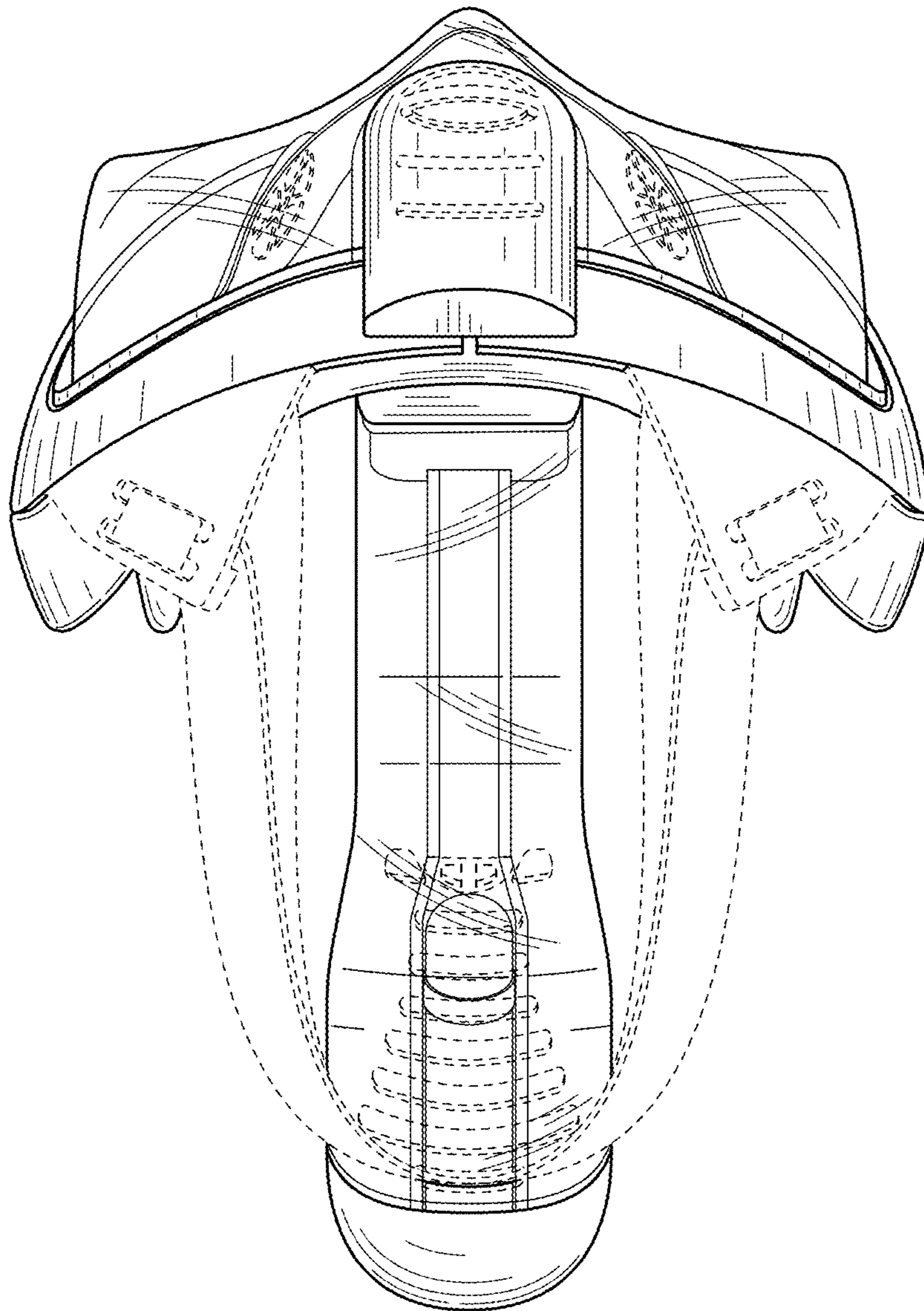


FIG. 7

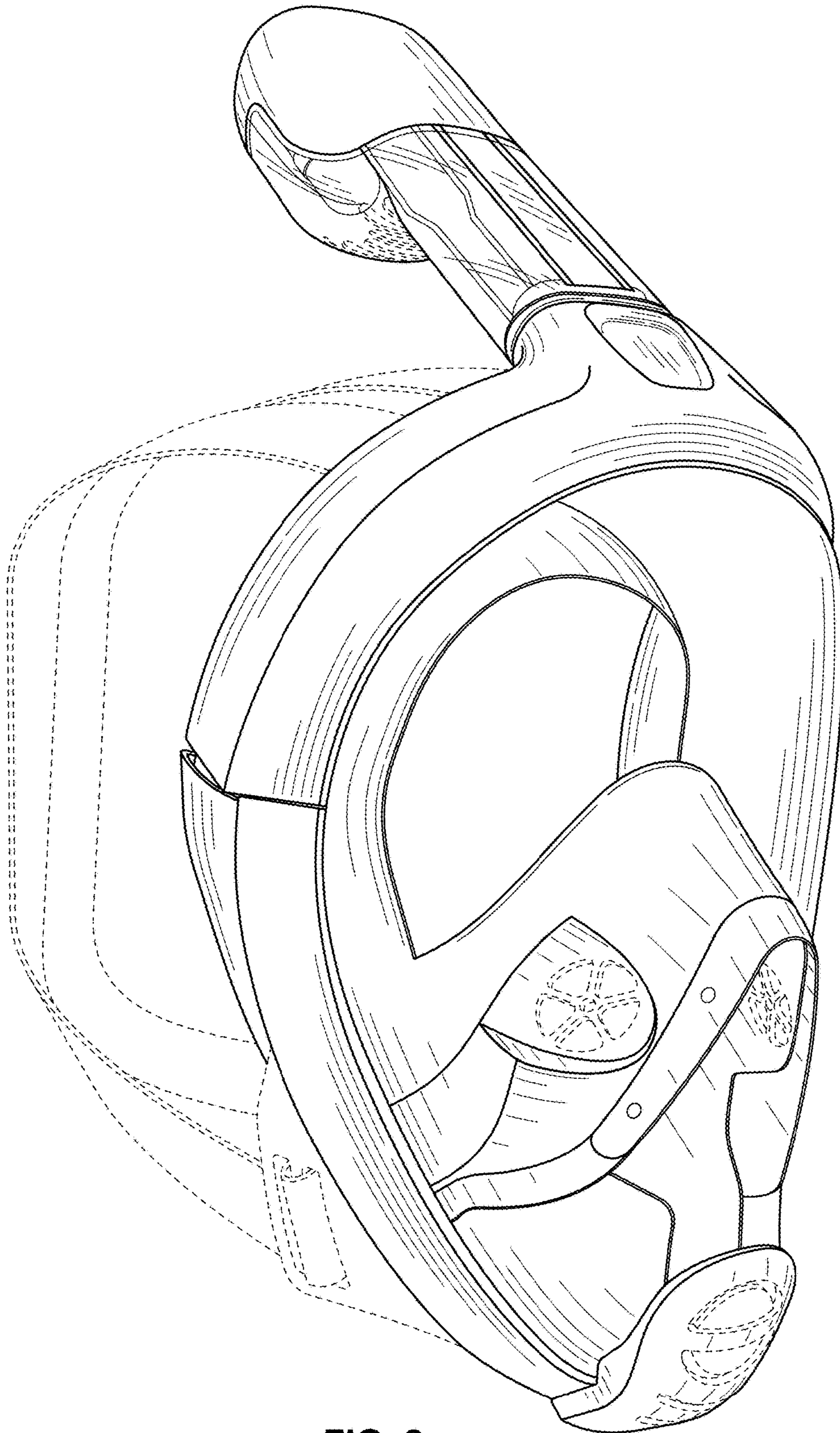


FIG. 8

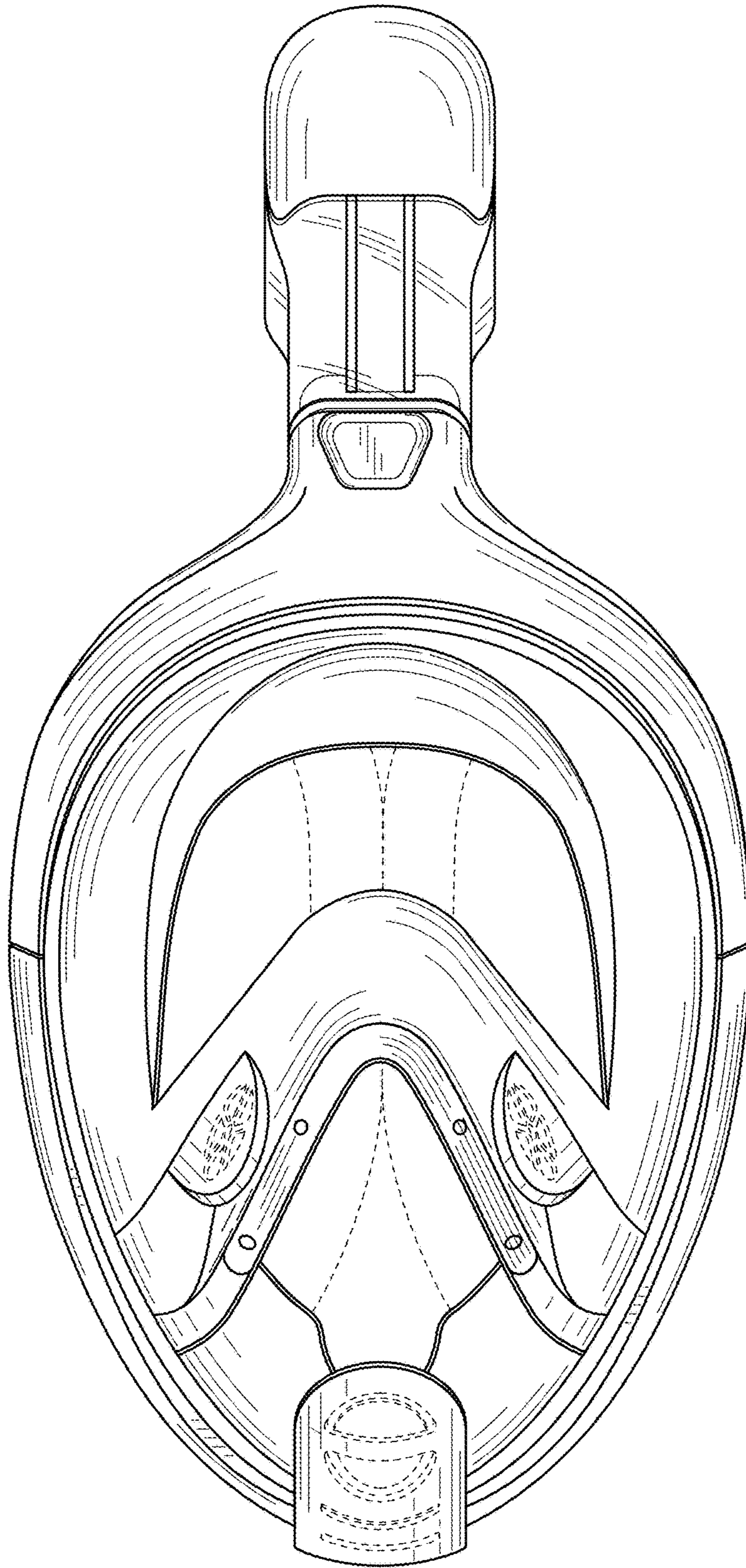


FIG. 9



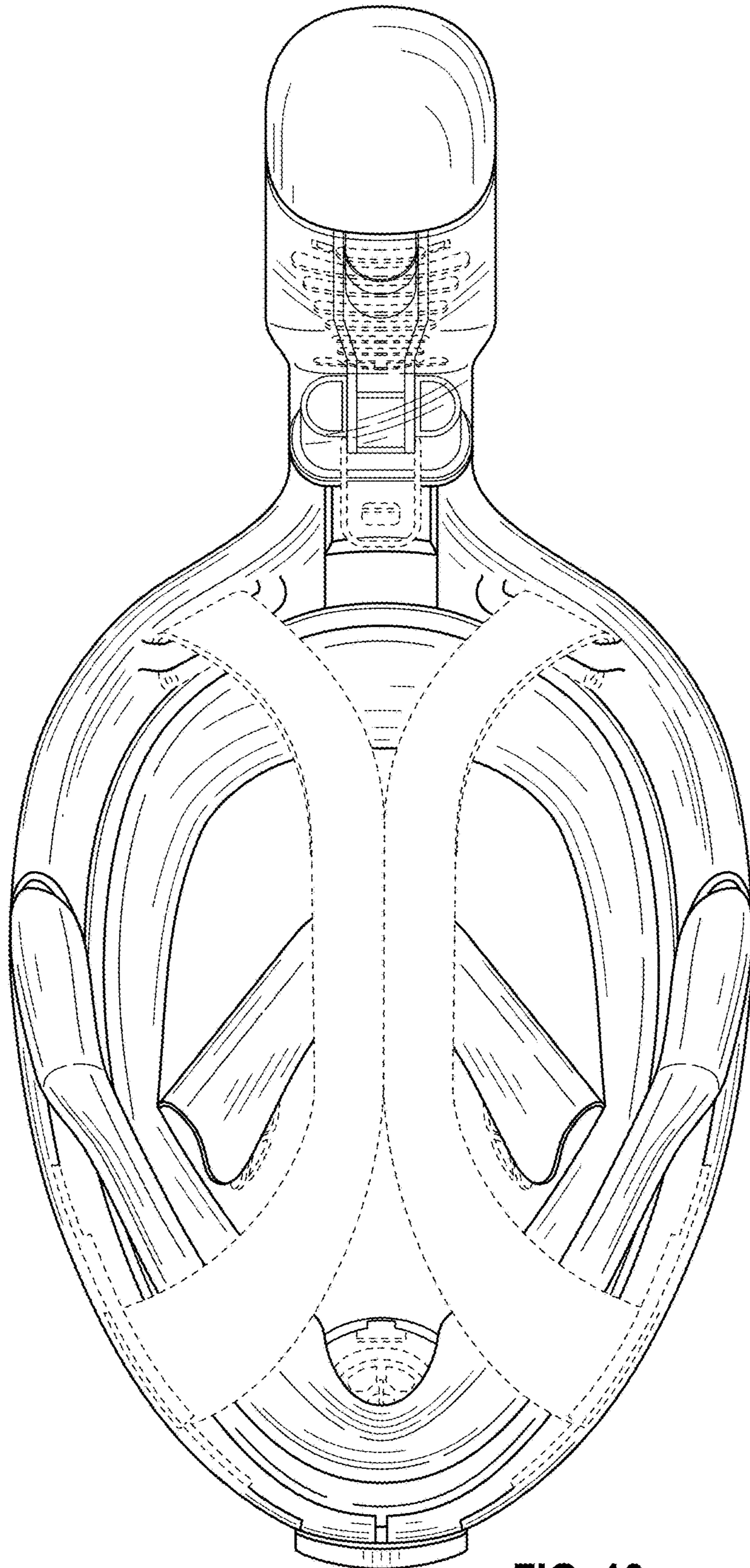


FIG. 10

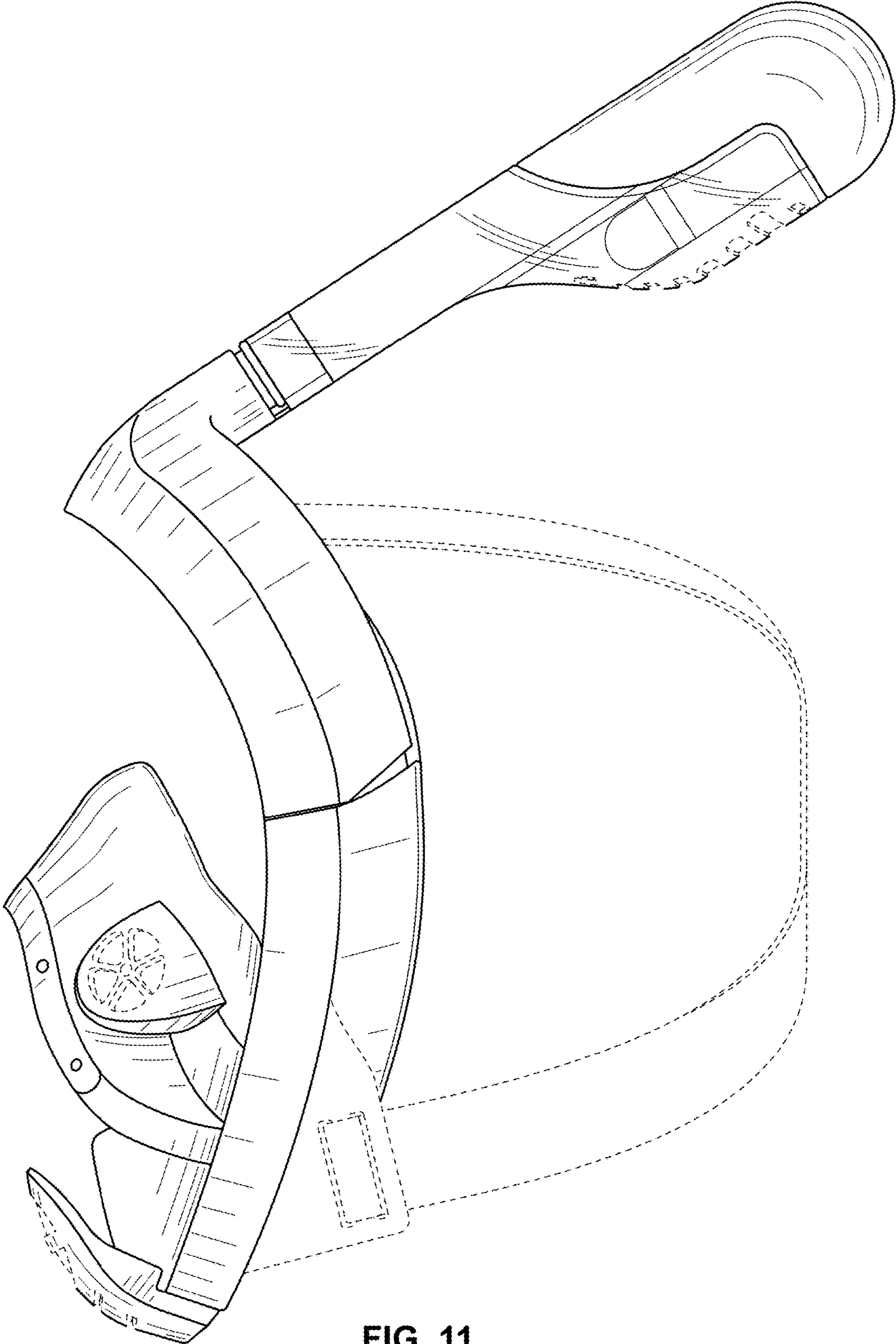


FIG. 11

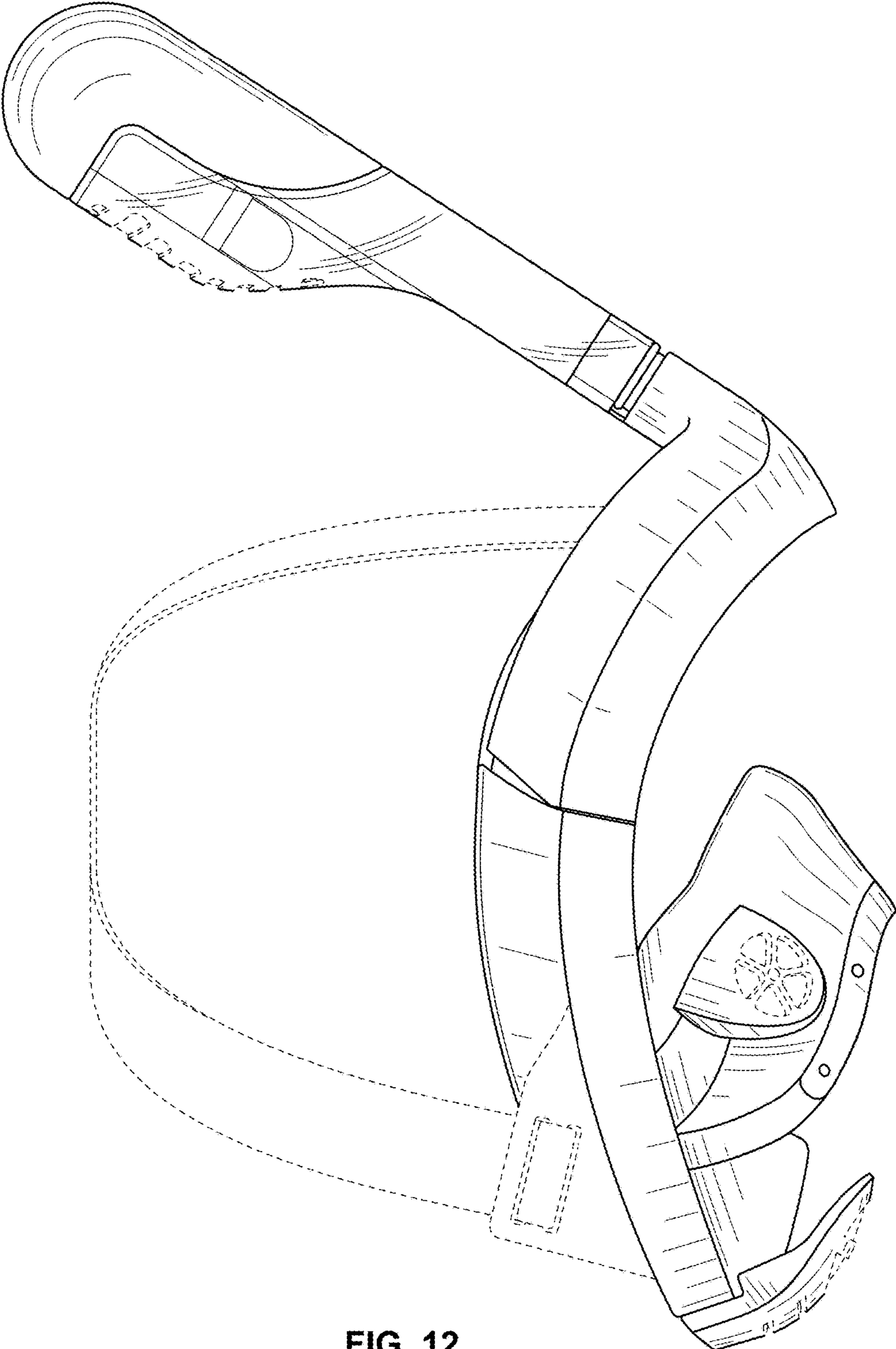


FIG. 12



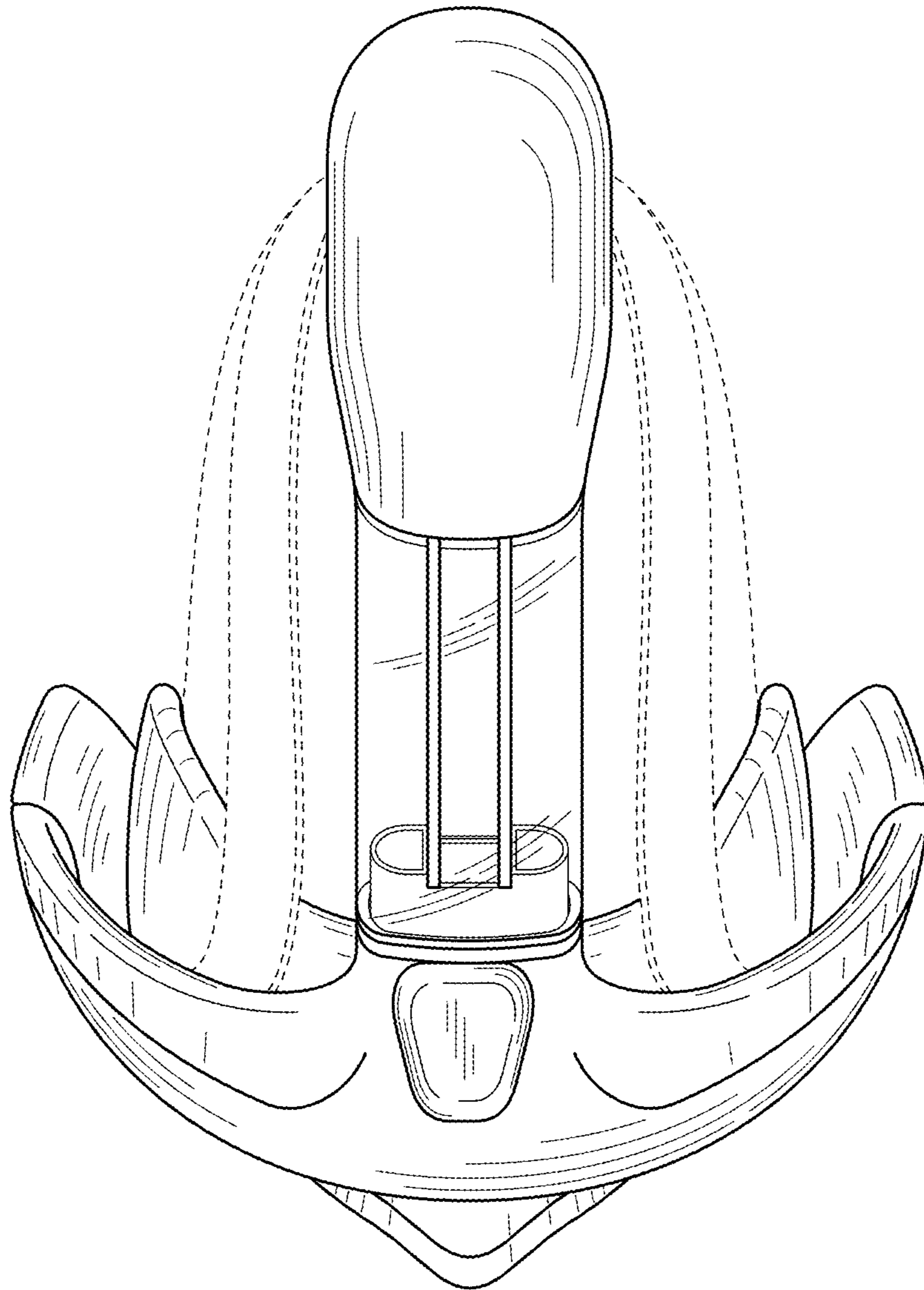


FIG. 13

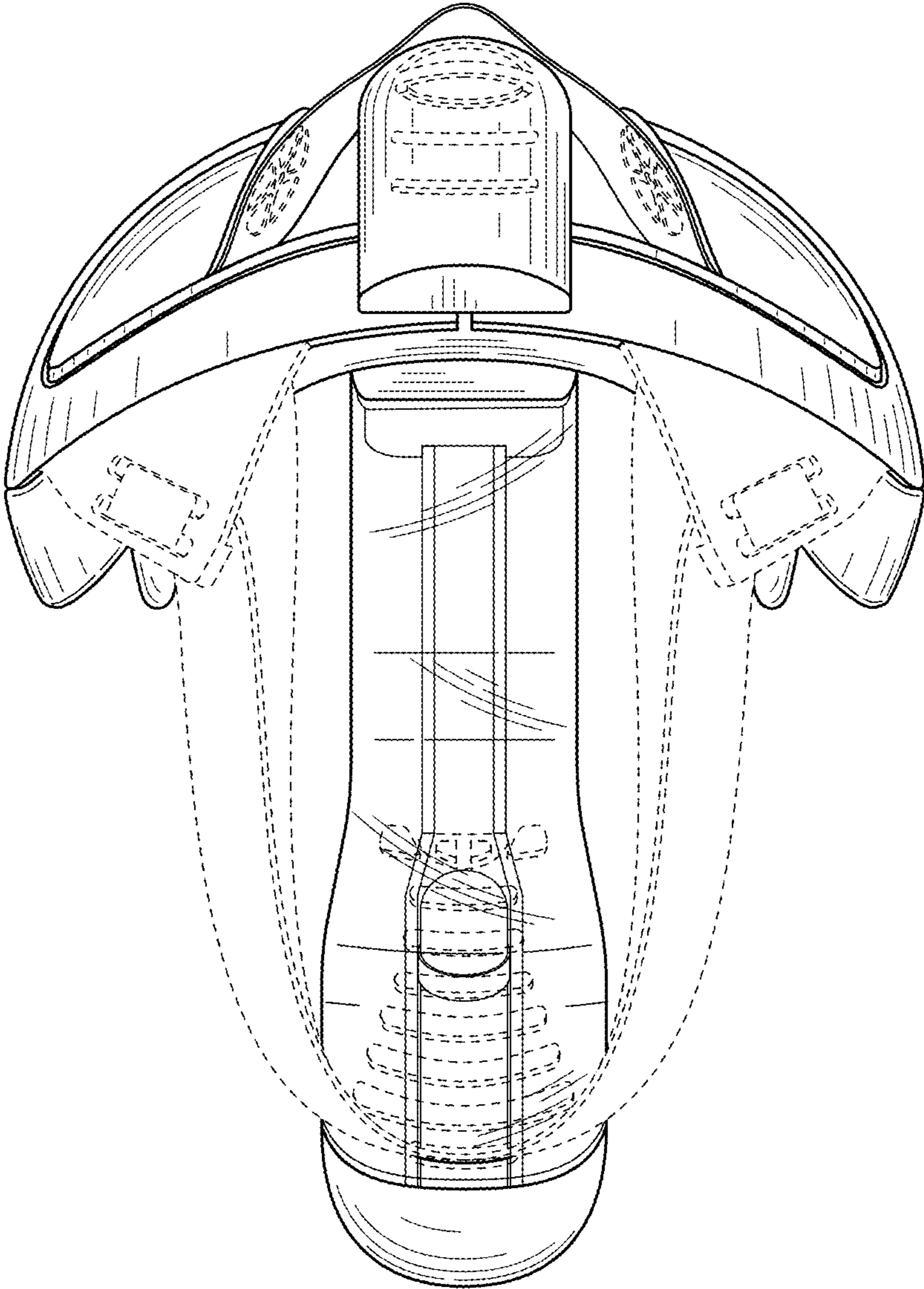


FIG. 14