



US00D775720S

(12) **United States Design Patent** (10) **Patent No.:** **US D775,720 S**
Liu et al. (45) **Date of Patent:** **** Jan. 3, 2017**

(54) **FAN**

(71) Applicant: **DELTA ELECTRONICS, INC.**,
Taoyuan (TW)

(72) Inventors: **Yu-Chen Liu**, Taoyuan (TW);
Hung-Chi Chen, Taoyuan (TW);
Meng-Yu Chen, Taoyuan (TW)

(73) Assignee: **DELTA ELECTRONICS, INC.**,
Taoyuan (TW)

(**) Term: **15 Years**

(21) Appl. No.: **29/540,637**

(22) Filed: **Sep. 25, 2015**

(51) **LOC (10) Cl.** **23-04**

(52) **U.S. Cl.**
USPC **D23/370**

(58) **Field of Classification Search**
USPC D23/370, 355, 314, 414, 371, 377,
385,D23/411; 415/121.1; D14/432
CPC F04D 29/329; F04D 29/526; F04D 25/082;
F04D 29/325; F04D 29/703; F04D 29/547
See application file for complete search history.

(56) **References Cited**

U.S. PATENT DOCUMENTS

D234,203 S * 1/1975 Wrobel D23/383
6,884,033 B2 * 4/2005 Liao F04D 29/4213
257/E23.099

D539,408 S * 3/2007 Wu D23/370
D561,323 S * 2/2008 Shirahama D23/370
D576,266 S * 9/2008 Yamakami D23/383
D723,151 S * 2/2015 Xu D23/370
D754,835 S * 4/2016 Uehara D23/371
D761,410 S * 7/2016 Carlsen D23/370
2003/0035735 A1 * 2/2003 Wang F04D 29/083
417/234
2007/0099554 A1 * 5/2007 Liang F04D 29/4226
454/76
2012/0026688 A1 * 2/2012 Takemoto F04D 29/582
361/695

* cited by examiner

Primary Examiner — Cynthia Underwood
(74) *Attorney, Agent, or Firm* — Muncy, Geissler, Olds &
Lowe, P.C.

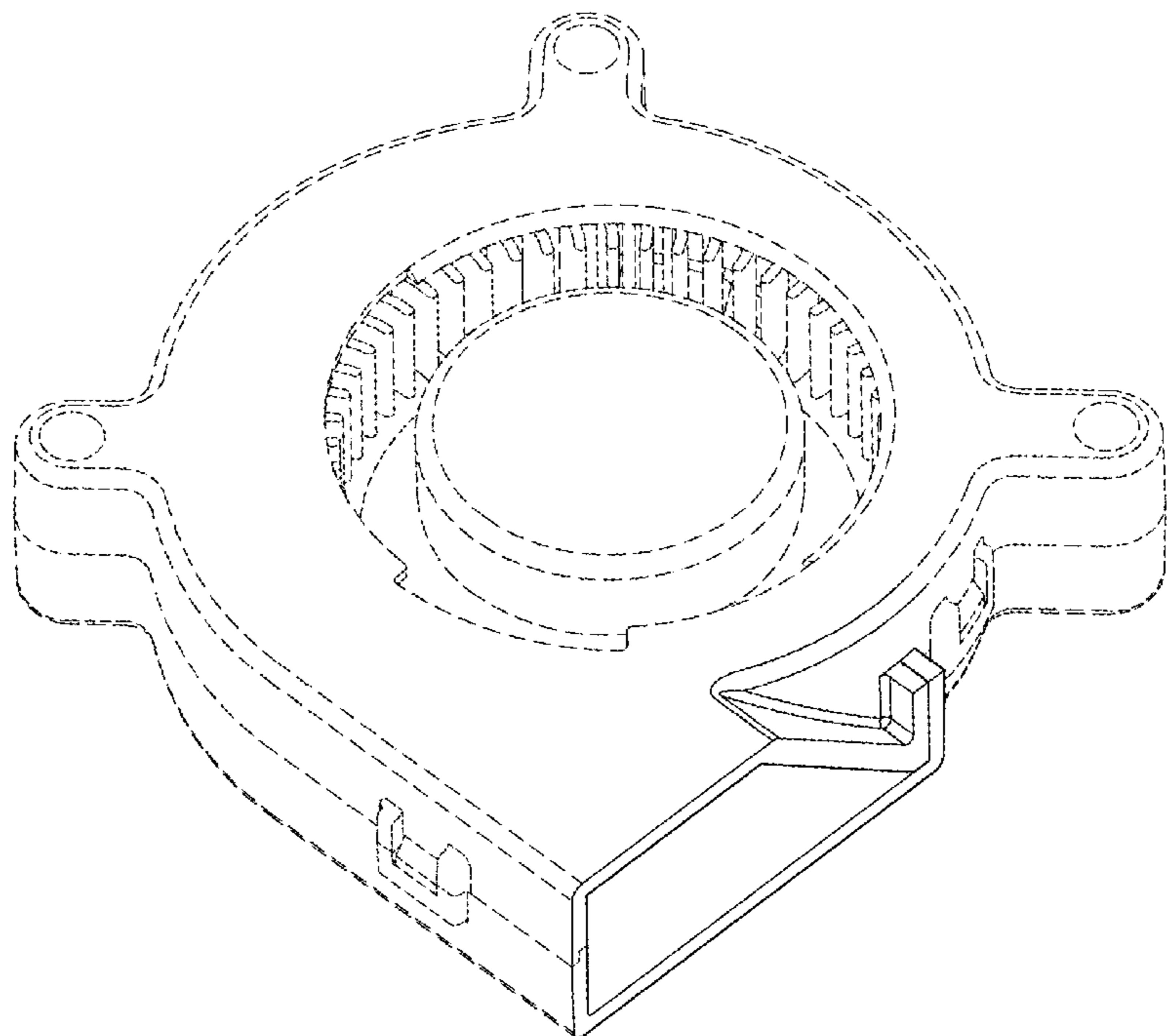
(57) **CLAIM**

The ornamental design for a fan, as shown and described.

DESCRIPTION

FIG. 1 is a perspective view of a fan;
FIG. 2 is a front elevational view thereof;
FIG. 3 is a left side elevational view thereof;
FIG. 4 is a right side elevational view thereof;
FIG. 5 is a top plan view thereof; and,
FIG. 6 is a bottom plan view thereof.
The broken lines represent environment that forms no part of
the claim.

1 Claim, 5 Drawing Sheets



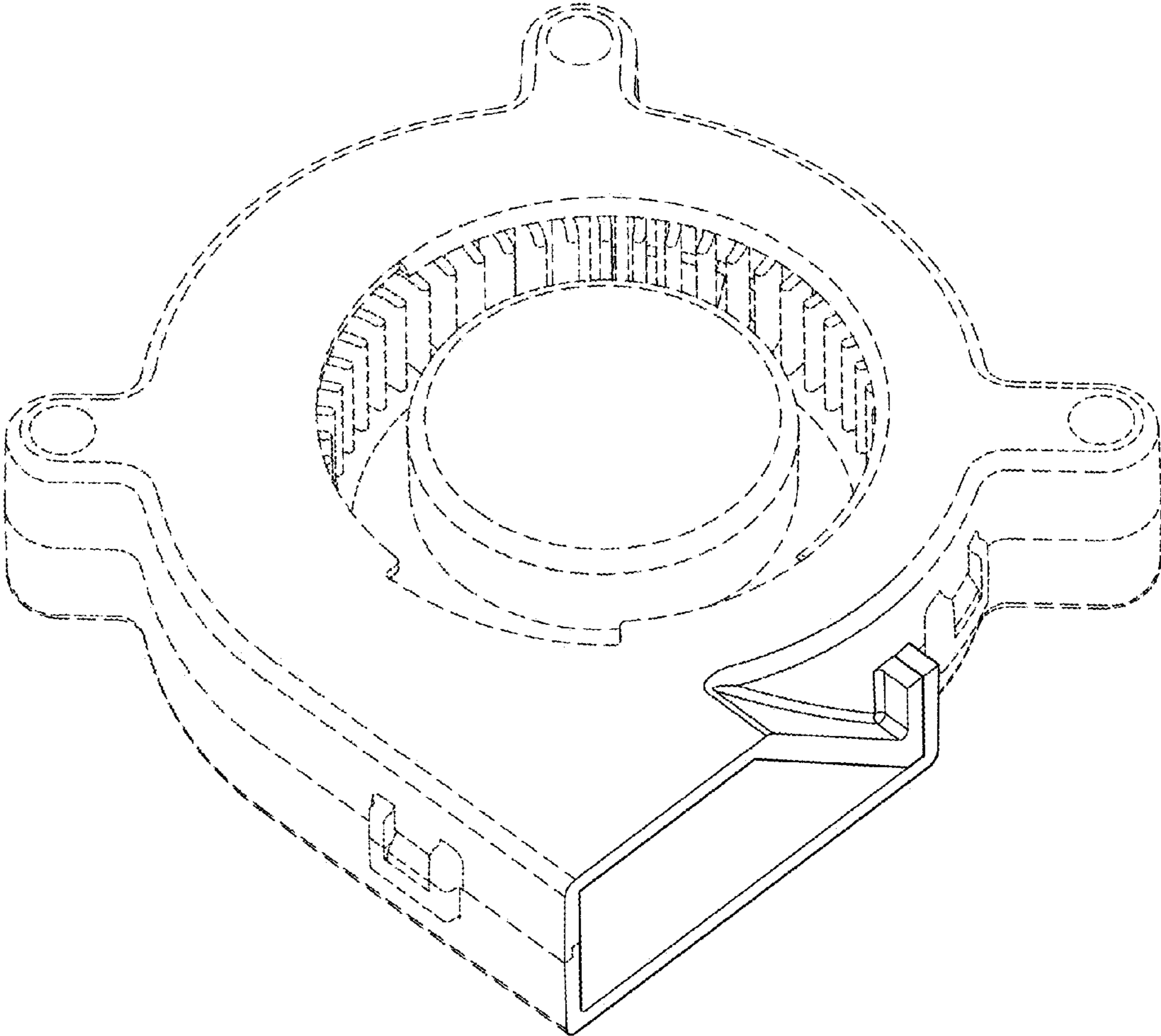


FIG.1

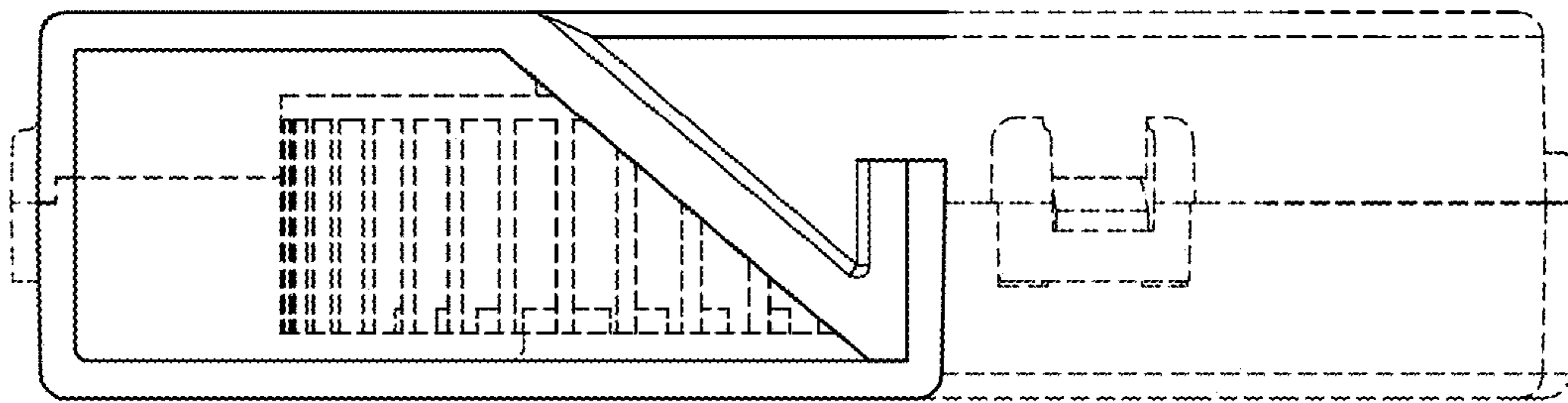


FIG.2



FIG.3



FIG.4

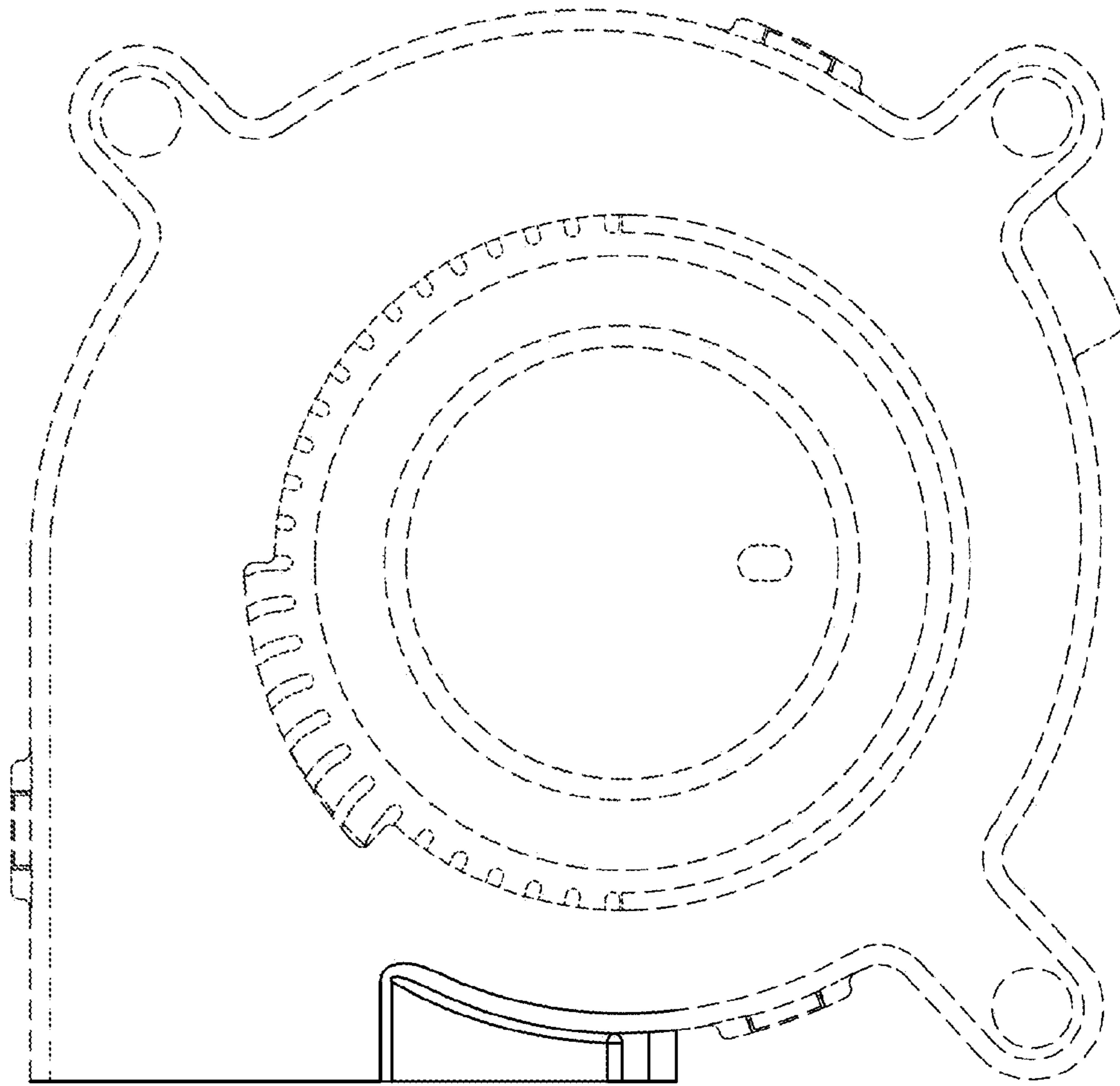


FIG.5

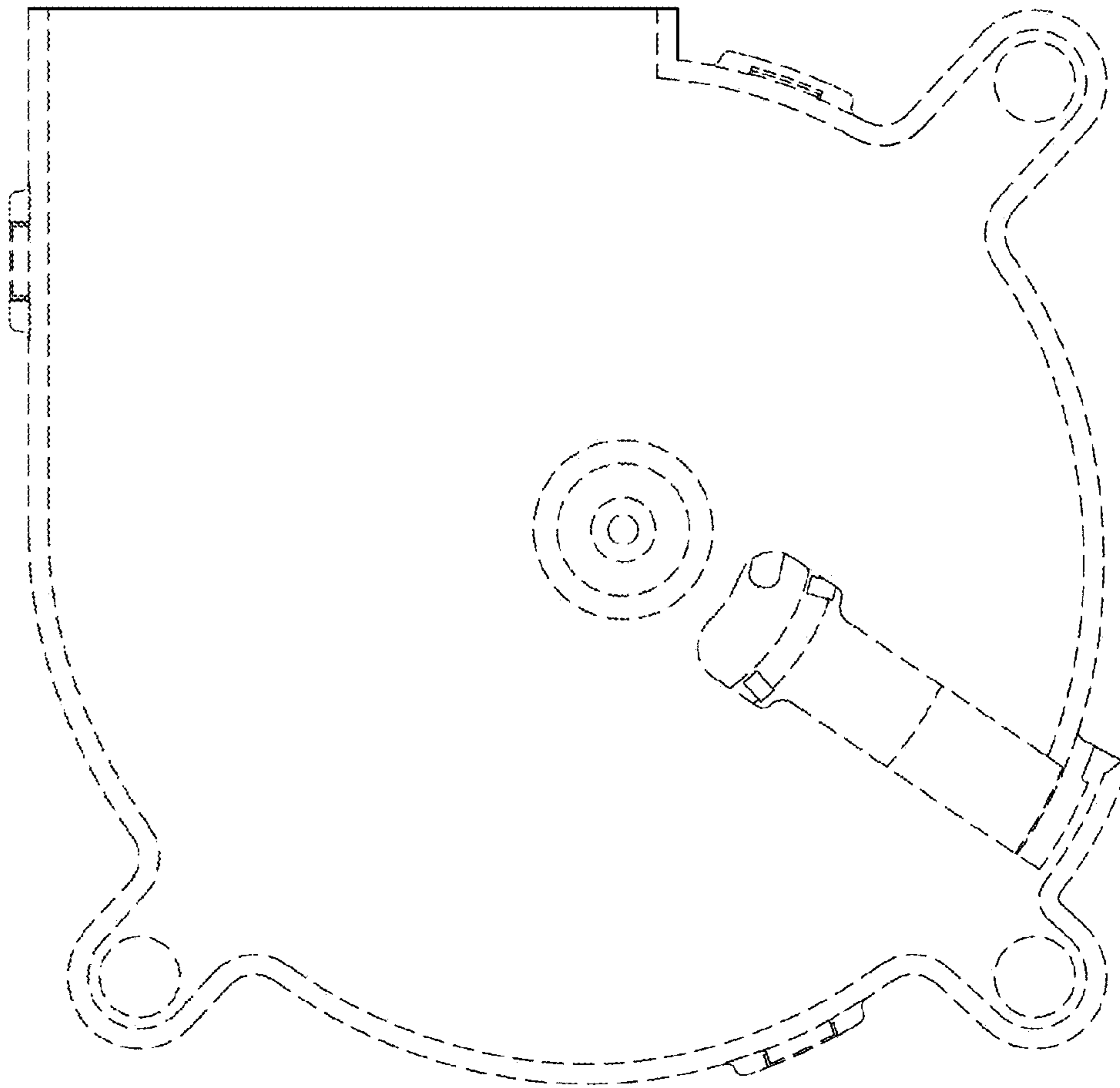


FIG.6