



US00D775719S

(12) **United States Design Patent**
Smith et al.

(10) **Patent No.:** **US D775,719 S**
(45) **Date of Patent:** **** Jan. 3, 2017**

(54) **FAN**
(71) Applicant: **AIRSCAPE, INC.**, Medford, OR (US)
(72) Inventors: **Neil B. Smith**, Ashland, OR (US);
Richard E. Jacobi, Grants Pass, OR (US)
(73) Assignee: **AIRSCAPE, INC.**, Medford, OR (US)
(**) Term: **15 Years**
(21) Appl. No.: **29/530,206**

(22) Filed: **Jun. 15, 2015**
(51) **LOC (10) Cl.** **23-04**
(52) **U.S. Cl.**
USPC **D23/370**
(58) **Field of Classification Search**
USPC D23/370-387, 411-414, 365, 355, 342,
D23/332, 328, 337, 335, 314, 393;
415/60, 66, 68, 208.1, 213.1, 214.1,
415/209.3; 310/257; 361/695; 126/299 D,
126/299 R; D26/59, 89; 416/210 R
CPC F01D 9/042; F04D 25/08; F04D 29/70;
F04D 29/34; F04D 19/00; F24F
7/007; F24F 13/082; F24F 7/065; F24F
13/078; F24F 7/06
See application file for complete search history.

(56) **References Cited**
U.S. PATENT DOCUMENTS
D164,234 S * 8/1951 Greenberg D23/352
D232,095 S * 7/1974 Rousey D23/370

D297,761 S * 9/1988 Shiraki D23/370
4,779,518 A * 10/1988 Artwick F24F 7/013
16/360
5,060,901 A * 10/1991 Lathrop F04D 25/08
248/343
D489,441 S * 5/2004 Wagner D23/370
D557,398 S * 12/2007 Moore D23/382
D597,193 S * 7/2009 Reuter D23/382
8,414,368 B2 * 4/2013 Hansen F04D 25/14
137/512.1
D733,283 S * 6/2015 Larouche D23/379
D733,861 S * 7/2015 Haaf D23/370

* cited by examiner

Primary Examiner — Susan Bennett Hattan
Assistant Examiner — Janice Hallmark
(74) *Attorney, Agent, or Firm* — Jerry Haynes Law

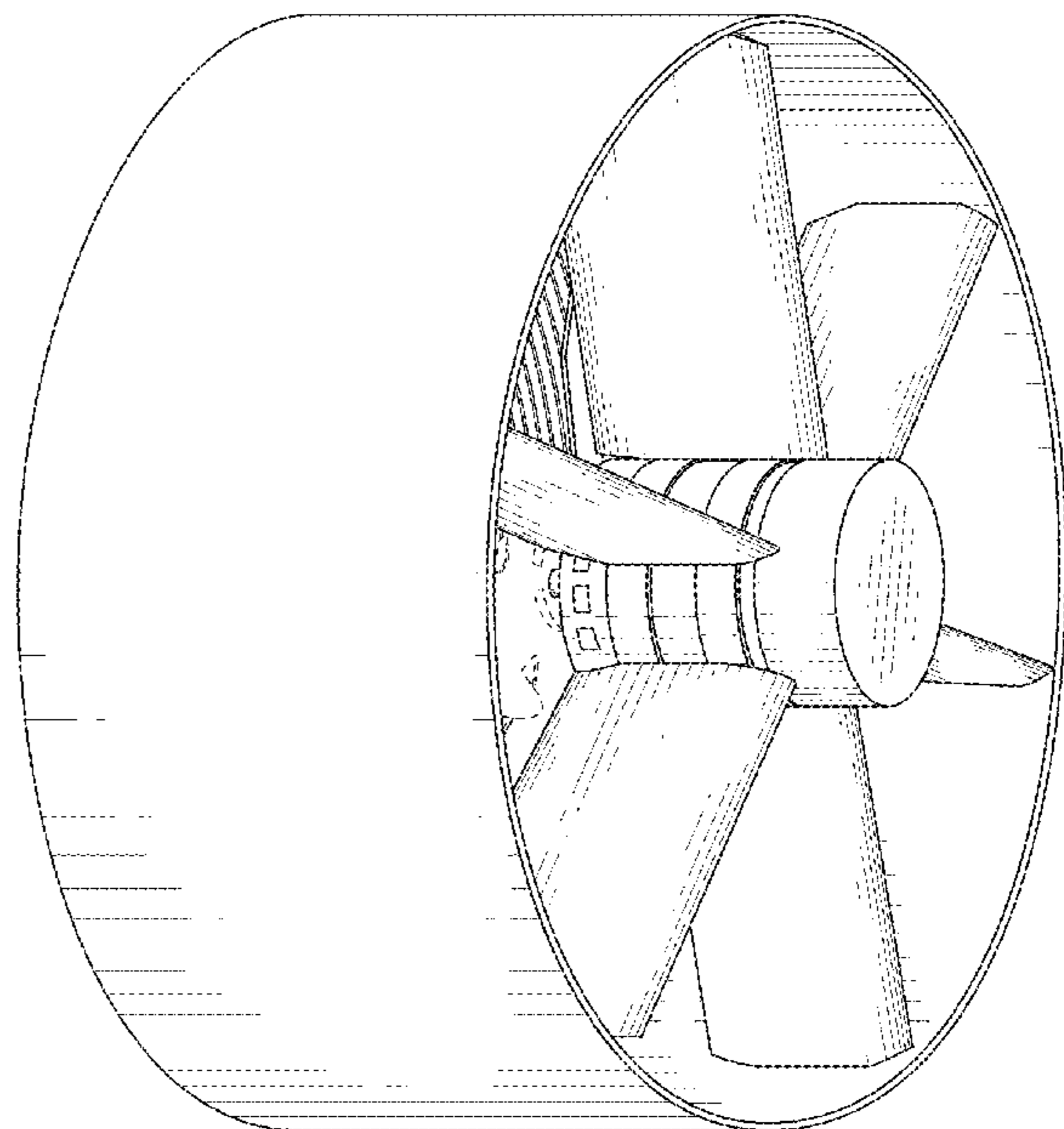
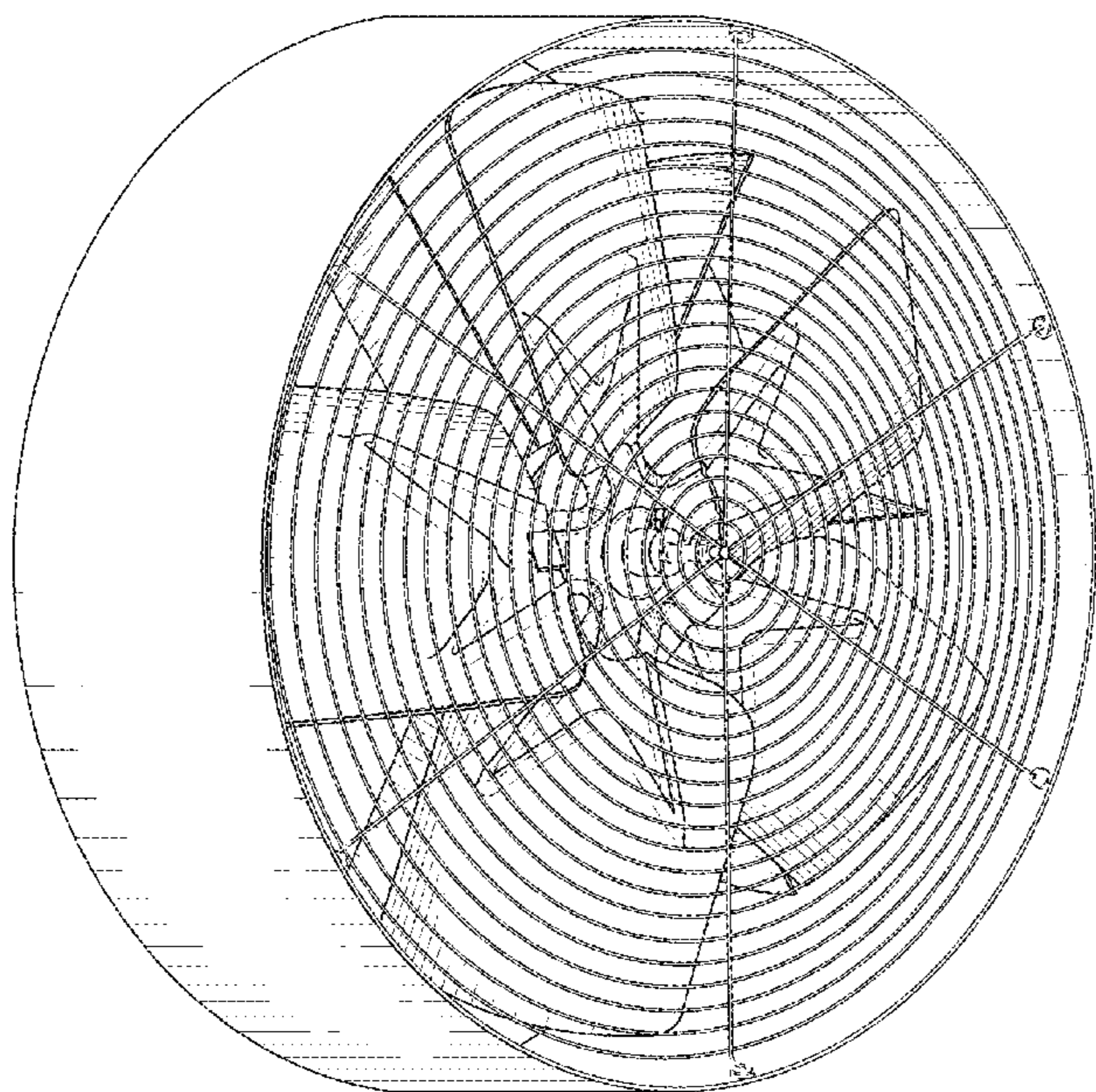
(57) **CLAIM**

The ornamental design for a fan, as shown and described.

DESCRIPTION

FIG. 1 is a front perspective view of a fan showing the new design;
FIG. 2 is a front view thereof;
FIG. 3 is a rear view thereof;
FIG. 4 is a top view thereof, the bottom view, the right side view, and the left side view are mirror images of FIG. 4; and,
FIG. 5 is a rear perspective view thereof.
The broken lines in the drawings depict parts of the fan that form no part of the claimed design.

1 Claim, 4 Drawing Sheets



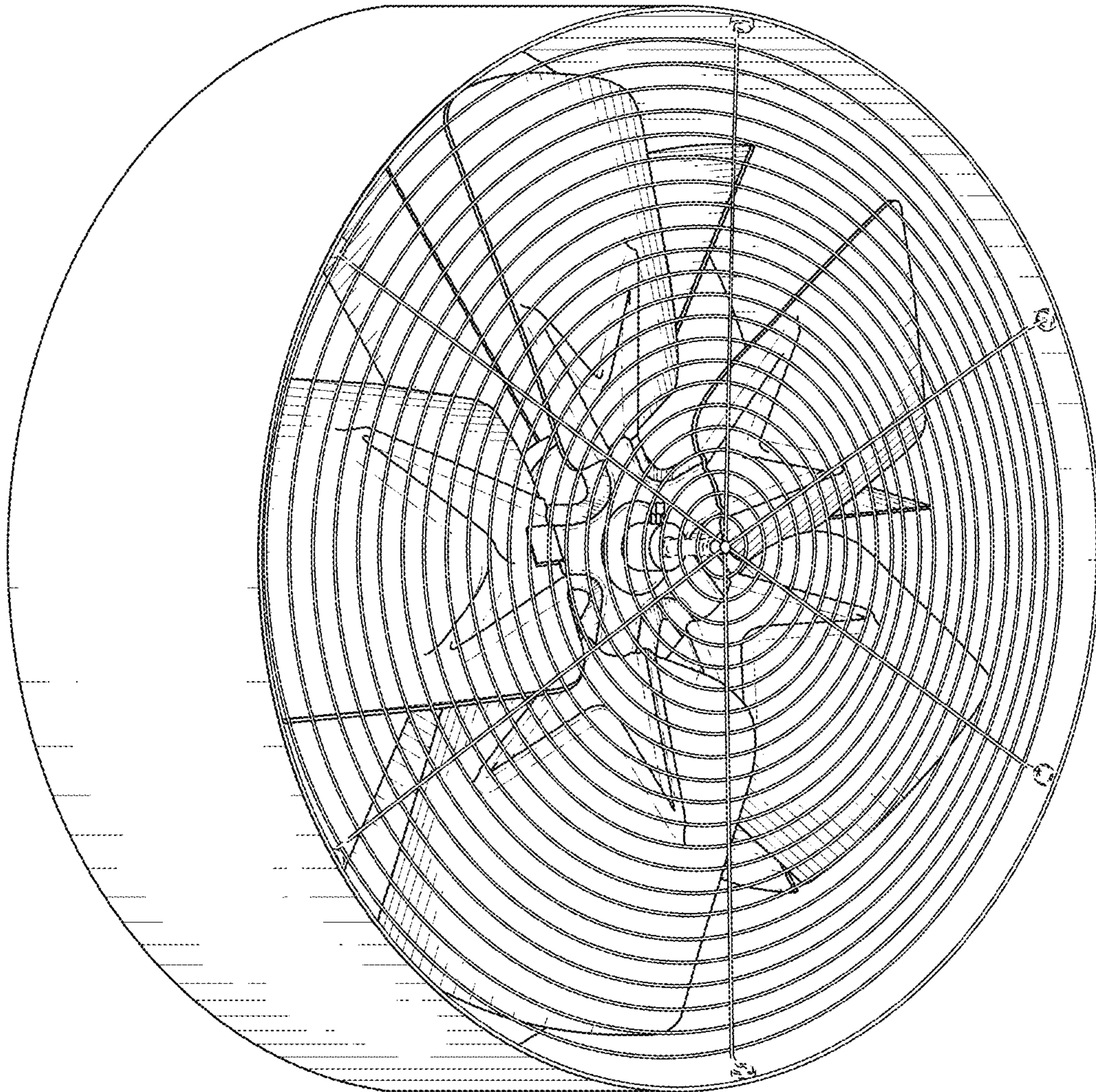


FIG. 1

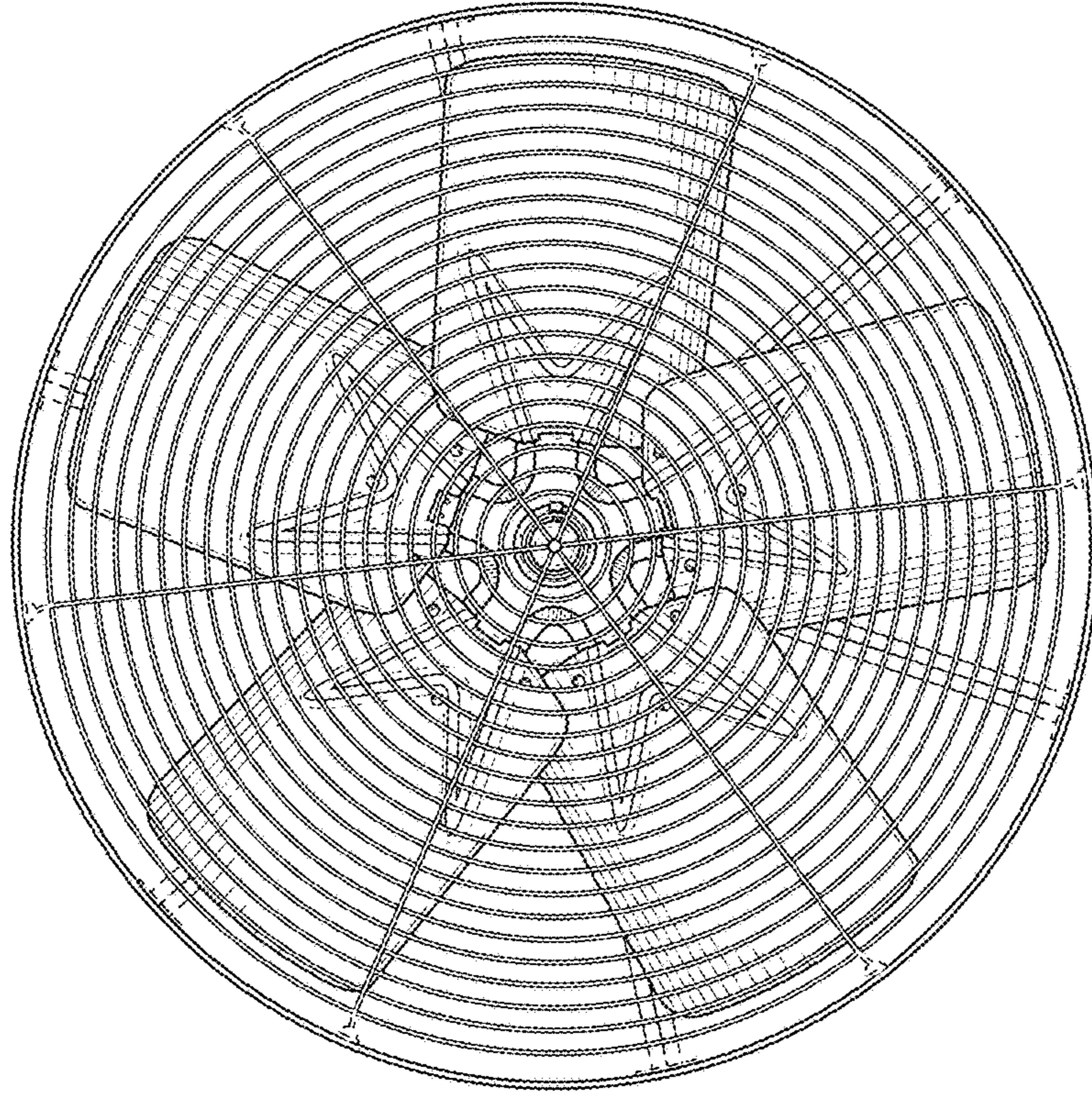


FIG. 2

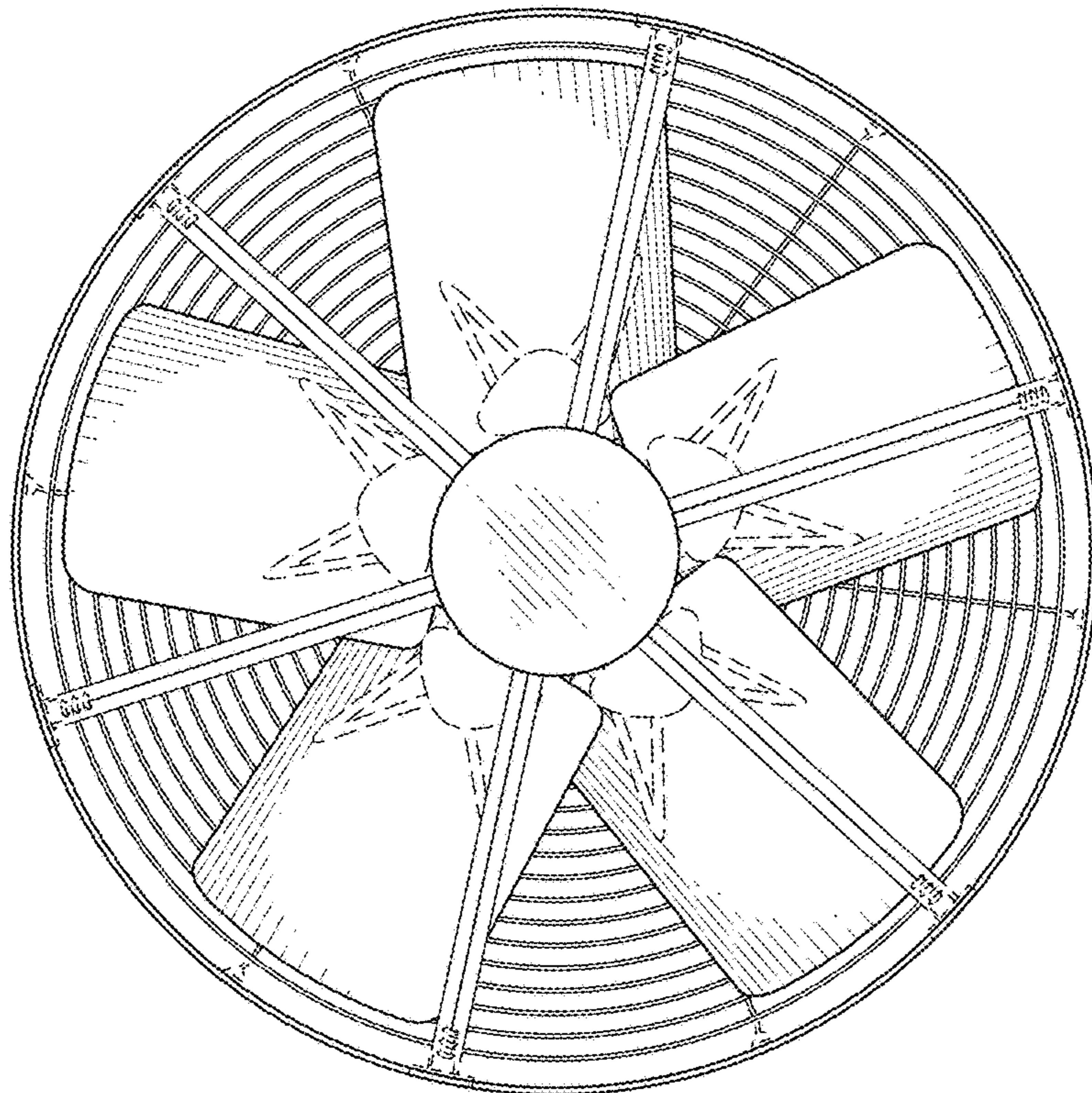


FIG. 3

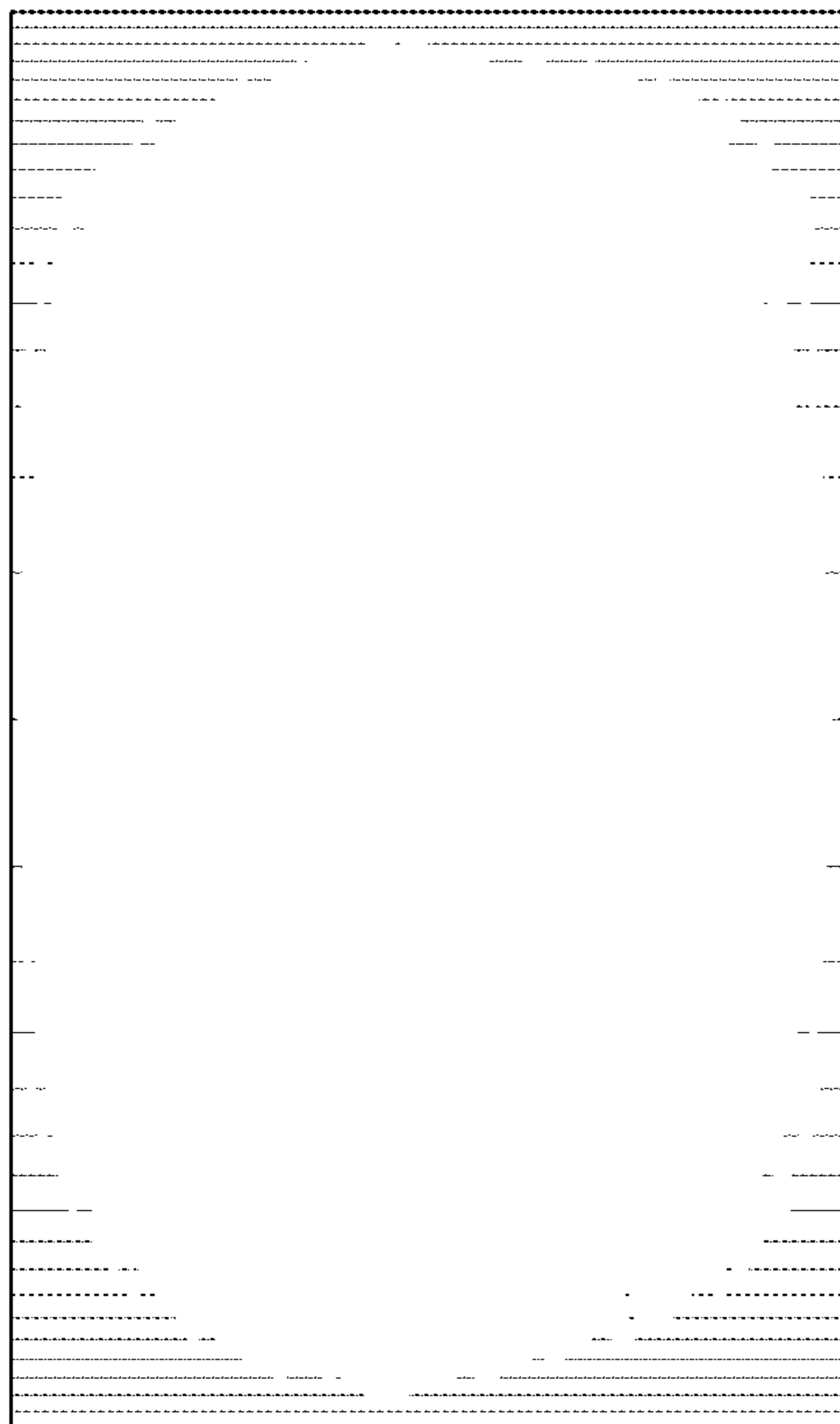


FIG. 4

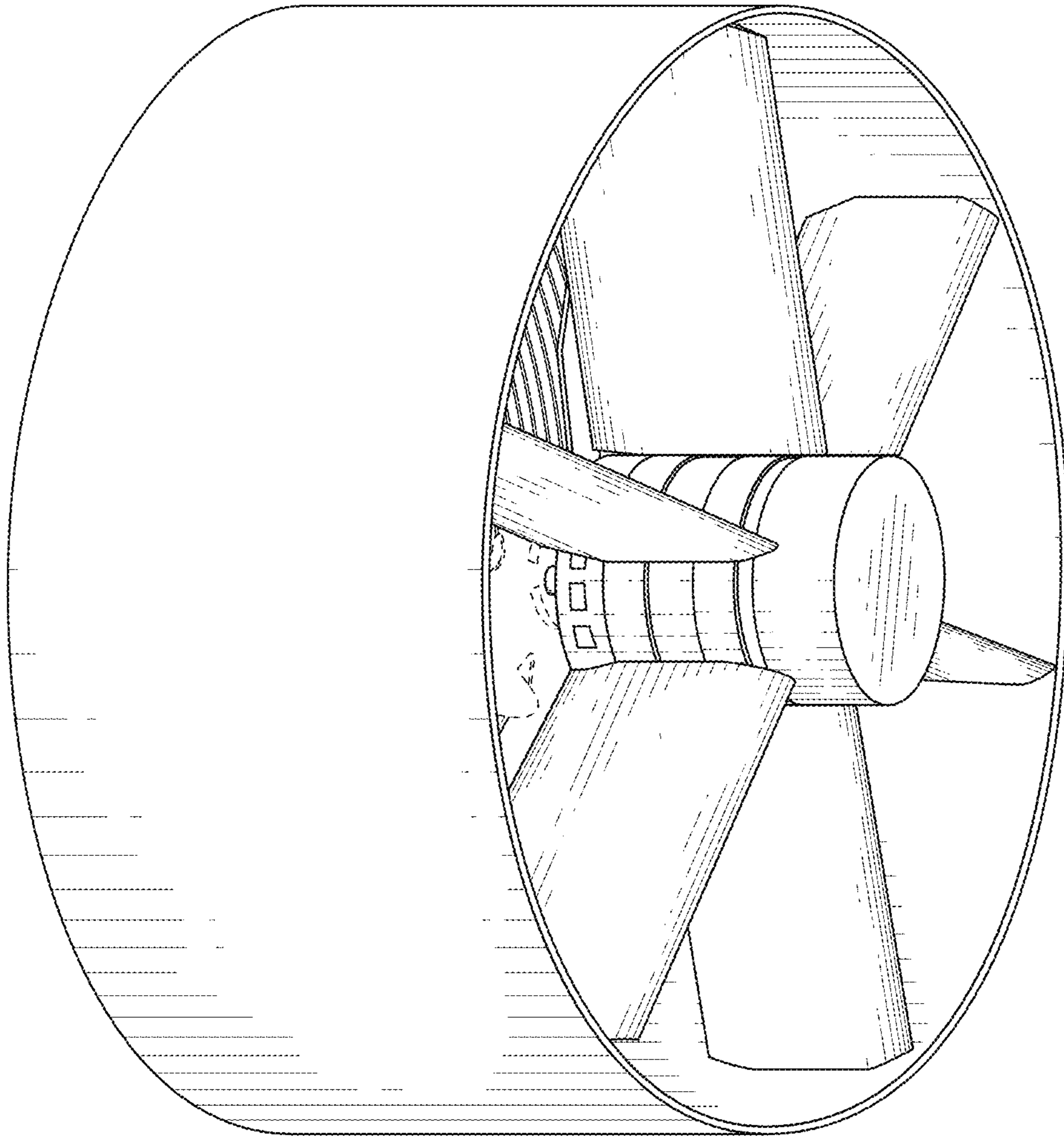


FIG. 5