



US00D775717S

(12) **United States Design Patent** (10) **Patent No.:** **US D775,717 S**
Bergmann et al. (45) **Date of Patent:** **** Jan. 3, 2017**

(54) **HVAC MANIFOLD**

(56) **References Cited**

(71) Applicant: **Stride Tool, Inc.**, Glenwillow, OH (US)

U.S. PATENT DOCUMENTS

(72) Inventors: **James L. Bergmann**, Akron, OH (US);
Robert James Bonitati, Cleveland, OH (US)

D352,149	S	*	11/1994	Nelson	D34/24
D356,415	S	*	3/1995	Minasian	D34/26
D423,173	S	*	4/2000	Horner	D34/24
D459,852	S	*	7/2002	Och	D34/24
6,668,574	B2	*	12/2003	Rakowski	G01L 19/0015 62/292
D517,124	S	*	3/2006	Merril	D21/324
D633,949	S	*	3/2011	Fayram	D21/324
D673,846	S	*	1/2013	Seman	D9/415

(73) Assignee: **North Park Innovations Group, Inc.**,
Ellicottville, NY (US)

(**) Term: **14 Years**

* cited by examiner

(21) Appl. No.: **29/492,795**

Primary Examiner — Susan E Krakower

(22) Filed: **Jun. 3, 2014**

Assistant Examiner — Lisa A Grabenstetter

(51) **LOC (10) Cl.** **23-04**

(74) *Attorney, Agent, or Firm* — Tarolli, Sundheim,
Covell & Tummino LLP

(52) **U.S. Cl.**
USPC **D23/354**

(57) **CLAIM**

The ornamental design for an HVAC manifold, as shown and described.

(58) **Field of Classification Search**

DESCRIPTION

USPC D10/49, 50, 51, 102; D21/324; D23/314,
D23/317, 324, 325, 328, 329, 330, 332,
D23/333, 335, 341, 342, 351, 353, 354,
D23/355, 356, 357, 359, 364, 365, 366,
D23/370, 375, 379, 385, 386, 388, 393,
D34/499; 12, 26

CPC F24F 1/00; F24F 1/02; F24F 1/08;
F24F 1/42; F24F 1/46; F24F 1/60; F24F
1/0003; F24F 1/007; F24F 1/0011; F24F
3/044; F24F 3/048; F24F 3/016; F24F
7/00; F24F 7/04; F24F 12/001; F24F
12/006; F24F 13/20

FIG. 1 is a front perspective view of an HVAC manifold showing our new design.

FIG. 2 is a rear perspective view thereof.

FIG. 3 is a front view thereof.

FIG. 4 is a rear view thereof.

FIG. 5 is a right side view thereof.

FIG. 6 is a left side view thereof.

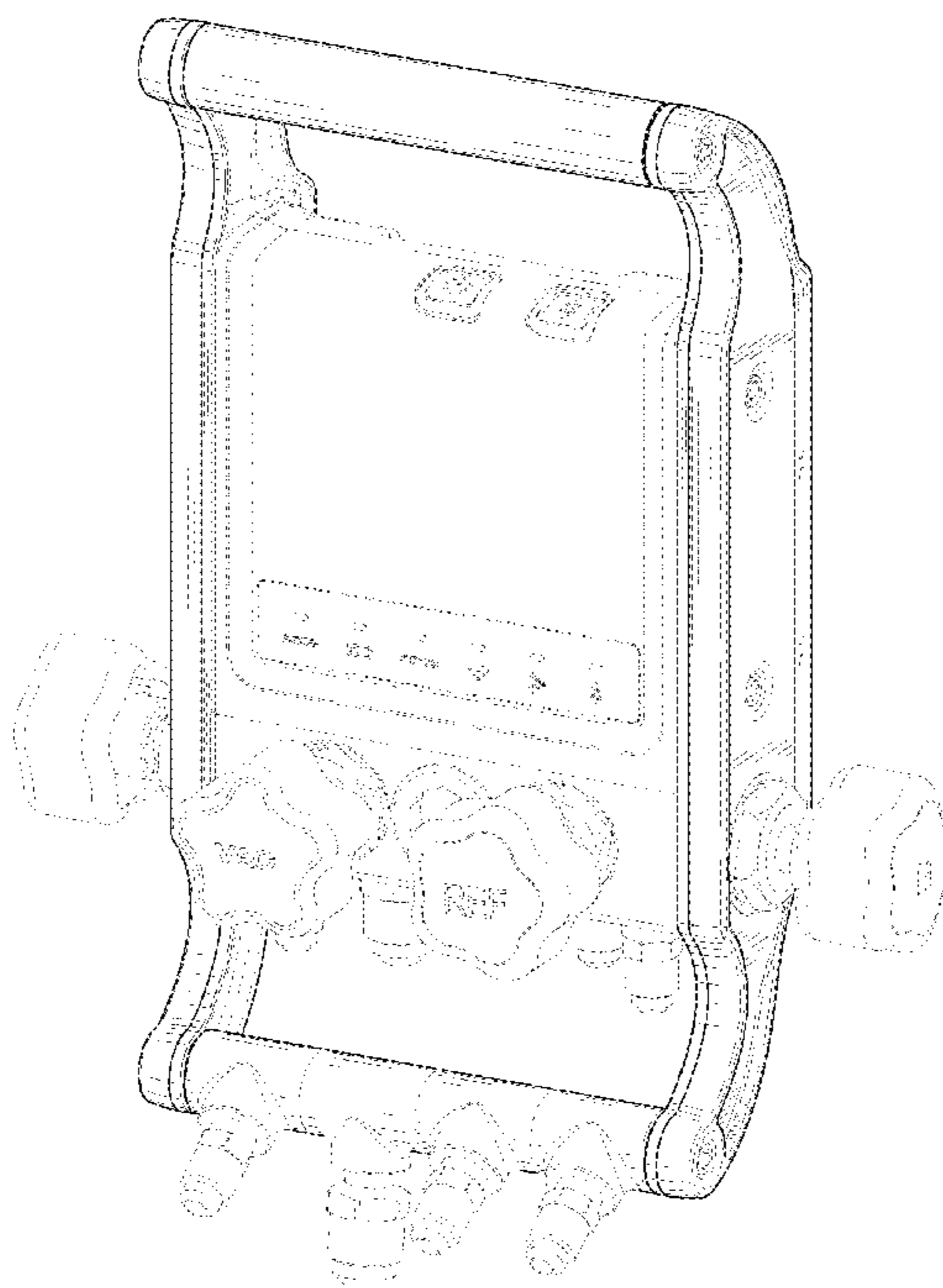
FIG. 7 is a top plan view thereof; and,

FIG. 8 is a bottom plan view thereof.

The broken lines depict unclaimed portions of the design.

See application file for complete search history.

1 Claim, 6 Drawing Sheets



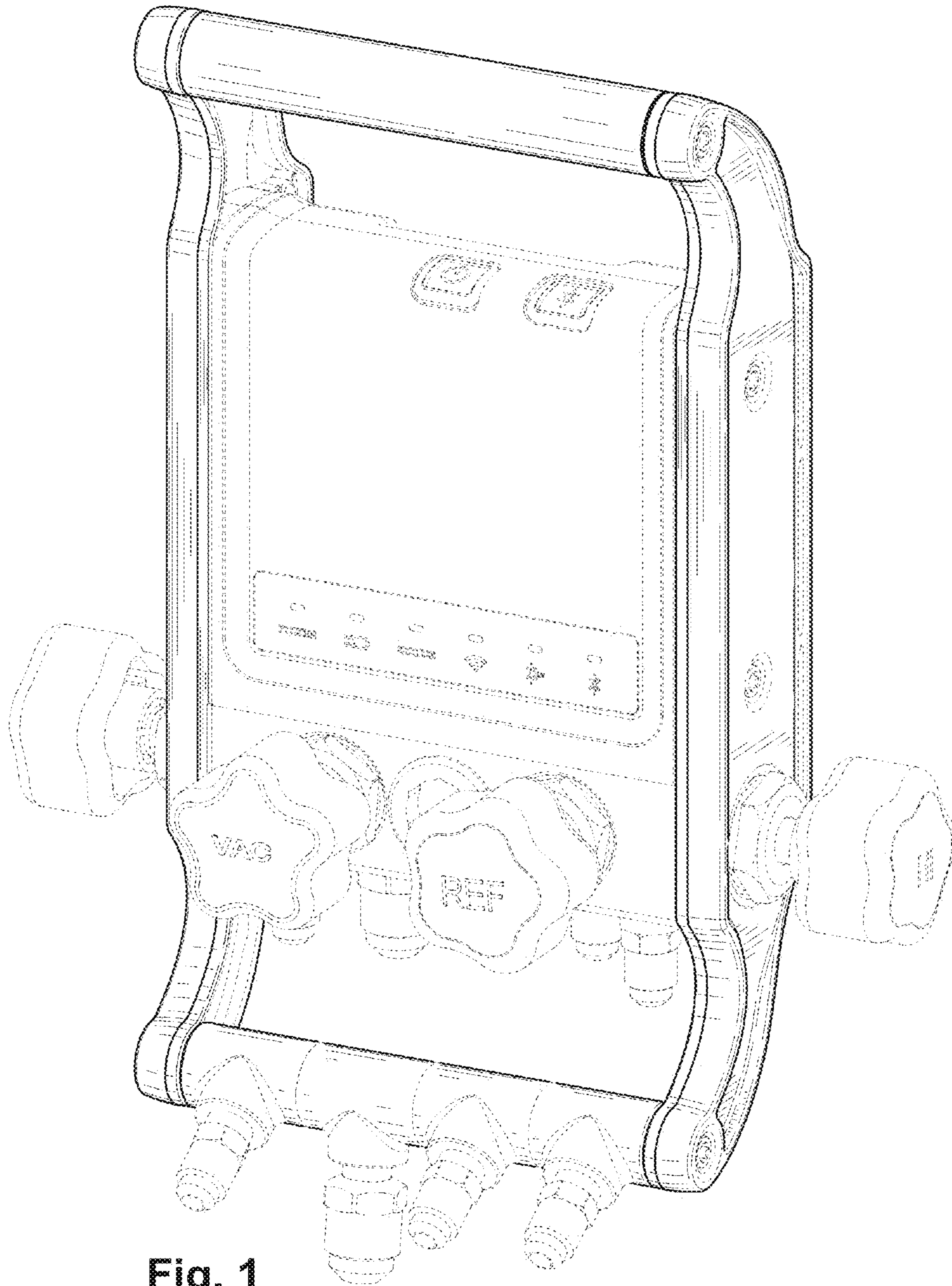


Fig. 1

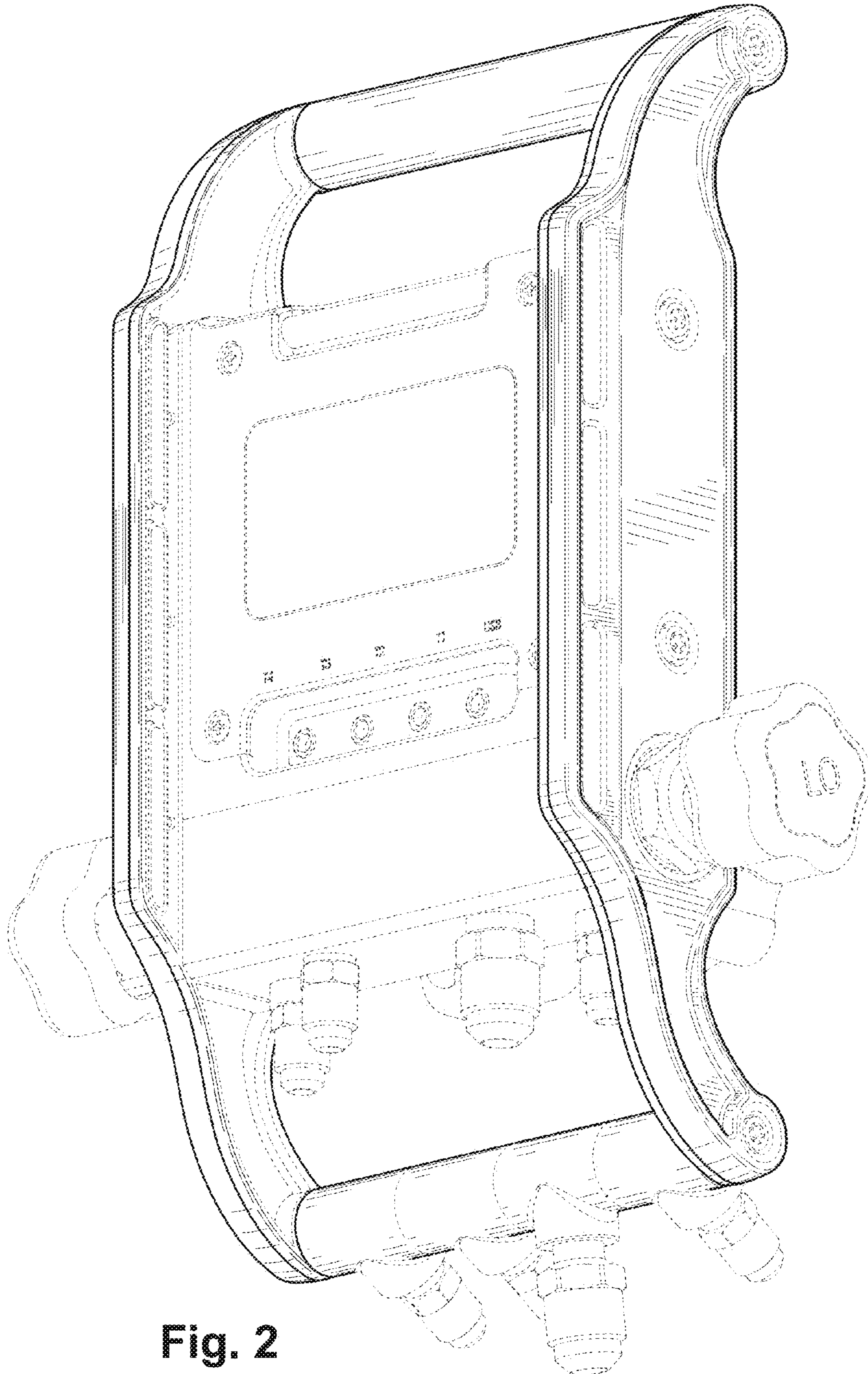


Fig. 2

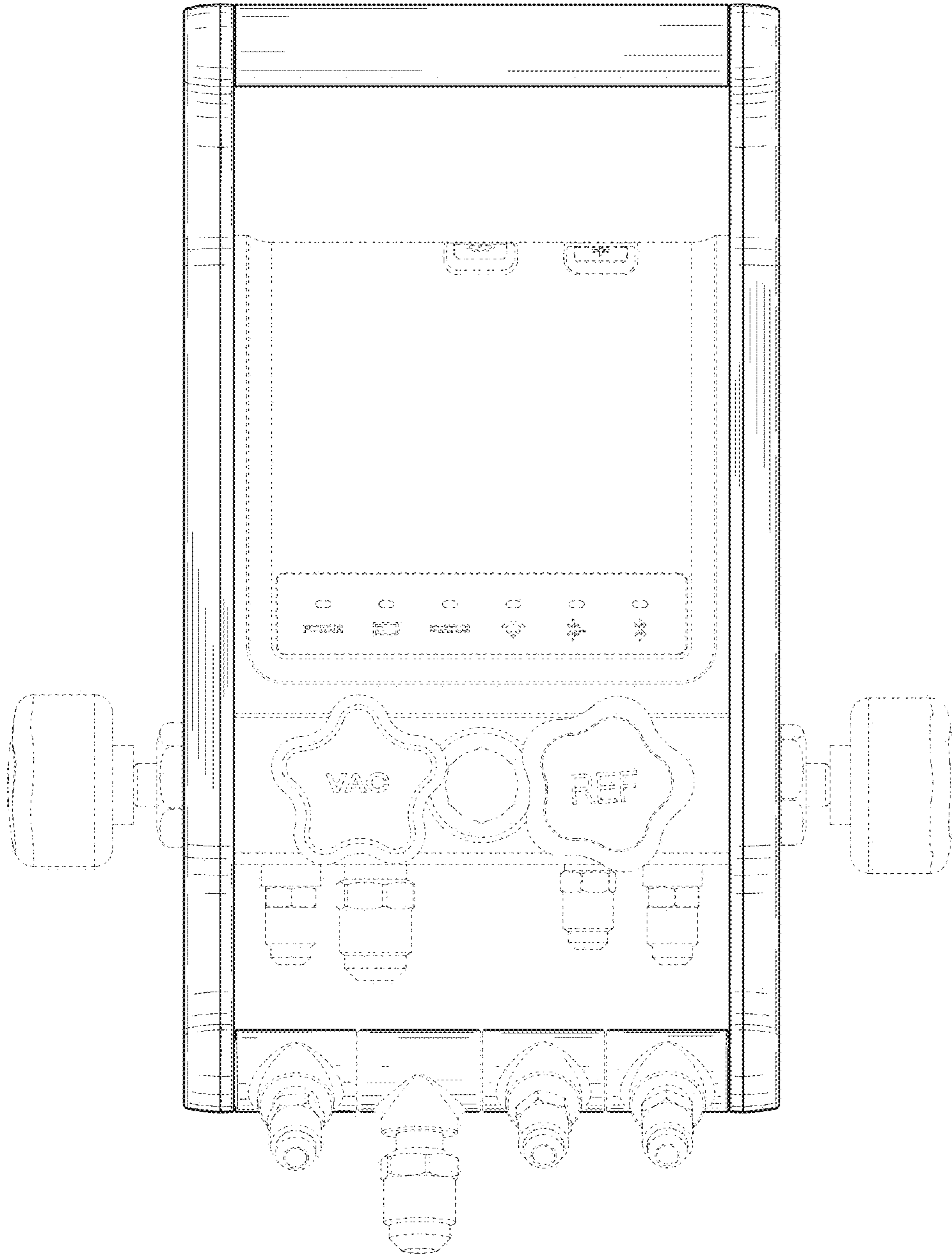


Fig. 3

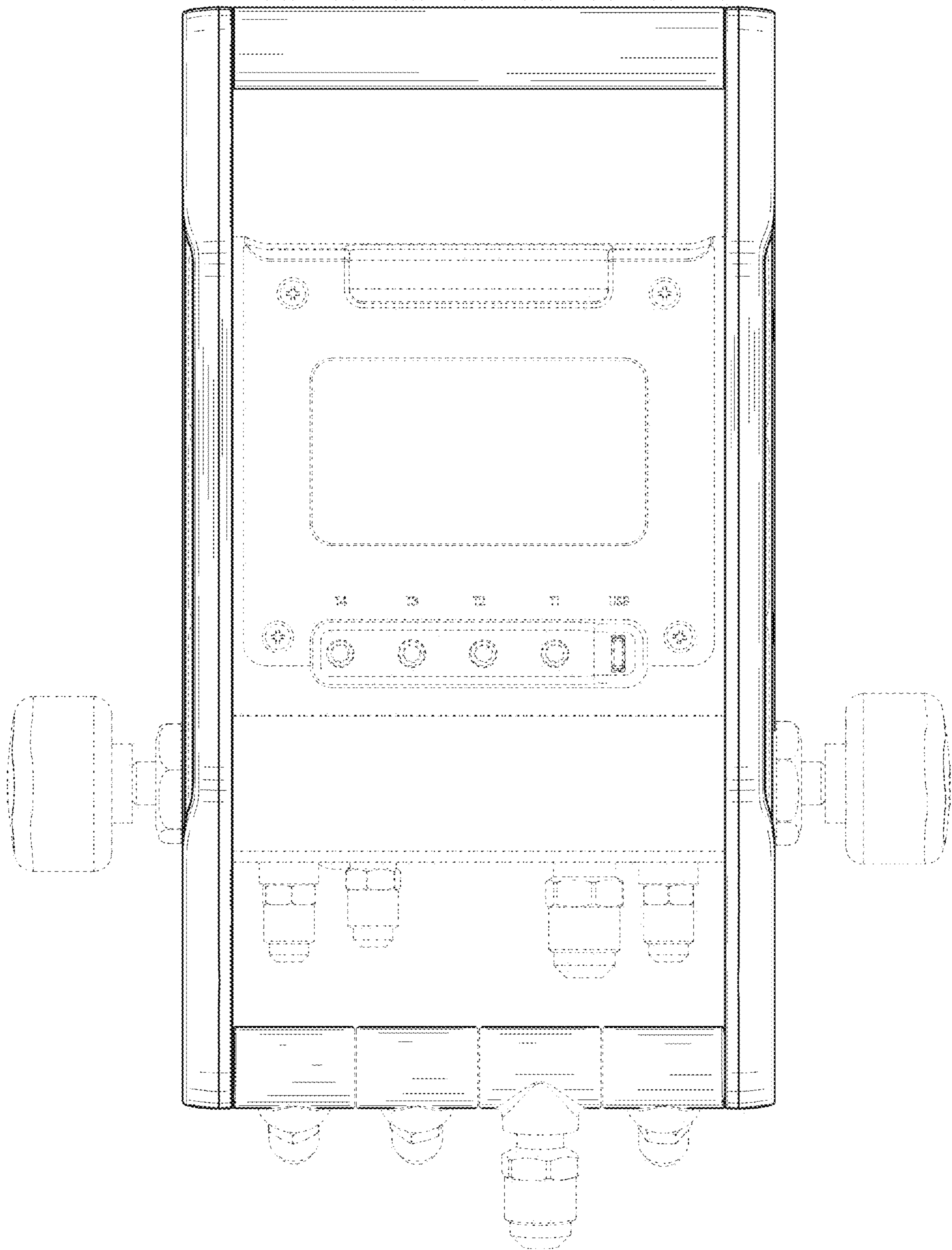


Fig. 4

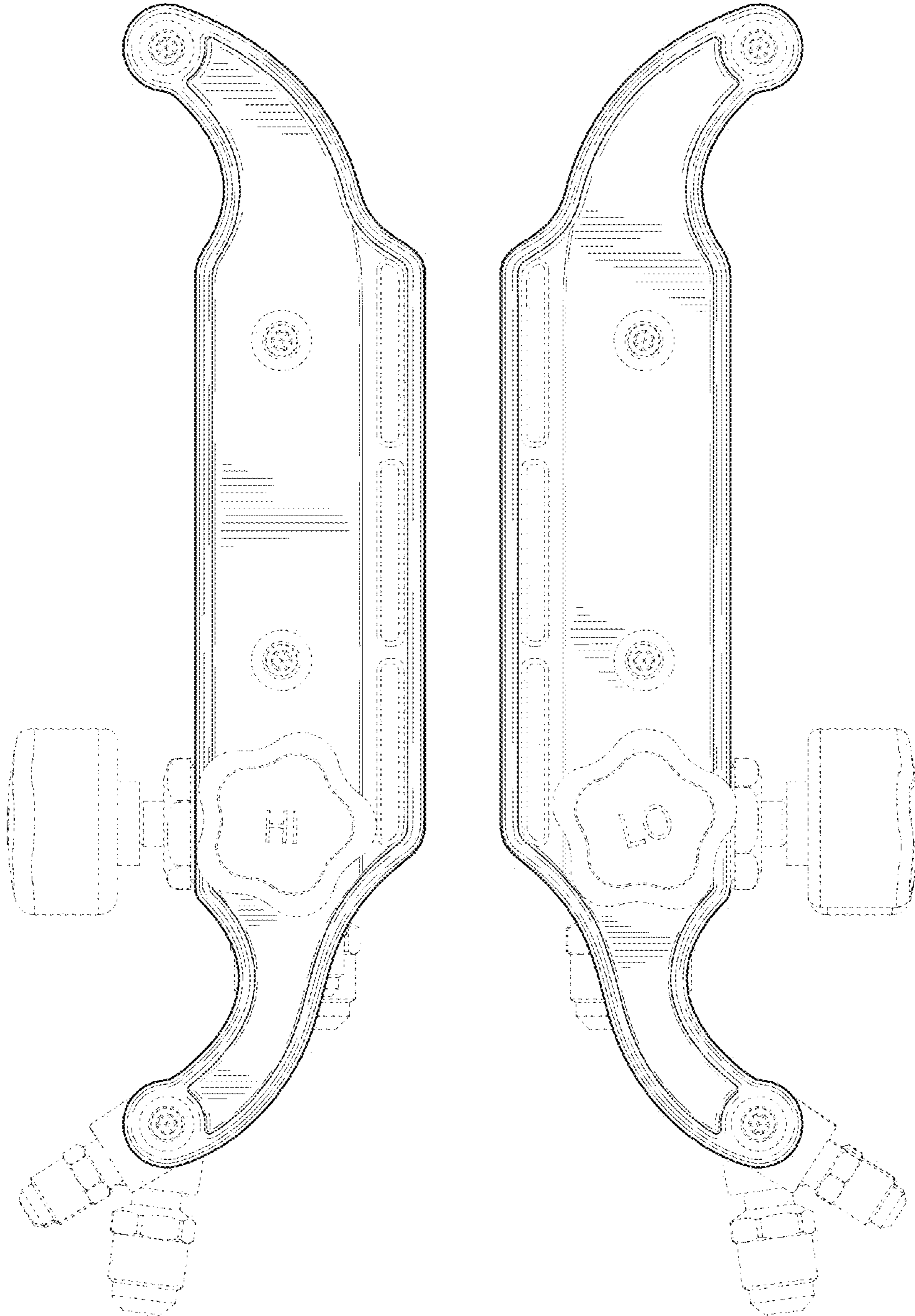


Fig. 5

Fig. 6

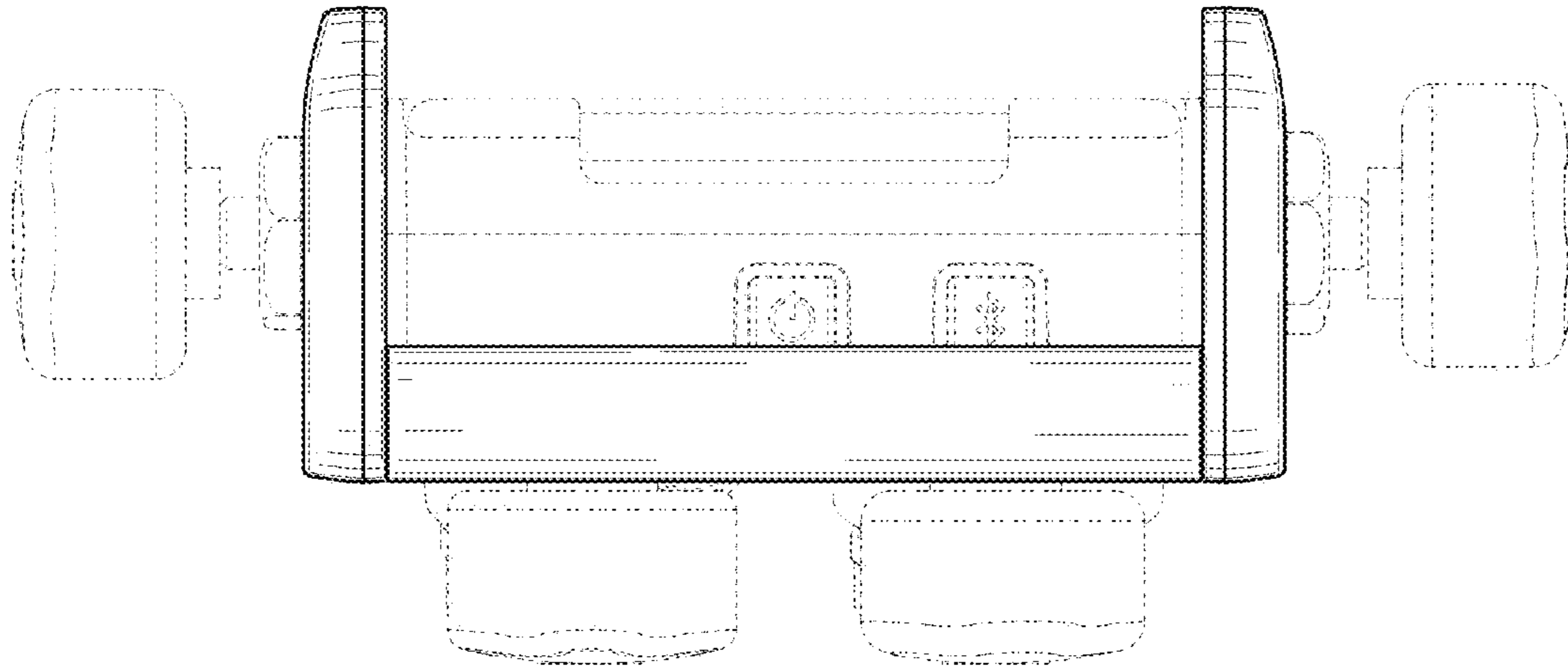


Fig. 7

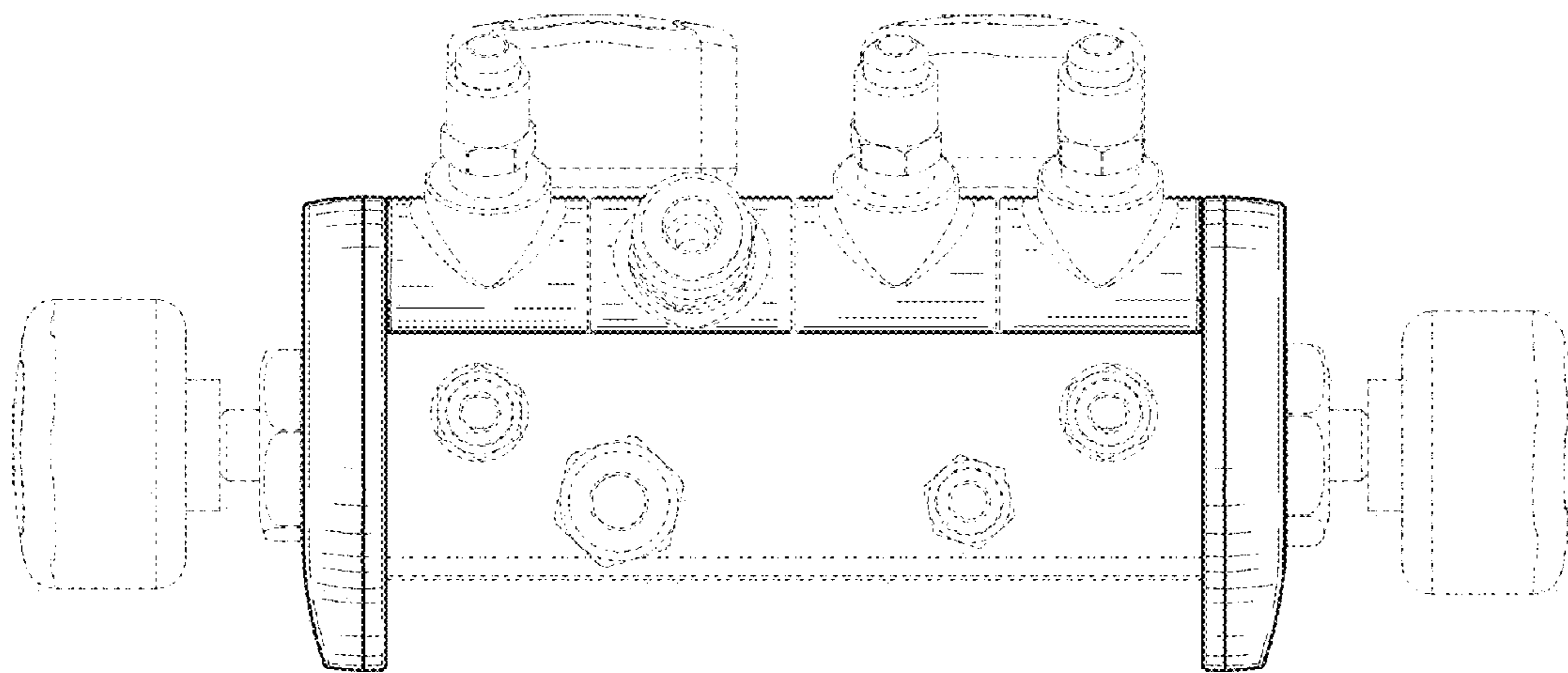


Fig. 8