



US00D775714S

(12) **United States Design Patent** (10) **Patent No.:** **US D775,714 S**
Robb (45) **Date of Patent:** **** Jan. 3, 2017**

(54) **HANDICAP ACCESSIBLE CAMPFIRE STOVE AND FIRE PIT**

3,742,839 A 7/1973 Maley
3,851,639 A 12/1974 Beddoe
3,938,494 A 2/1976 Clark

(Continued)

(71) Applicant: **Michael V Robb**, Trinidad, CO (US)

Primary Examiner — T. Chase Nelson

(72) Inventor: **Michael V Robb**, Trinidad, CO (US)

Assistant Examiner — Ania Aman

(**) Term: **14 Years**

(74) *Attorney, Agent, or Firm* — Trenner Law Firm, LLC; Mark D. Trenner

(21) Appl. No.: **29/523,730**

(57) **CLAIM**

(22) Filed: **Apr. 13, 2015**

The ornamental design for a handicap accessible campfire stove and fire pit, as shown and described.

(51) **LOC (10) Cl.** **23-03**

DESCRIPTION

(52) **U.S. Cl.**

USPC **D23/343**

(58) **Field of Classification Search**

USPC D23/317, 314, 332, 333, 334, 335, 337, D23/342, 351, 355, 378, 370, 381, 364, D23/336, 341, 343, 348, 401; 126/30; D7/332, 333, 334, 335, 336, 337, 402, D7/403, 404, 405, 352, 323, 347, 339
CPC F24C 1/16; F24C 5/00; A47J 33/00; A47J 37/07; A47J 37/0763; F24B 1/18; F24B 1/182; F24B 1/1808; F24B 1/181; F24B 1/191; F24B 1/195
See application file for complete search history.

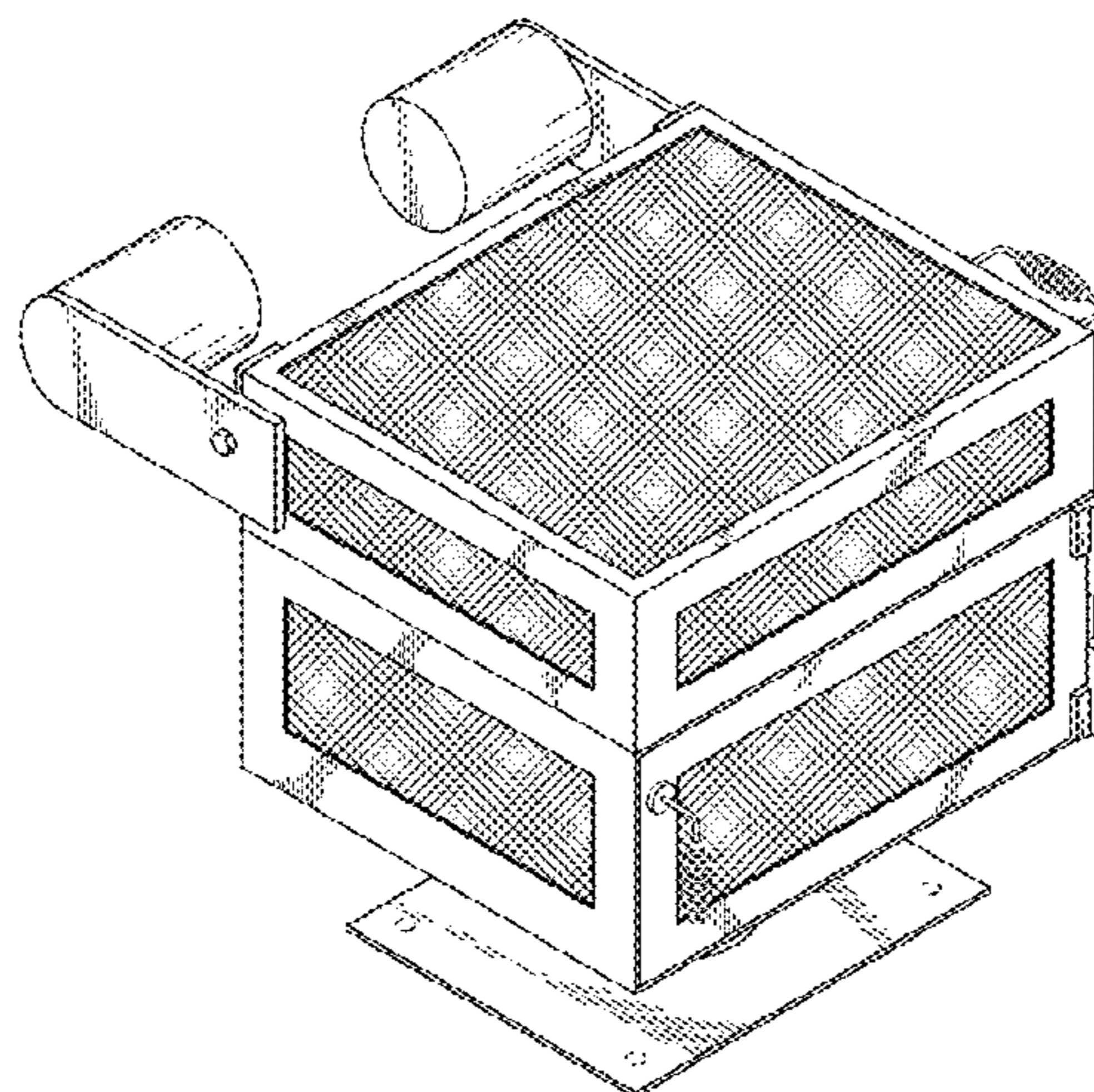
FIG. 1 is a front perspective view of the handicap accessible campfire stove and fire pit design;
FIG. 2 is a rear perspective view of the handicap accessible campfire stove and fire pit design;
FIG. 3 is a front view of the design corresponding to FIGS. 1 and 2;
FIG. 4 is a back view of the design corresponding to FIGS. 1 and 2;
FIG. 5 is a right-side view of the design corresponding to FIGS. 1 and 2;
FIG. 6 is a left-side view of the design corresponding to FIGS. 1 and 2;
FIG. 7 is a top view of the design corresponding to FIGS. 1 and 2; and
FIG. 8 is a bottom view of the design corresponding to FIGS. 1 and 2;
FIG. 9 is a perspective view of the handicap accessible campfire stove and fire pit design corresponding to FIGS. 1 and 2 with the lid shown in an open position; and,
FIG. 10 is a perspective view of the handicap accessible campfire stove and fire pit design corresponding to FIGS. 1 and 2 with the lid and door shown in an open position.
The broken line shown in the drawings are for the purpose of illustrating portions of the article that form no part of the claimed design.

(56) **References Cited**

U.S. PATENT DOCUMENTS

1,051,503 A * 1/1913 Klein A47J 37/0704
126/275 R
1,626,035 A * 4/1927 Hanson F24C 1/16
126/38
2,161,669 A 6/1939 Freeman
2,627,854 A 2/1953 Sava
2,747,566 A 5/1956 Werden
2,928,385 A * 3/1960 Peplin A47J 37/0763
126/25 R
3,378,002 A 4/1968 Hink
3,498,210 A 3/1970 O'Toole
3,511,222 A 5/1970 Miller

1 Claim, 8 Drawing Sheets



(56)

References Cited

U.S. PATENT DOCUMENTS

4,077,387	A	3/1978	Bateman	
4,651,708	A	3/1987	Groeneweg	
5,203,316	A	4/1993	Pritchett	
5,683,157	A *	11/1997	Peterson A47J 47/16 312/100
5,752,497	A	5/1998	Combs et al.	
5,819,720	A	10/1998	Schubert	
6,640,803	B2	11/2003	Davis et al.	
D729,914	S *	5/2015	Kinchen D23/332
2012/0266760	A1	10/2012	Bryce	
2013/0298895	A1	11/2013	Robb	
2015/0075511	A1 *	3/2015	Kramer F24B 1/195 126/150

* cited by examiner

FIG. 1

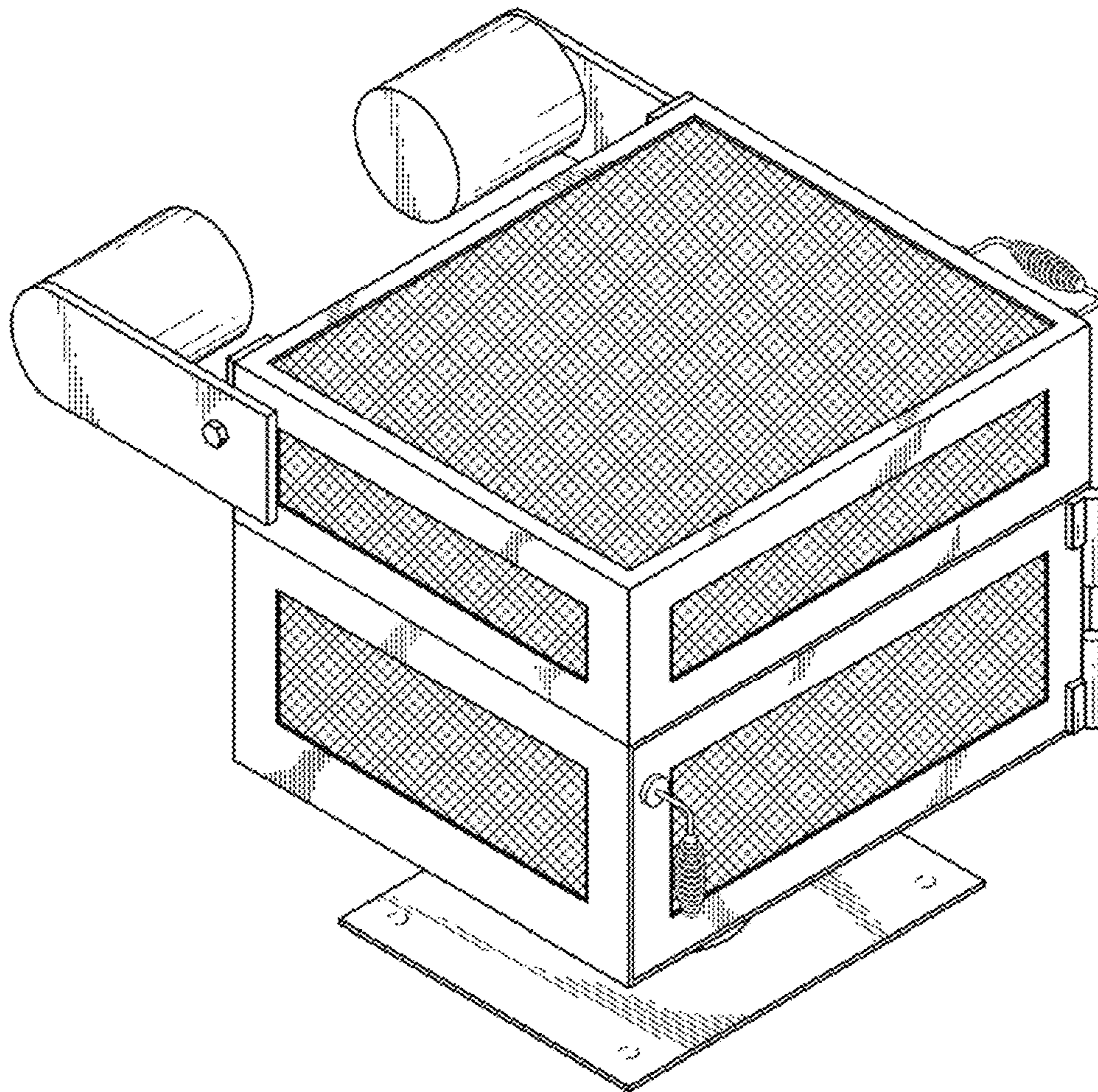


FIG. 2

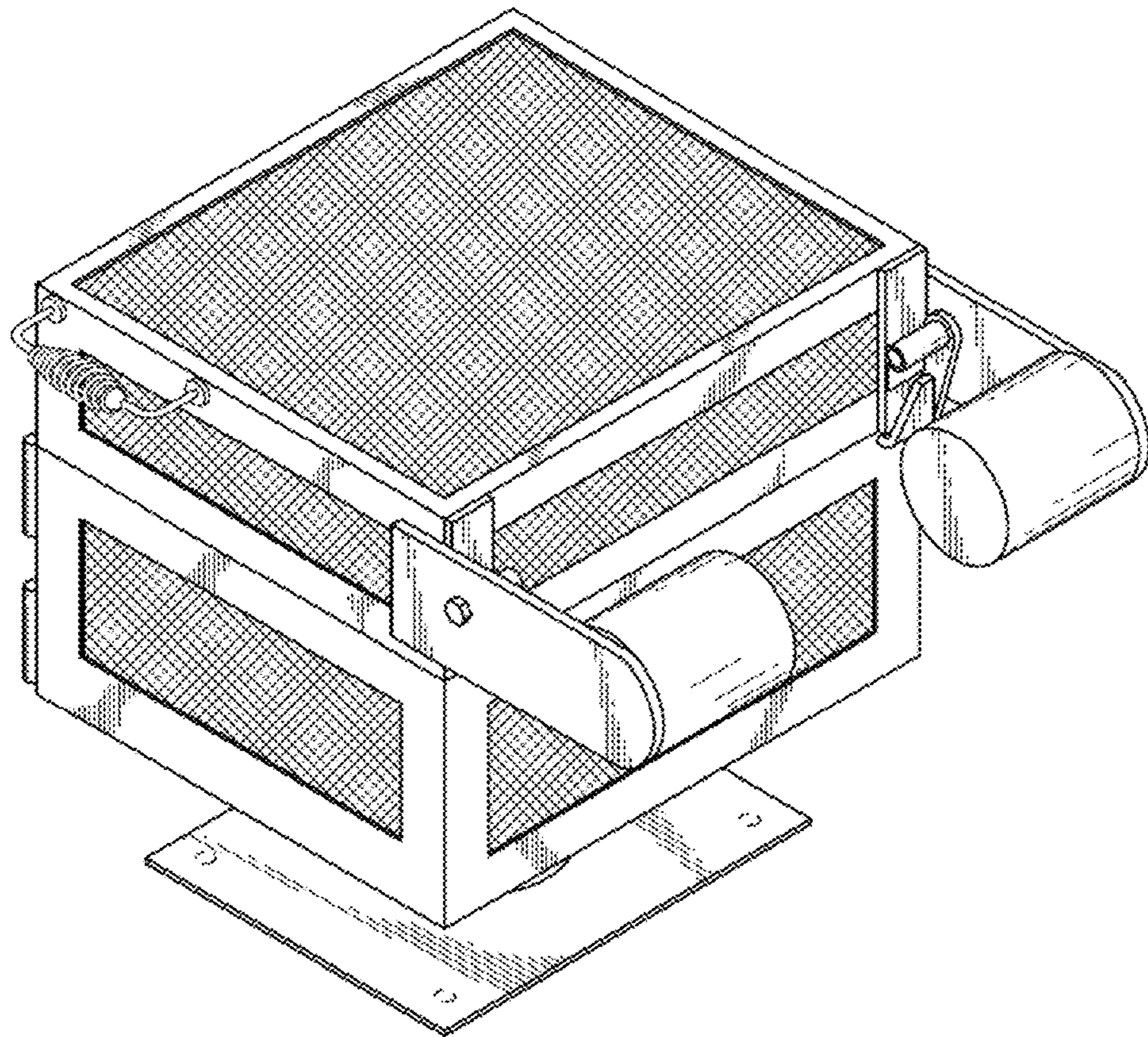


FIG. 4

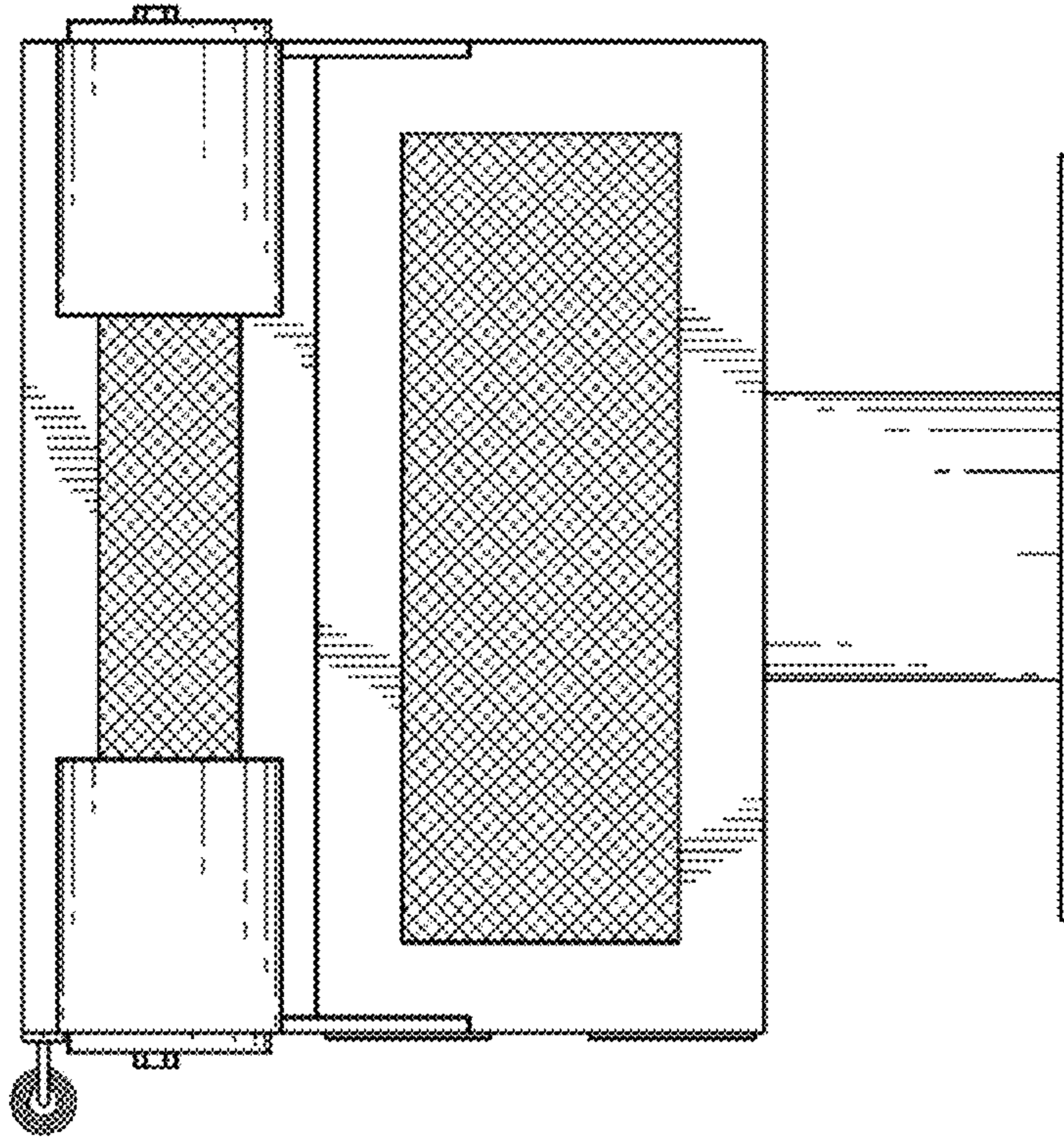


FIG. 3

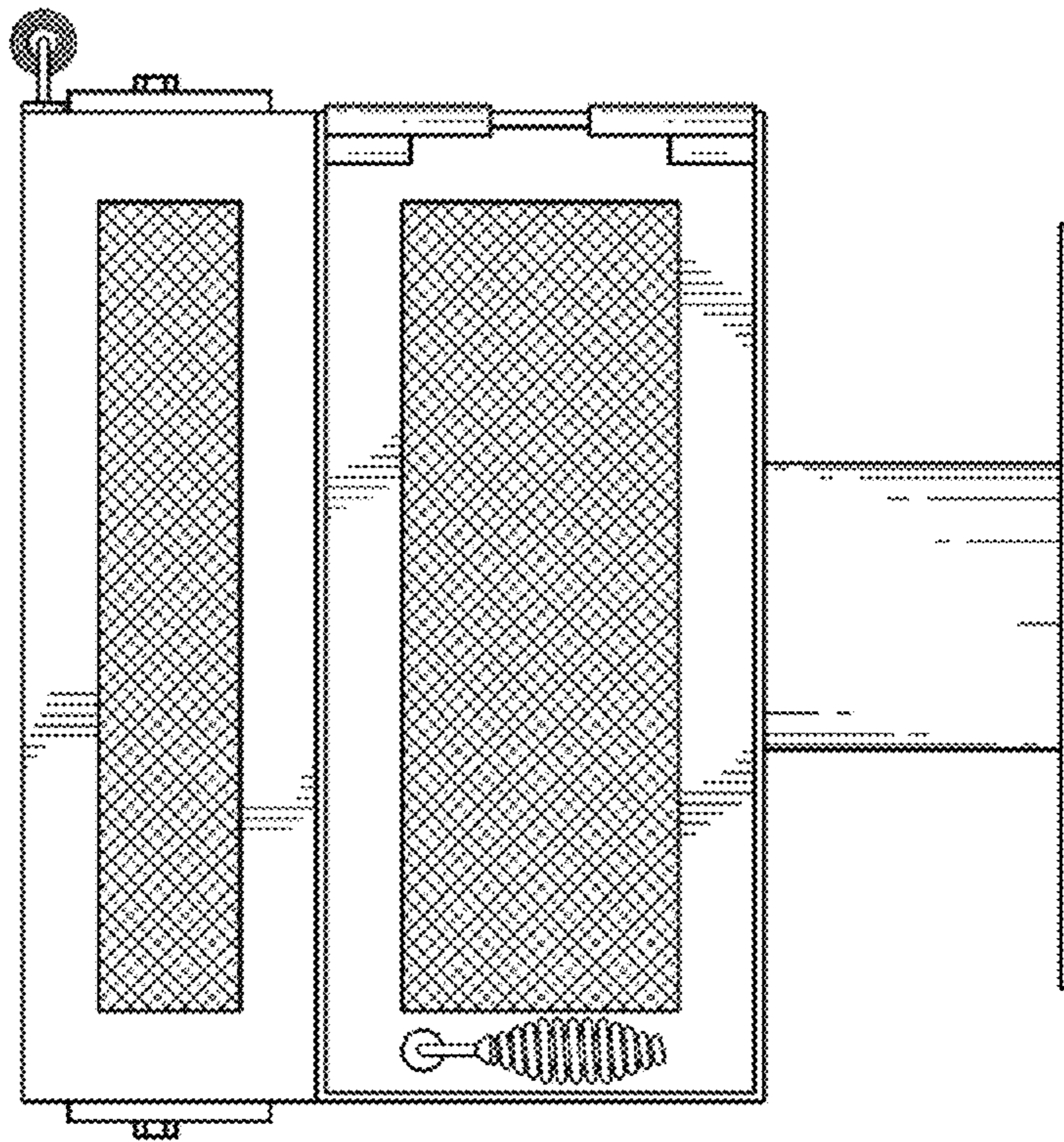


FIG. 5

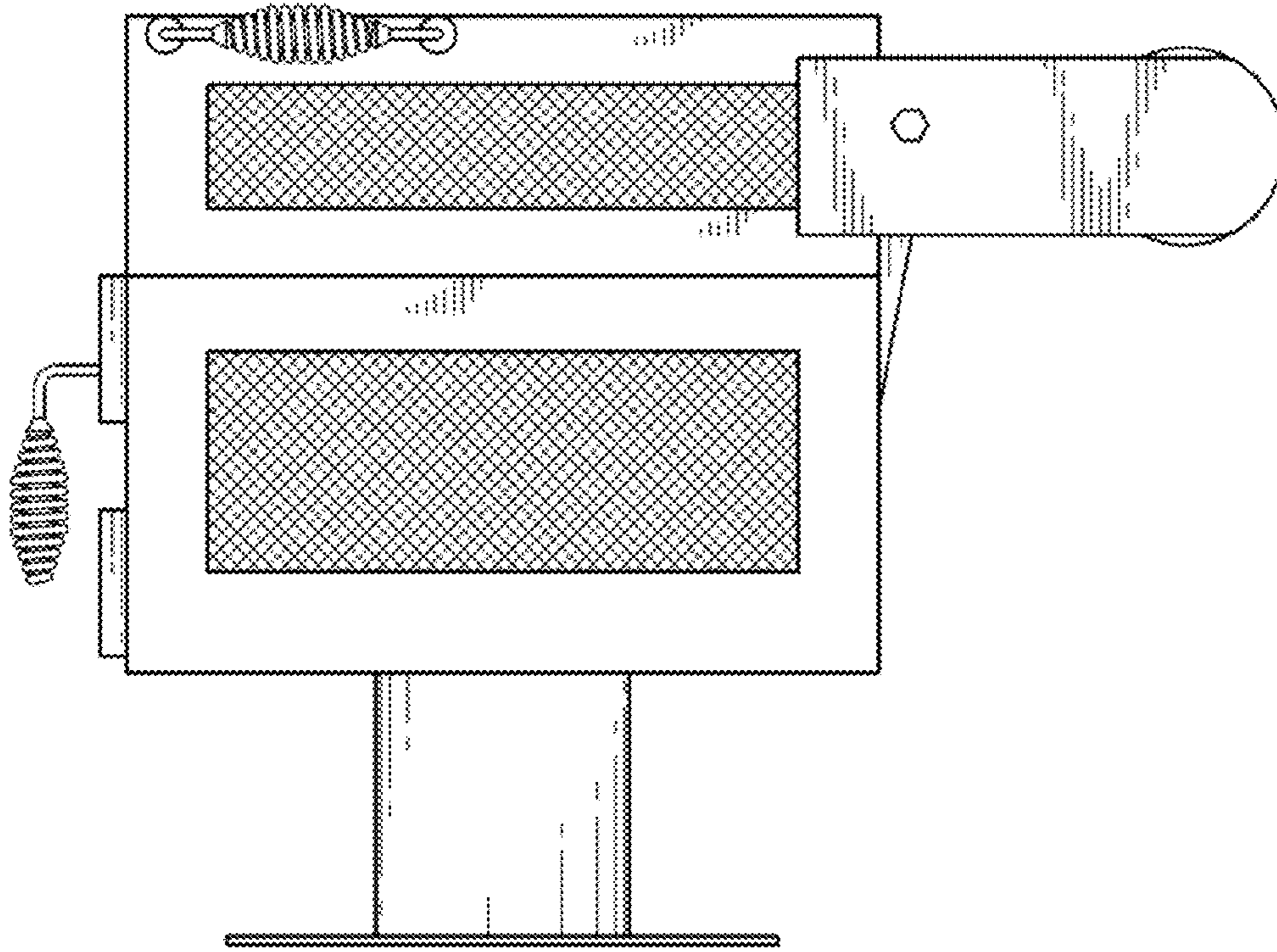


FIG. 6

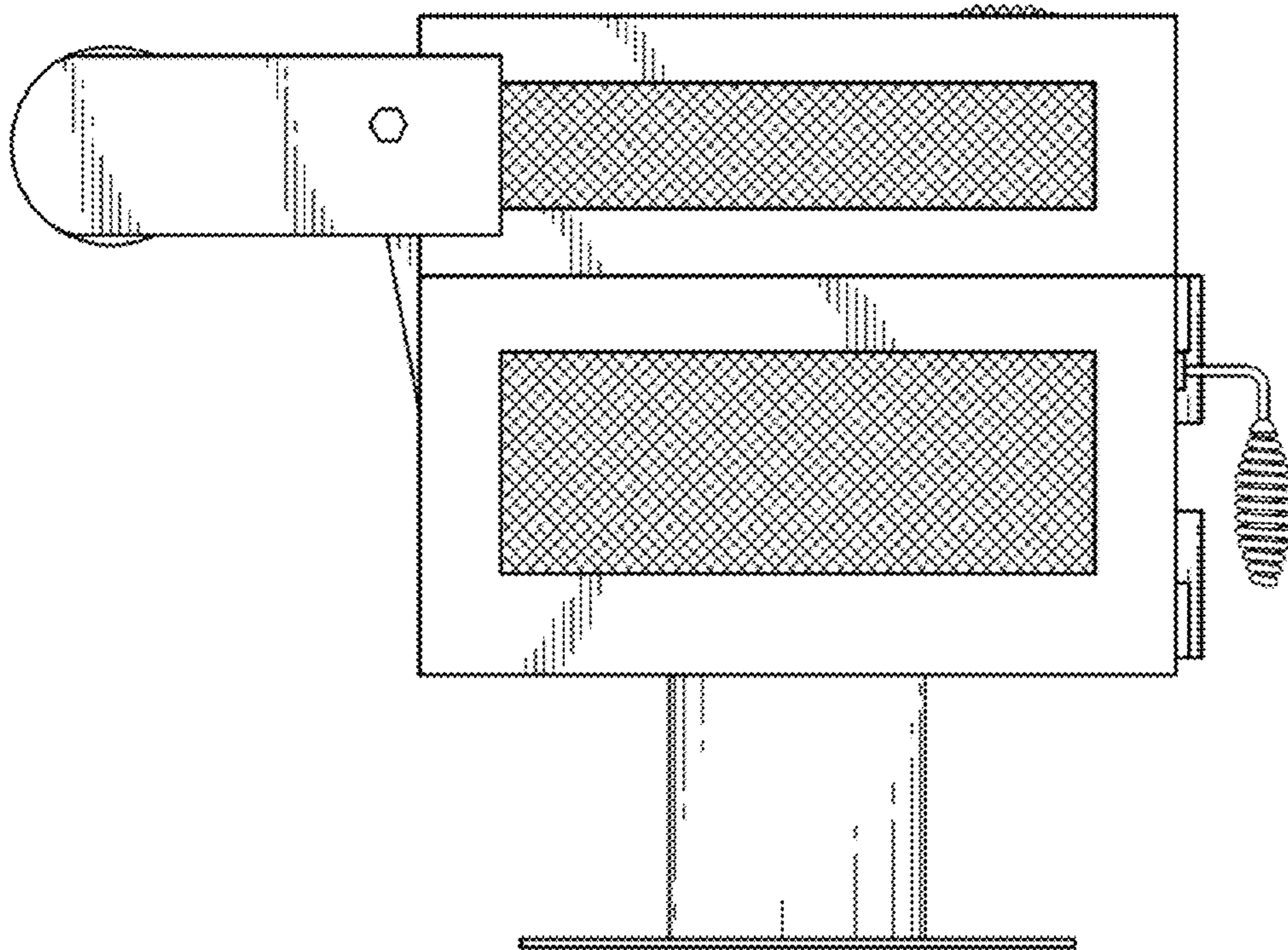


FIG. 7

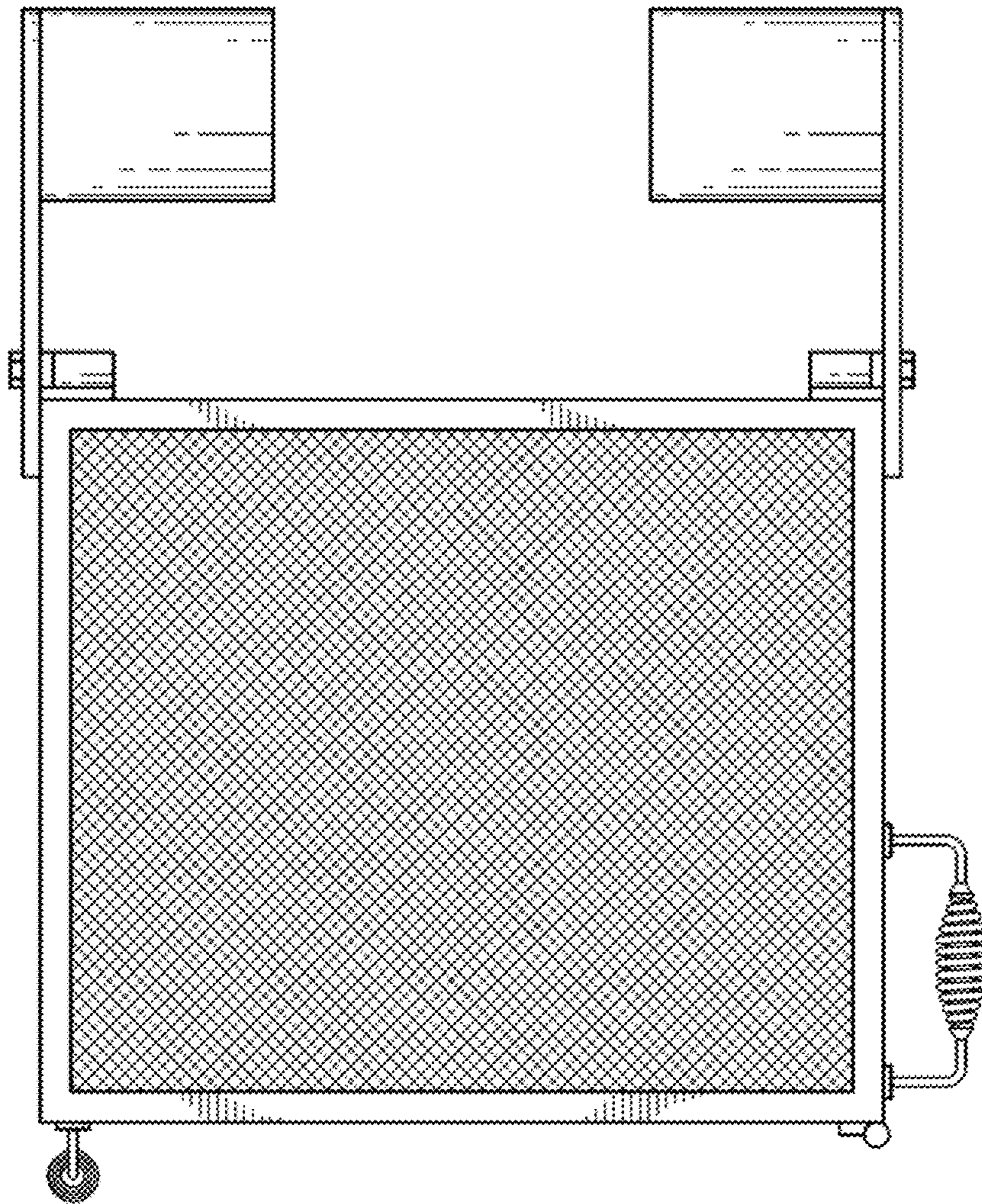


FIG. 8

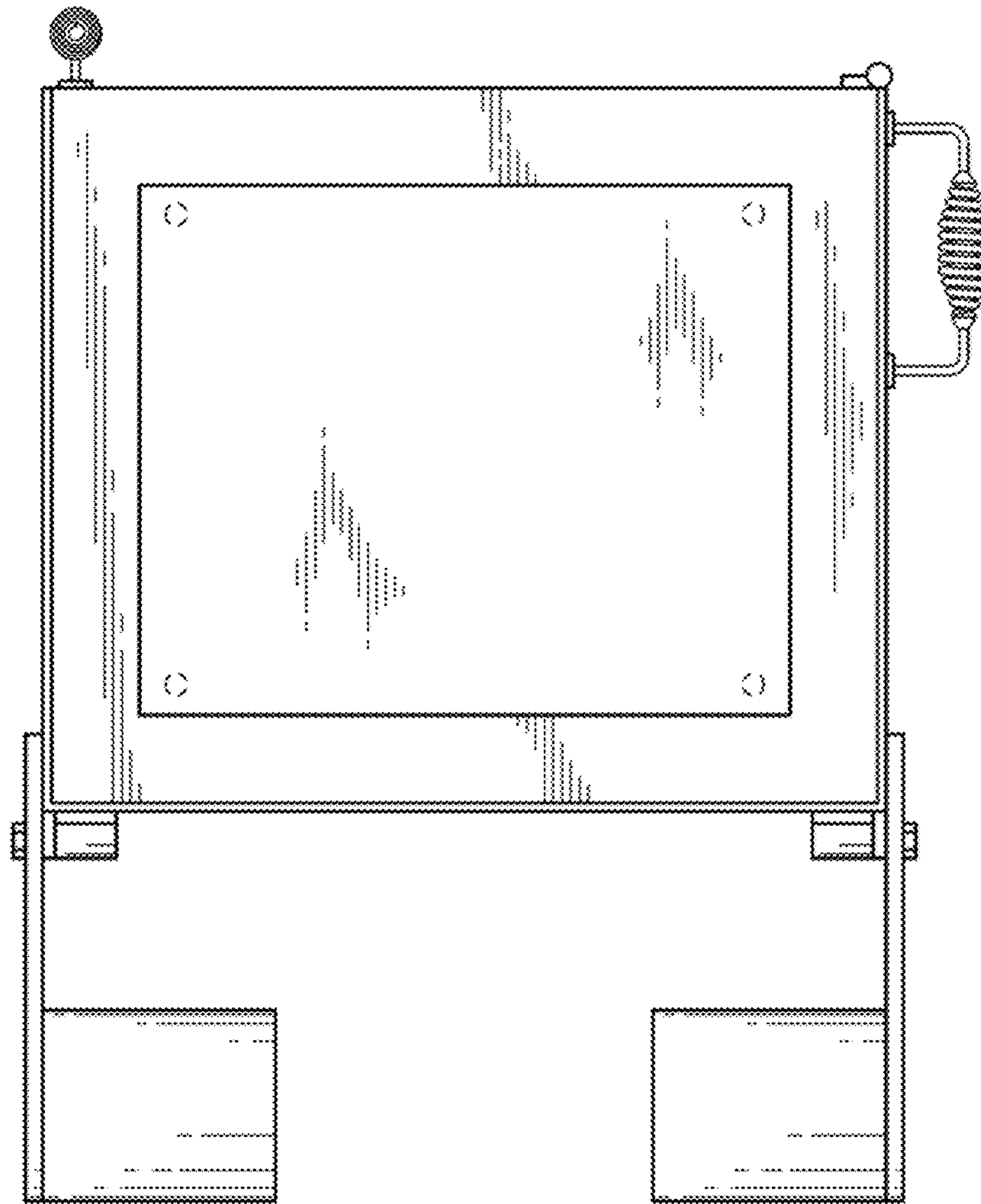


FIG. 9

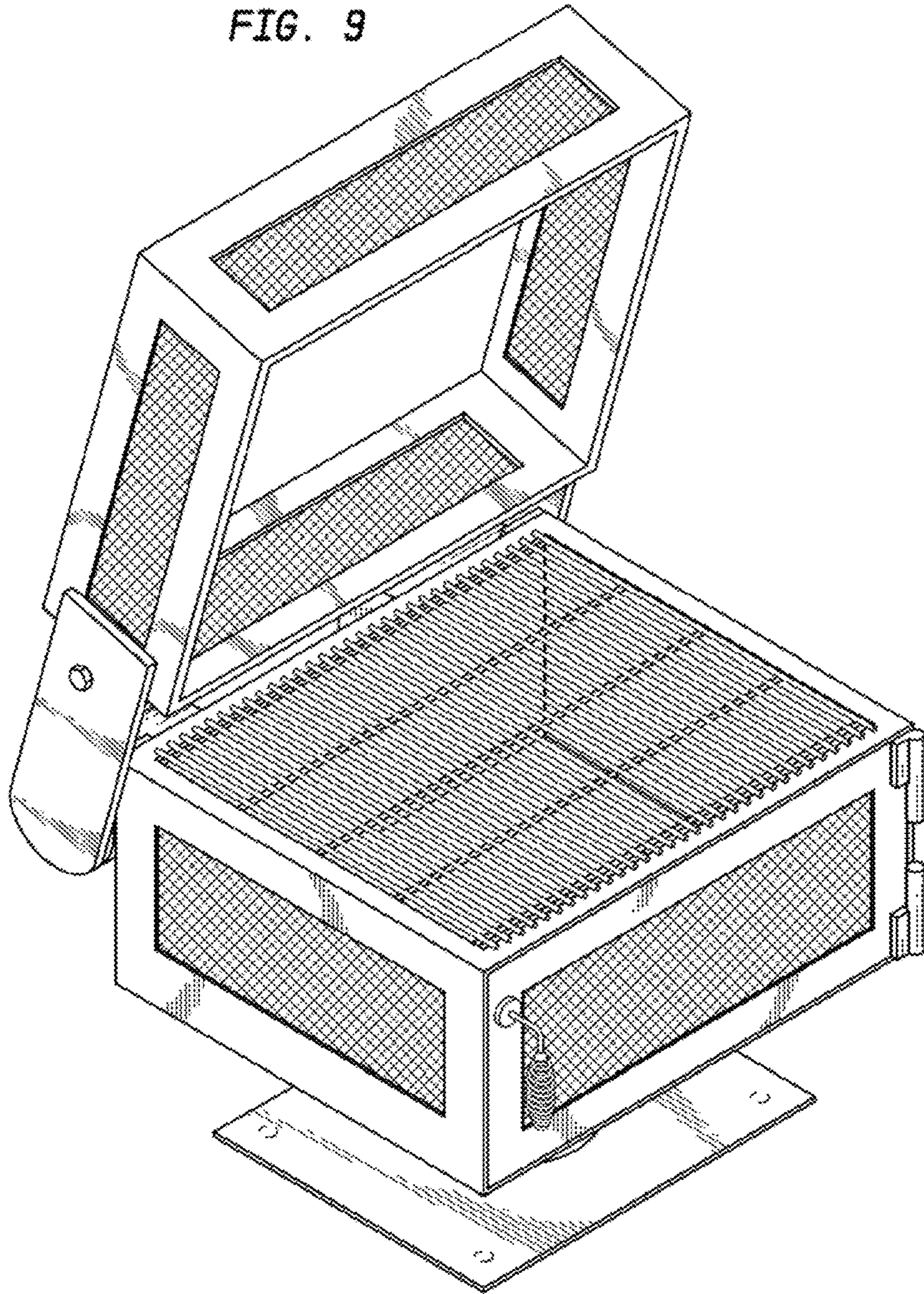


FIG. 10

