



US00D775712S

(12) **United States Design Patent**  
**Kim et al.**

(10) **Patent No.:** **US D775,712 S**

(45) **Date of Patent:** **\*\* Jan. 3, 2017**

(54) **FILTER HOUSING FOR USE IN A MICROBIAL WATER SAMPLER**

(71) Applicant: **METAWATER Co., Ltd.**, Chiyoda-ku, Tokyo (JP)

(72) Inventors: **Kyungju Kim**, Tokyo (JP); **Dabide Yamaguchi**, Tokyo (JP)

(73) Assignee: **METAWATER Co., Ltd.**, Chiyoda-ku, Tokyo (JP)

(\*\*) Term: **15 Years**

(21) Appl. No.: **29/535,833**

(22) Filed: **Aug. 11, 2015**

(30) **Foreign Application Priority Data**

Feb. 17, 2015 (JP) ..... 2015-003155

(51) **LOC (10) Cl.** ..... **23-01**

(52) **U.S. Cl.**  
USPC ..... **D23/209**

(58) **Field of Classification Search**  
USPC ..... D23/207, 209; D24/216; 210/435, 446; 422/534; 73/863.23, 864.51  
CPC ..... G01N 1/10; B01L 3/50255; B01D 35/30  
See application file for complete search history.

(56) **References Cited**

**U.S. PATENT DOCUMENTS**

794,325 A \* 7/1905 Stout et al. .... C02F 1/003  
210/266  
5,440,942 A \* 8/1995 Hubbard ..... G01N 1/08  
73/863.23

6,458,278 B1 \* 10/2002 Leoncavallo ..... B01D 29/05  
210/321.75

6,779,411 B1 \* 8/2004 Spurgeon ..... G01N 1/2205  
73/863.23

D679,779 S \* 4/2013 Reid ..... D23/209

D712,007 S \* 8/2014 Reid ..... D23/209

D719,634 S \* 12/2014 Reed ..... D23/209

D719,635 S \* 12/2014 Reed ..... D23/209

\* cited by examiner

*Primary Examiner* — Robin V Webster

(74) *Attorney, Agent, or Firm* — Kenja IP Law PC

(57) **CLAIM**

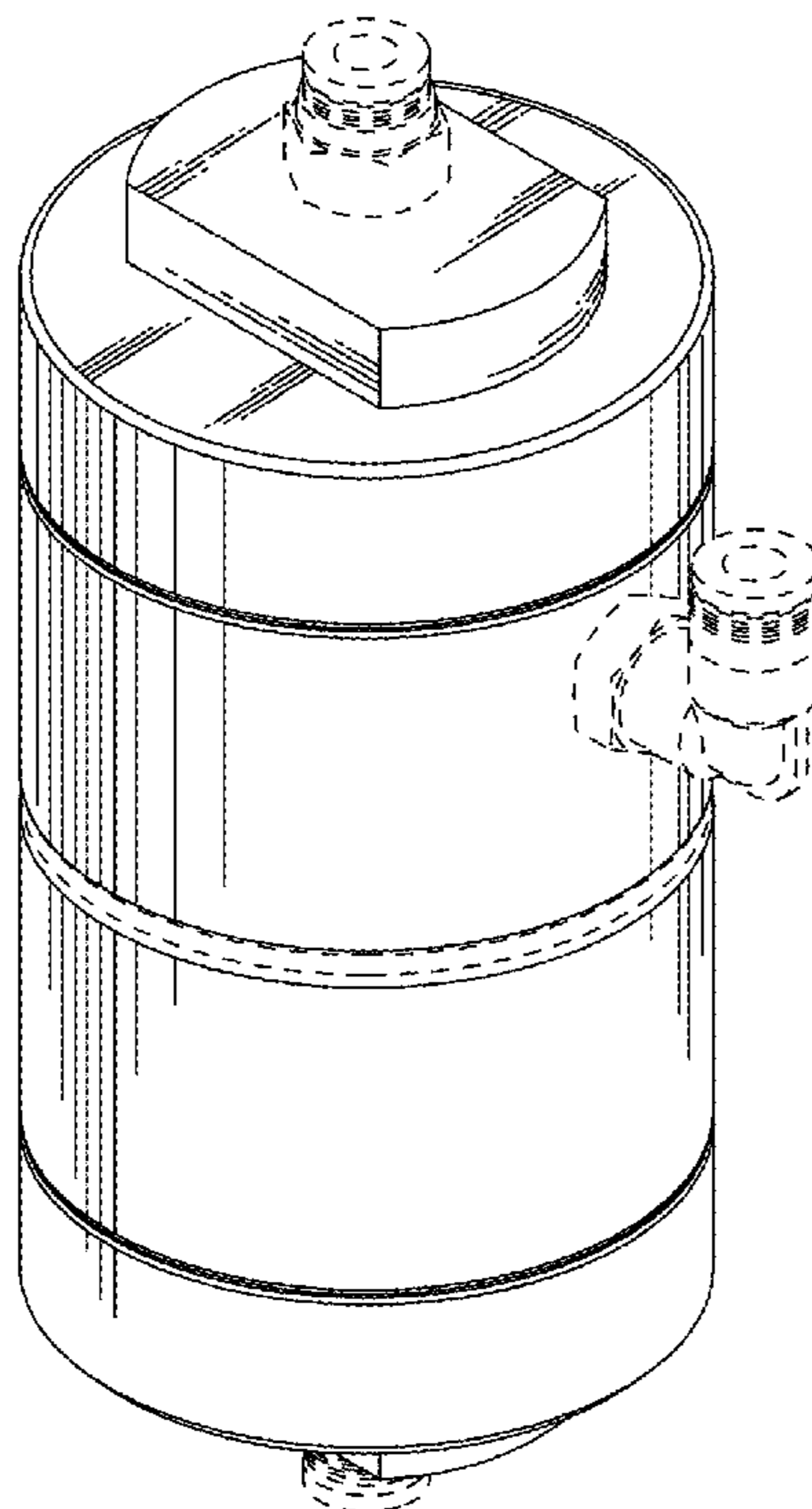
The ornamental design for a filter housing for use in a microbial water sampler, as shown and described.

**DESCRIPTION**

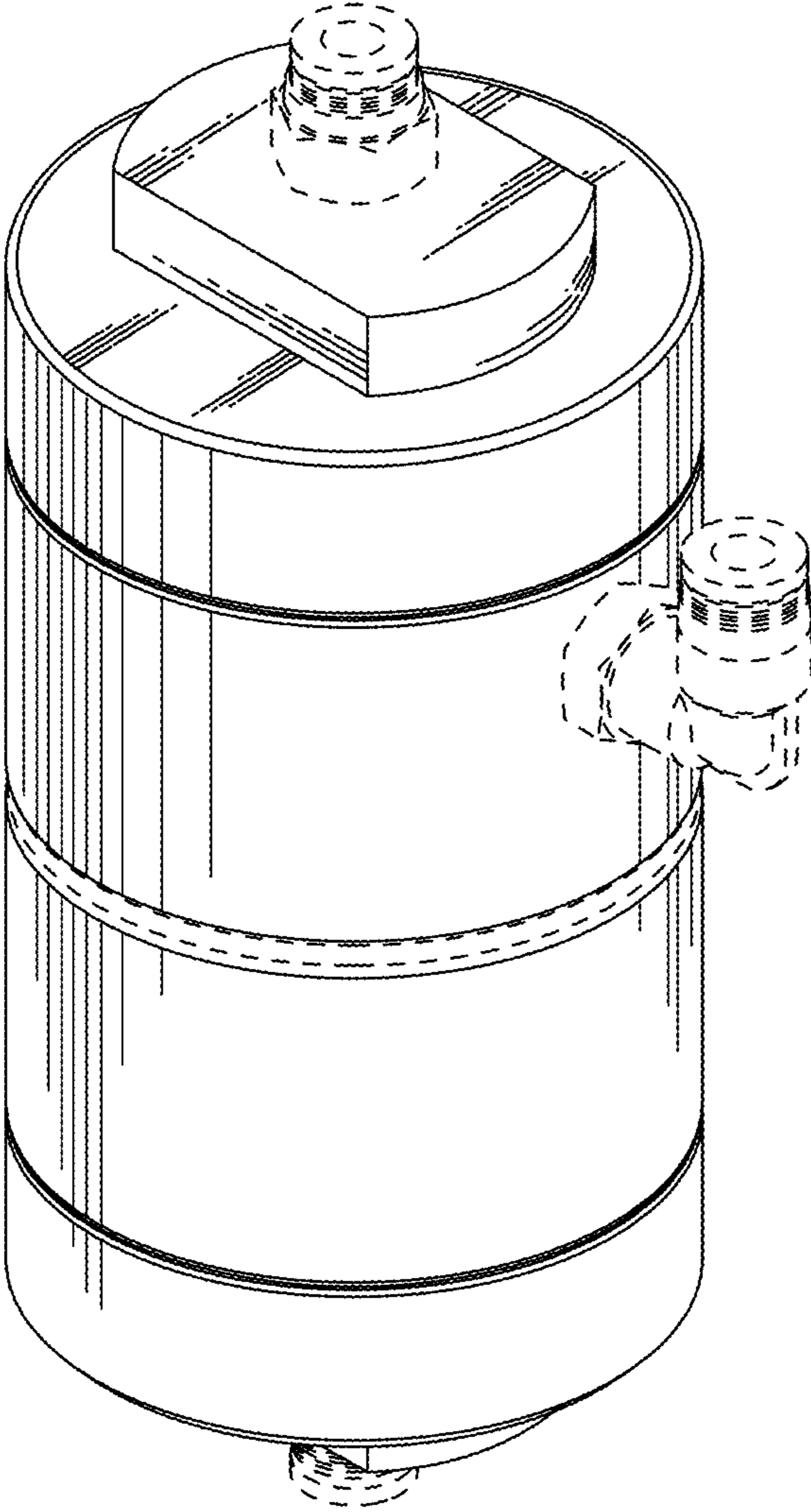
FIG. 1 is a front perspective view of a filter housing for use in a microbial water sampler showing my new design; FIG. 2 is a front view thereof; FIG. 3 is a top plan view thereof; FIG. 4 is a right side view thereof; FIG. 5 is a left side view thereof; FIG. 6 is a bottom view thereof; and, FIG. 7 is a cross sectional view thereof at line 7-7 of FIG. 3.

The broken lines are for the purpose of showing environmental structure only and form no part of the claimed design.

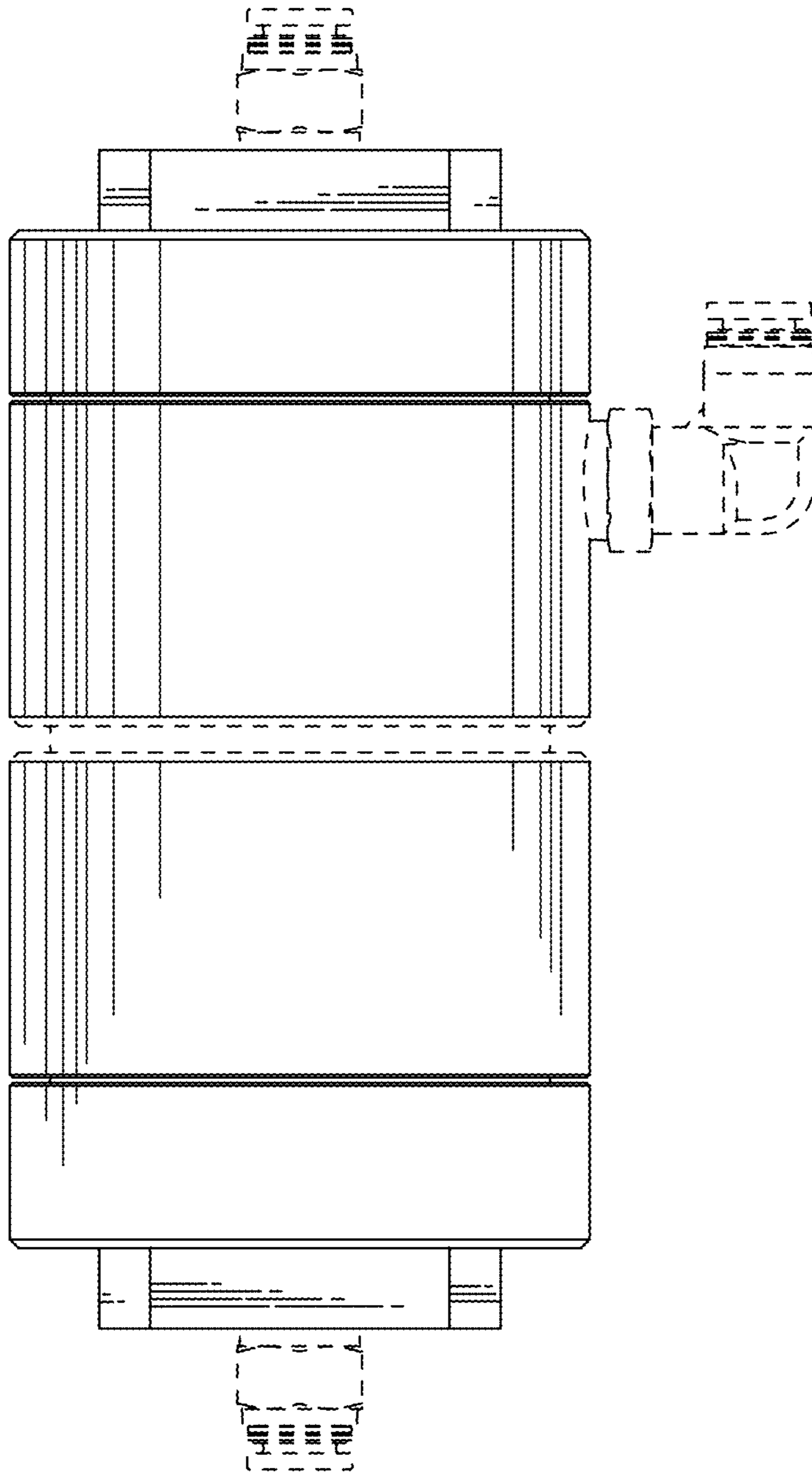
**1 Claim, 7 Drawing Sheets**



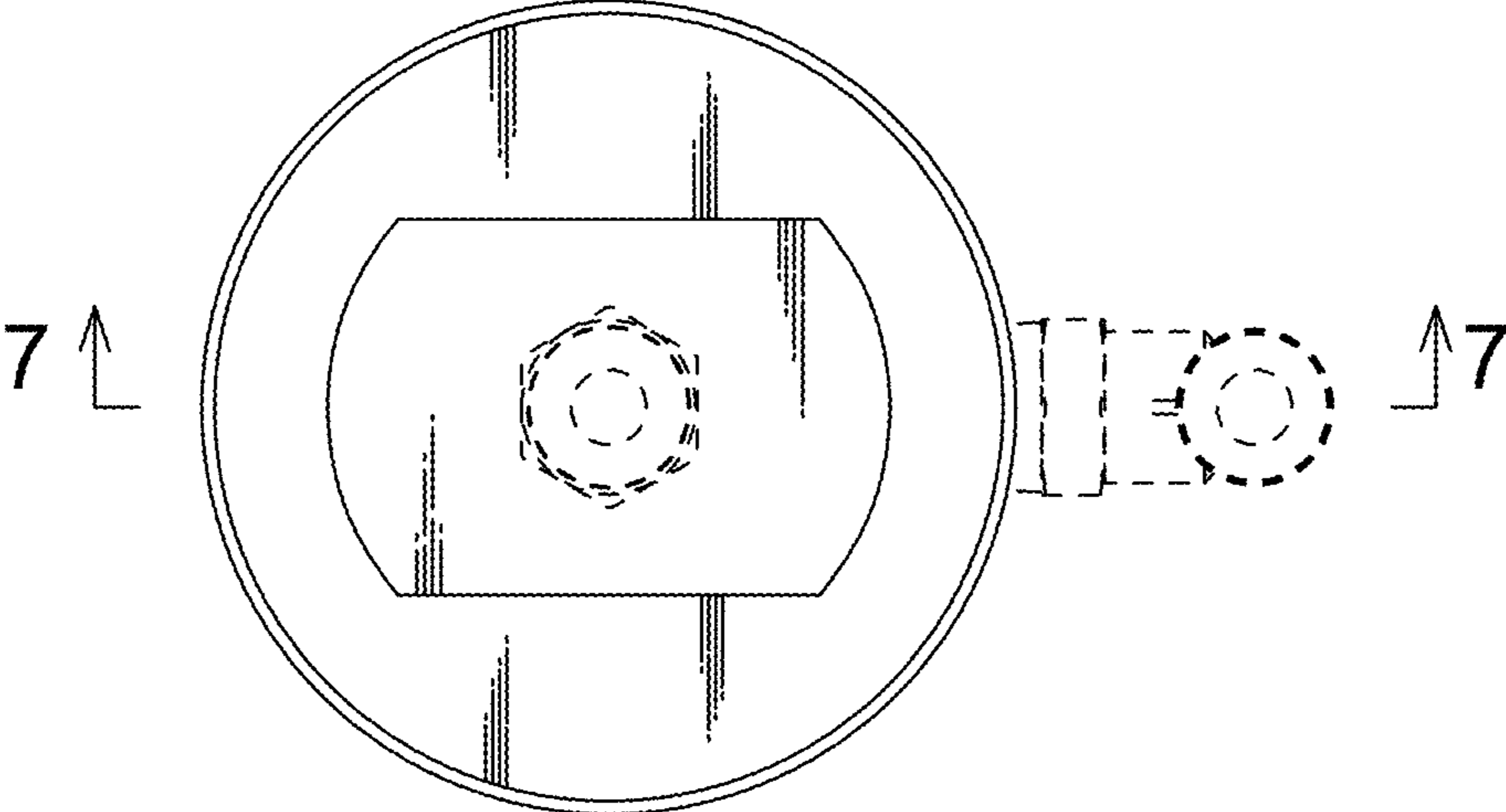
*FIG. 1*



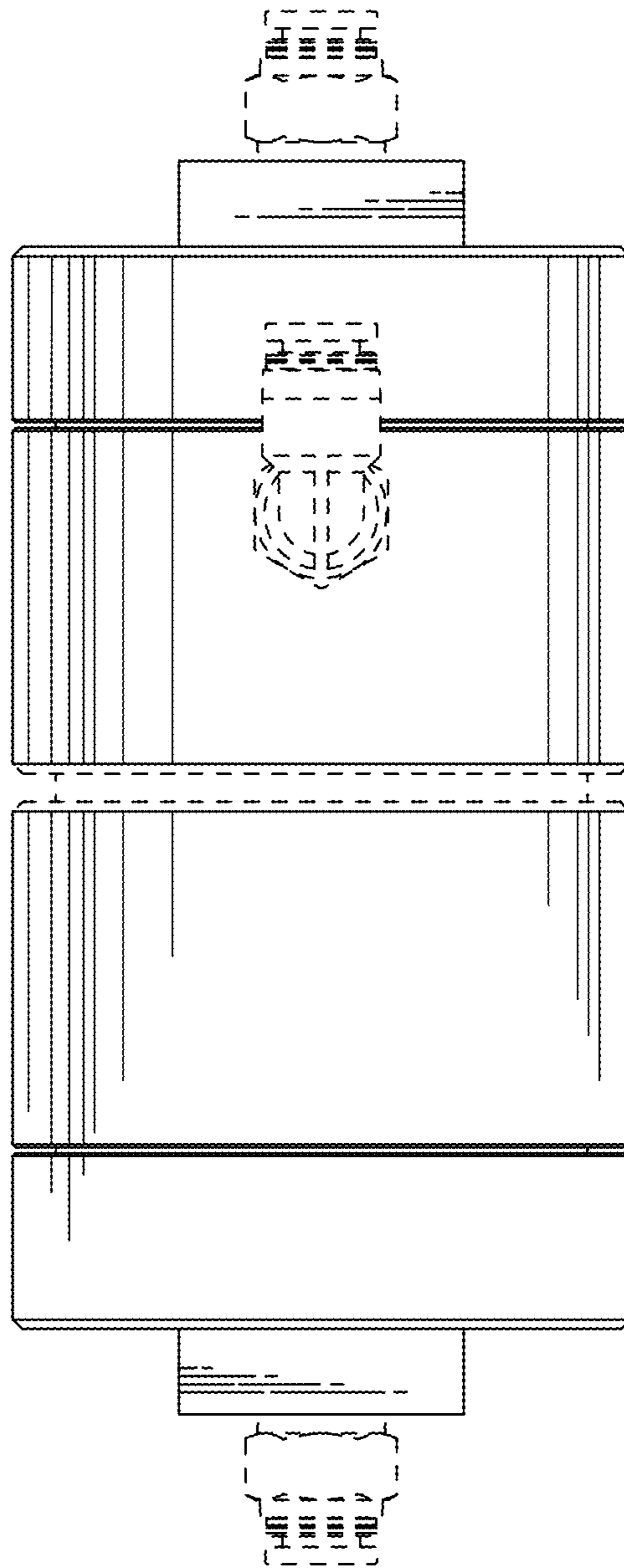
*FIG. 2*



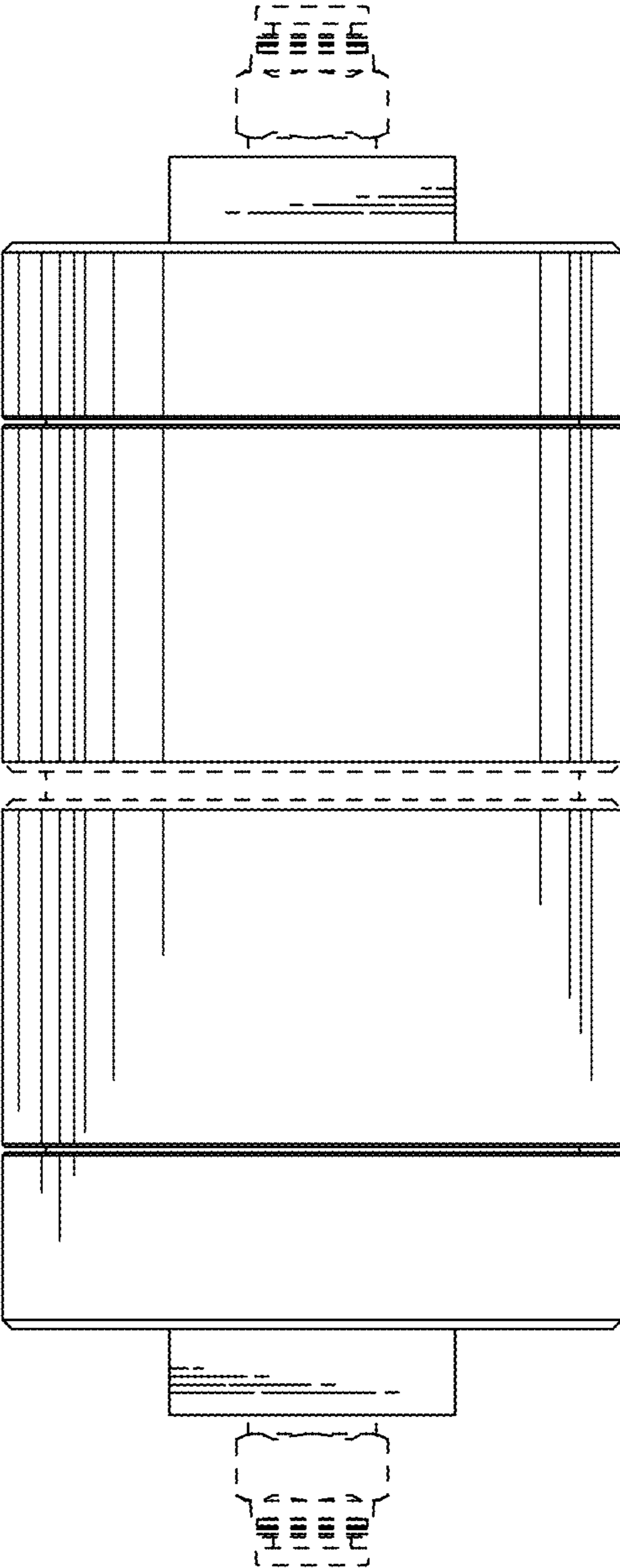
*FIG. 3*



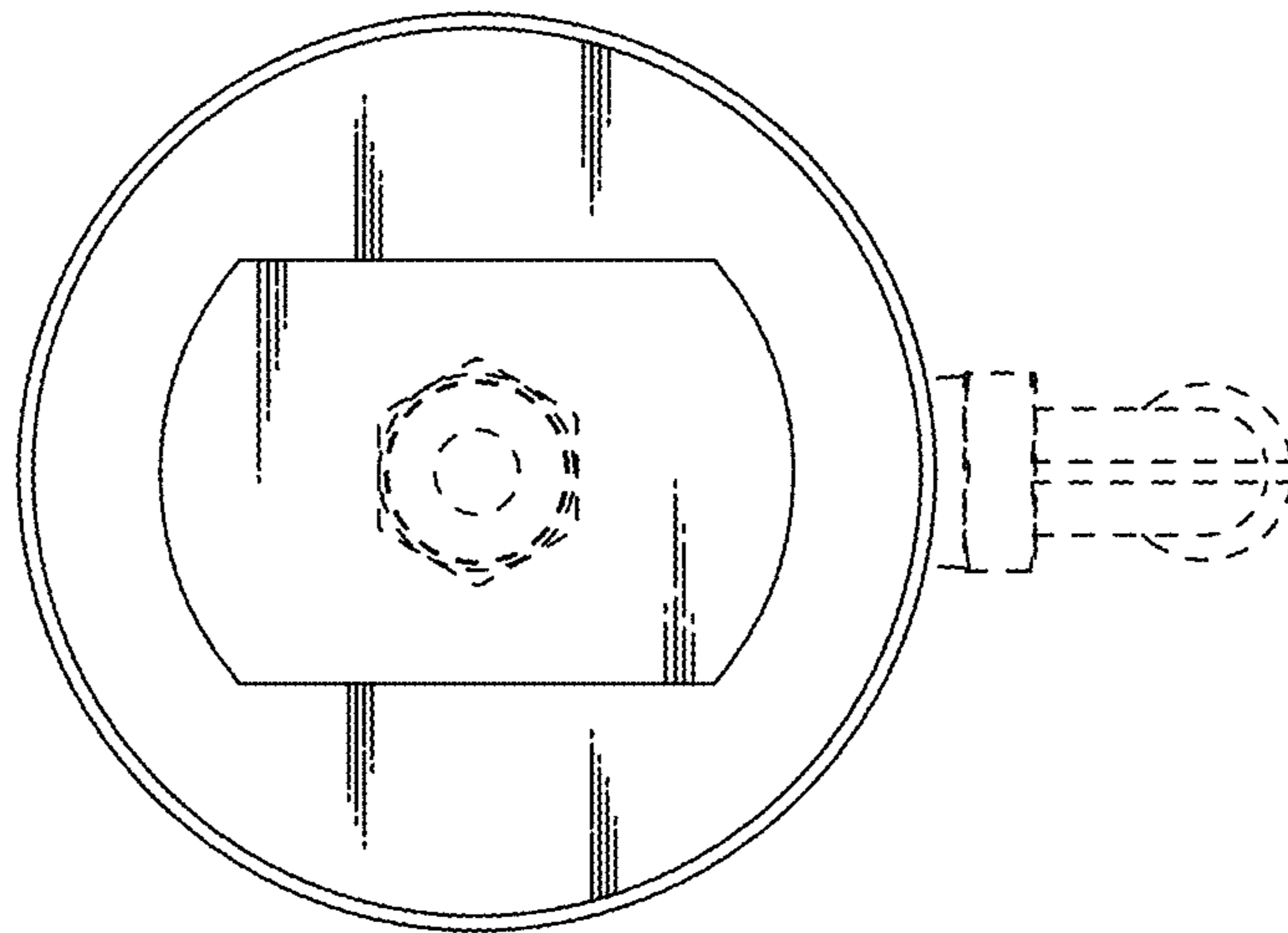
*FIG. 4*



*FIG. 5*



*FIG. 6*



*FIG. 7*

