



US00D775711S

(12) **United States Design Patent** (10) **Patent No.:** **US D775,711 S**  
**Poindexter et al.** (45) **Date of Patent:** **\*\* \*Jan. 3, 2017**

(54) **WATER FILTER PITCHER**

OTHER PUBLICATIONS

(71) Applicant: **Helen of Troy Limited**, St. Michael (BB)

U.S. Appl. No. 29/526,839, filed May 13, 2015.  
U.S. Appl. No. 29/526,841, filed May 13, 2015.  
U.S. Appl. No. 29/526,845, filed May 13, 2015.

(72) Inventors: **Michael Poindexter**, New York, NY (US); **Thomas Dooley**, Hoboken, NJ (US); **Steven Dibdin**, Bloomfield, NJ (US)

*Primary Examiner* — Robin V Webster

(74) *Attorney, Agent, or Firm* — Ulmer & Berne LLP

(73) Assignee: **Helen of Troy Limited**, St. Michael (BB)

(57) **CLAIM**

(\*) Notice: This patent is subject to a terminal disclaimer.

The ornamental design of a water filter pitcher, as shown and described.

(\*\*) Term: **15 Years**

**DESCRIPTION**

(21) Appl. No.: **29/526,848**

(22) Filed: **May 13, 2015**

(51) **LOC (10) Cl.** ..... **23-01**

(52) **U.S. Cl.**  
USPC ..... **D23/209**

(58) **Field of Classification Search**  
USPC ..... D23/207, 209; D7/400, 316, 317, 318;  
210/232, 282, 244, 238  
CPC ..... C02F 1/003; B01D 35/30  
See application file for complete search history.

FIG. 1 is an isometric view of a water filter pitcher illustrating our new design;  
FIG. 2 is a right side elevational view thereof;  
FIG. 3 is a left side elevational view thereof;  
FIG. 4 is a front elevational view thereof;  
FIG. 5 is a back elevational view thereof;  
FIG. 6 is a top planar view thereof;  
FIG. 7 is a bottom planar view thereof;  
FIG. 8 is a cross-sectional side elevational view thereof, taken along line 8-8 of FIG. 6;  
FIG. 9 is an isometric view of an unfiltered water housing of the water filter pitcher of FIG. 1, illustrating the unfiltered water housing removed from the water filter pitcher;  
FIG. 10 is a right side elevational view thereof;  
FIG. 11 is a left side elevational view thereof;  
FIG. 12 is a front elevational view thereof;  
FIG. 13 is a back elevational view thereof;  
FIG. 14 is a top planar view thereof;  
FIG. 15 is a bottom planar view thereof; and,  
FIG. 16 is a cross-sectional side elevational view thereof, taken along line 16-16 of FIG. 14.  
The broken lines form no part of the claimed design.

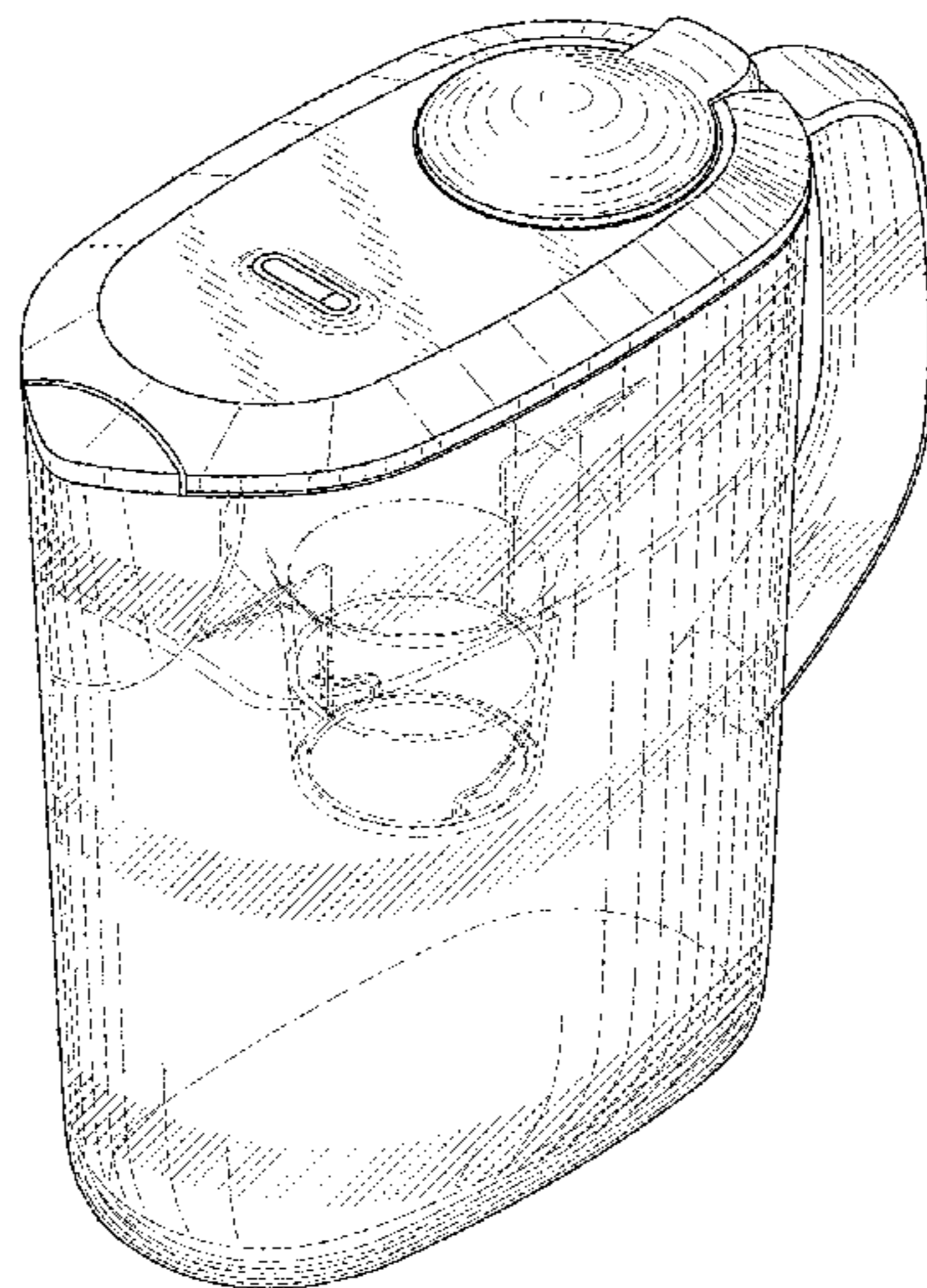
(56) **References Cited**

U.S. PATENT DOCUMENTS

D398,184 S	9/1998	Silverberg et al.	
D440,110 S	4/2001	Tanner et al.	
D444,843 S *	7/2001	Hilgers .....	D23/207
6,649,045 B2	11/2003	Tanner et al.	
D520,597 S *	5/2006	Witte .....	D23/209
D574,924 S *	8/2008	Horiuchi .....	D23/209
D576,250 S	9/2008	Born et al.	
D596,704 S	7/2009	Born et al.	
7,670,479 B2	3/2010	Arett et al.	
D616,694 S *	6/2010	Kulikov .....	D23/209

(Continued)

**1 Claim, 12 Drawing Sheets**



(56)

**References Cited**

U.S. PATENT DOCUMENTS

D639,102 S 6/2011 Harris et al.  
8,177,966 B2 \* 5/2012 Wu ..... C02F 1/003  
210/232  
D677,360 S \* 3/2013 Sheppard ..... D23/209  
8,413,844 B2 4/2013 Arett et al.  
D740,916 S \* 10/2015 Doi ..... D23/207

\* cited by examiner

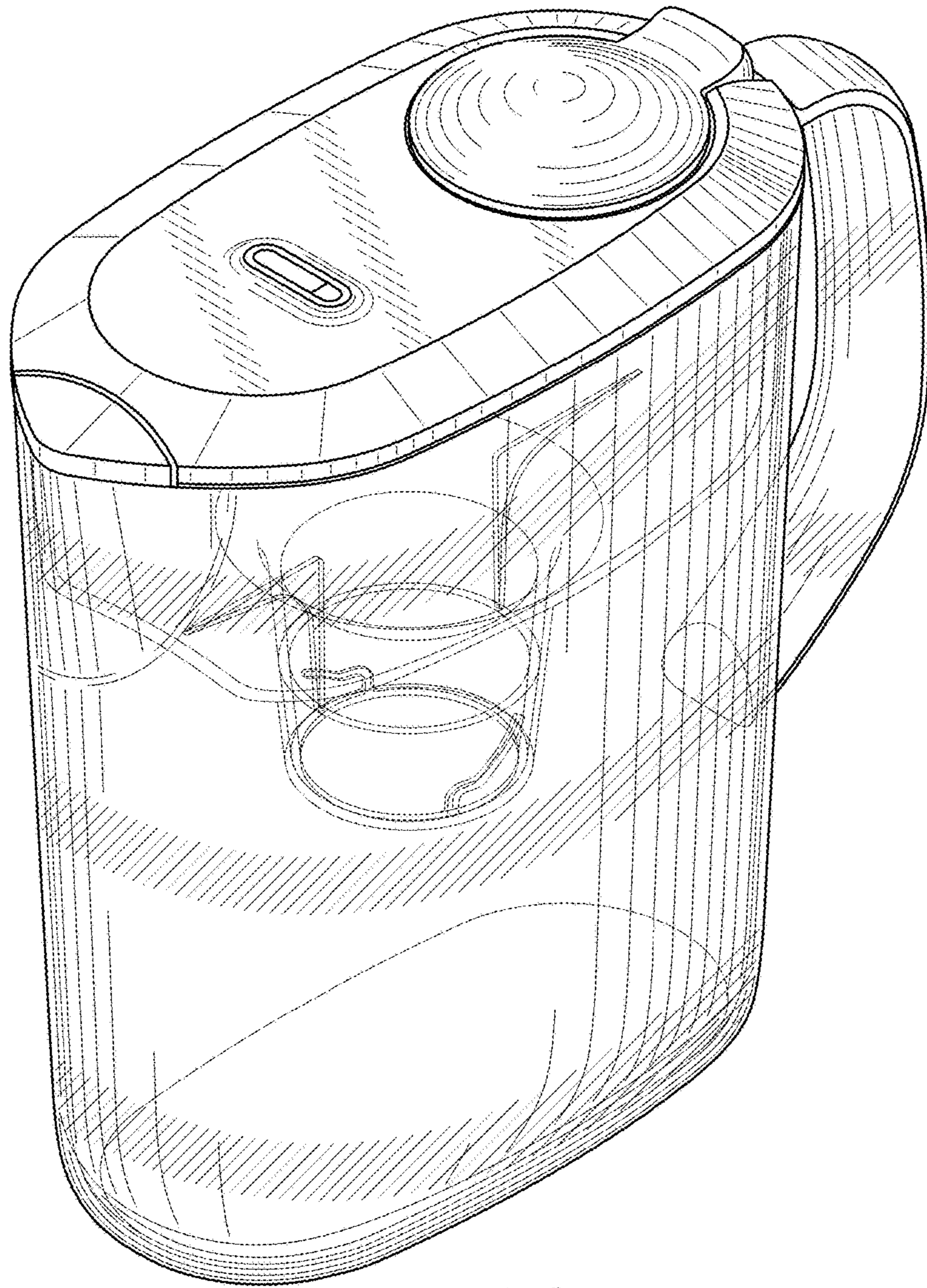


FIG. 1

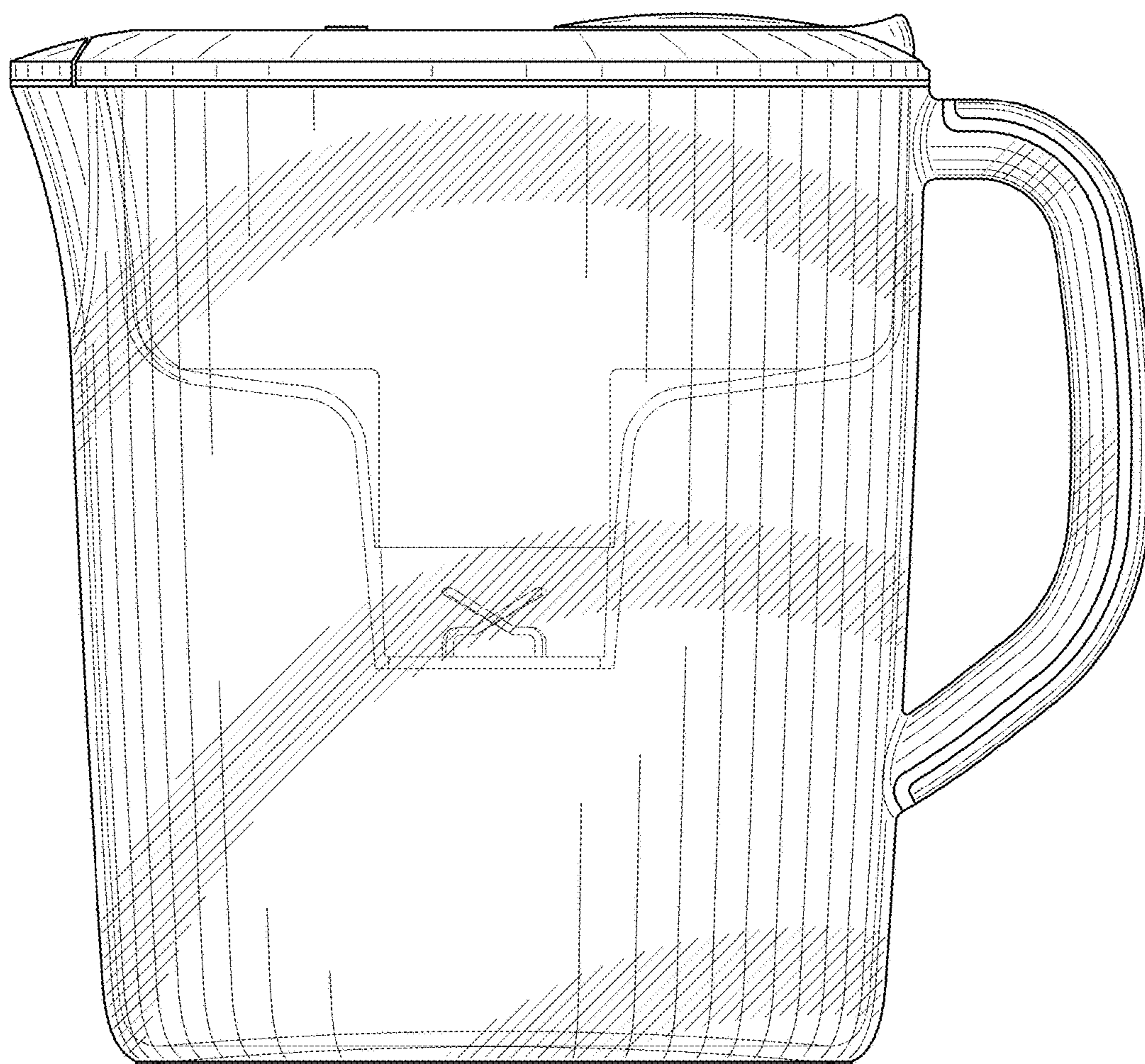


FIG. 2

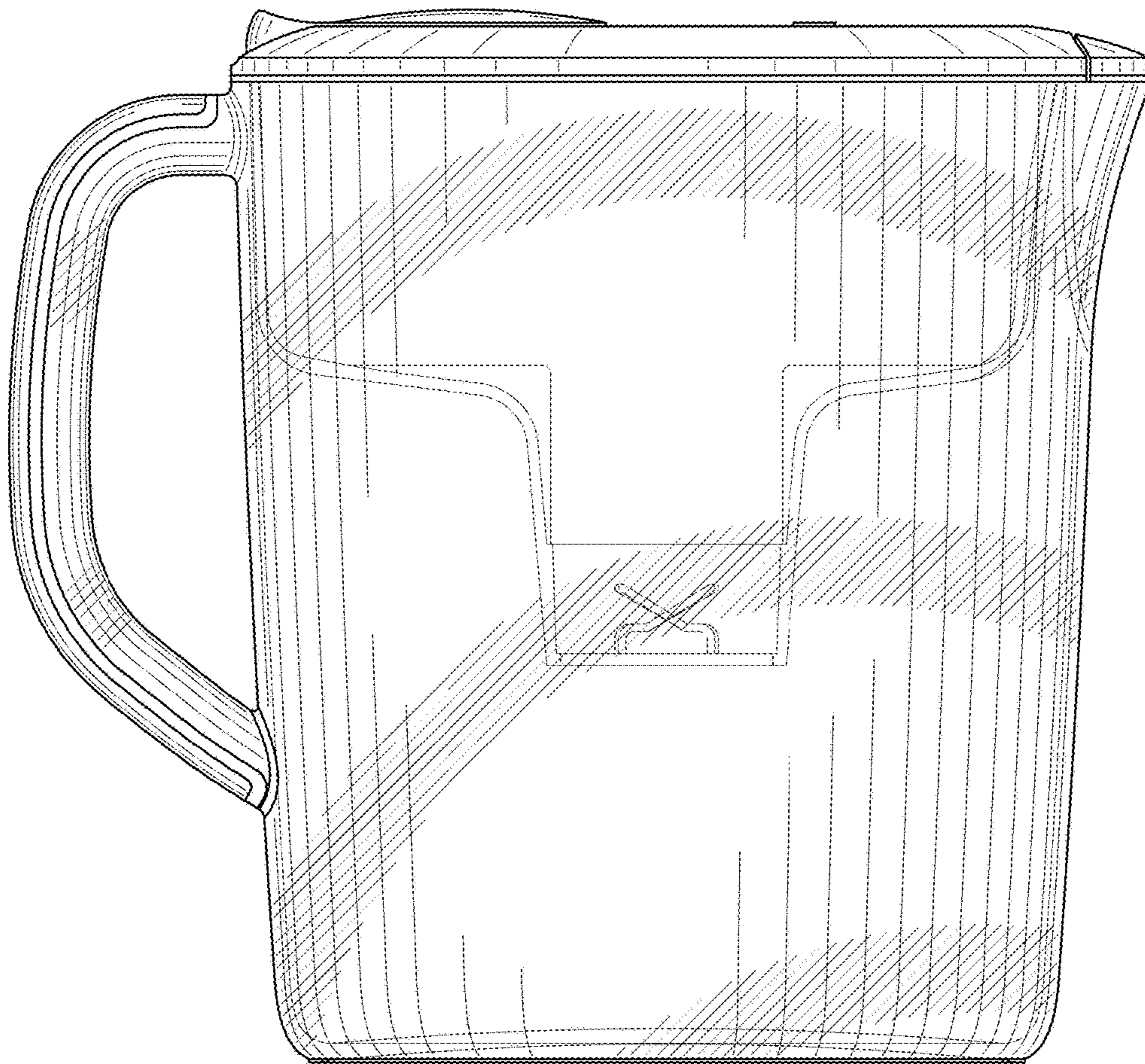


FIG. 3

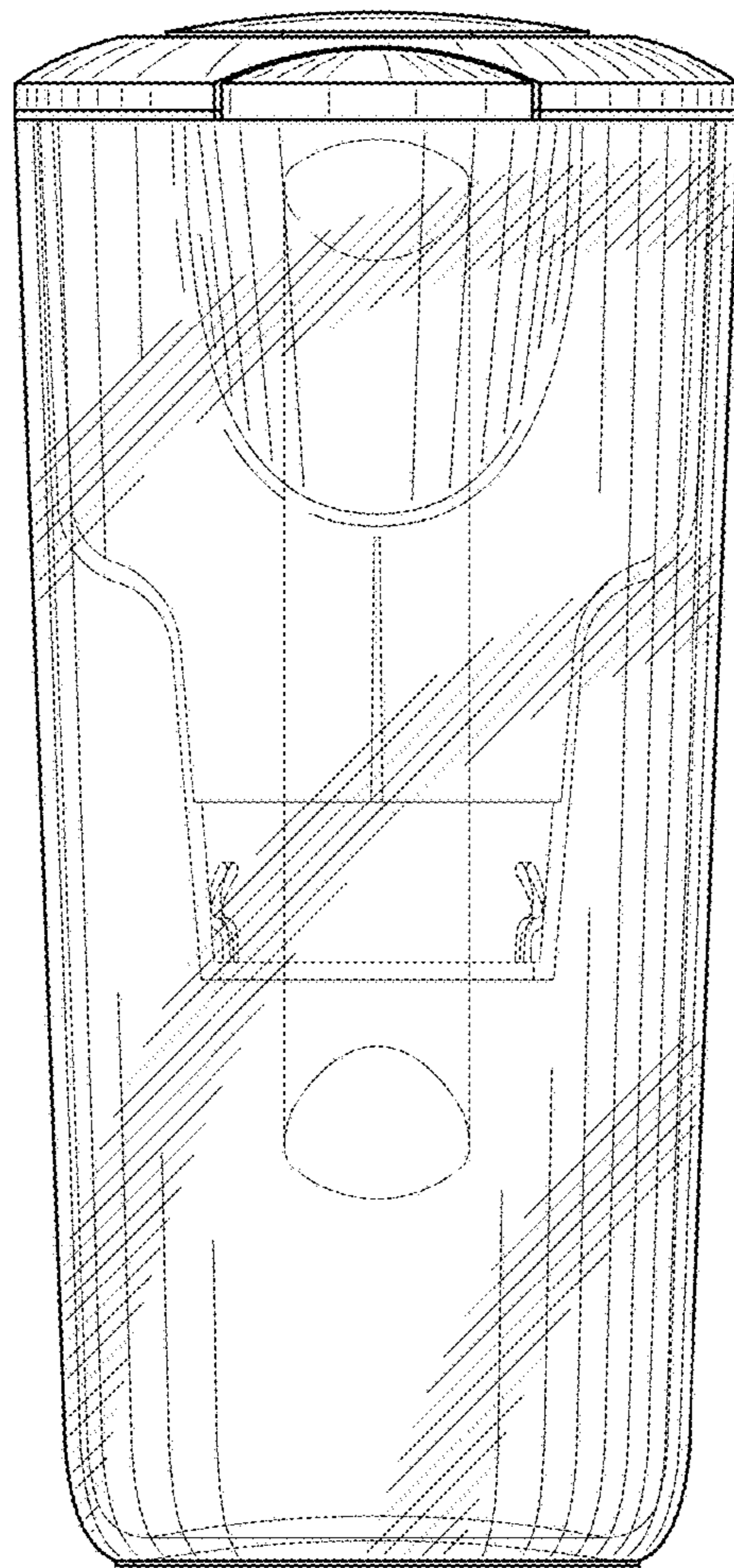


FIG. 4

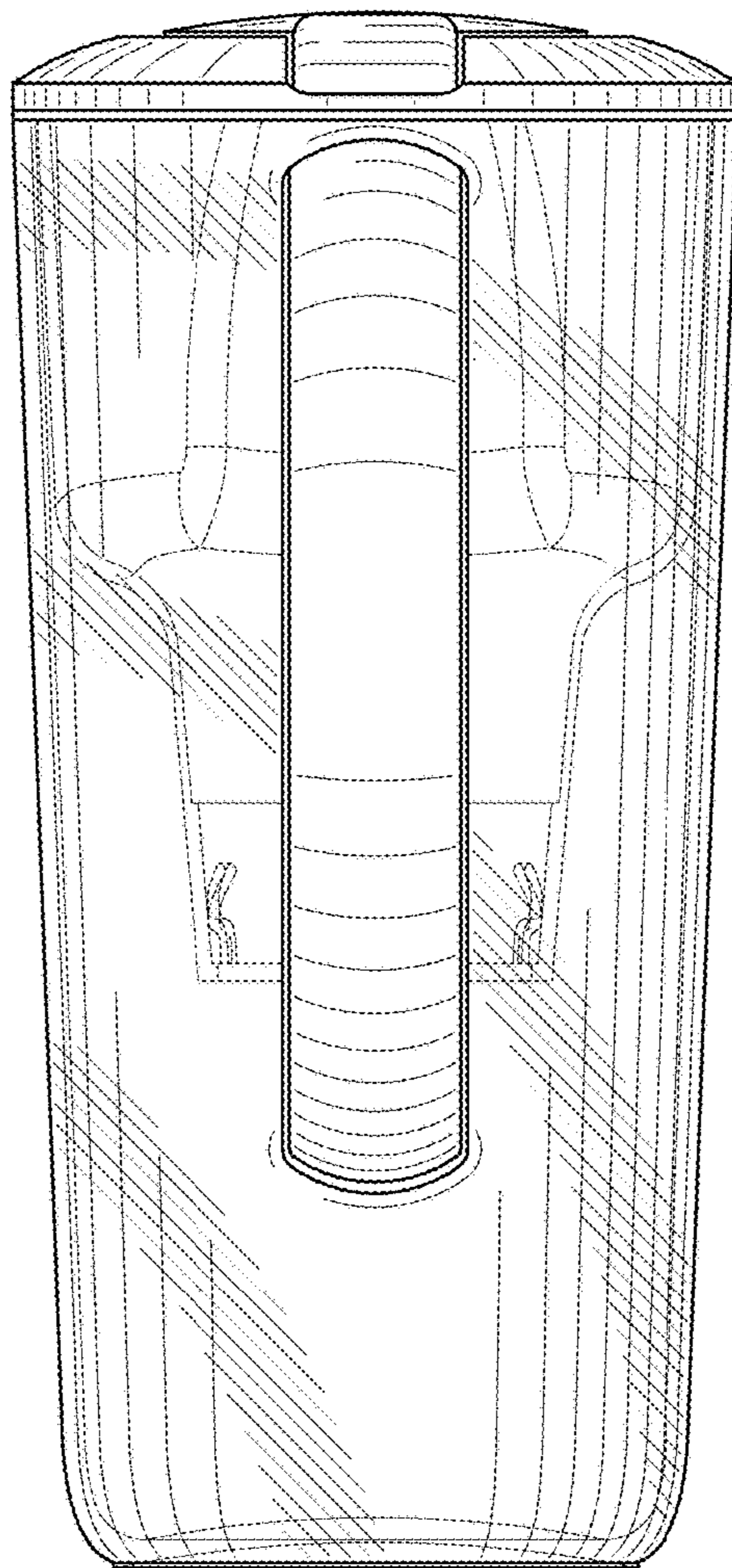


FIG. 5

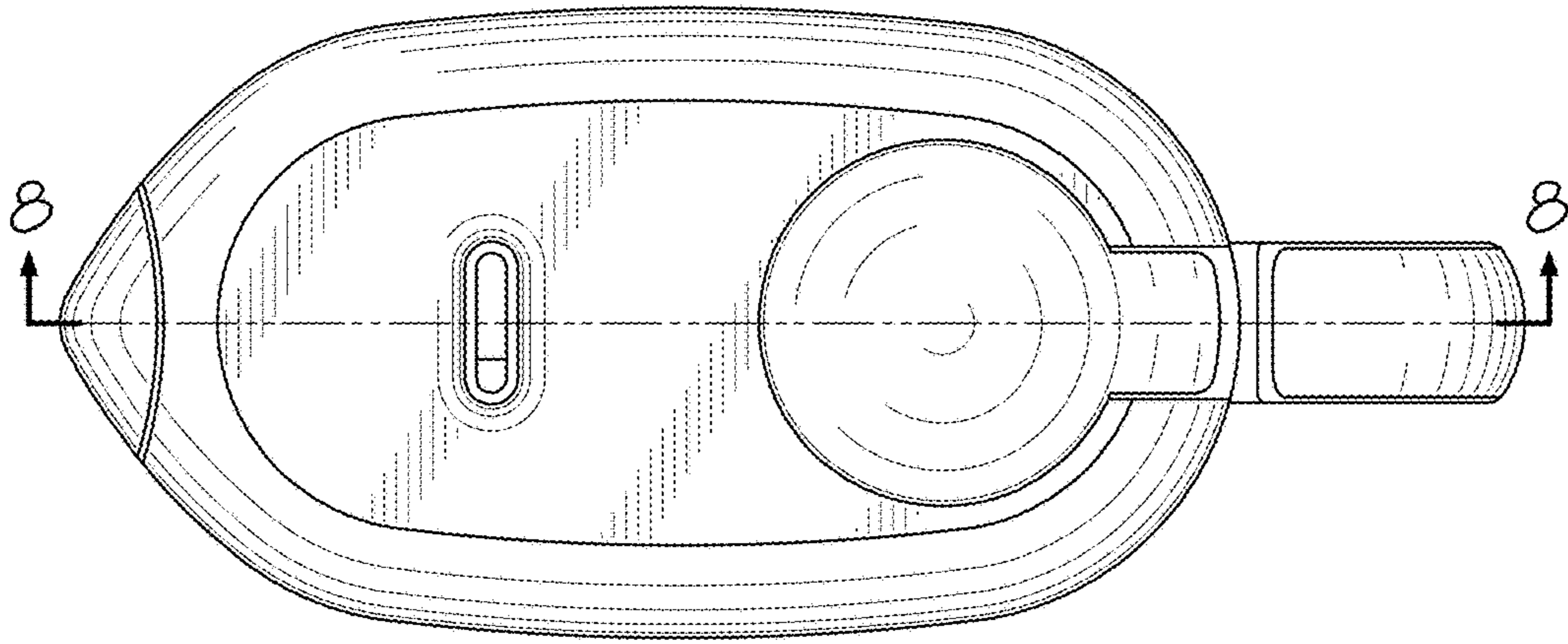


FIG. 6

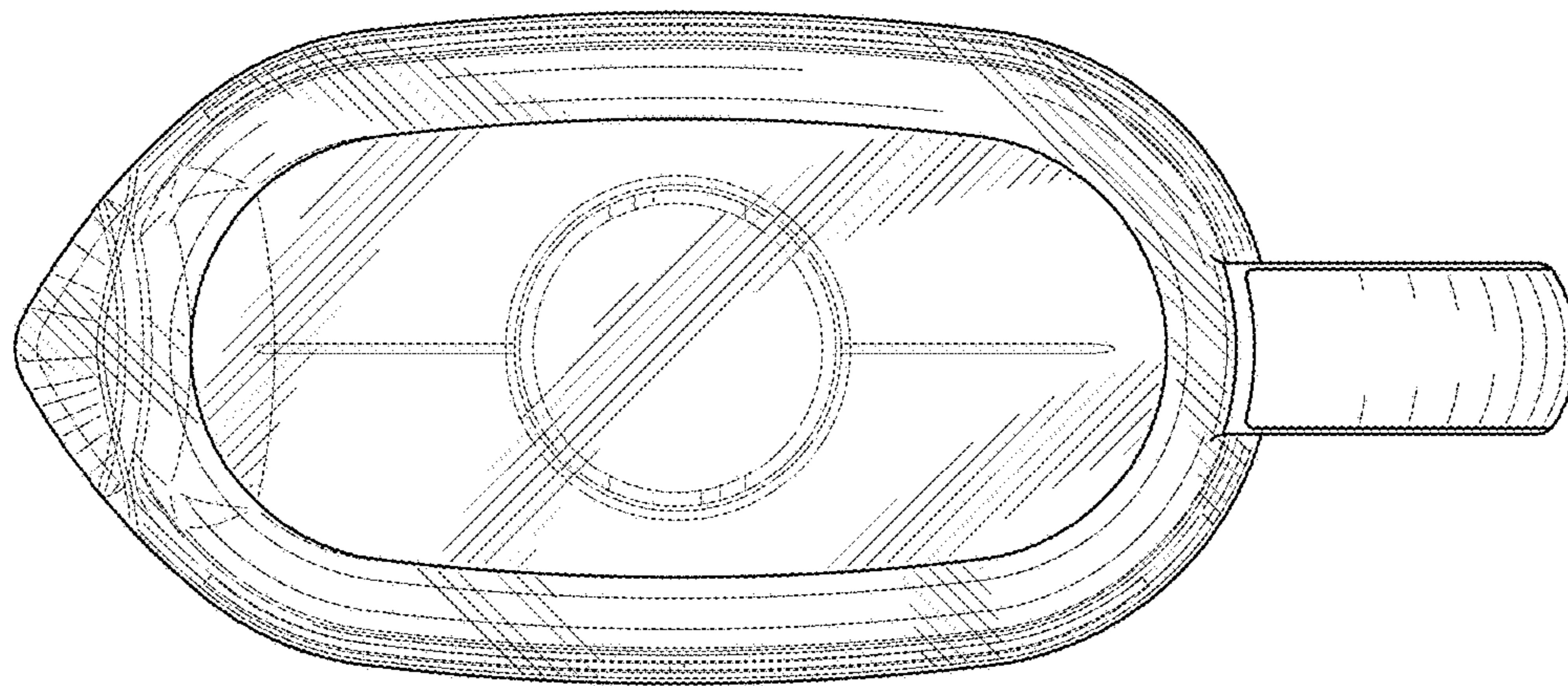


FIG. 7





FIG. 8

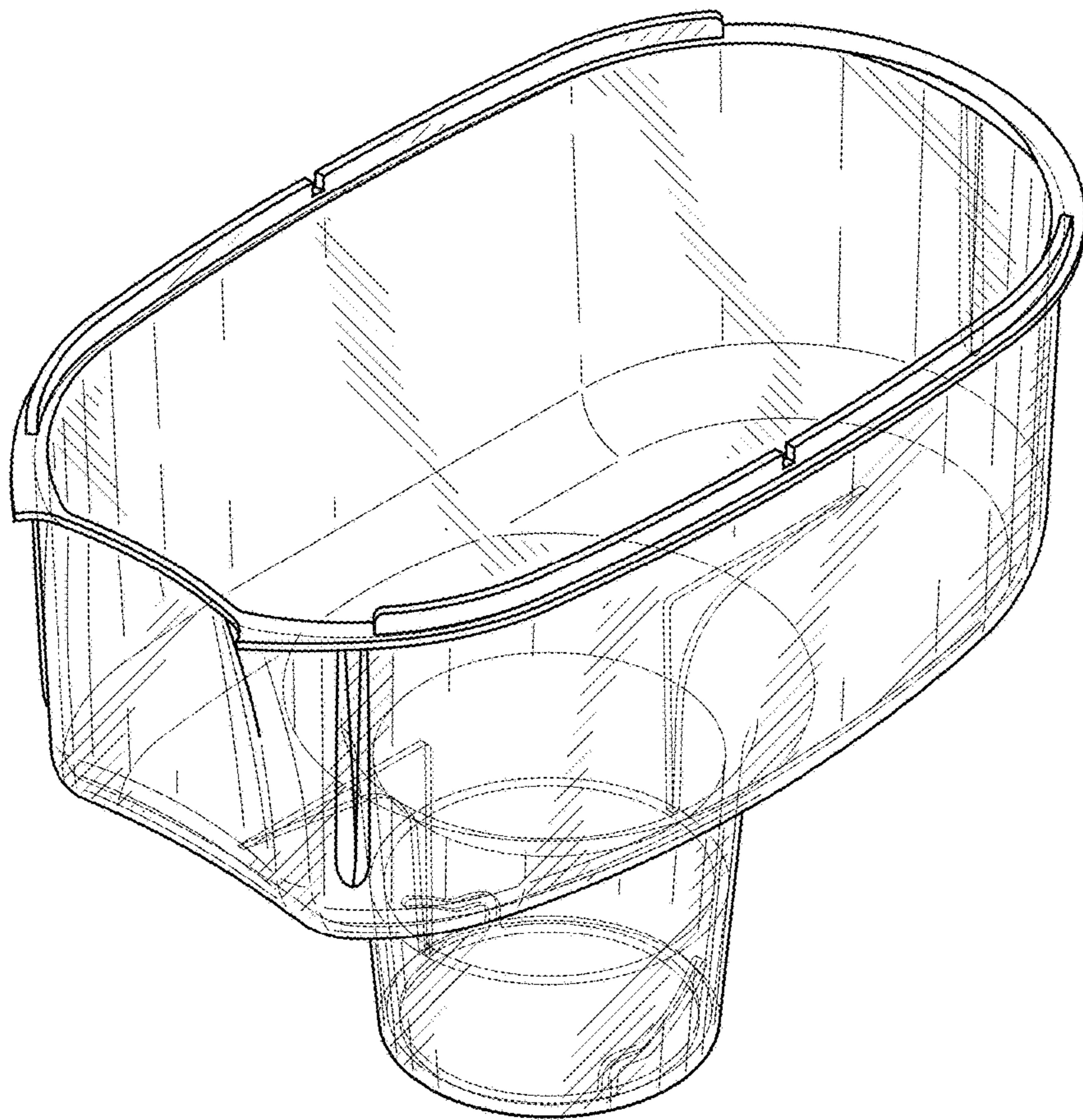


FIG. 9

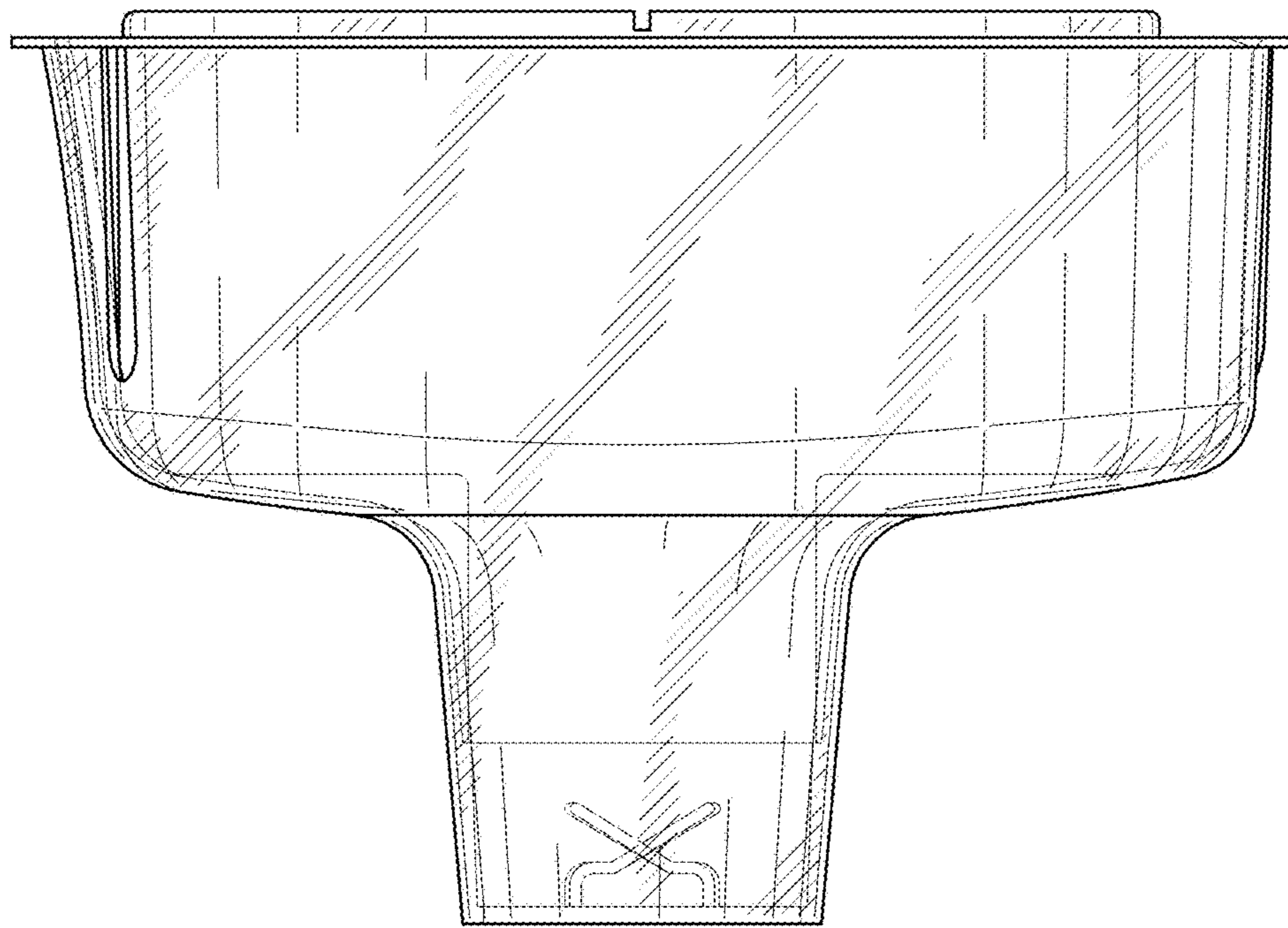


FIG. 10

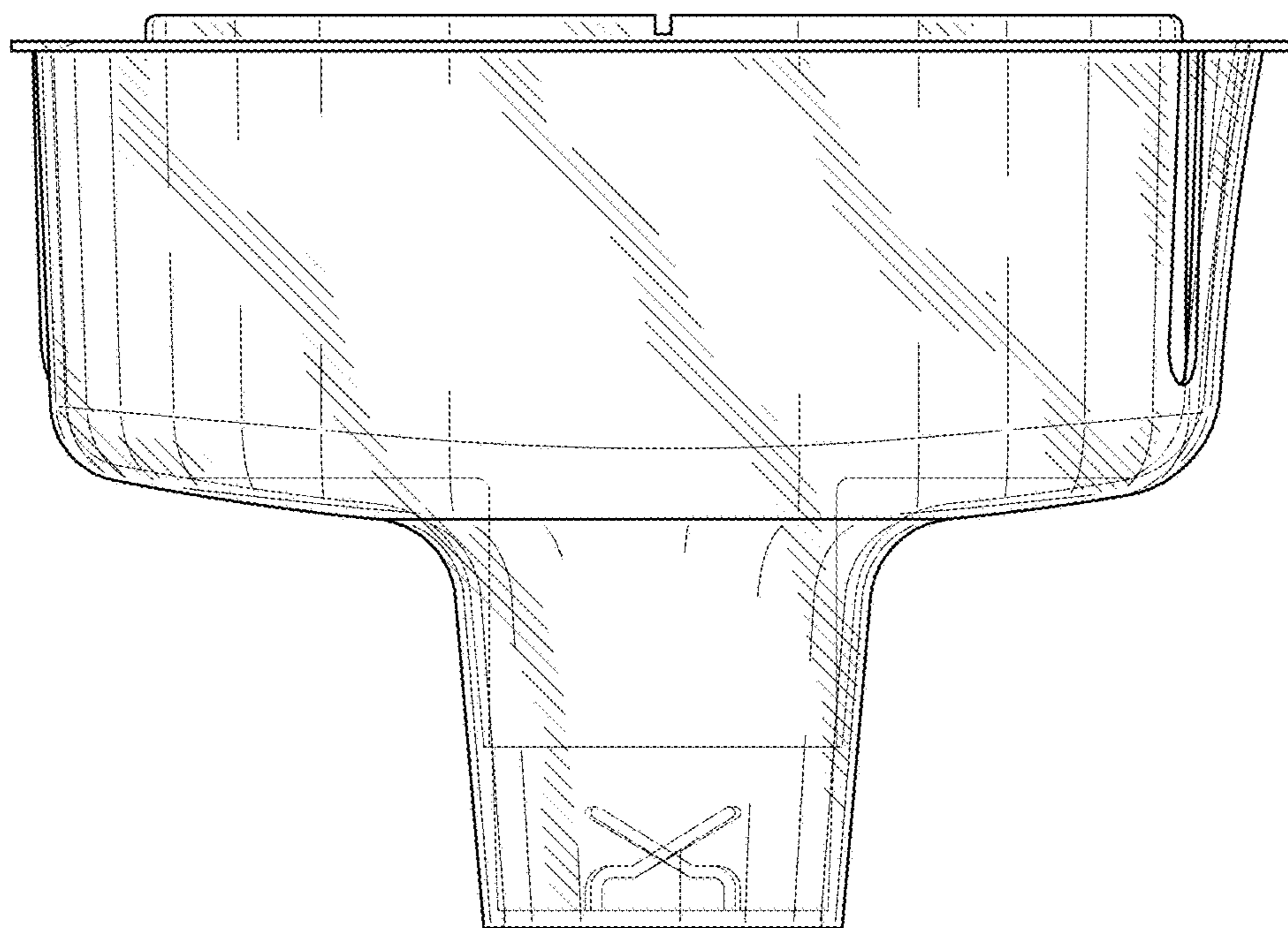


FIG. 11

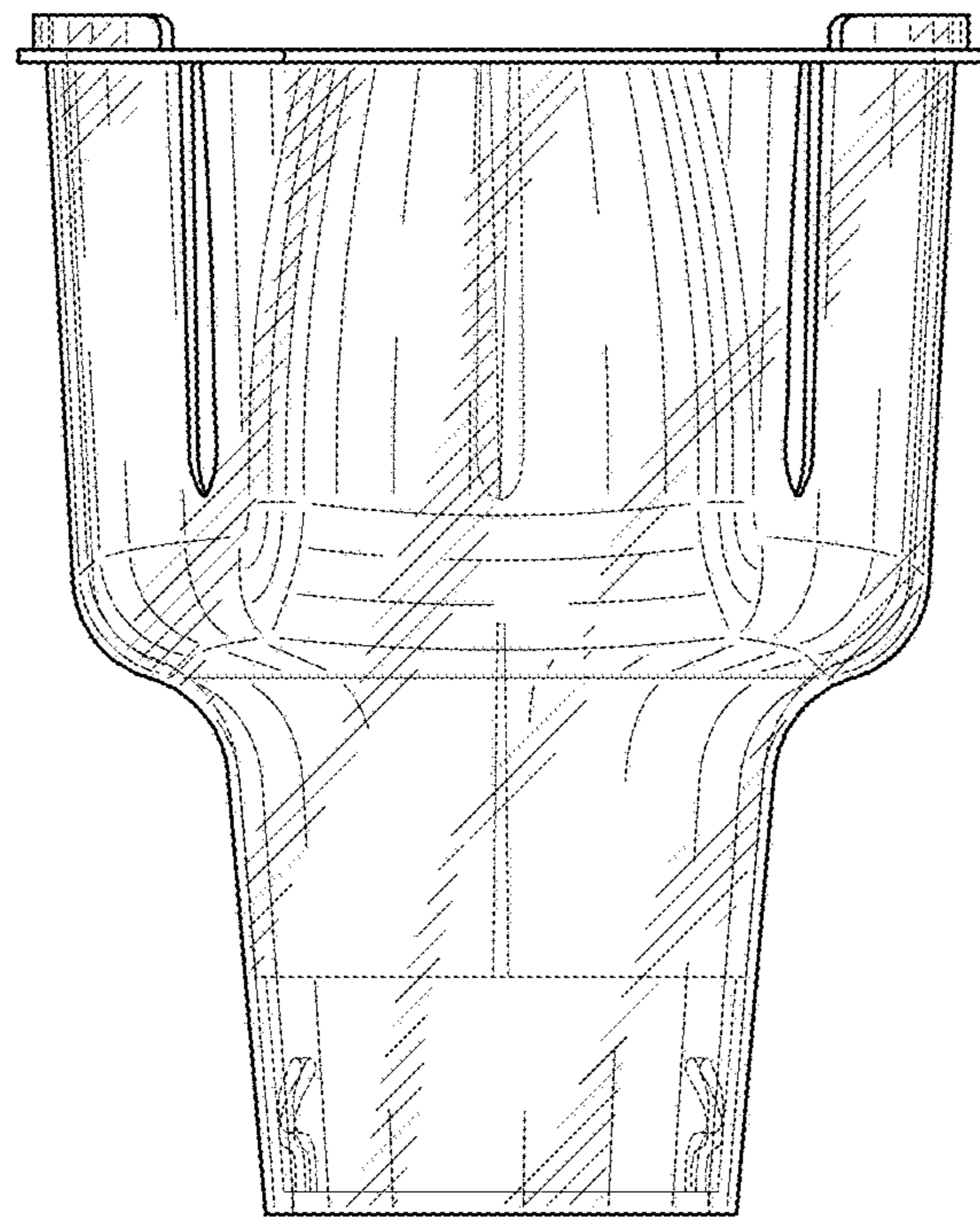


FIG. 12

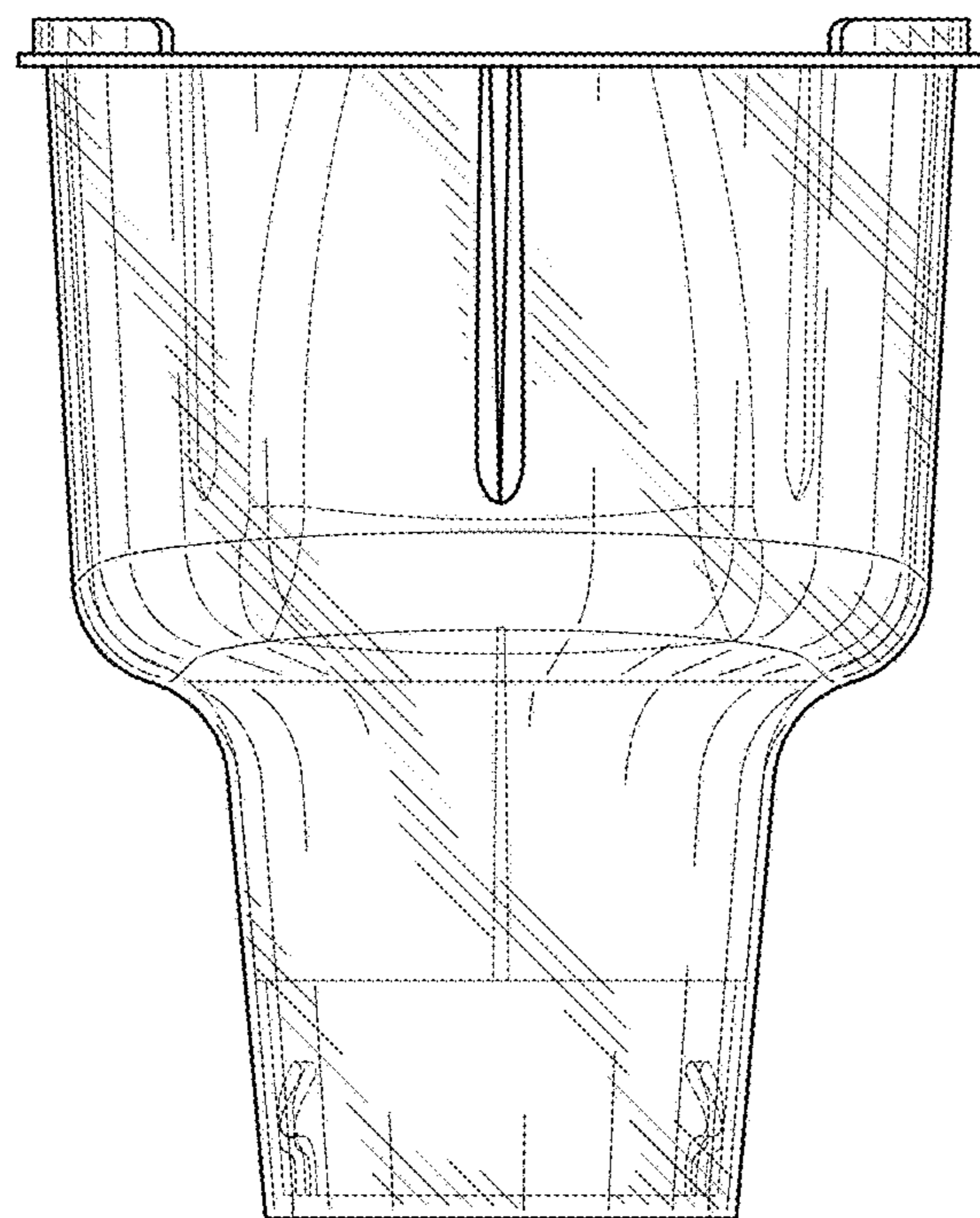


FIG. 13

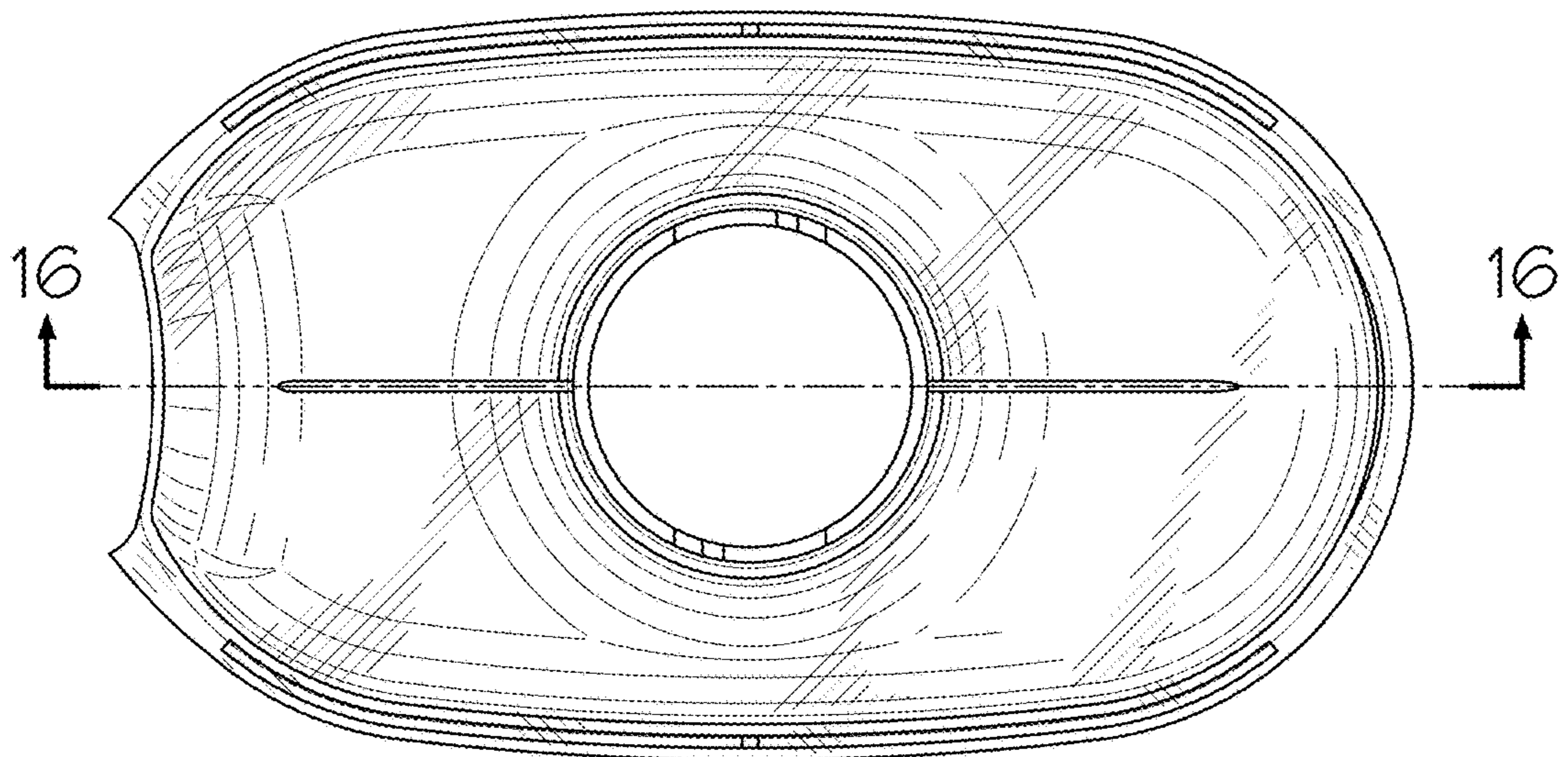


FIG. 14

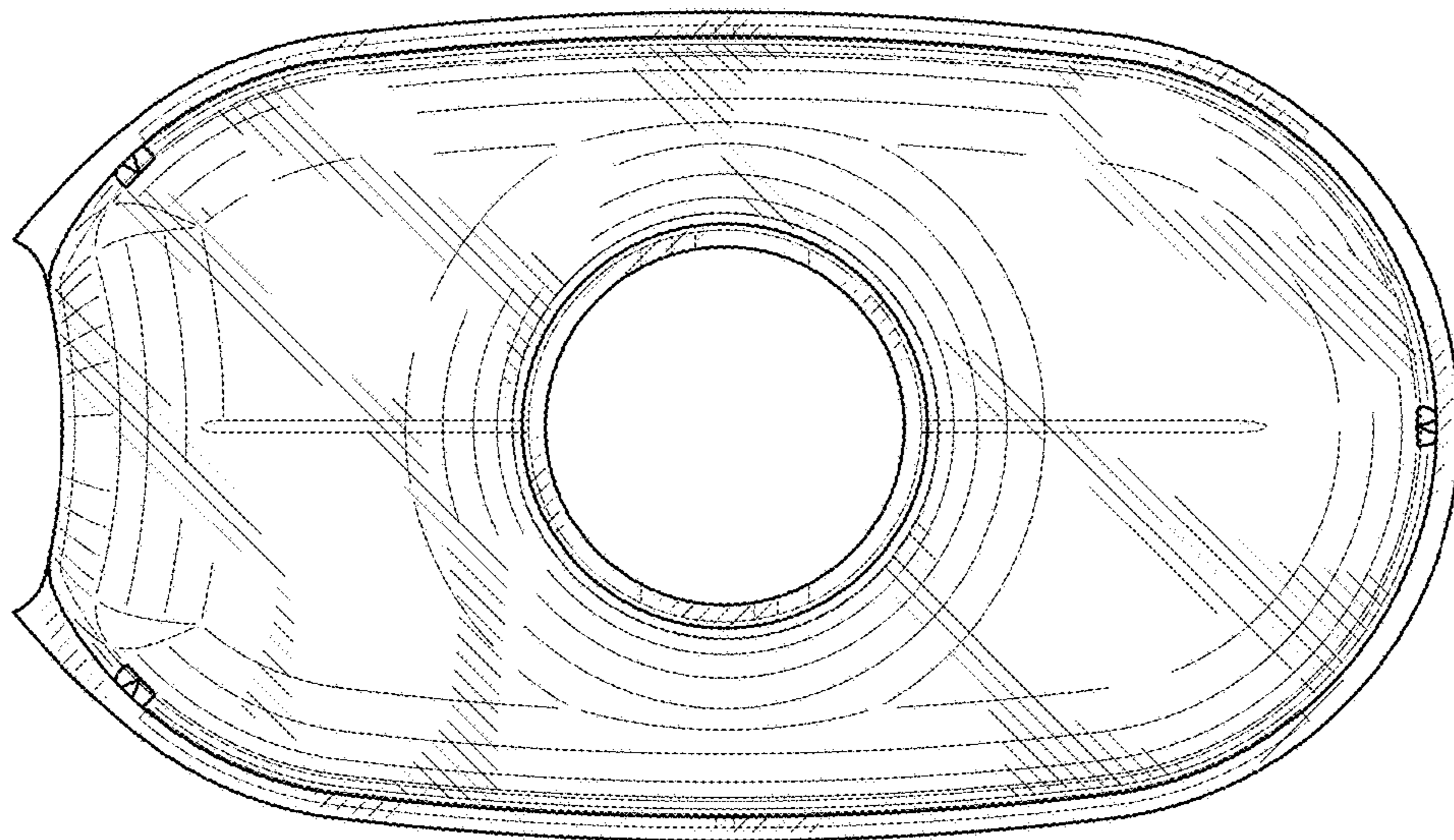


FIG. 15

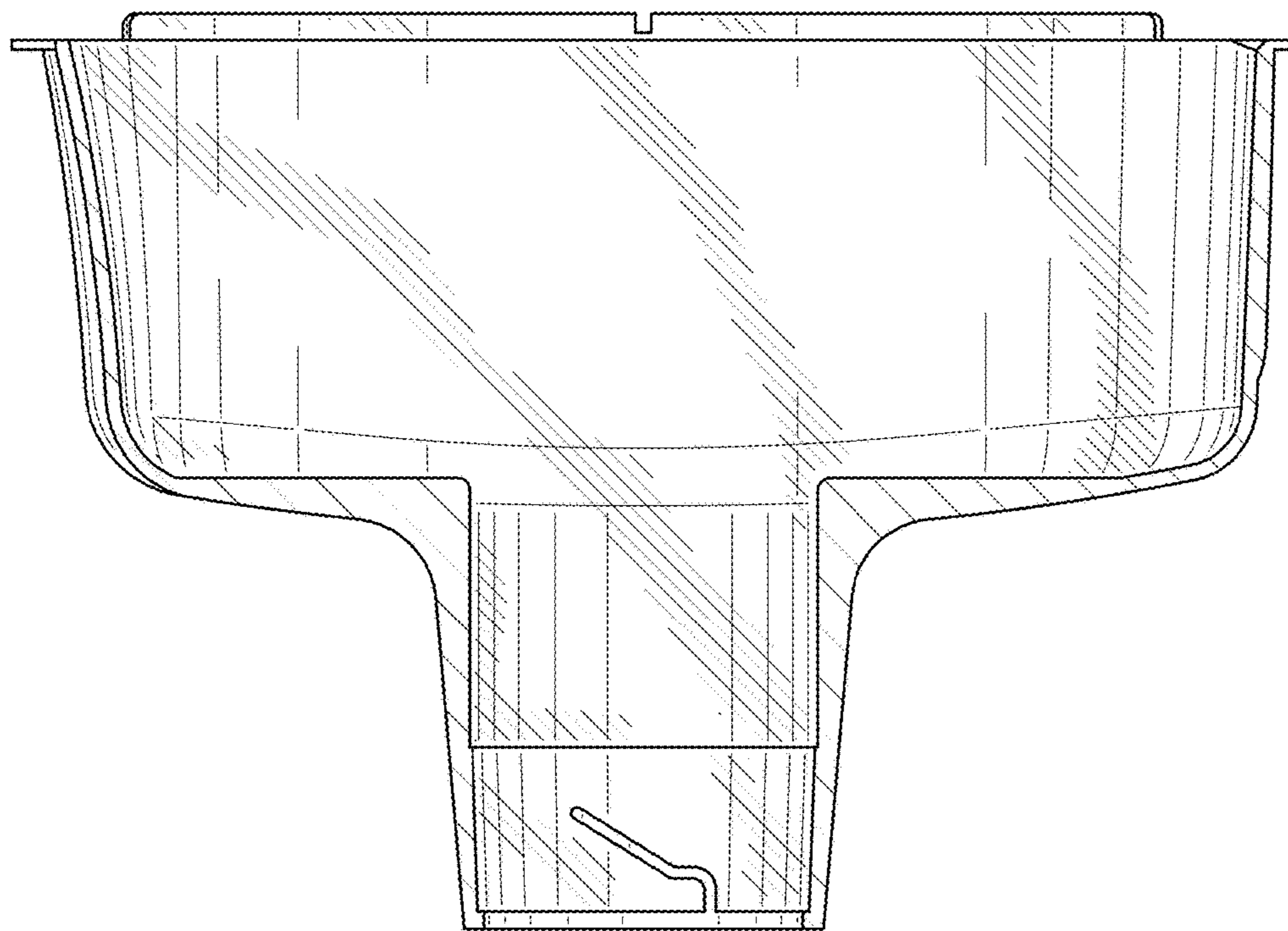


FIG. 16