



US00D775710S

(12) **United States Design Patent** (10) **Patent No.:** **US D775,710 S**
Kim (45) **Date of Patent:** **** Jan. 3, 2017**

(54) **END BUSHING FOR FISHING REEL SPOOL**

(71) Applicant: **Il Han Kim**, Daegu (KR)

(72) Inventor: **Il Han Kim**, Daegu (KR)

(73) Assignee: **Il Han Kim**, Daegu (KR)

(**) Term: **15 Years**

(21) Appl. No.: **29/545,759**

(22) Filed: **Nov. 16, 2015**

(30) **Foreign Application Priority Data**

May 19, 2015 (KR) 30-2015-0025229

(51) **LOC (10) Cl.** **22-05**

(52) **U.S. Cl.**
USPC **D22/137**

(58) **Field of Classification Search**
USPC D21/473, 474, 803; D22/121, 125, 126,
D22/136, 137, 146; D32/29, 37, 53;
D23/262, D23/263, 264, 265, 269
CPC A01K 97/00; A01K 97/02; A01K 97/04;
B63B 17/00; A01G 31/02; B65D 25/00;
B65G 45/04

See application file for complete search history.

(56) **References Cited**

U.S. PATENT DOCUMENTS

D326,710 S * 6/1992 Valls D23/269
D388,489 S * 12/1997 Sikorski D21/803
7,222,743 B1 * 5/2007 Wilhelm A01K 97/06
220/560
D561,305 S * 2/2008 Higgins D23/259
D608,852 S * 1/2010 Armenteros Mendoza . D22/137
D696,751 S * 12/2013 Beagen, Jr. D23/269
D761,398 S * 7/2016 Murphy D23/269
2002/0162275 A1 * 11/2002 Robinson A01G 31/02
47/62 N

2009/0307879 A1* 12/2009 Outland B63B 17/00
24/304
2012/0244980 A1* 9/2012 Su B60K 17/046
475/149
2013/0228584 A1* 9/2013 Khatchaturian B65D 25/00
220/694
2014/0197006 A1* 7/2014 Kverel B65G 39/09
193/37
2015/0076384 A1* 3/2015 Lurk F16K 1/224
251/308
2015/0209652 A1* 7/2015 Magee A63C 17/012
280/86

(Continued)

Primary Examiner — Manpreet Matharu

Assistant Examiner — Suzanne Tisdell

(74) *Attorney, Agent, or Firm* — Paratus Law Group, PLLC

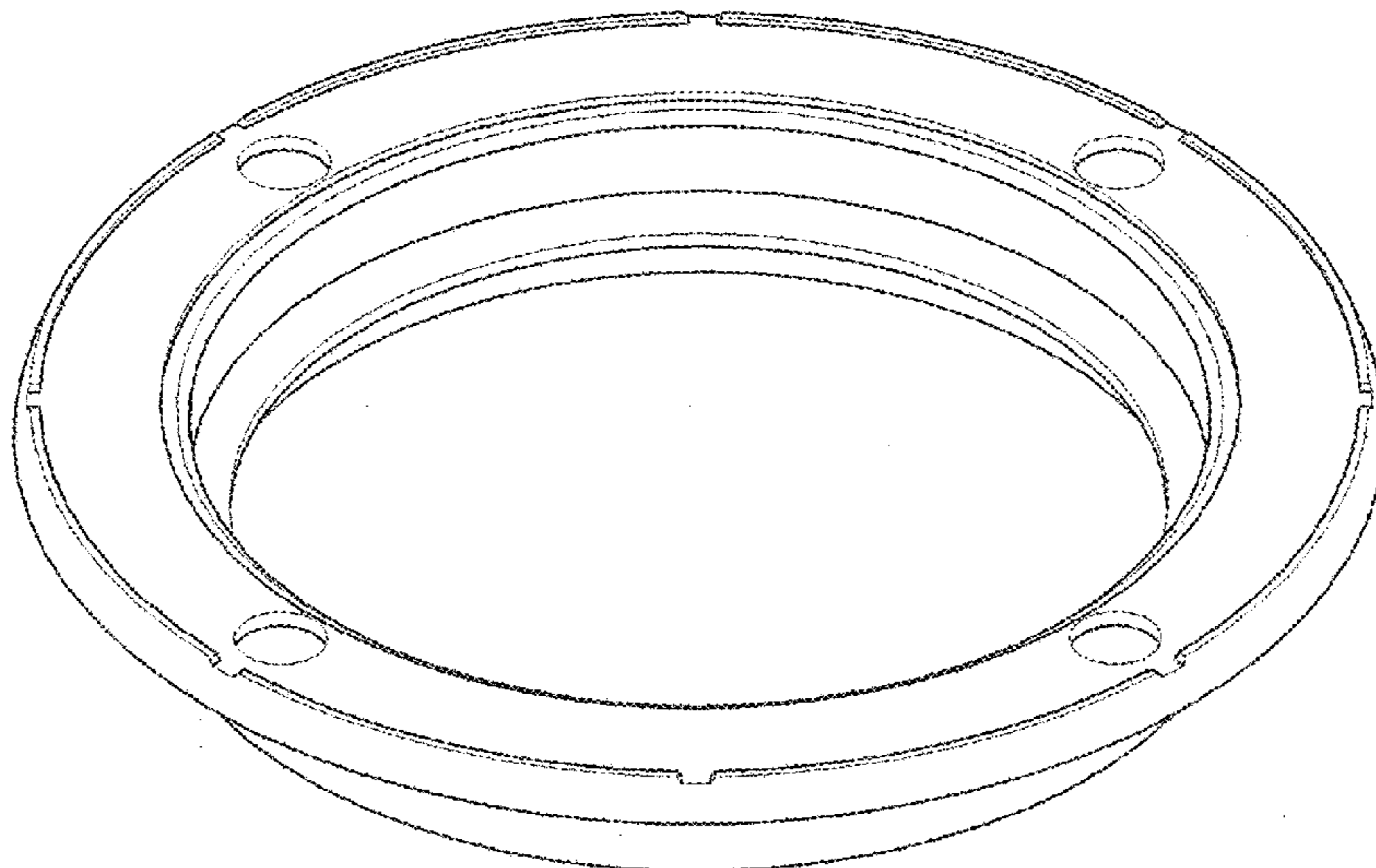
(57) **CLAIM**

The ornamental design for an “end bushing for fishing reel spool,” as shown and described.

DESCRIPTION

FIG. 1 is a perspective view of an end bushing for fishing reel spool showing the claimed design;
FIG. 2 is a front view thereof;
FIG. 3 is a back view thereof;
FIG. 4 is a left side view thereof;
FIG. 5 is a right side view thereof;
FIG. 6 is a top view thereof;
FIG. 7 is a bottom view thereof;
FIG. 8 is a second top view showing a cut line for a cross-sectional view;
FIG. 9 is a cross sectional view taken along line 9-9 in FIG. 8; and,
FIG. 10 shows the end bushing assembled with the fishing reel spool.
The broken lines in FIG. 10 depict environment and form no part of the claimed design.

1 Claim, 6 Drawing Sheets



(56)

References Cited

U.S. PATENT DOCUMENTS

2015/0280413 A1* 10/2015 Coyle H02G 3/22
277/626
2015/0334928 A1* 11/2015 Kort A01G 31/02
47/62 R

* cited by examiner

FIG. 1

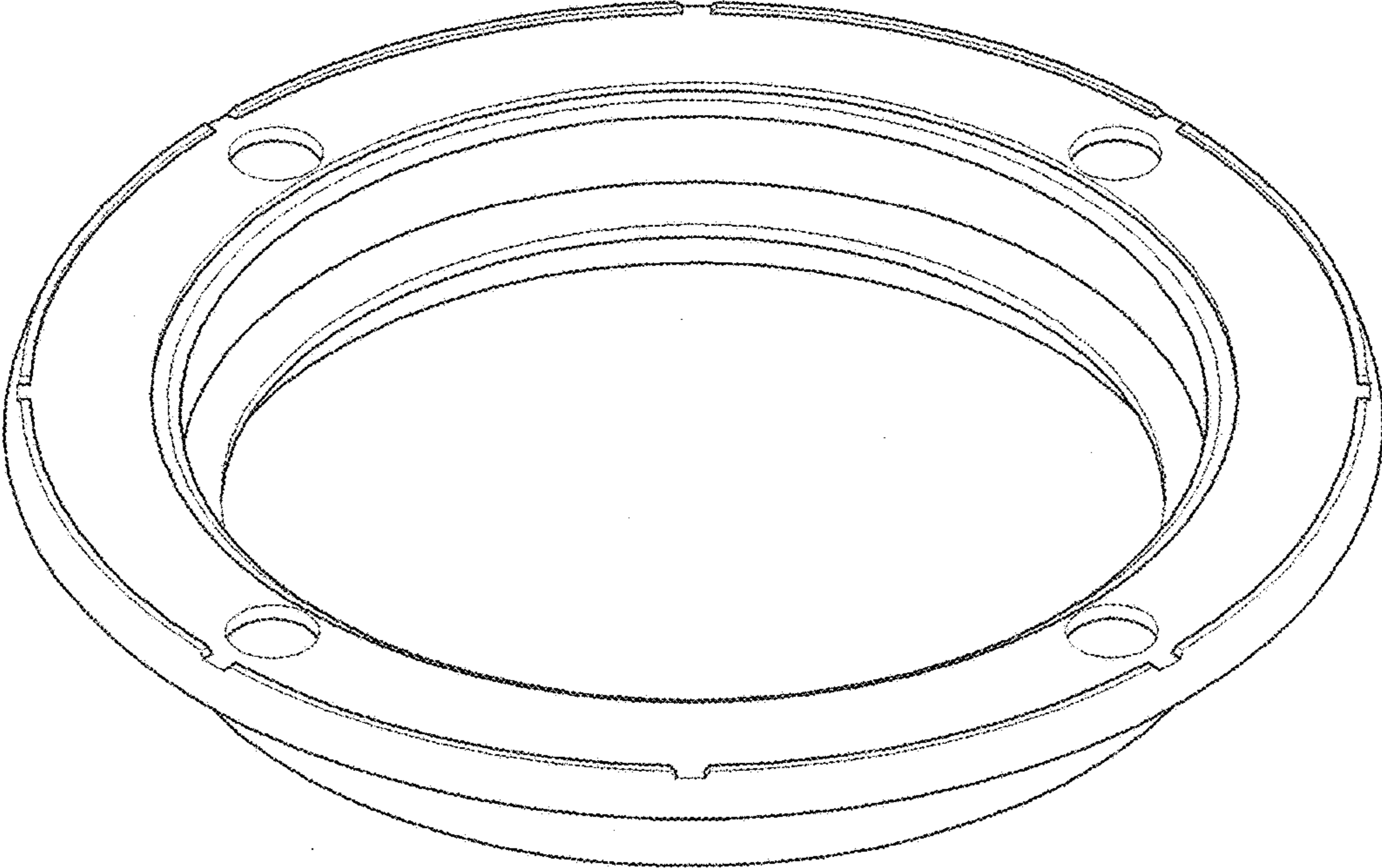


FIG. 2

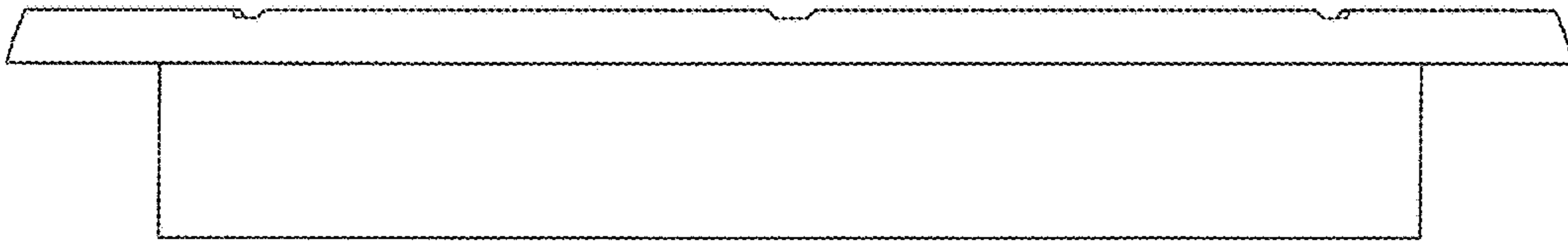


FIG. 3

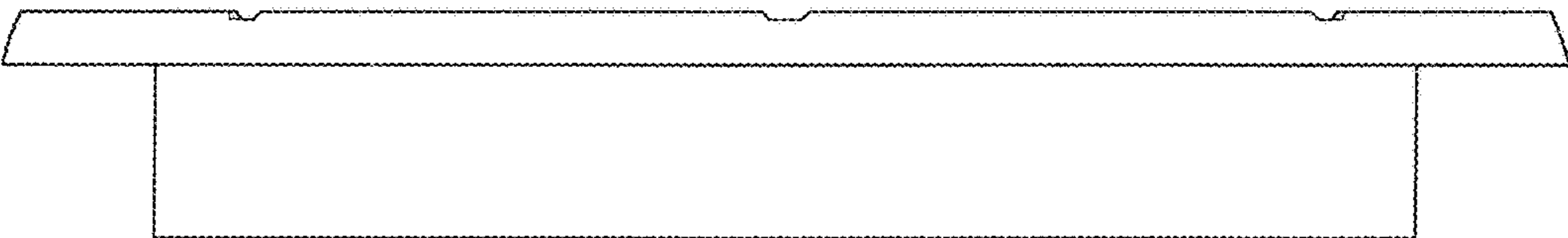


FIG. 4

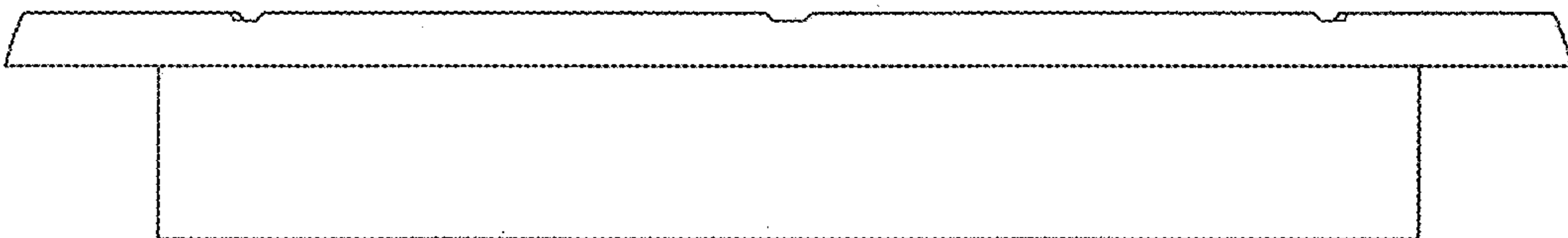


FIG. 5

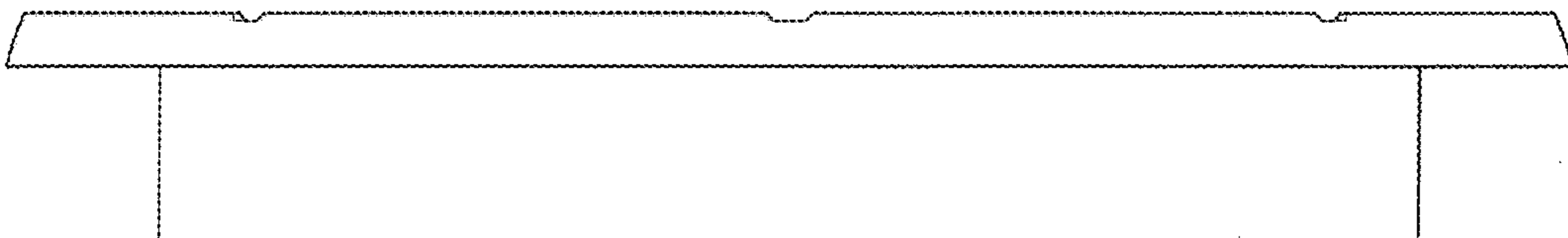


FIG. 6

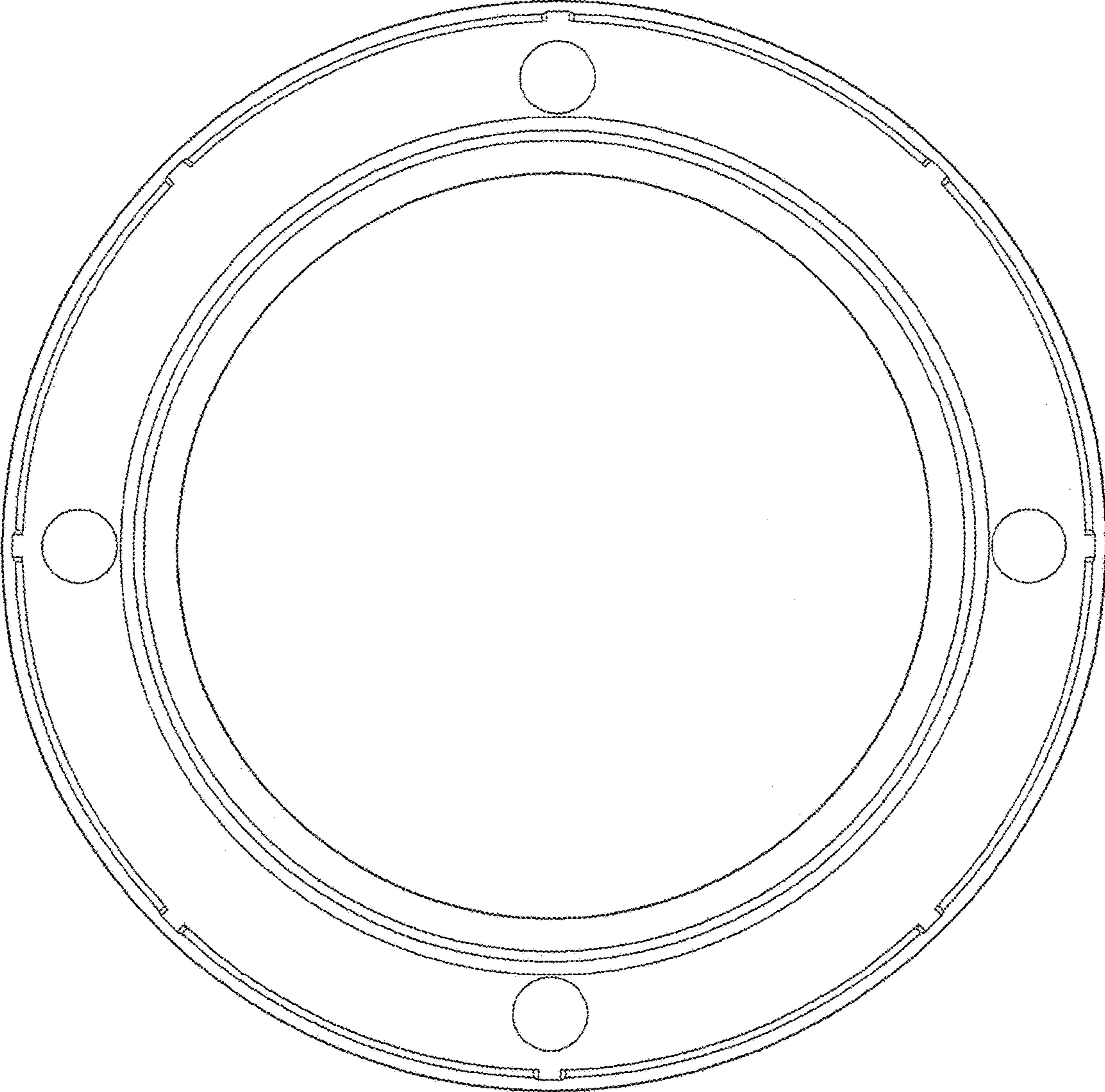


FIG. 7

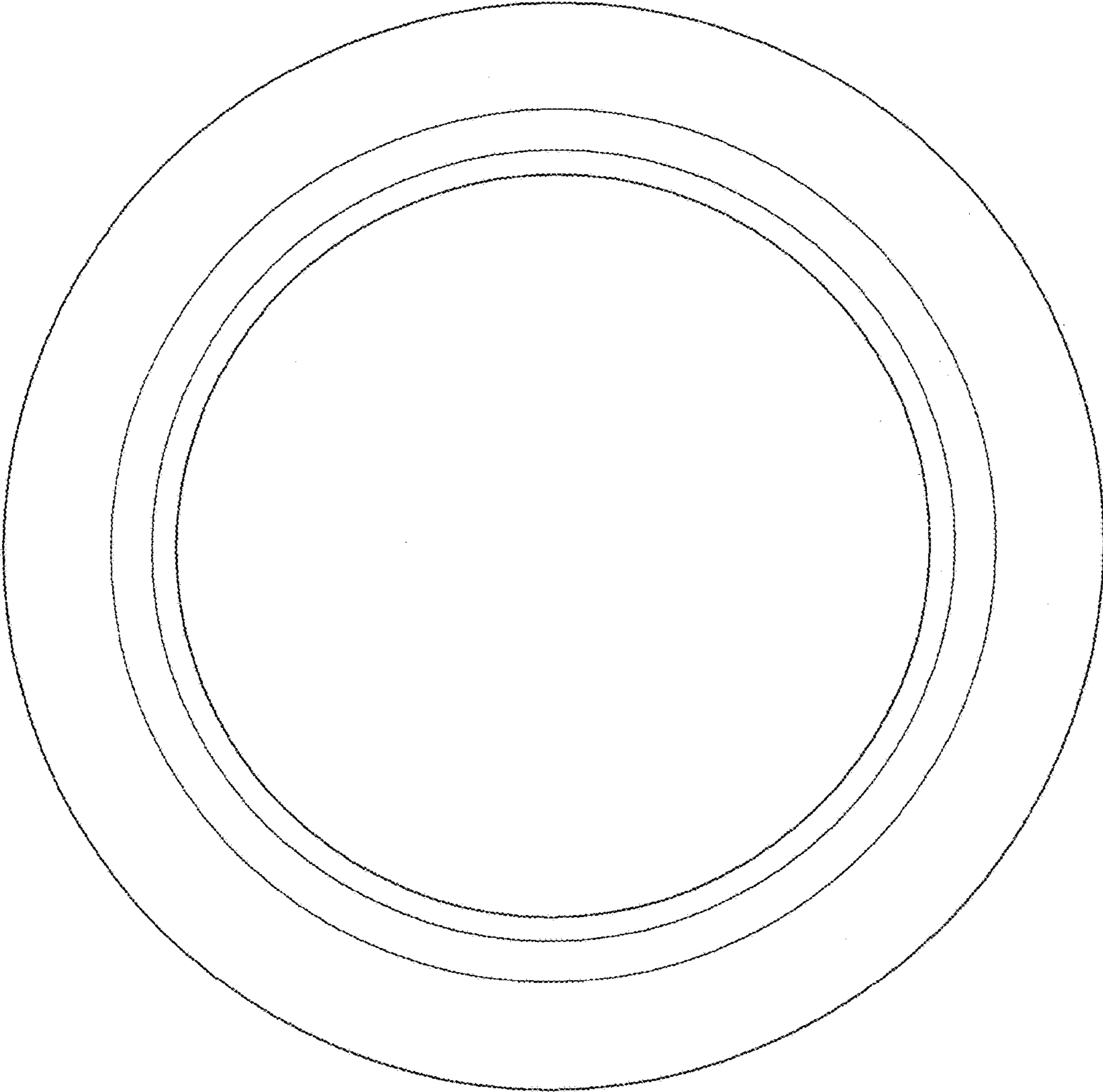


FIG. 8

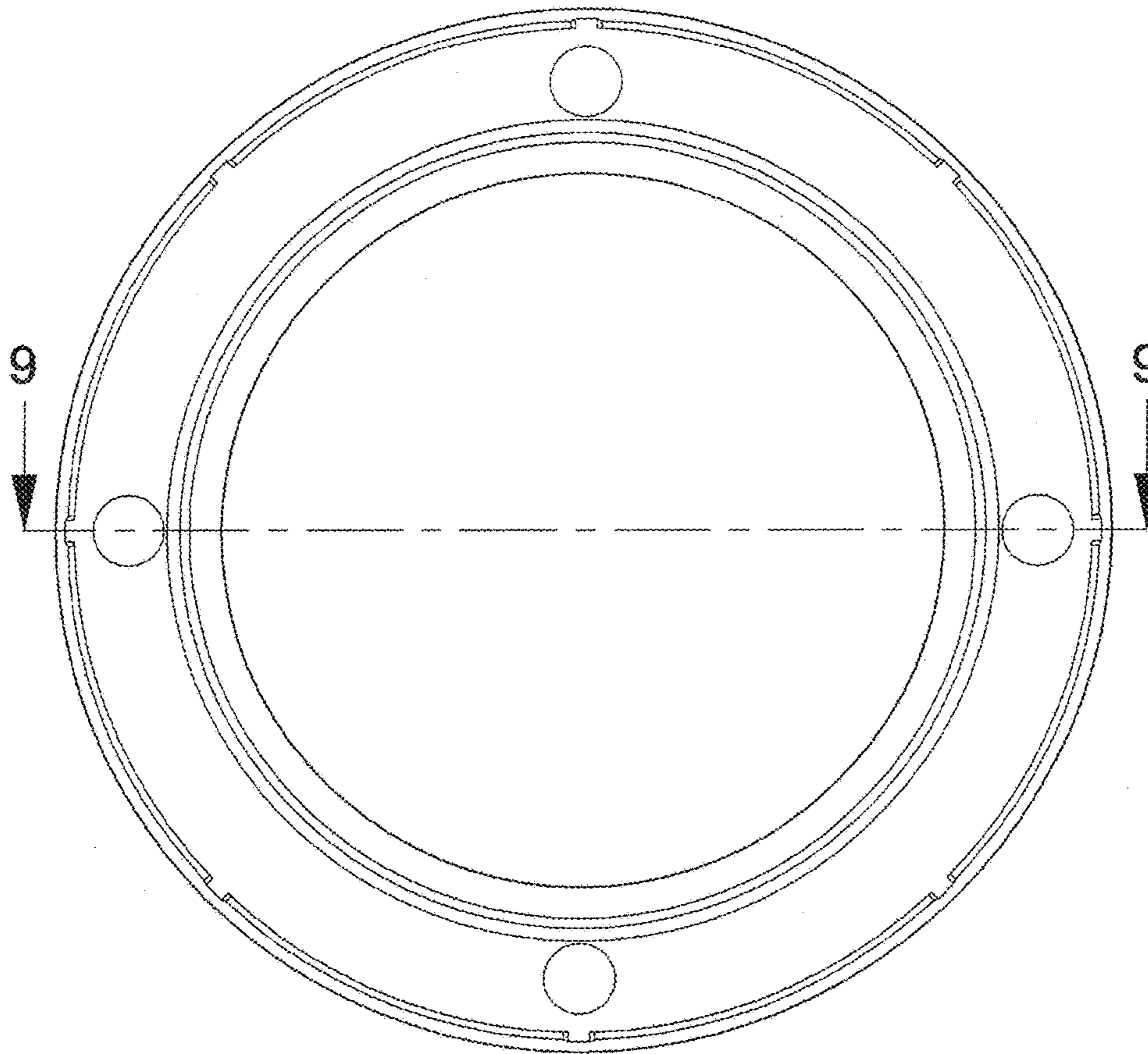


FIG. 9

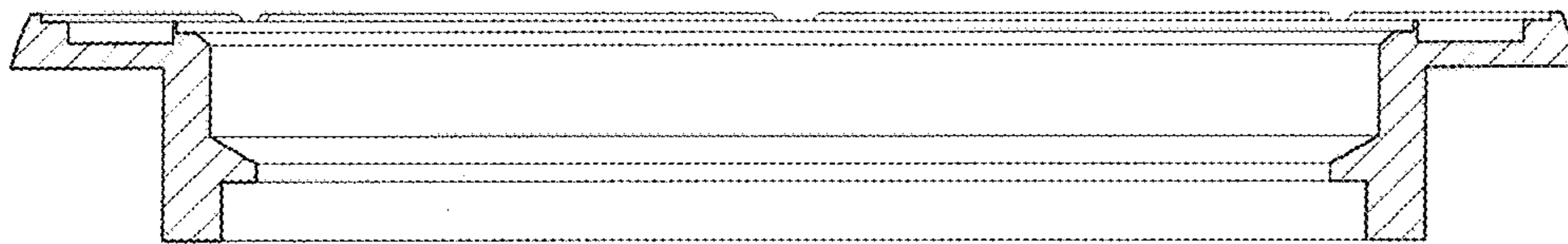


FIG. 10

