



US00D775707S

(12) **United States Design Patent** (10) **Patent No.:** **US D775,707 S**
Cook, Jr. et al. (45) **Date of Patent:** **** Jan. 3, 2017**

(54) **FISHING LURE**

(71) Applicants: **Victor J. Cook, Jr.**, Columbus, OH (US); **Grant Koppers**, Niagara-On-The-Lake (CA)

(72) Inventors: **Victor J. Cook, Jr.**, Columbus, OH (US); **Grant Koppers**, Niagara-On-The-Lake (CA)

(73) Assignee: **Koppers Fishing and Tackle Corp.**, Niagara-On-The-Lake, Ontario (CA)

(**) Term: **15 Years**

(21) Appl. No.: **29/533,106**

(22) Filed: **Jul. 14, 2015**

(51) **LOC (10) Cl.** **22-05**

(52) **U.S. Cl.**
USPC **D22/132**

(58) **Field of Classification Search**
USPC D22/126-133; 43/42.03, 42.08, 42.11, 43/42.39, 42.45, 42.36, 42.02, 42.15, 43/42.37, 42.47; D21/578, 597
CPC A01K 85/00; A01K 85/18
See application file for complete search history.

(56) **References Cited**

U.S. PATENT DOCUMENTS

D487,584 S *	3/2004	Brinkman	D22/132
D518,140 S *	3/2006	Firmin	D22/132
D692,519 S *	10/2013	Nichols	D22/132
D742,475 S *	11/2015	Cook, Jr.	D22/132

* cited by examiner

Primary Examiner — Catheri Oliver-Garcia

(74) *Attorney, Agent, or Firm* — Wm. Cates Rambo

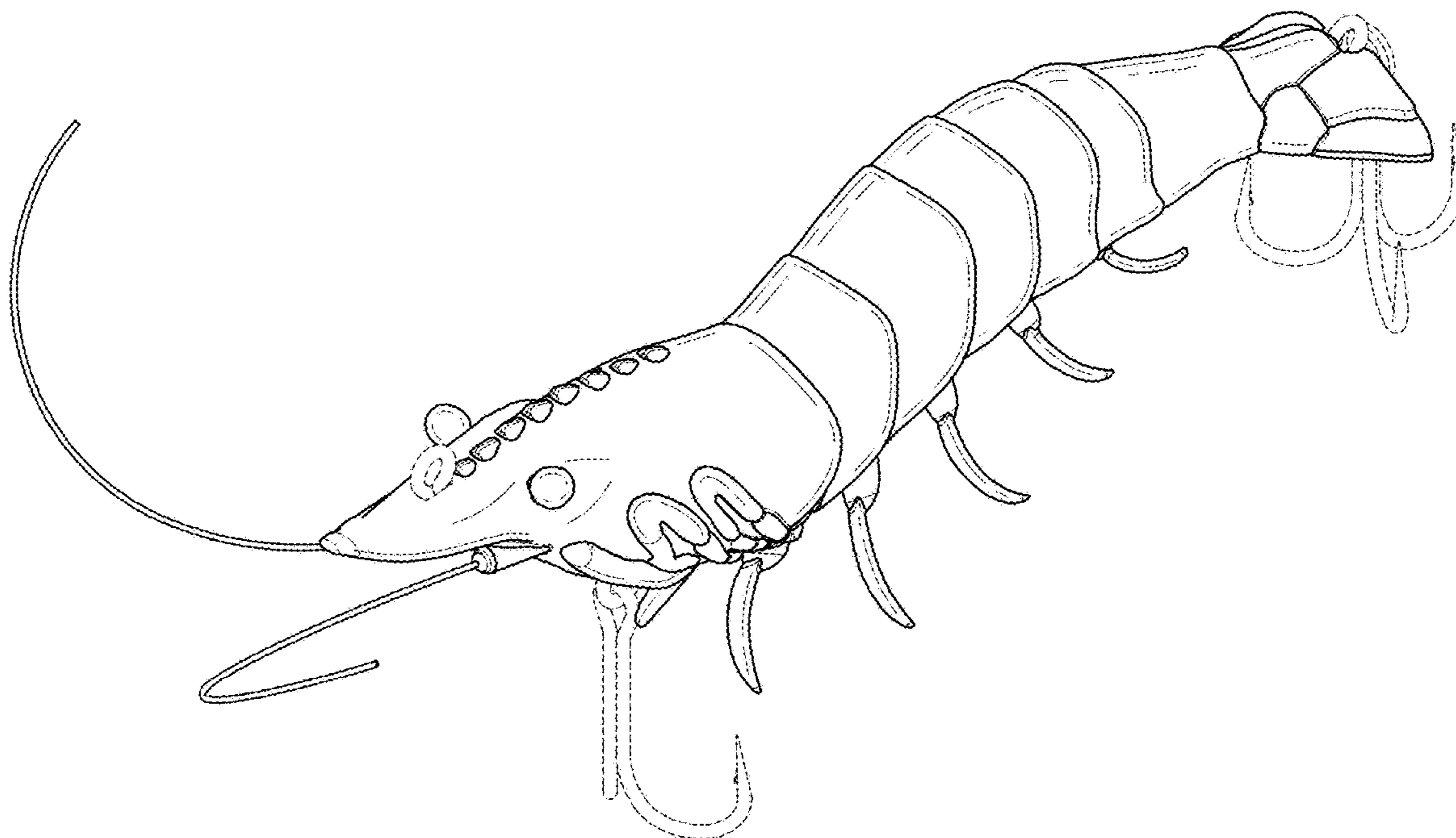
(57) **CLAIM**

The ornamental design for a fishing lure, as shown and described.

DESCRIPTION

FIG. 1 is a perspective view of a fishing lure; FIG. 2 is a left side elevational view thereof; FIG. 3 is a right side elevational view thereof; FIG. 4 is a top plan view thereof; FIG. 5 is a bottom plan view thereof; FIG. 6 is a front elevational view thereof; and, FIG. 7 is a rear elevational view thereof. The portions shown in broken lines depict environment and are included for illustrative purposes only and form no part of the claimed design.

1 Claim, 3 Drawing Sheets



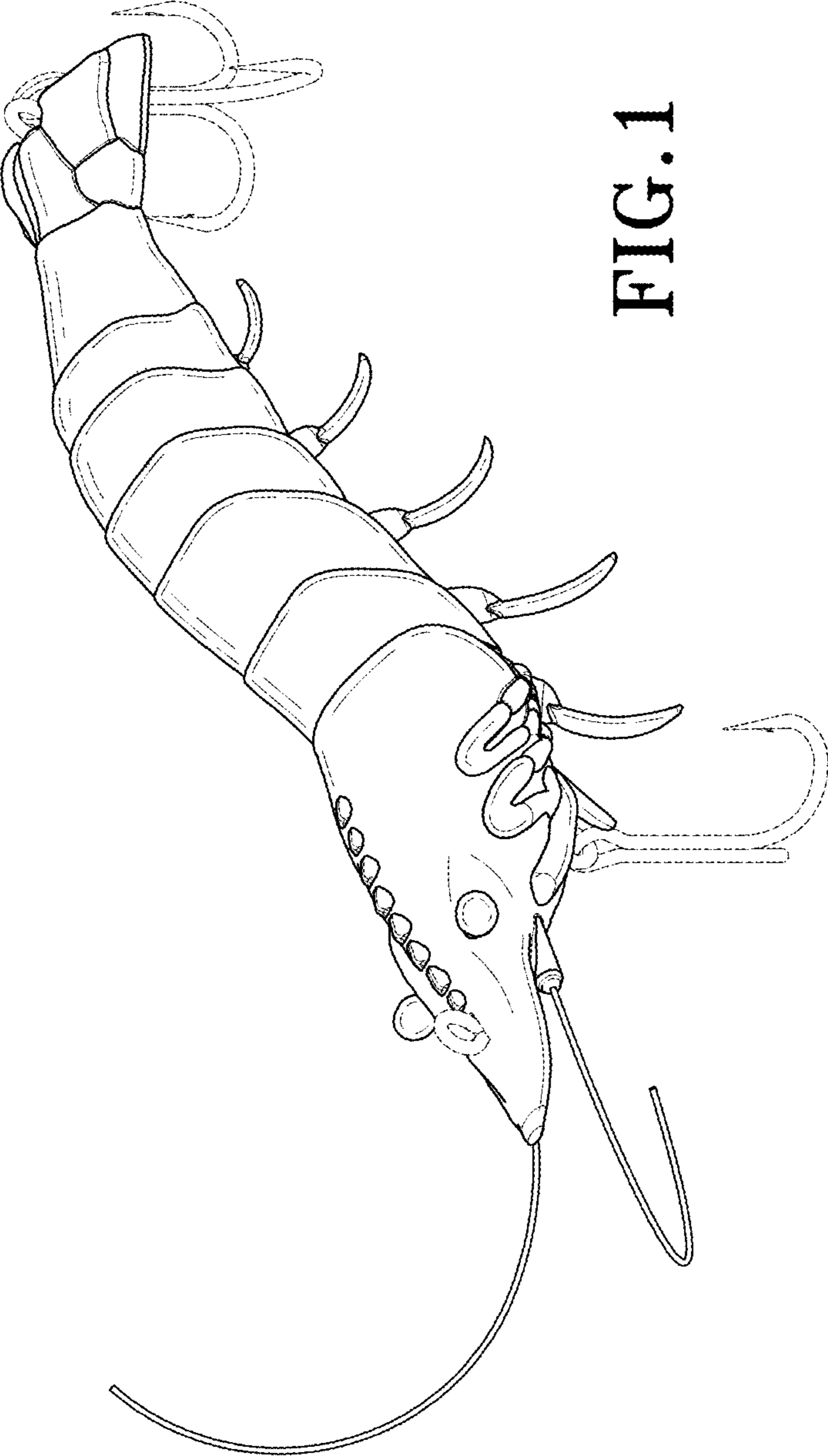


FIG. 1

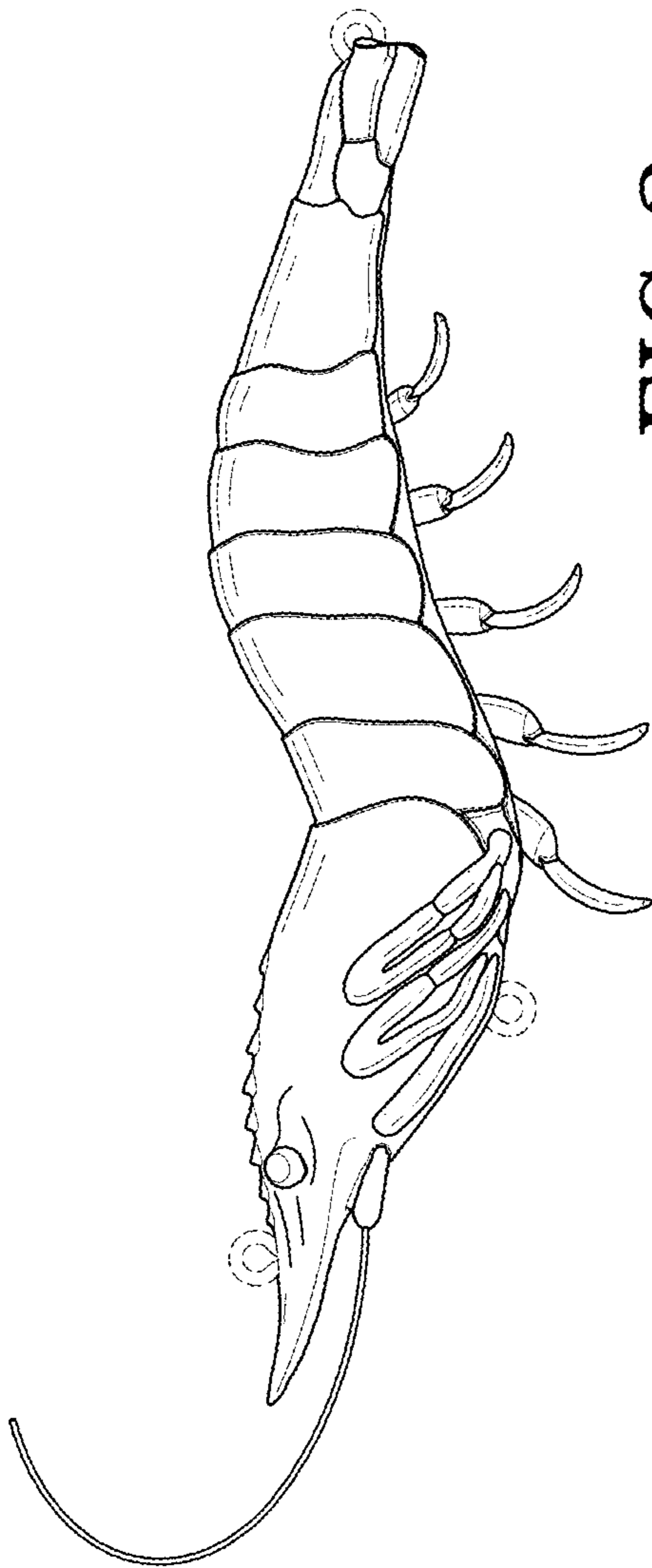


FIG. 2



FIG. 3

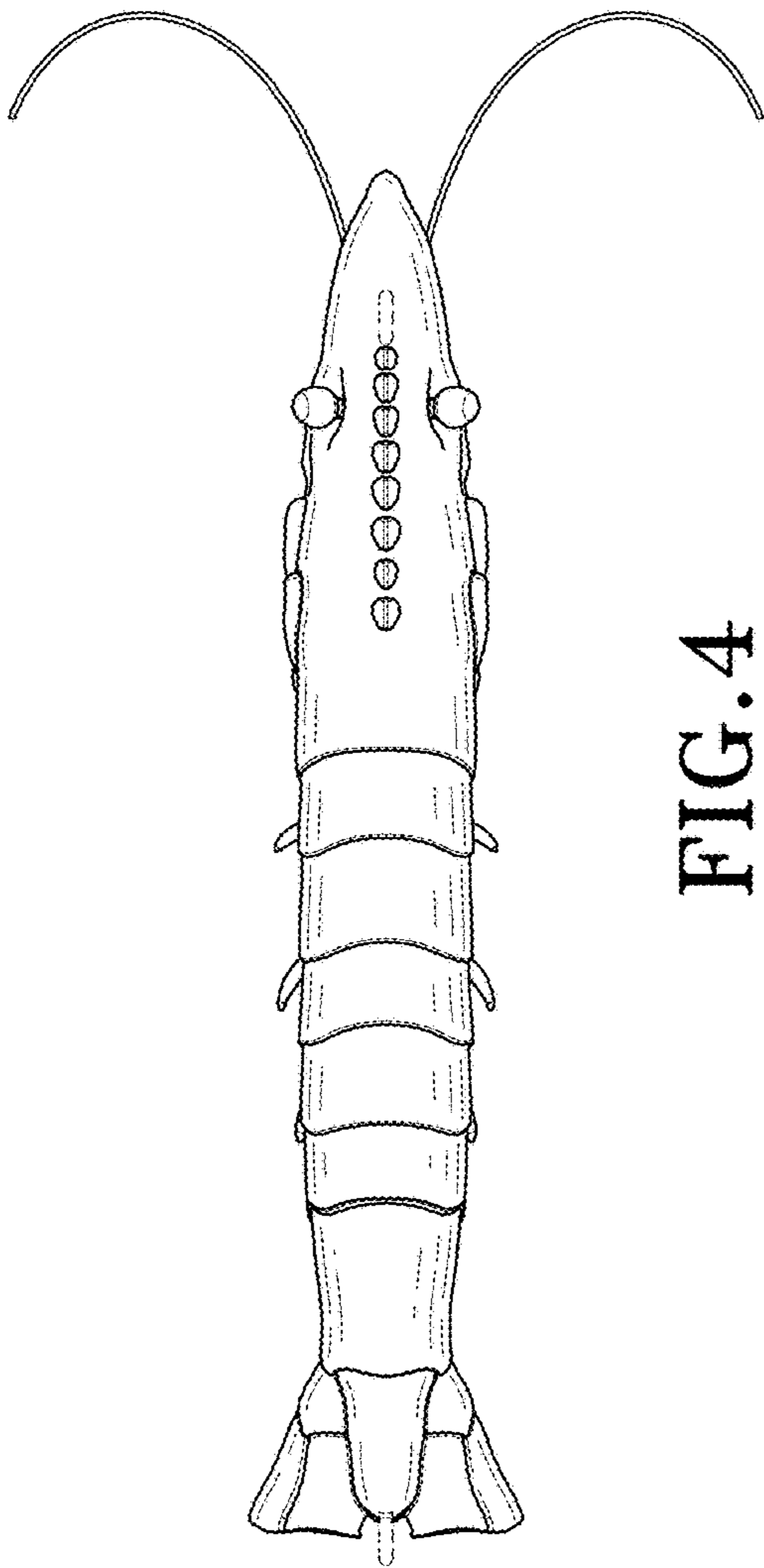


FIG. 4

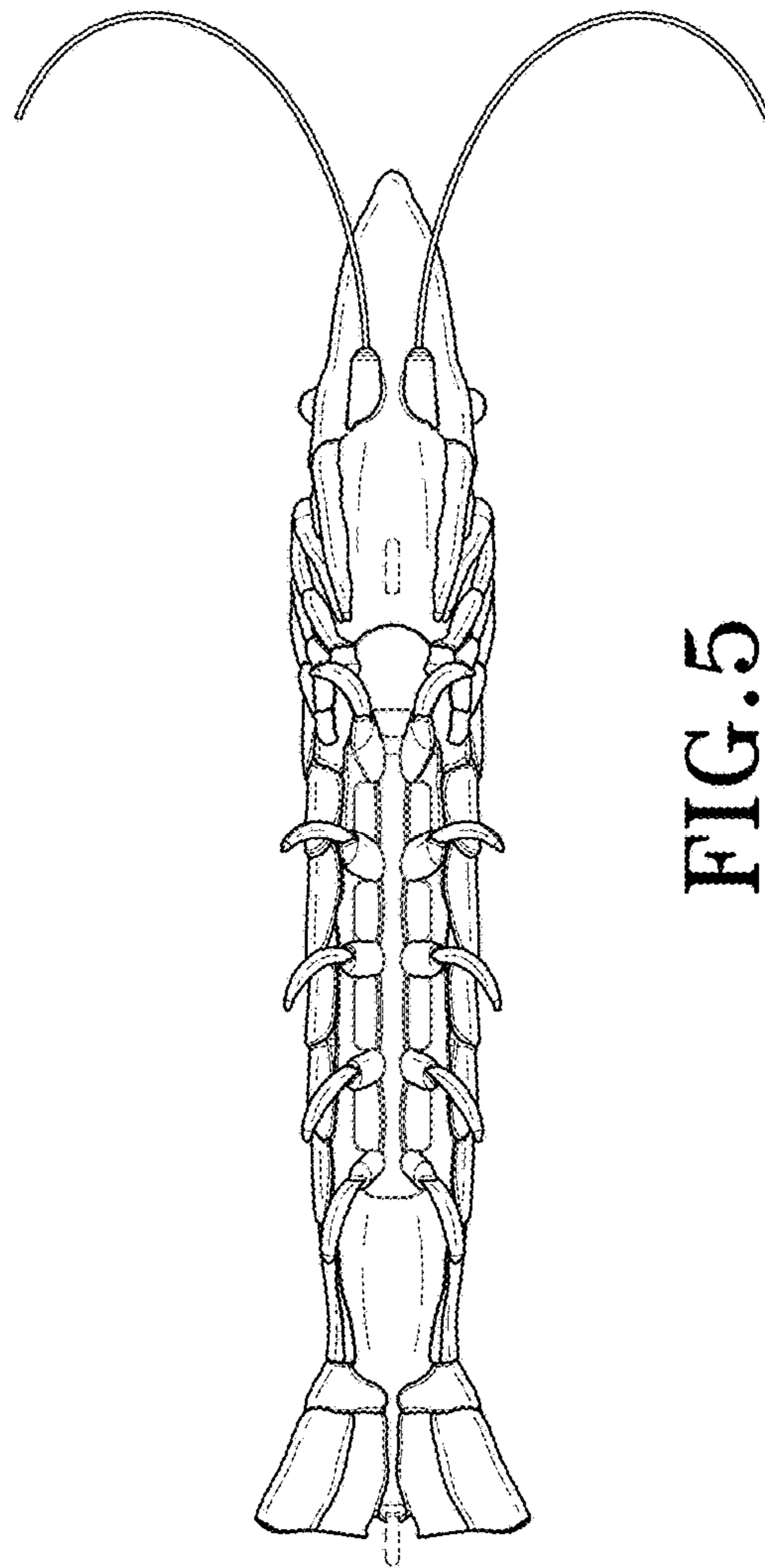


FIG. 5

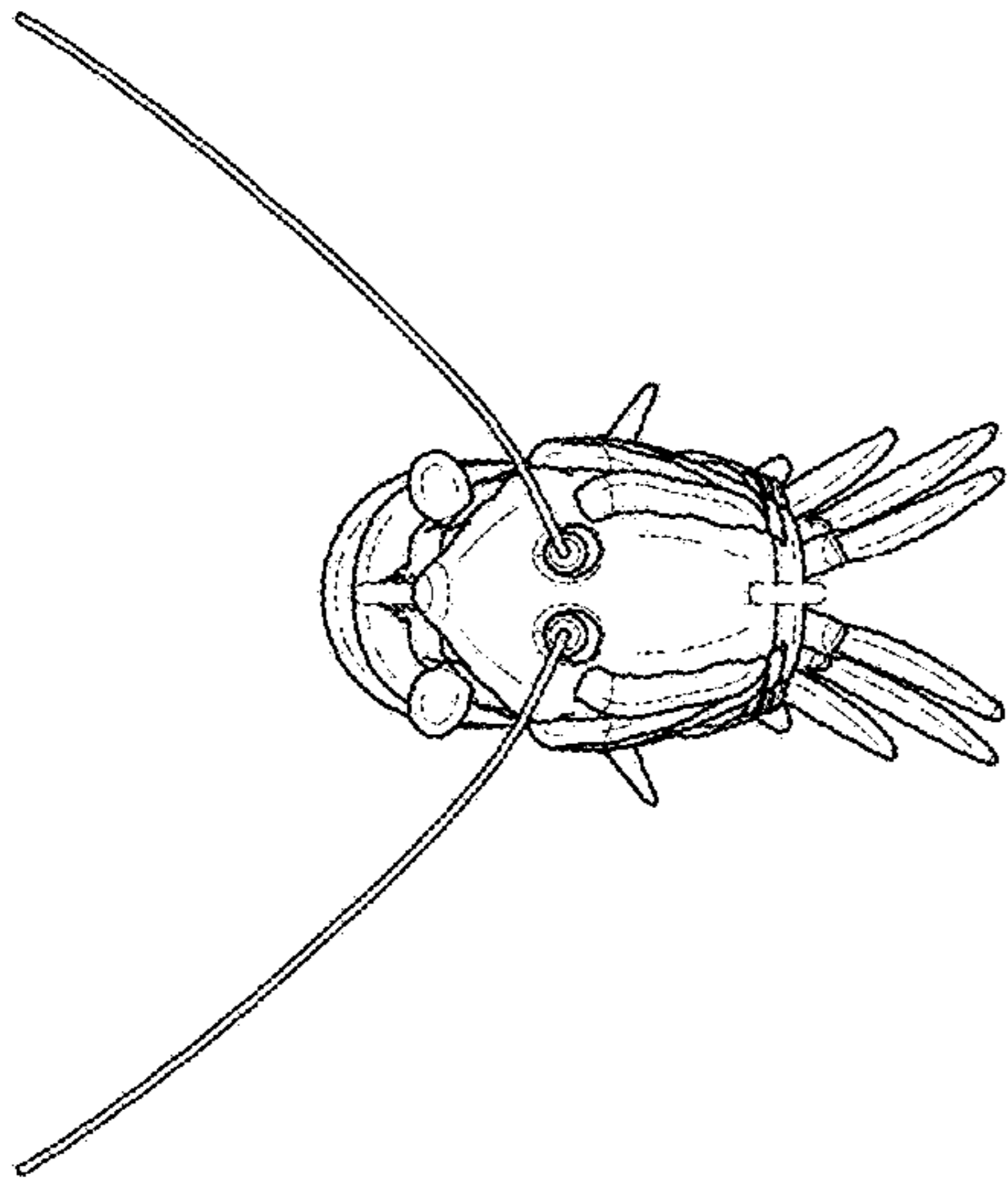


FIG. 6

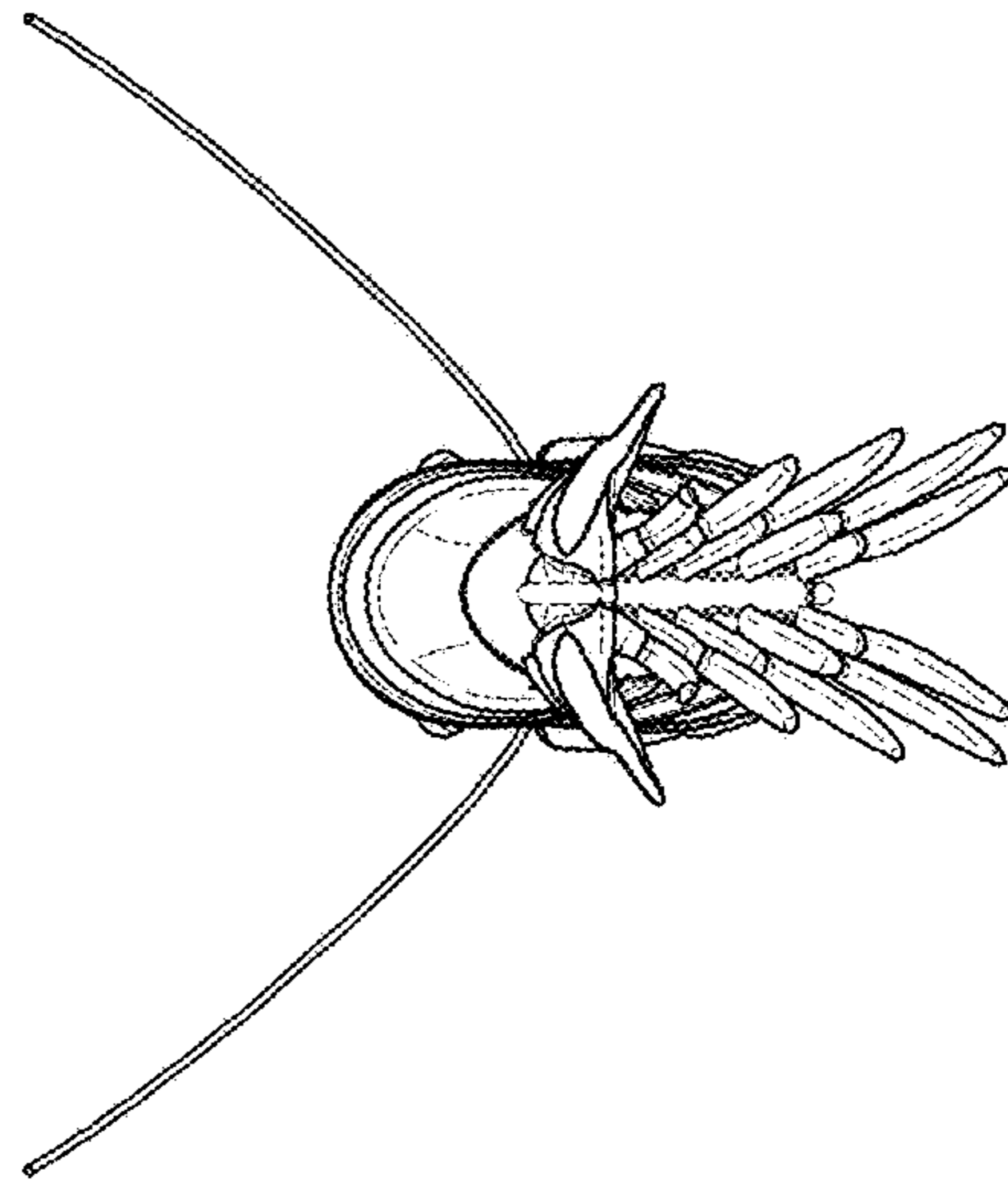


FIG. 7