



US00D775703S

(12) **United States Design Patent**
Throgmorton

(10) **Patent No.:** **US D775,703 S**

(45) **Date of Patent:** **** Jan. 3, 2017**

(54) **UNIVERSAL ARCHERY BOW STAND**

(71) Applicant: **Michael R. Throgmorton**, St. Ann,
MO (US)

(72) Inventor: **Michael R. Throgmorton**, St. Ann,
MO (US)

(**) Term: **15 Years**

(21) Appl. No.: **29/505,263**

(22) Filed: **Aug. 14, 2015**

(51) **LOC (10) Cl.** **22-01**

(52) **U.S. Cl.**
USPC **D22/107**

(58) **Field of Classification Search**
USPC D22/107; D21/302, 306, 307, 324, 334,
D21/385
CPC B60R 7/14; B60R 5/04; B60R 11/00;
F41C 27/00; F41J 1/10; F41J 5/04; F41J
5/14; F41J 7/04; F41J 5/10; F41J
5/24; F41J 11/00; F41J 5/056; F41J 5/06;
F41J 5/20; F41J 7/00; F41J 1/01; F41J
5/00; F41J 5/02; F41J 5/18; F41J 5/205;
F41J 5/22; F41J 9/02; F41J 9/16; F41J
9/165

See application file for complete search history.

(56) **References Cited**

U.S. PATENT DOCUMENTS

D260,674 S * 9/1981 Simmons D22/107
D299,199 S * 1/1989 Rogowski D22/107
D375,645 S * 11/1996 Foster D6/552

D422,333 S * 4/2000 Foster D22/100
6,948,694 B1 * 9/2005 Gilbert F41B 5/14
124/23.1
D700,942 S * 3/2014 Smith D22/108
D714,414 S * 9/2014 Wright, III D22/107
D717,387 S * 11/2014 Wright D22/107

* cited by examiner

Primary Examiner — Michael A Pratt

(74) *Attorney, Agent, or Firm* — Paul M Denk

(57) **CLAIM**

The ornamental design for the universal archery bow stand,
as shown and described.

DESCRIPTION

FIG. 1 is an isometric view of the archery bow stand of this
invention;

FIG. 2 is a front view thereof;

FIG. 3 is a rear view;

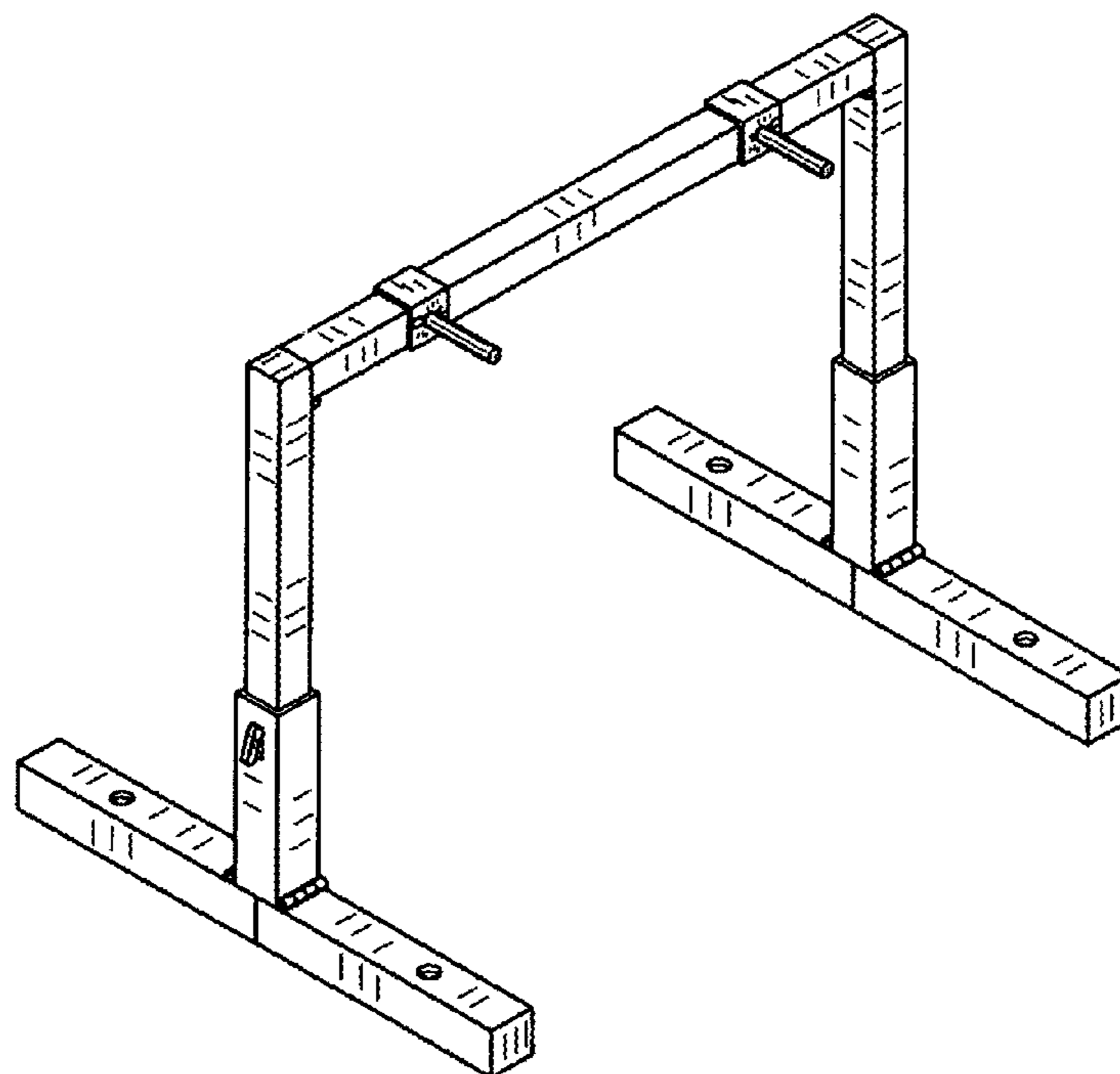
FIG. 4 is a left side view;

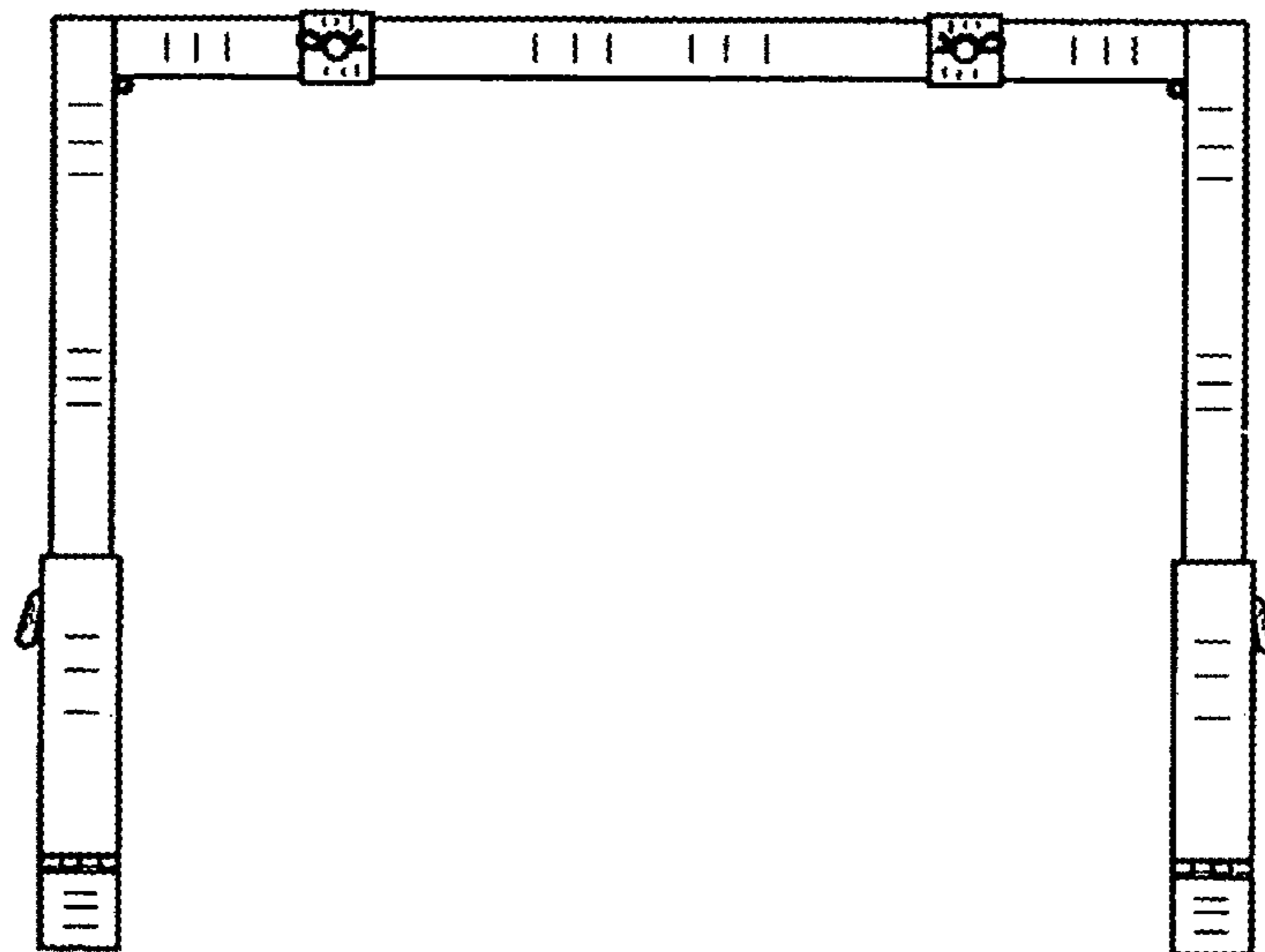
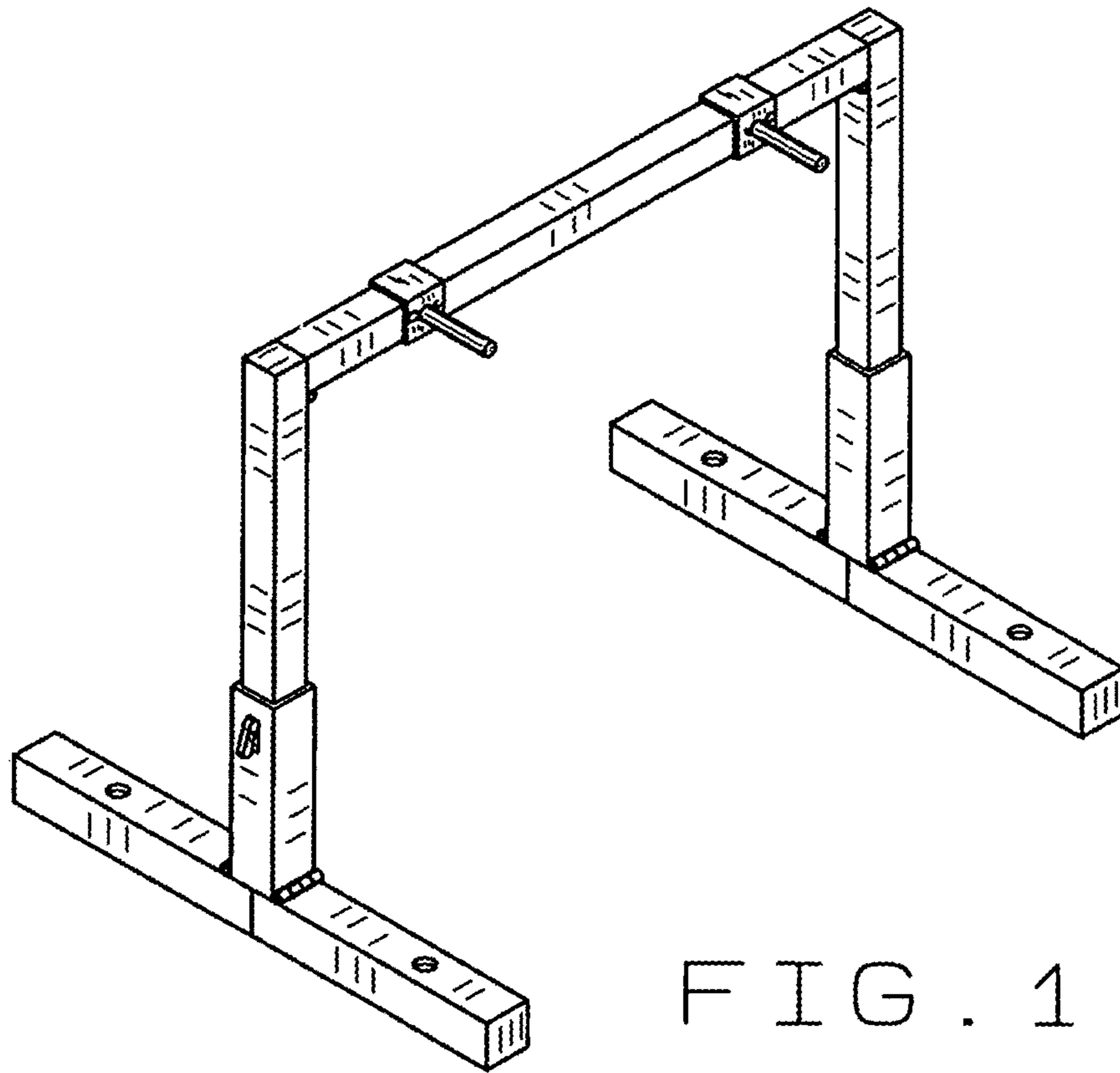
FIG. 5 is a right side view;

FIG. 6 is a plan view; and,

FIG. 7 is a bottom view of the invention.

1 Claim, 3 Drawing Sheets





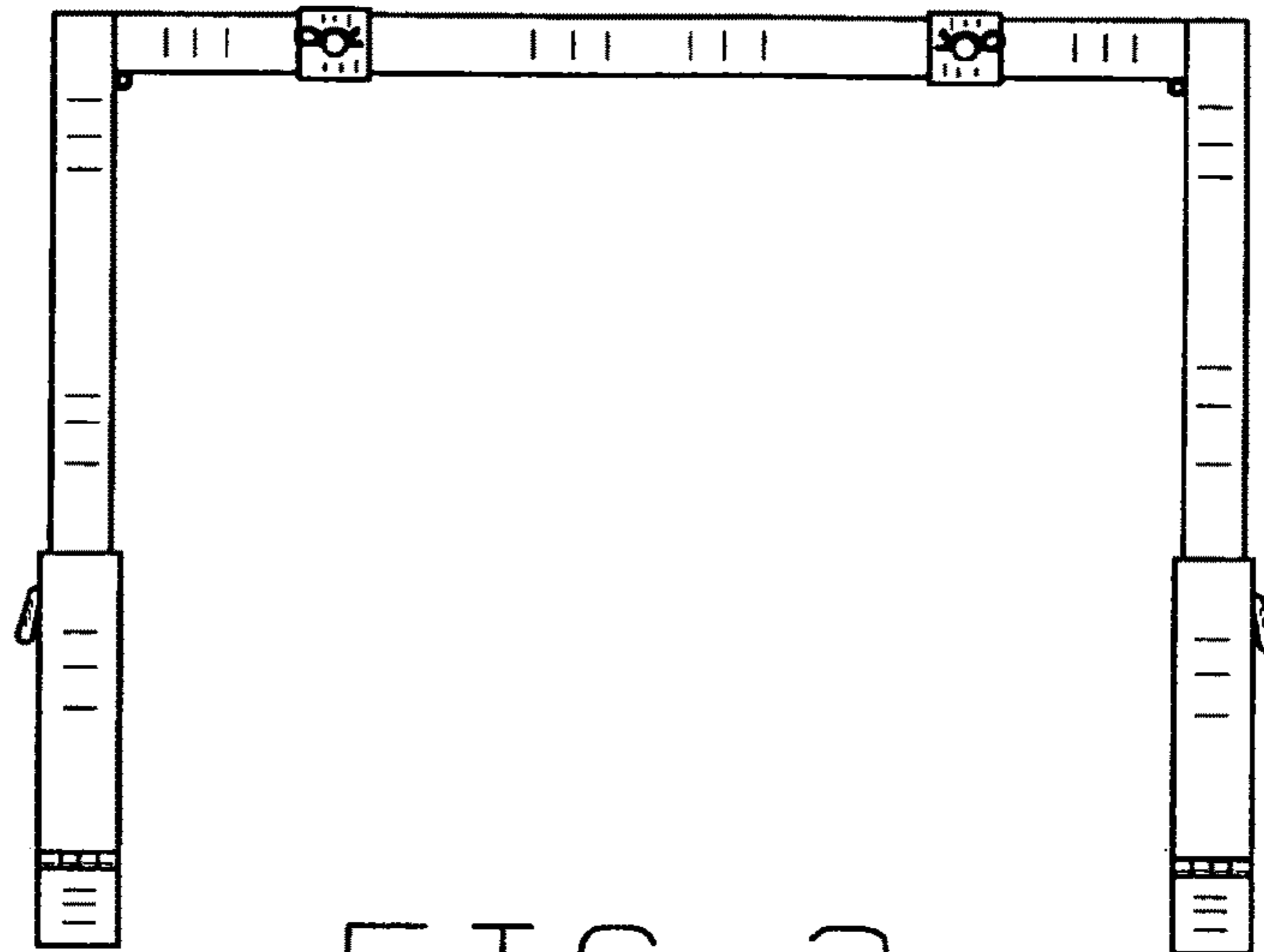


FIG. 3

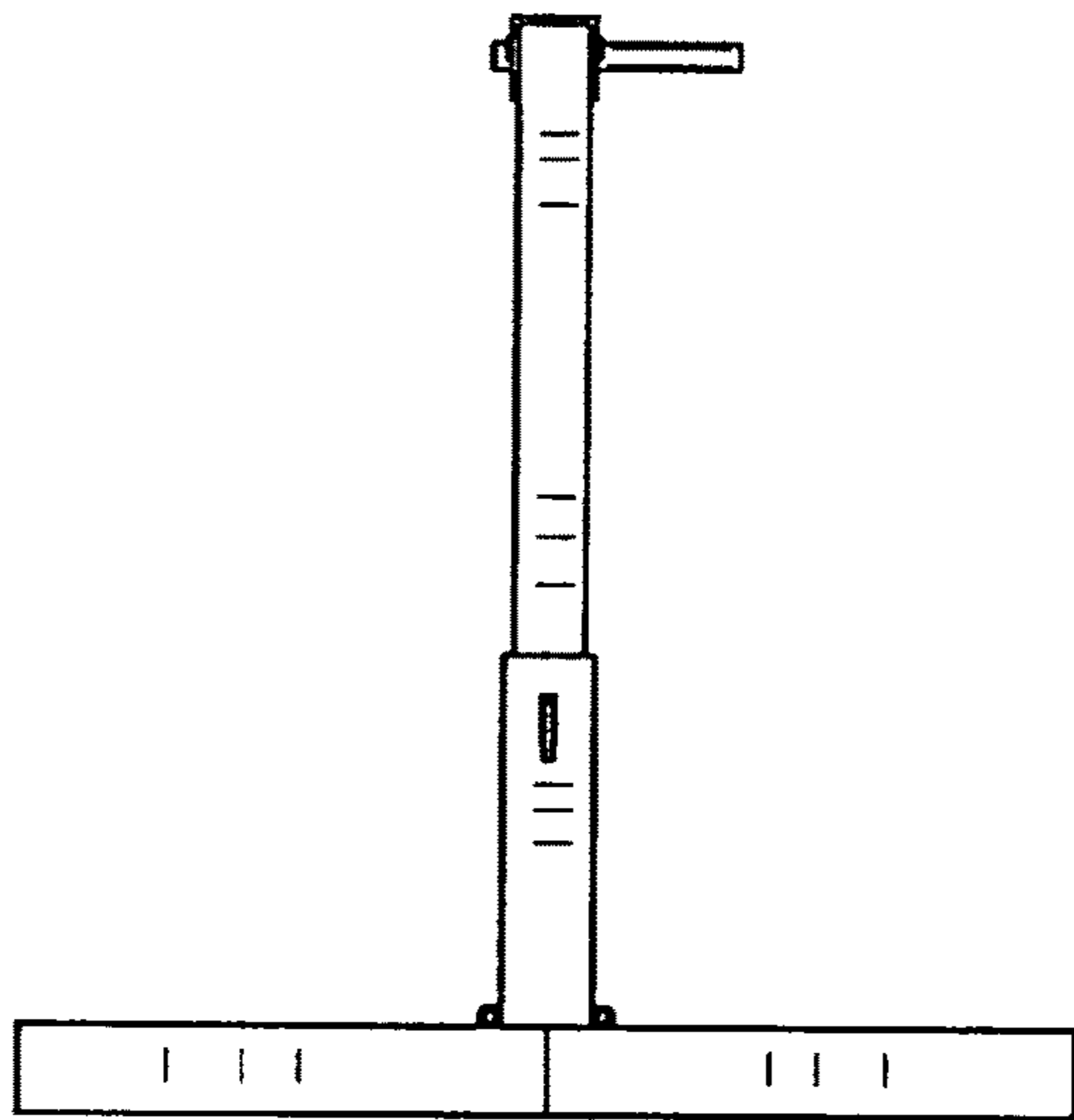


FIG. 4

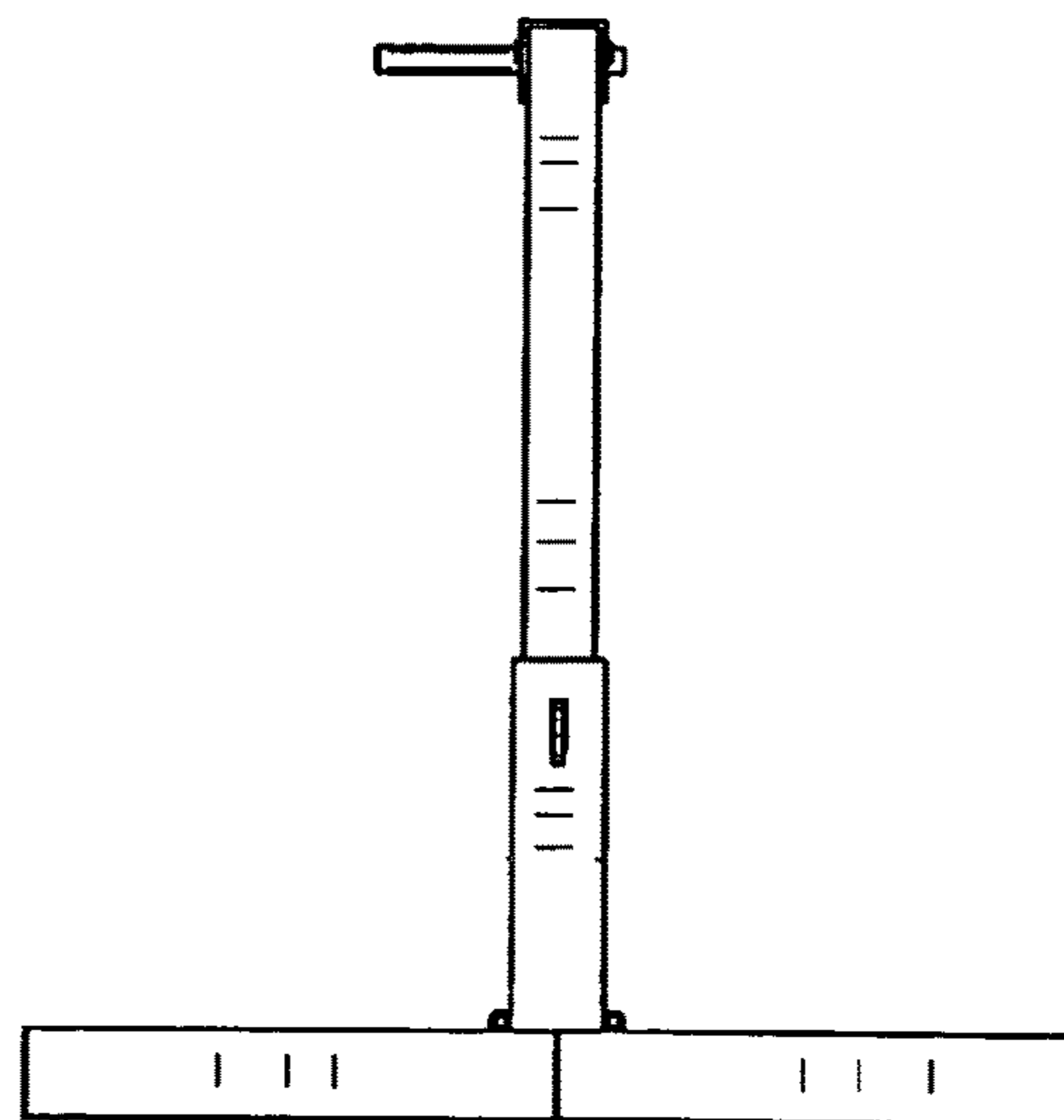


FIG. 5

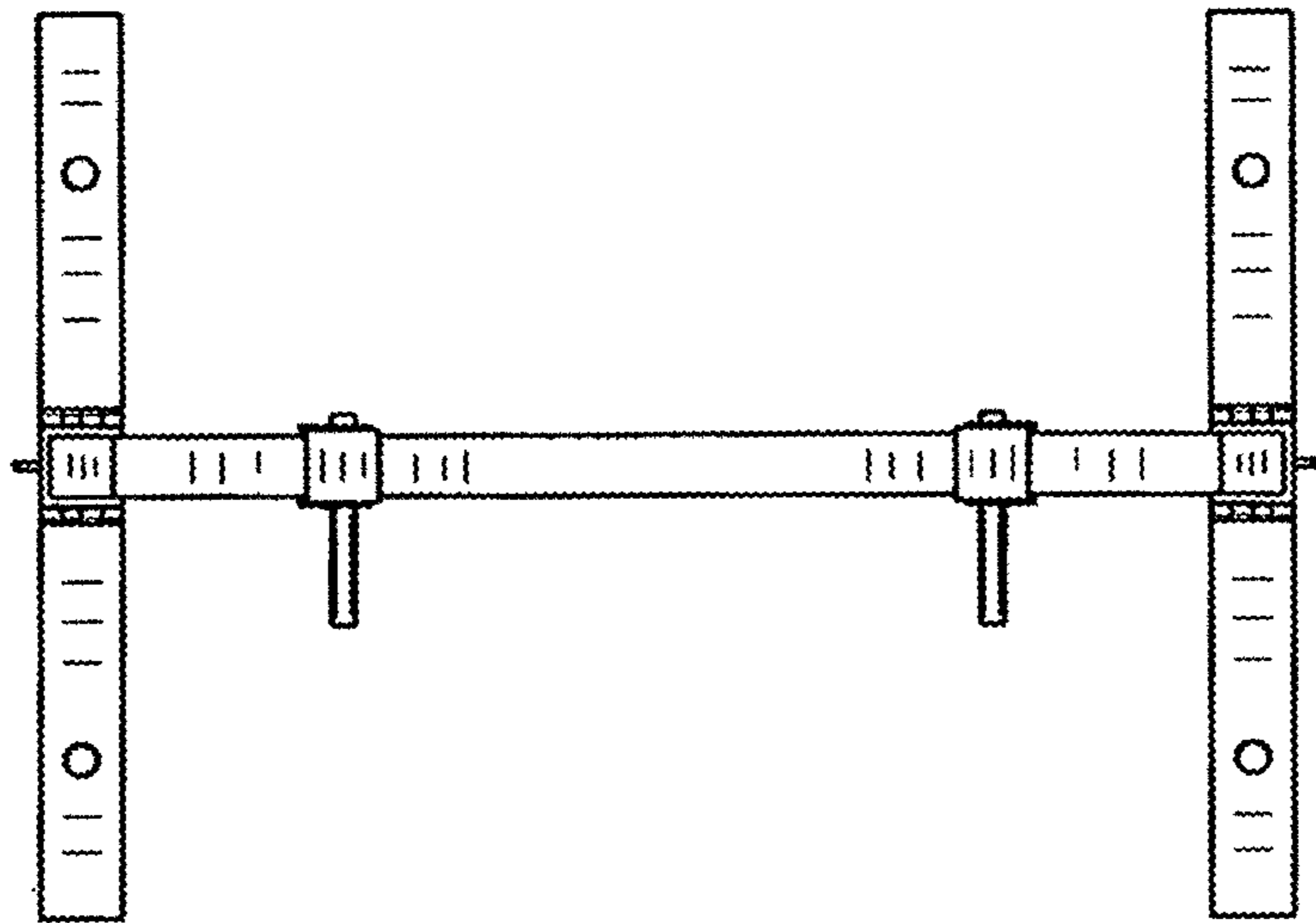


FIG. 6

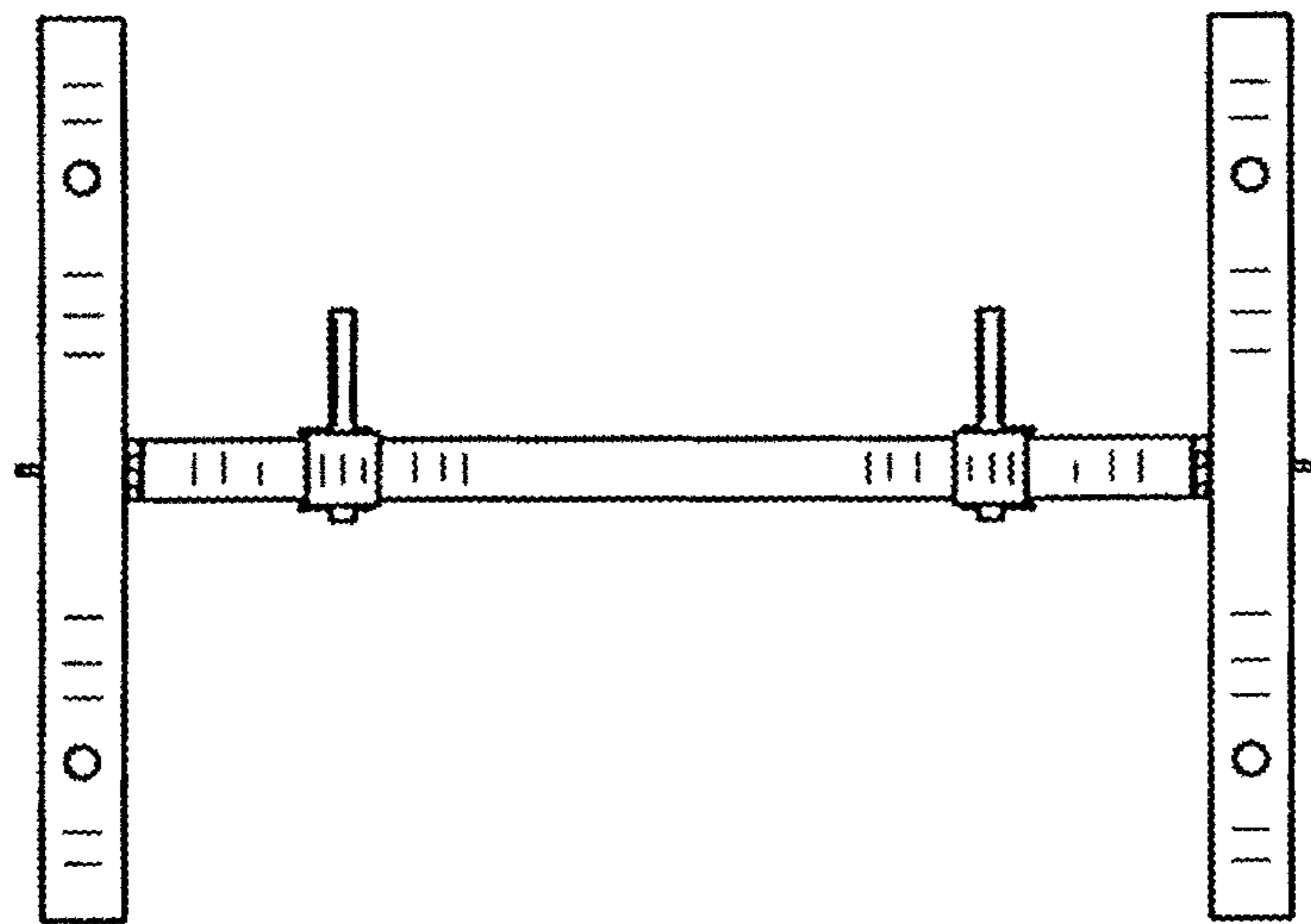


FIG. 7