



US00D775701S

(12) **United States Design Patent**
Hinshaw

(10) **Patent No.:** **US D775,701 S**

(45) **Date of Patent:** **** Jan. 3, 2017**

(54) **MULTIPURPOSE GOLFER'S TOOL**

D502,242 S * 2/2005 Cameron D21/793
D708,286 S * 7/2014 Hinshaw D21/793

(71) Applicant: **Brian Hinshaw**, Tempe, AZ (US)

* cited by examiner

(72) Inventor: **Brian Hinshaw**, Tempe, AZ (US)

Primary Examiner — Mitchell Siegel

(**) Term: **15 Years**

(74) *Attorney, Agent, or Firm* — Plager Schack LLP

(21) Appl. No.: **29/540,156**

(57) **CLAIM**

(22) Filed: **Sep. 21, 2015**

The ornamental design for a multipurpose golfer's tool, as shown and described.

(51) **LOC (10) Cl.** **21-02**

DESCRIPTION

(52) **U.S. Cl.**
USPC **D21/793**

(58) **Field of Classification Search**
USPC D21/789, 793, 794, 796
CPC A63B 57/50; A63B 57/00; A63B 57/203
See application file for complete search history.

(56) **References Cited**

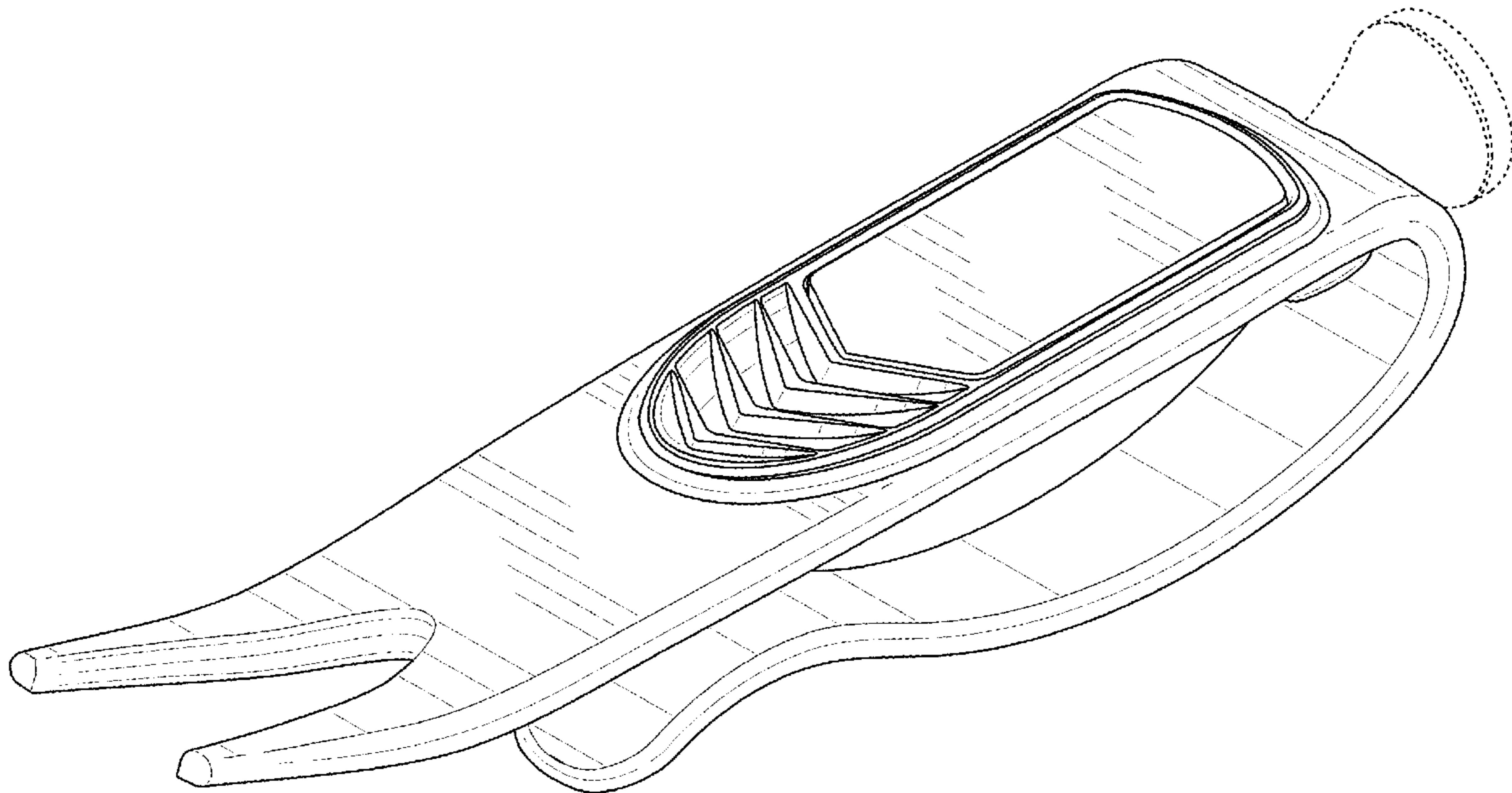
U.S. PATENT DOCUMENTS

4,151,937	A *	5/1979	Jarosh	A45C 11/00 206/315.1
4,960,239	A *	10/1990	Wait	A63B 57/50 224/918
D428,954	S *	8/2000	Tate	D21/793
D436,152	S *	1/2001	Sanford, III	D21/793
6,733,402	B2 *	5/2004	Christensen	A63B 57/50 473/408

FIG. 1 is a perspective of the multipurpose golfer's tool.
FIG. 2 is an overhead view of the multipurpose golfer's tool.
FIG. 3 is an underside view of the multipurpose golfer's tool.
FIG. 4 is a right side elevational view of the multipurpose golfer's tool.
FIG. 5 is a left side elevational view of the multipurpose golfer's tool.
FIG. 6 is a rear view of the multipurpose golfer's tool.
FIG. 7 is a front view of the multipurpose golfer's tool; and,
FIG. 8 is an exploded perspective view of the multipurpose golfer's tool.

The broken line showing of the golf tee is included for the purpose of illustrating and forms no part of the claimed design.

1 Claim, 8 Drawing Sheets



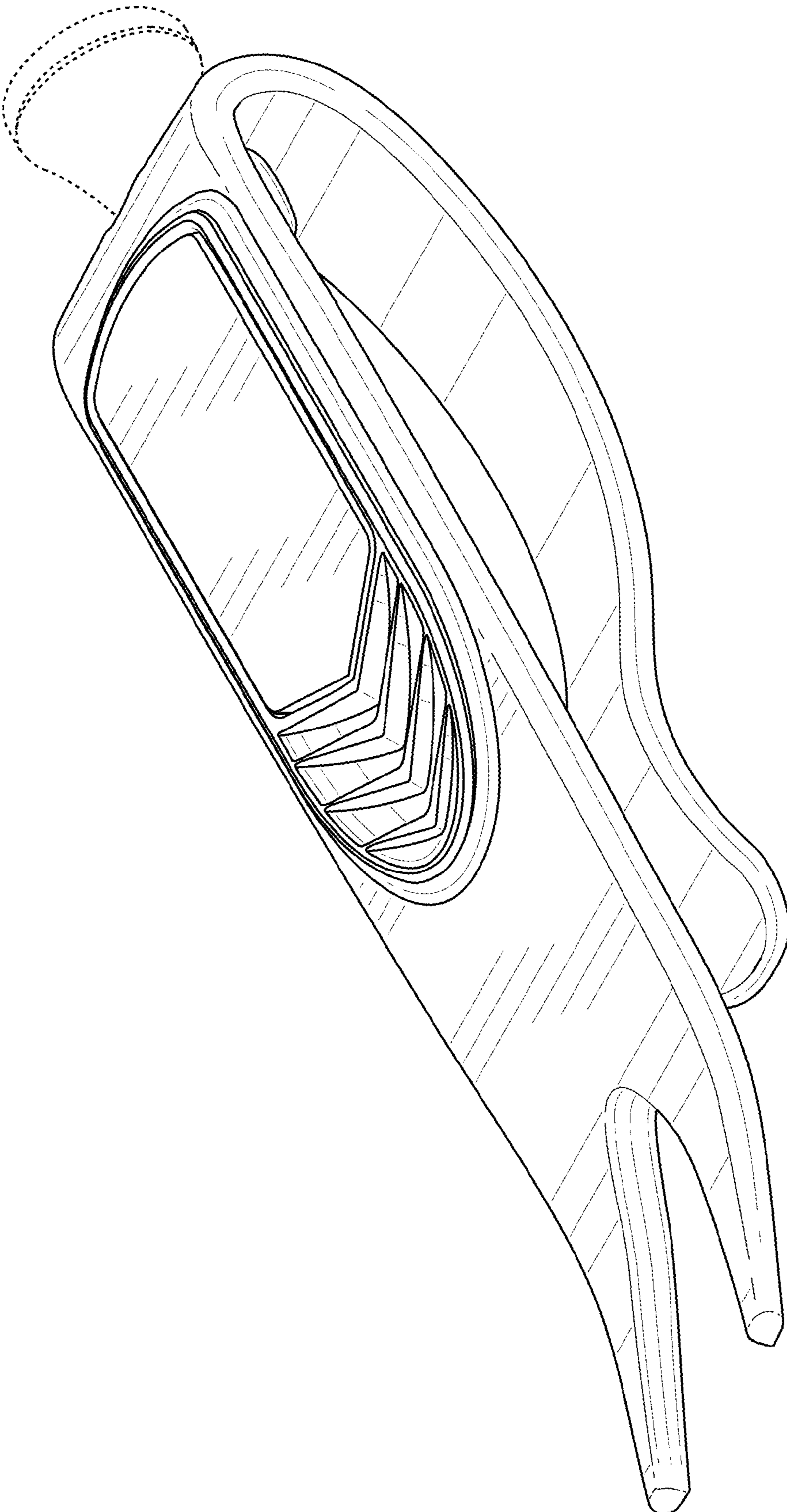


FIG. 1

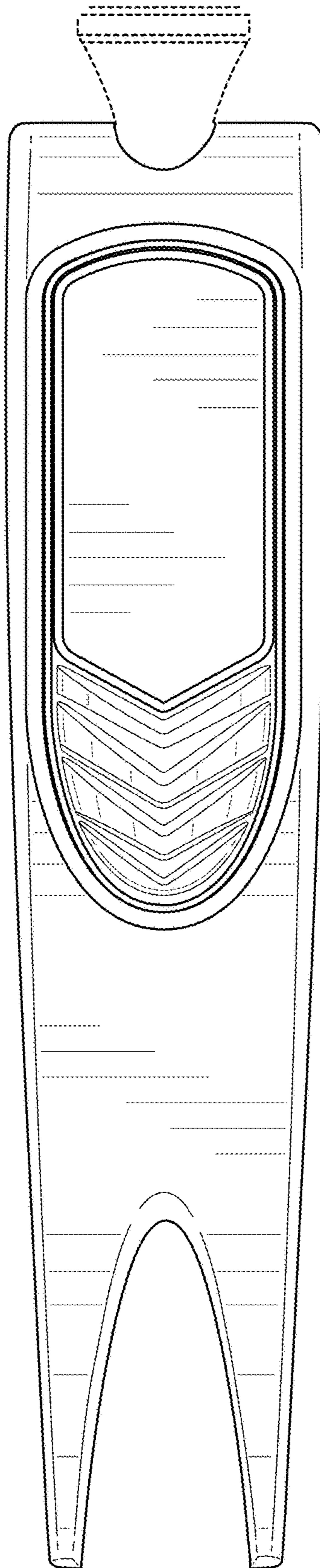


FIG. 2

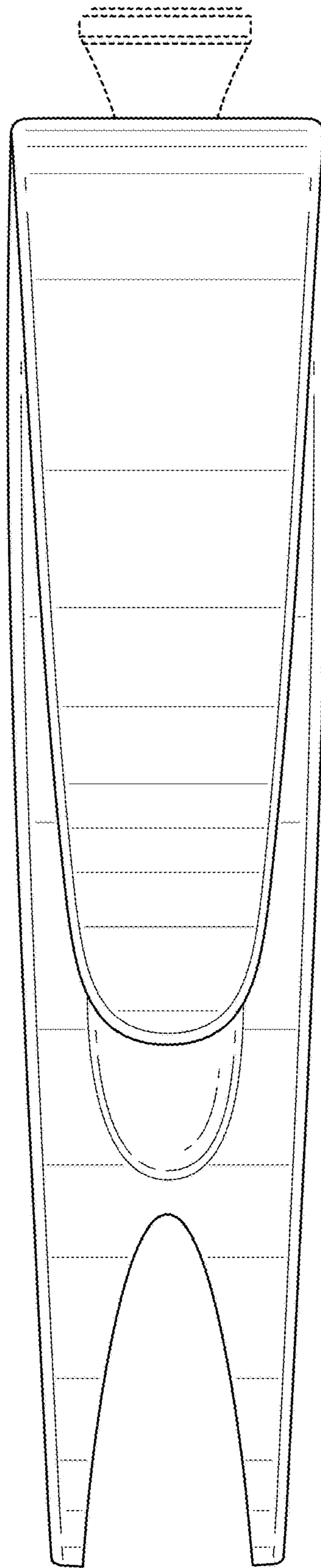


FIG. 3

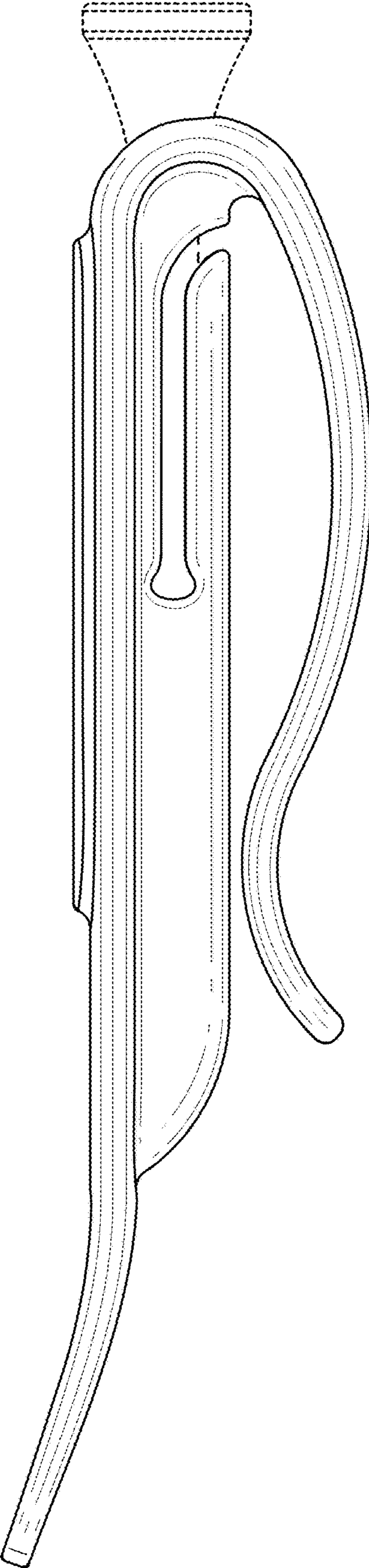


FIG. 4

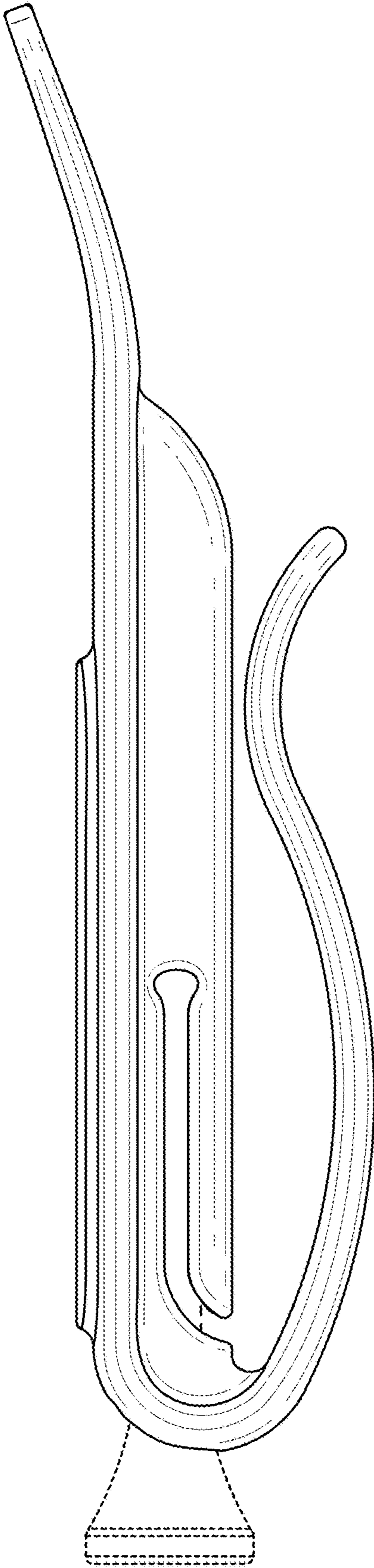


FIG. 5

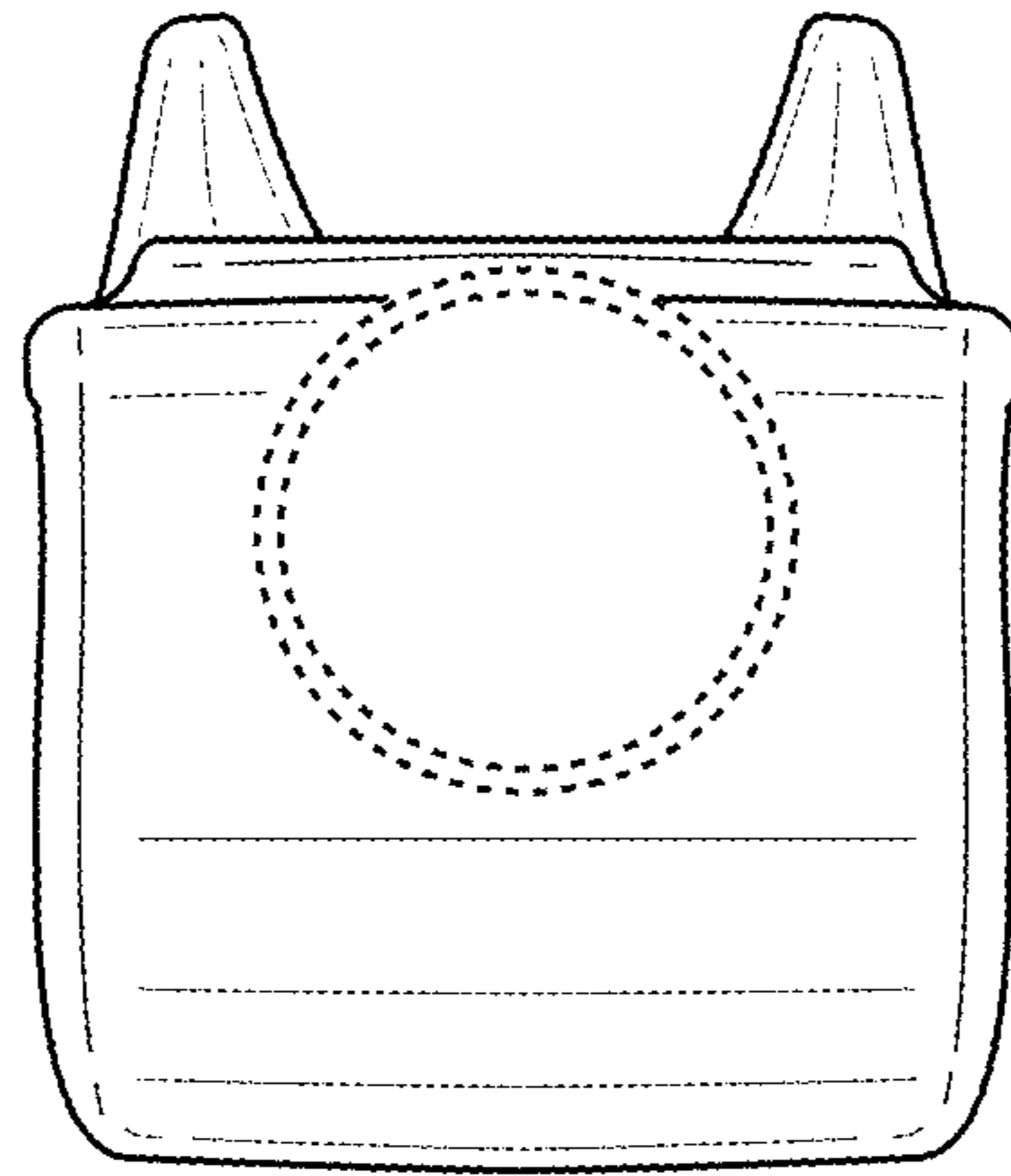


FIG. 6

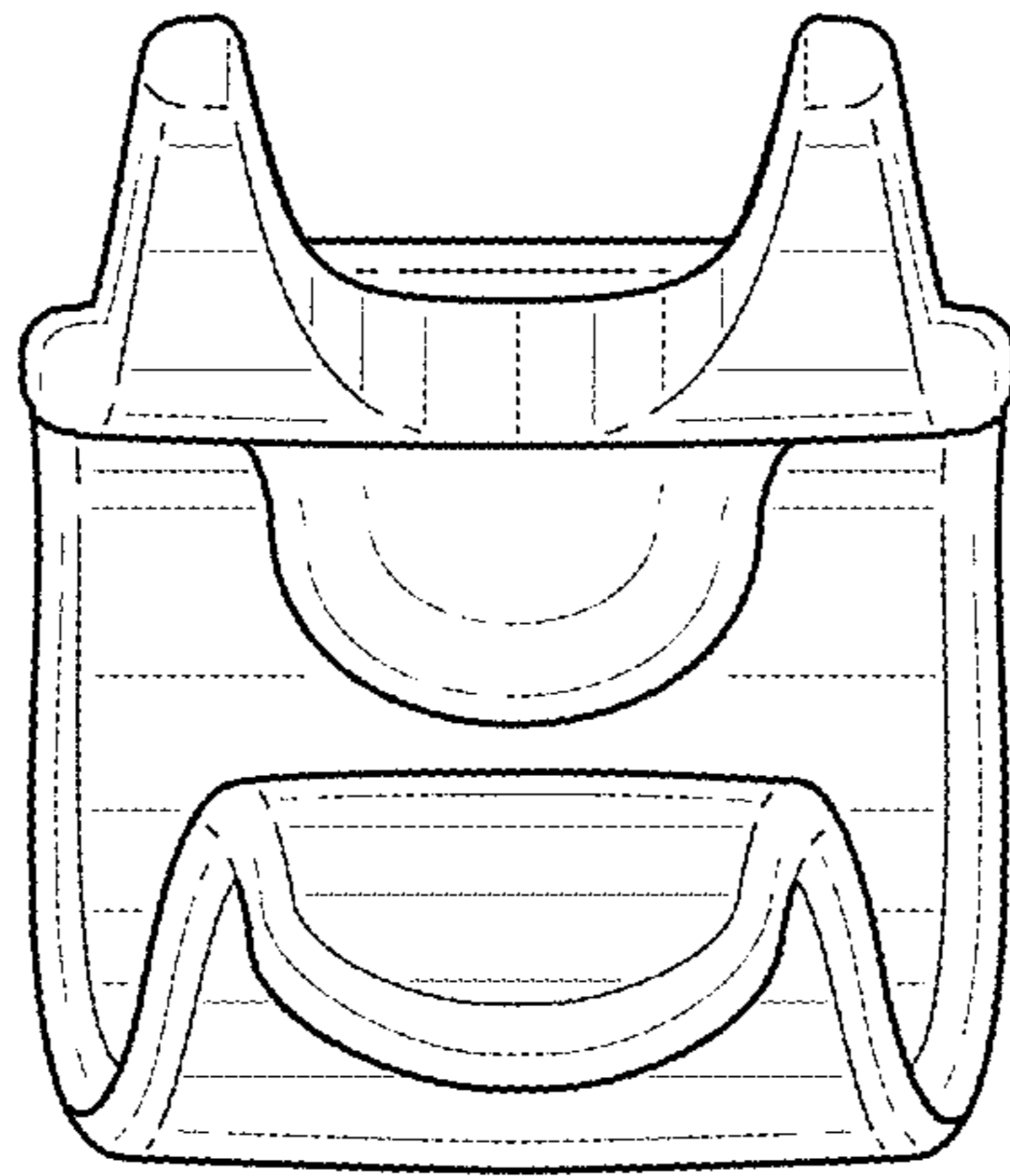


FIG. 7

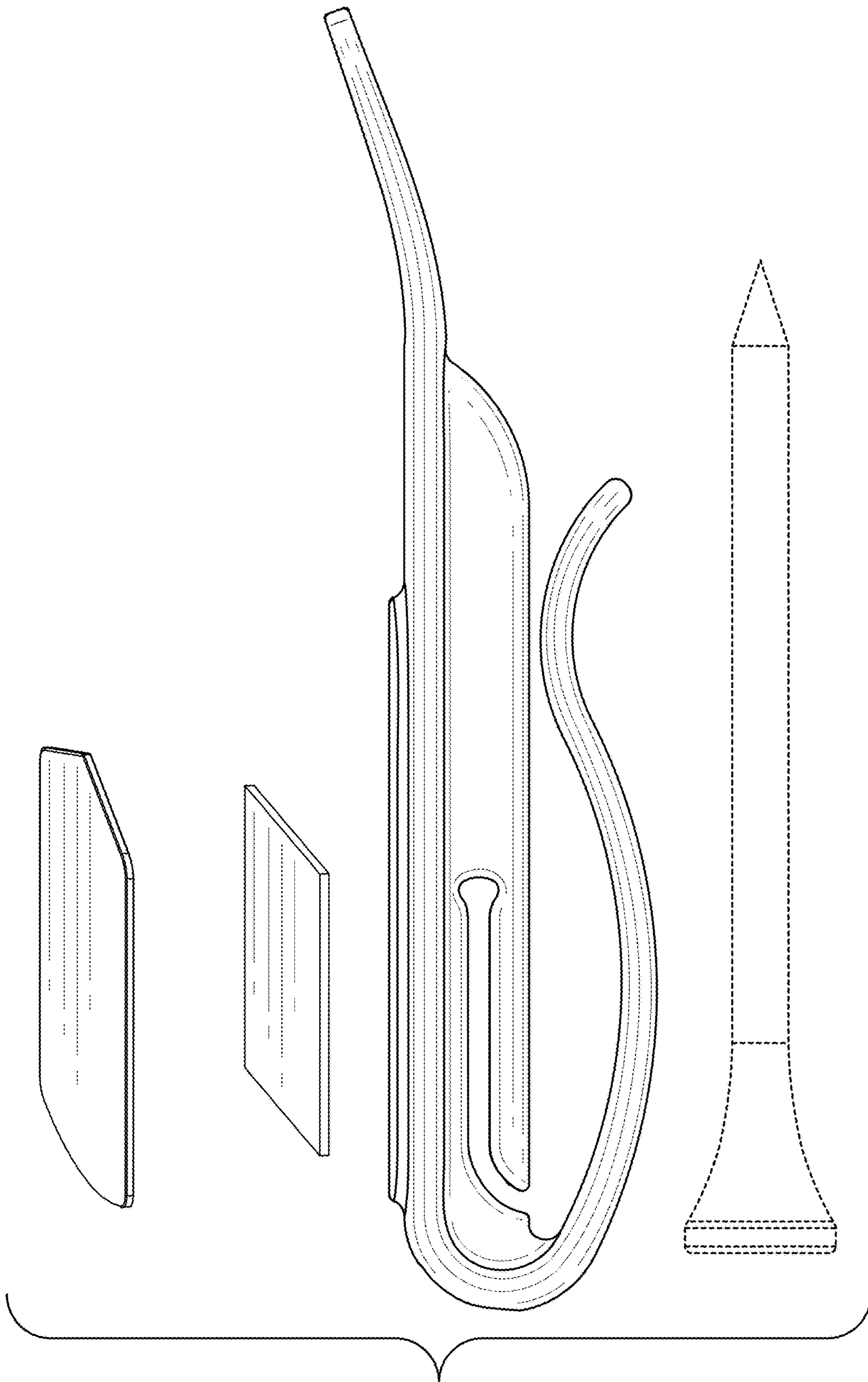


FIG. 8