



US00D775692S

(12) **United States Design Patent**
Tedeschi

(10) **Patent No.:** **US D775,692 S**
(45) **Date of Patent:** **** Jan. 3, 2017**

- (54) **COLLAPSIBLE TARGET TRAINER**
- (71) Applicant: **Michael Alfonso Tedeschi**, Sharpsburg, MD (US)
- (72) Inventor: **Michael Alfonso Tedeschi**, Sharpsburg, MD (US)
- (**) Term: **15 Years**
- (21) Appl. No.: **29/532,358**
- (22) Filed: **Jul. 6, 2015**
- (51) **LOC (10) Cl.** **21-01**
- (52) **U.S. Cl.**
USPC **D21/303**
- (58) **Field of Classification Search**
USPC D21/300, 302, 303, 318, 334; 273/317, 273/331, 336, 398, 400, 402, 407, 408, 273/410, 118 R, 123 R, 236, 348, 386, 273/287; 473/569, 578, 592
CPC A63B 63/00; A63B 67/00; A63B 71/00
See application file for complete search history.

6,761,357	B2 *	7/2004	Witt	F41J 1/10	273/407
6,889,982	B1 *	5/2005	Gove	A63B 63/00	273/343
7,549,433	B2 *	6/2009	Zheng	A63B 9/00	135/126
7,959,154	B2 *	6/2011	Ball	F41J 1/10	273/407
D716,875	S *	11/2014	Brossart	D21/302	
D721,404	S *	1/2015	Pagliari, III	D21/303	
8,991,063	B2 *	3/2015	Eckhart	F41J 3/0004	273/407
D729,320	S *	5/2015	Parker	D21/303	

* cited by examiner

Primary Examiner — Prabhakar Deshmukh

(57) **CLAIM**

The ornamental design for a collapsible target trainer, as shown and described.

DESCRIPTION

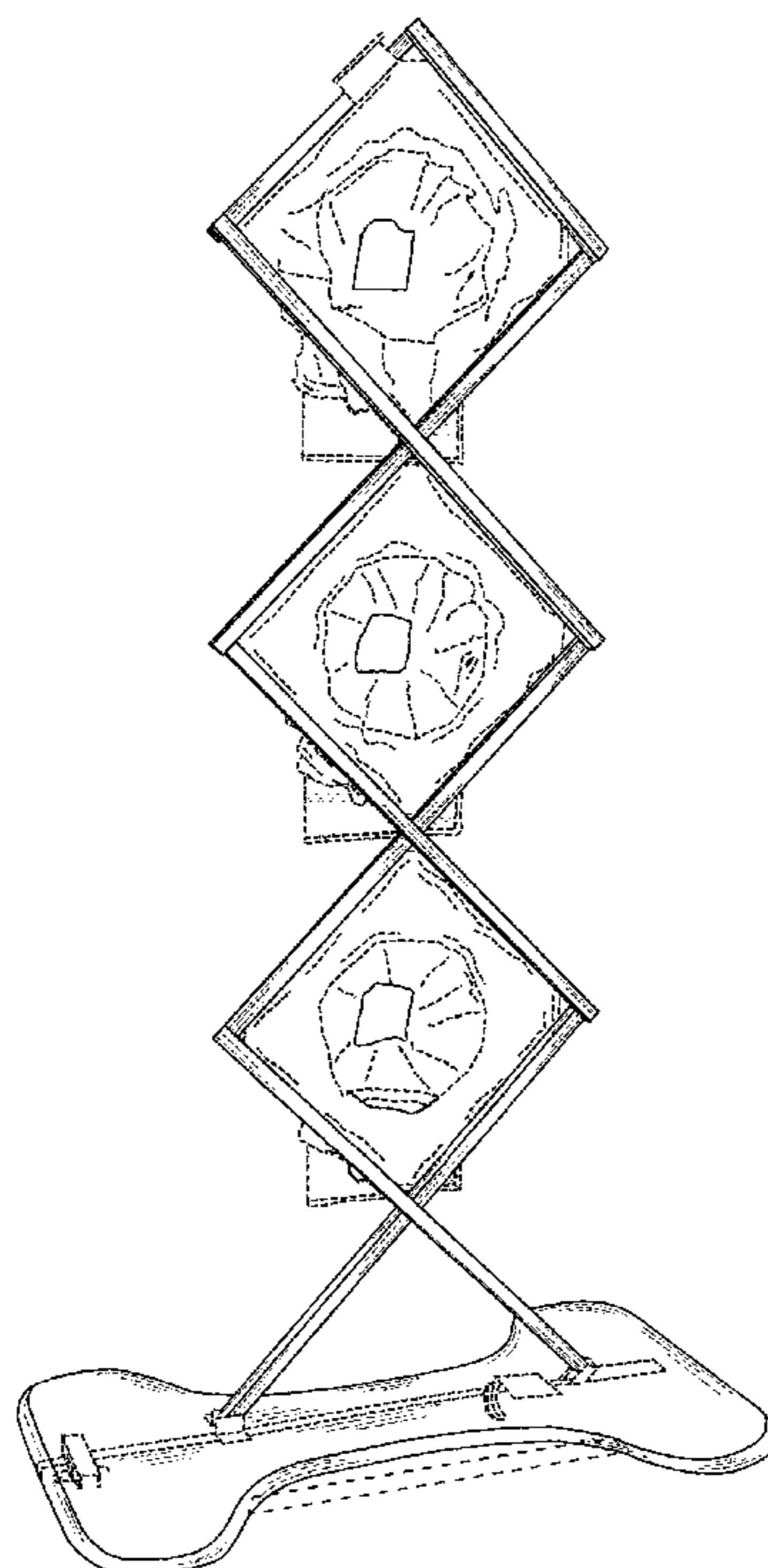
FIG. 1 is a front elevational view of a collapsible target trainer showing my new design thereof;
 FIG. 2 is a rear elevational view thereof;
 FIG. 3 is a left side elevational view thereof;
 FIG. 4 is a right side elevational view thereof;
 FIG. 5 is a top plan view thereof;
 FIG. 6 is a bottom plan view thereof;
 FIG. 7 is a perspective view thereof; and,
 FIG. 8 is a left side perspective view thereof.
 The broken line showing of a net and handle is included for the purpose of illustrating environmental structure and forms no part of the claimed design.

1 Claim, 8 Drawing Sheets

(56) **References Cited**

U.S. PATENT DOCUMENTS

2,722,420	A *	11/1955	Adamson	F41J 1/10	248/468
5,906,552	A *	5/1999	Padilla	A63B 69/0097	473/421
5,967,523	A *	10/1999	Brownlee	F41J 1/10	273/407
D438,910	S *	3/2001	Culberson	D21/303	
6,435,512	B1 *	8/2002	Beckwith, Sr.	F41J 1/10	273/403



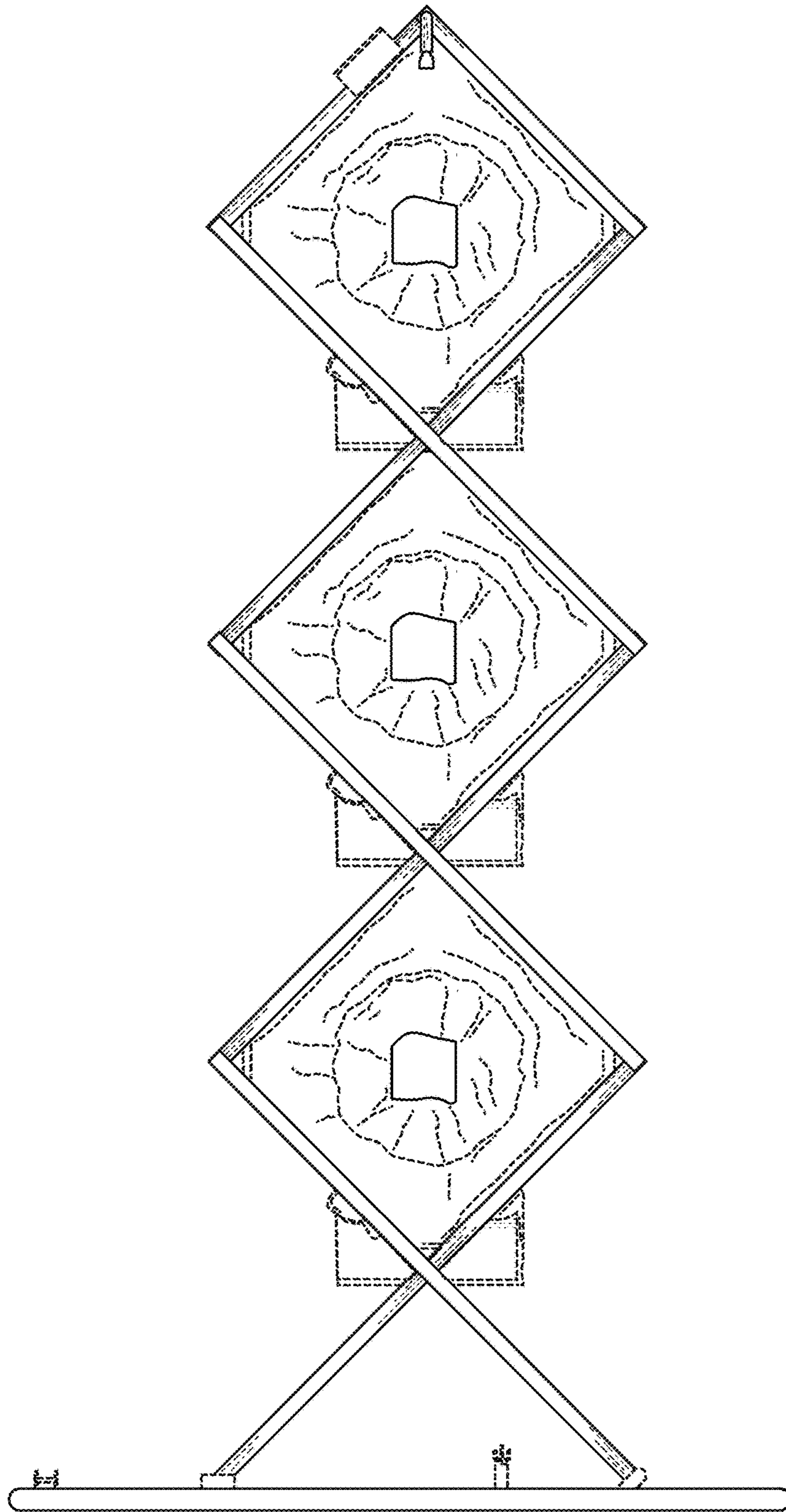


FIG 1

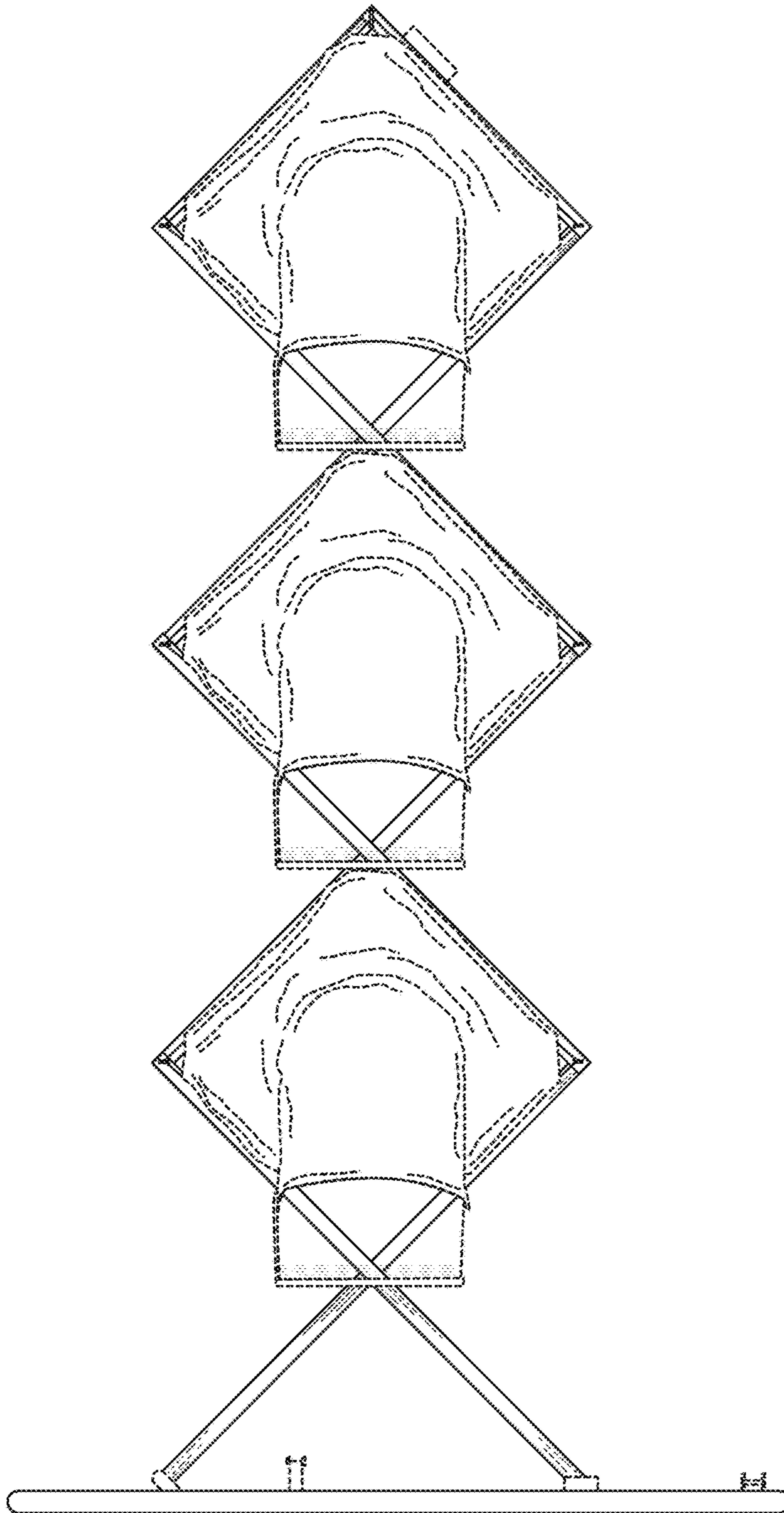


FIG 2

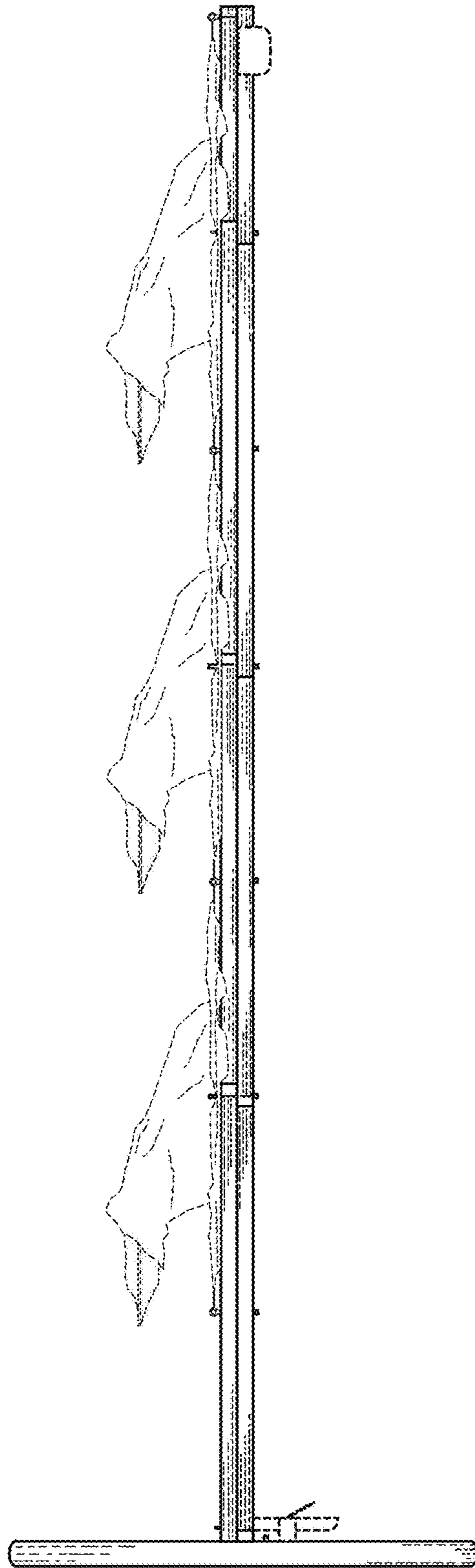


FIG 3

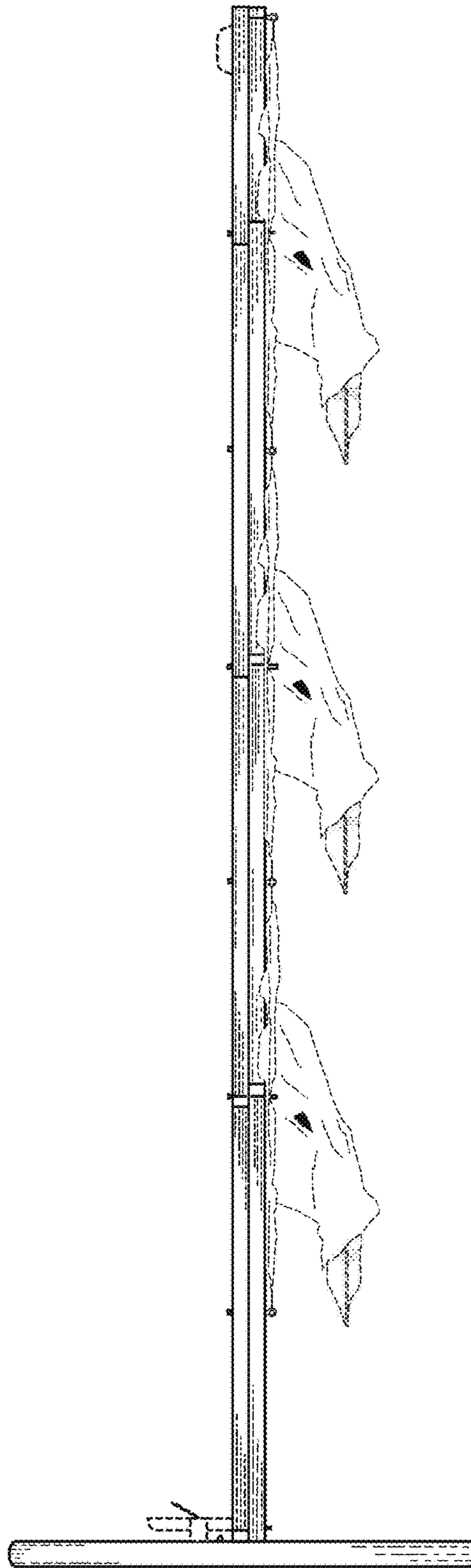


FIG 4

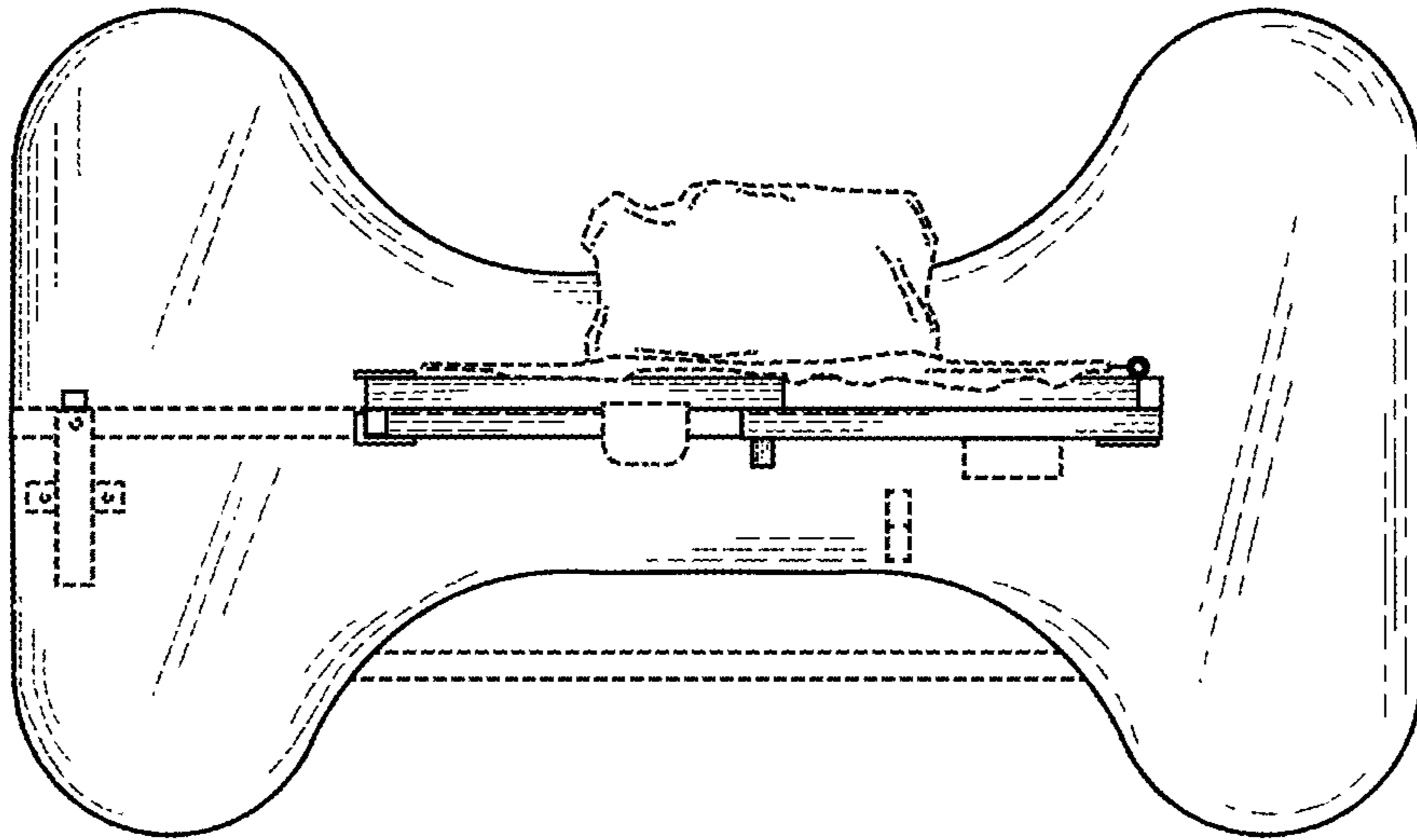


FIG 5

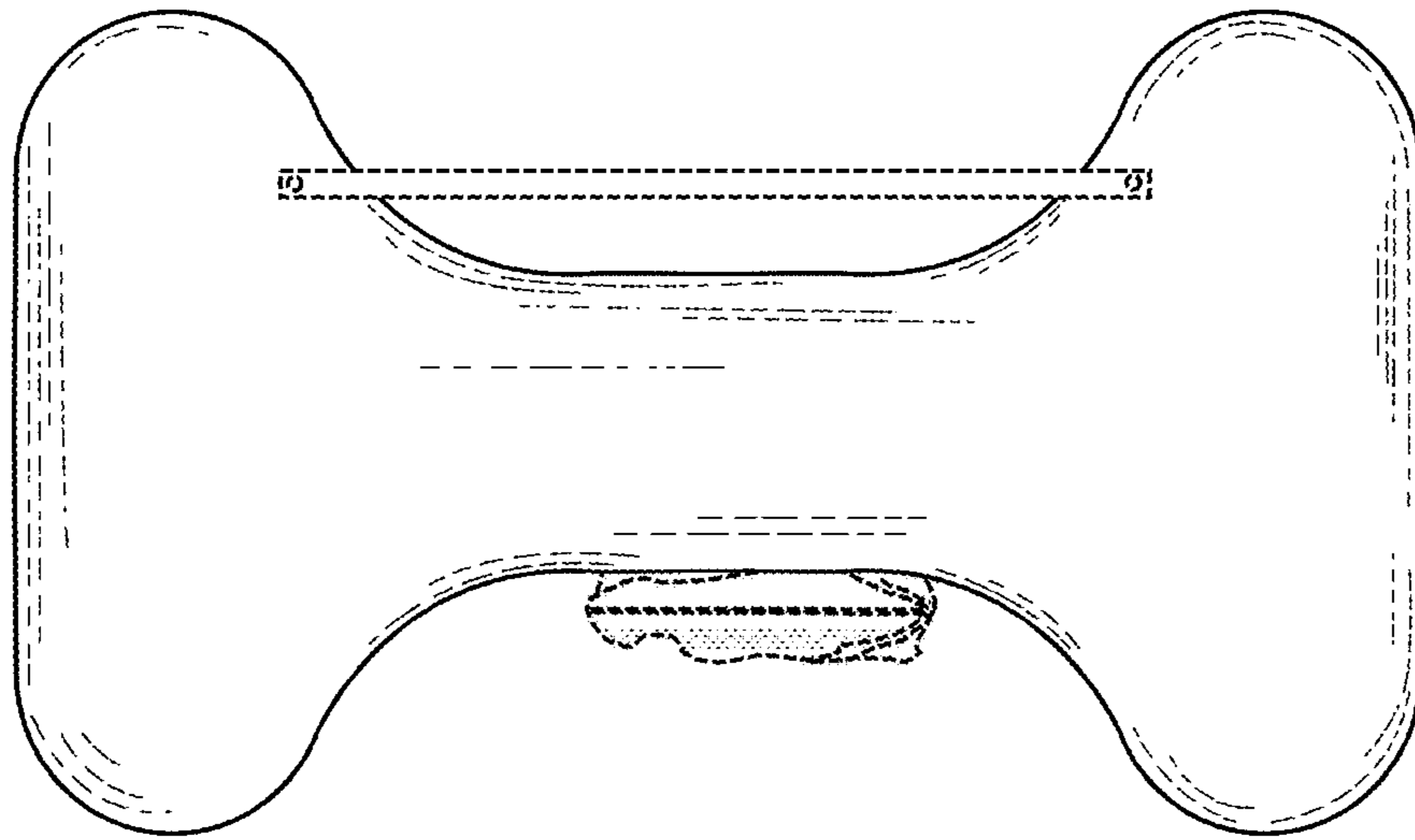


FIG 6

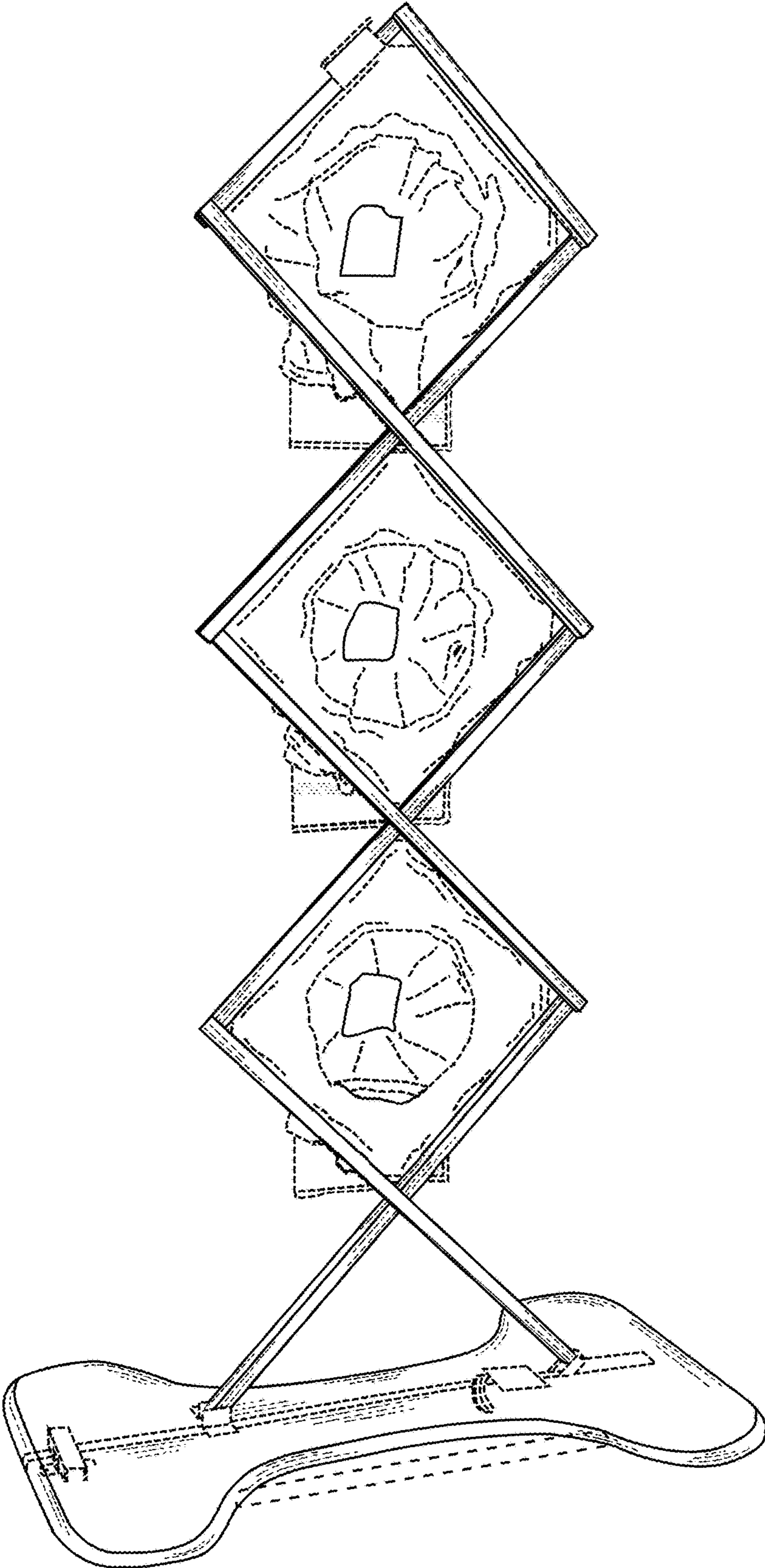


FIG 7

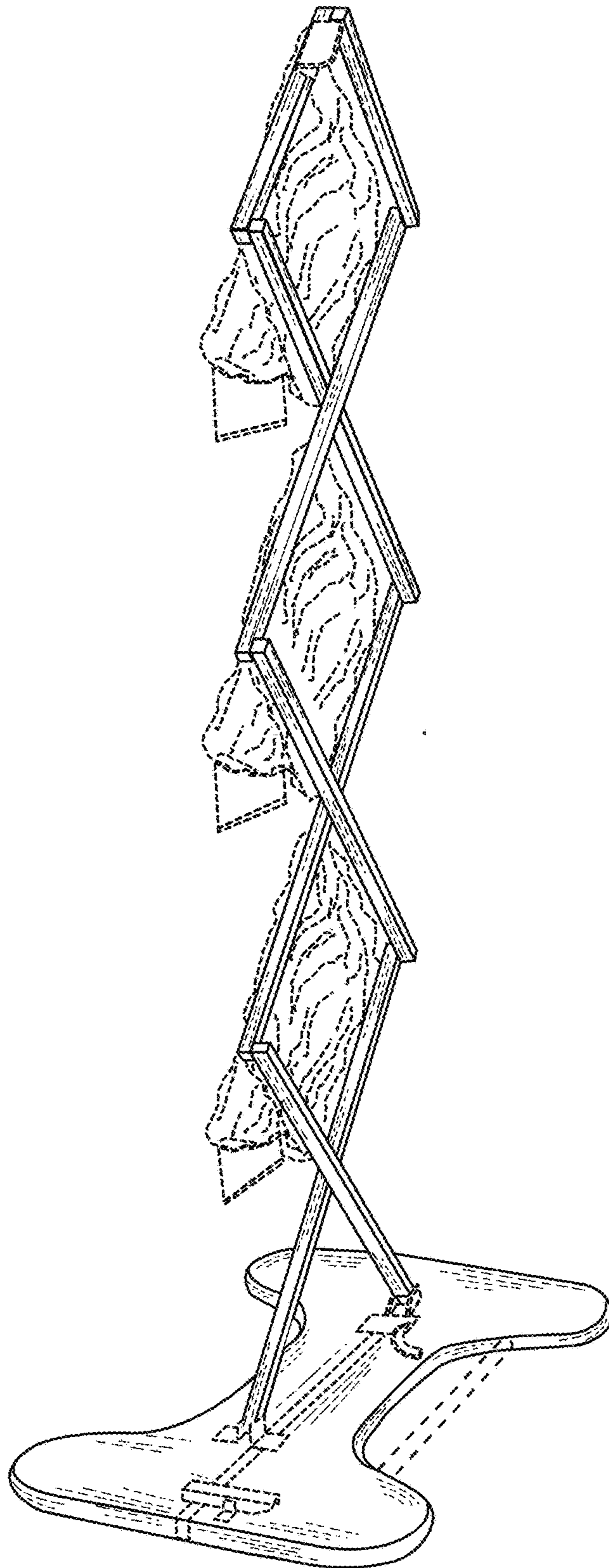


FIG 8