



US00D775689S

(12) **United States Design Patent** (10) **Patent No.:** **US D775,689 S**
Lau (45) **Date of Patent:** **** Jan. 3, 2017**

(54) **CLIP**
 (71) Applicant: **Janet K. Lau**, Union City, CA (US)
 (72) Inventor: **Janet K. Lau**, Union City, CA (US)
 (**) Term: **15 Years**
 (21) Appl. No.: **29/528,148**
 (22) Filed: **May 26, 2015**

Related U.S. Application Data

(62) Division of application No. 29/490,107, filed on May 6, 2014, now Pat. No. Des. 730,443.
 (51) **LOC (10) Cl.** **19-02**
 (52) **U.S. Cl.**
 USPC **D19/65**
 (58) **Field of Classification Search**
 USPC D3/211; D8/356, 382, 395; D11/104,
 D11/204, 205, 211, 217, 218, 219;
 D19/65, 86, D19/99, 100; D20/31, 43;
 D21/578, 617
 CPC B42F 1/02; B42F 1/04; B42F 1/06;
 B42F 1/08; B42F 1/10; Y10T 24/44983;
 B42D 9/00; B42D 9/005
 See application file for complete search history.

(56) **References Cited**

U.S. PATENT DOCUMENTS

763,303 A * 6/1904 Mayers B42F 1/04
 24/547
 D137,731 S * 4/1944 Kirkland D11/215
 D168,191 S * 11/1952 Saksa D19/34
 2,717,572 A * 9/1955 Kingman B42D 9/005
 116/236
 3,057,028 A * 10/1962 Kurt B42F 1/10
 24/545

3,673,641 A 7/1972 Lorber
 D241,342 S 9/1976 Carroll
 D263,243 S * 3/1982 Creamer D19/34
 D268,848 S 5/1983 Lorber
 D293,337 S * 12/1987 Burgdorf D19/34
 4,790,104 A * 12/1988 Dorsey A01K 91/18
 24/129 B
 D303,272 S * 9/1989 Lorber D19/65
 D305,036 S 12/1989 Voetsch
 4,914,791 A 4/1990 Lorber
 D309,473 S 7/1990 Toy
 D314,012 S * 1/1991 Klodt D19/65
 D344,545 S 2/1994 Tsai
 D353,839 S * 12/1994 Mullen D19/65
 D356,116 S 3/1995 Lorber
 6,254,136 B1 * 7/2001 Patel B42D 9/00
 116/234
 D452,881 S * 1/2002 Chien D19/34
 6,449,807 B1 * 9/2002 Langkammerer A45F 5/04
 24/67.9
 D465,525 S 11/2002 Dilday
 D468,357 S 1/2003 Rosen
 D479,558 S 9/2003 Lorber
 6,973,700 B2 12/2005 Hsiao
 (Continued)

Primary Examiner — Elizabeth Albert
 (74) *Attorney, Agent, or Firm* — Aka Chan LLP

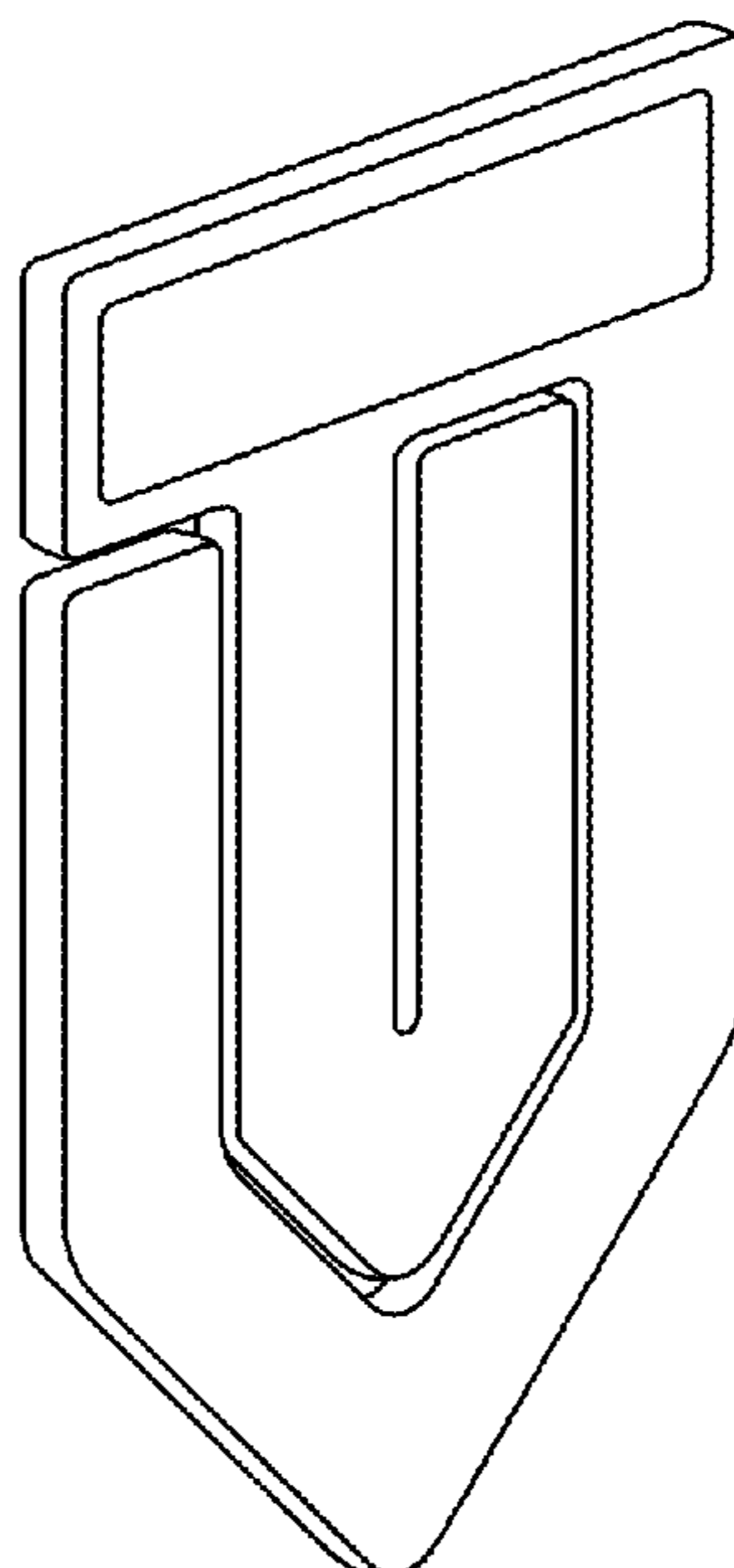
(57) **CLAIM**

The ornamental design for a clip, as shown and described.

DESCRIPTION

FIG. 1 shows a perspective view of a design of a clip.
 FIG. 2 shows a front view of the clip.
 FIG. 3 shows a back view of the clip.
 FIG. 4 shows a top view of the clip.
 FIG. 5 shows a left-side view of the clip.
 FIG. 6 shows a right-side view of the clip; and,
 FIG. 7 shows a bottom view of the clip.

1 Claim, 1 Drawing Sheet



(56)

References Cited

U.S. PATENT DOCUMENTS

7,100,884 B2 *	9/2006	Lorber	A47B 21/045 24/67.11
D548,793 S	8/2007	Oas	
D551,297 S	9/2007	Gram	
D730,442 S *	5/2015	Billon	D19/65
2003/0101545 A1	6/2003	Hsiao	
2004/0045137 A1	3/2004	Hsiao	

* cited by examiner

FIG. 1

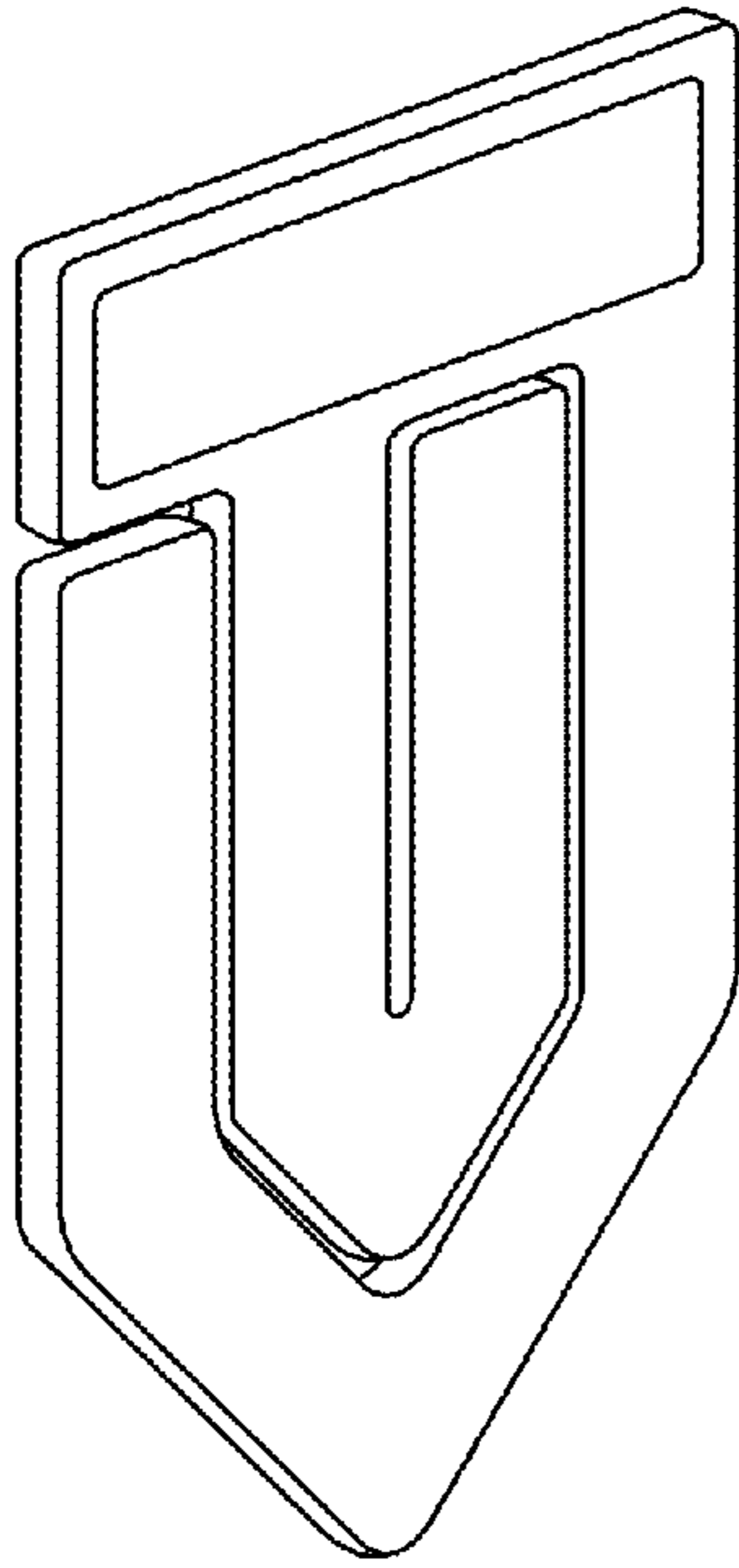


FIG. 2

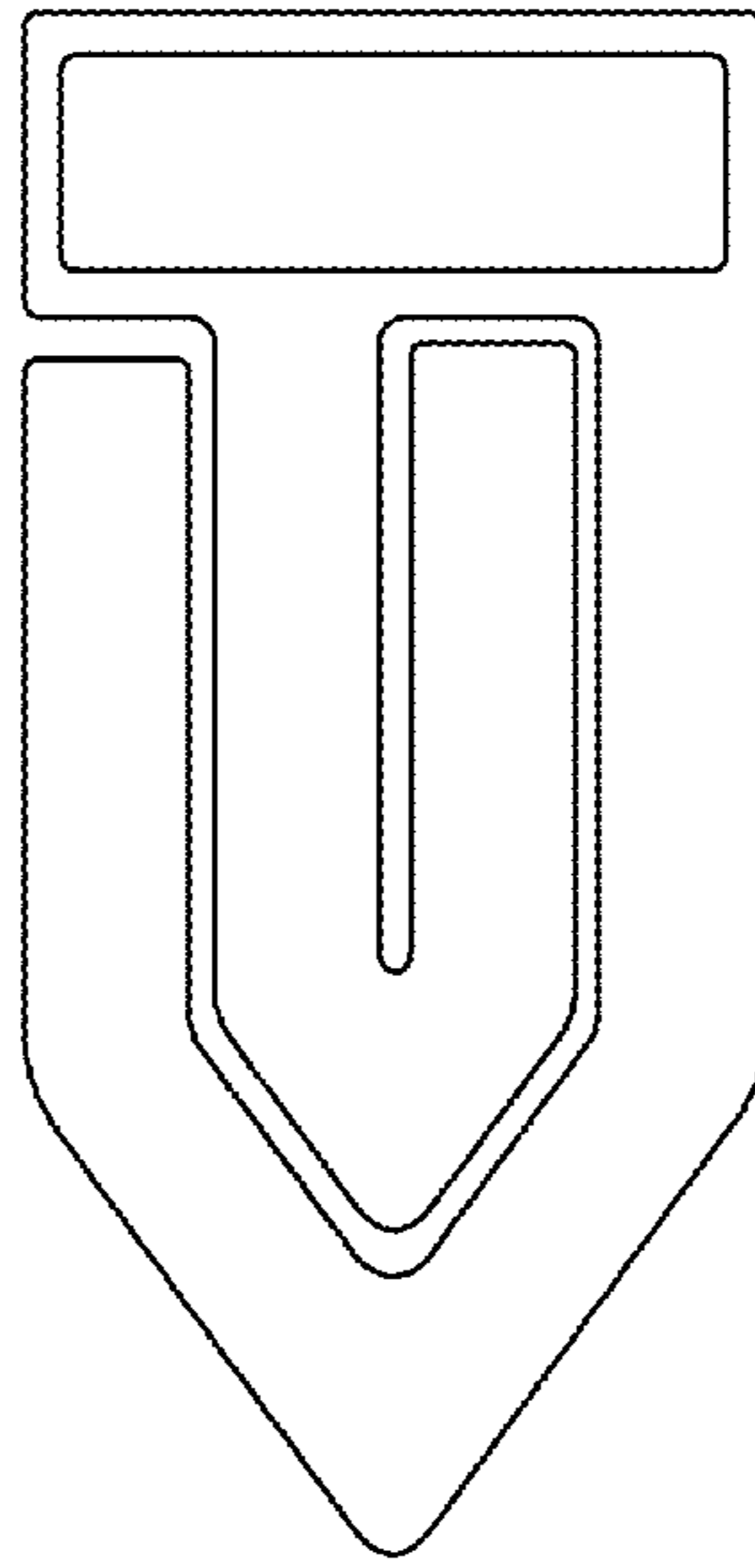


FIG. 3

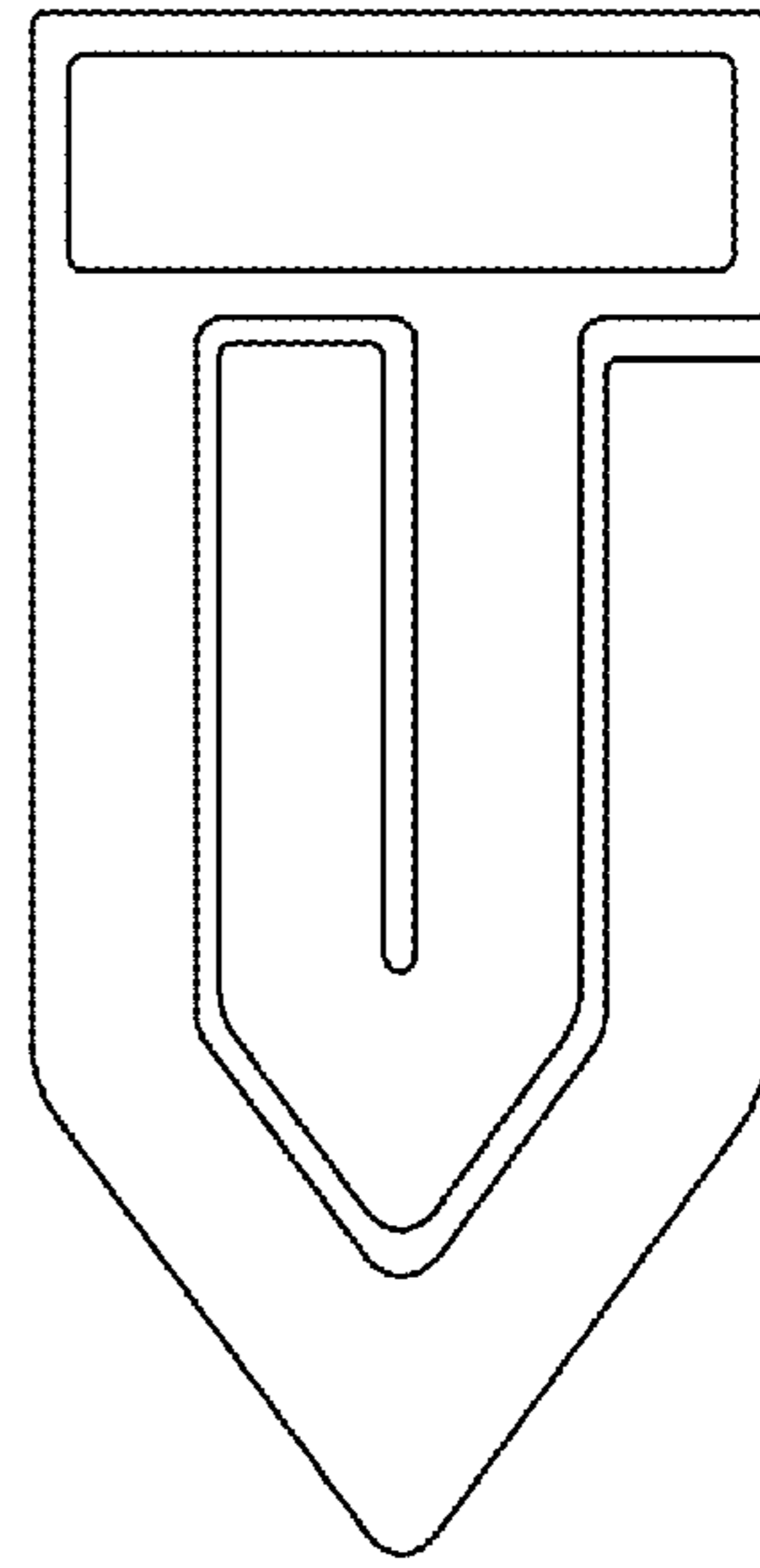


FIG. 5

FIG. 6

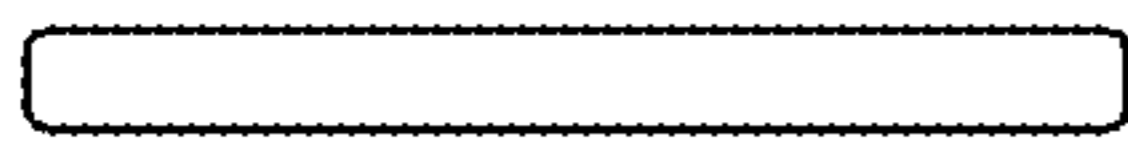


FIG. 4

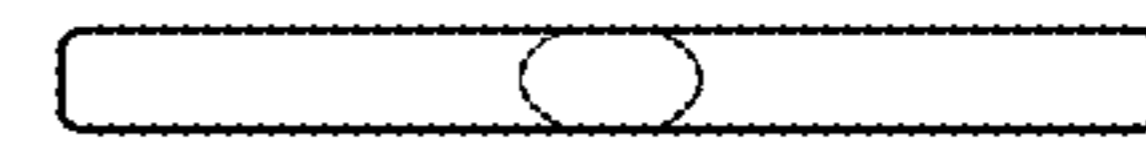
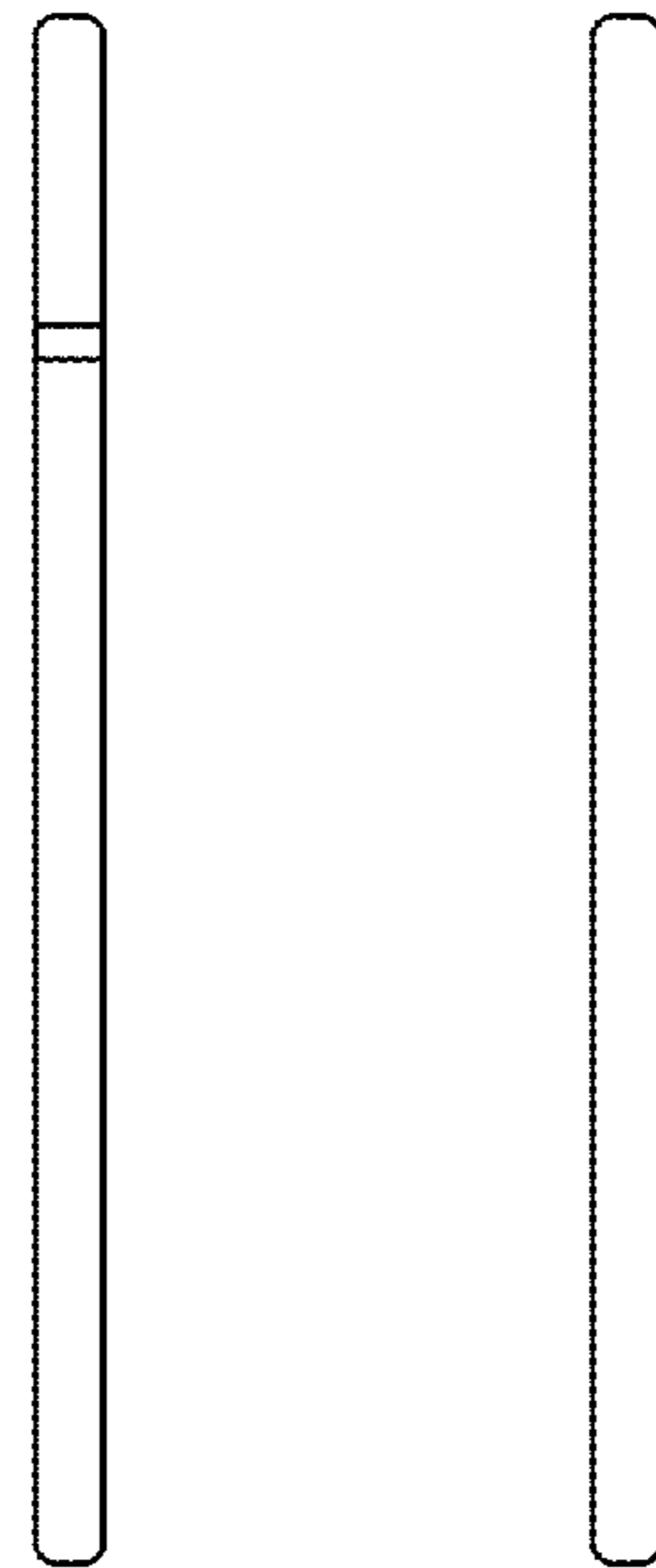


FIG. 7