



US00D775683S

(12) **United States Design Patent** (10) **Patent No.:** **US D775,683 S**  
**Shipard** (45) **Date of Patent:** **\*\* Jan. 3, 2017**

(54) **CONNECTOR PIN**  
(71) Applicant: **Leica Camera AG**, Wetzlar (DE)  
(72) Inventor: **Mark Shipard**, Munich (DE)  
(73) Assignee: **Leica Camera AG**, Wetzlar (DE)  
(\*\*) Term: **14 Years**

D553,657 S \* 10/2007 Bai ..... D16/200  
D601,567 S \* 10/2009 Lau ..... D13/154  
D604,252 S \* 11/2009 Yudate ..... D13/154  
D629,025 S \* 12/2010 Greenleaf ..... D15/128  
D633,477 S \* 3/2011 Lorenzo ..... D11/200  
D656,534 S \* 3/2012 Geller ..... D16/242  
D674,345 S \* 1/2013 Izen ..... D13/133  
D685,327 S \* 7/2013 Rayner ..... D13/133  
(Continued)

(21) Appl. No.: **29/504,147**  
(22) Filed: **Oct. 2, 2014**  
(30) **Foreign Application Priority Data**

Apr. 8, 2014 (EM) ..... 002442905

(51) **LOC (10) Cl.** ..... **16-05**  
(52) **U.S. Cl.**  
USPC ..... **D16/242**; D16/219; D13/133  
(58) **Field of Classification Search**  
USPC ..... D13/110, 118, 123, 133, 148, 154, 173,  
D13/184, 199; D16/200, 219, 237-239,  
D16/242, 243  
CPC ..... H01R 4/489; H01R 24/00; H01R 29/00;  
H01R 24/04; G02B 6/38; G03B  
17/56; A45F 3/14; A45F 5/00  
See application file for complete search history.

(56) **References Cited**  
U.S. PATENT DOCUMENTS

3,741,092 A \* 6/1973 Bohanec ..... A45C 11/38  
224/257  
D244,611 S \* 6/1977 Gietzen ..... D13/133  
D313,790 S \* 1/1991 Hirabayashi ..... D13/133  
D324,034 S \* 2/1992 Williams ..... D13/156  
6,126,465 A \* 10/2000 Franks, Jr. .... H01R 24/58  
439/218  
D481,678 S \* 11/2003 Griffin ..... D13/133  
D495,351 S \* 8/2004 Yi ..... D16/202  
D550,743 S \* 9/2007 Bai ..... D16/200

**OTHER PUBLICATIONS**

DP Review: Leica T Review, dated Apr. 24, 2014, [online], [site visited Apr. 11, 2016]. Available from Internet, <URL: http://www.dpreview.com/reviews/leica-t-tyr701/4>.\*

(Continued)

*Primary Examiner* — Thomas Johannes  
*Assistant Examiner* — Shawn T Gingrich  
(74) *Attorney, Agent, or Firm* — Crowell & Moring LLP

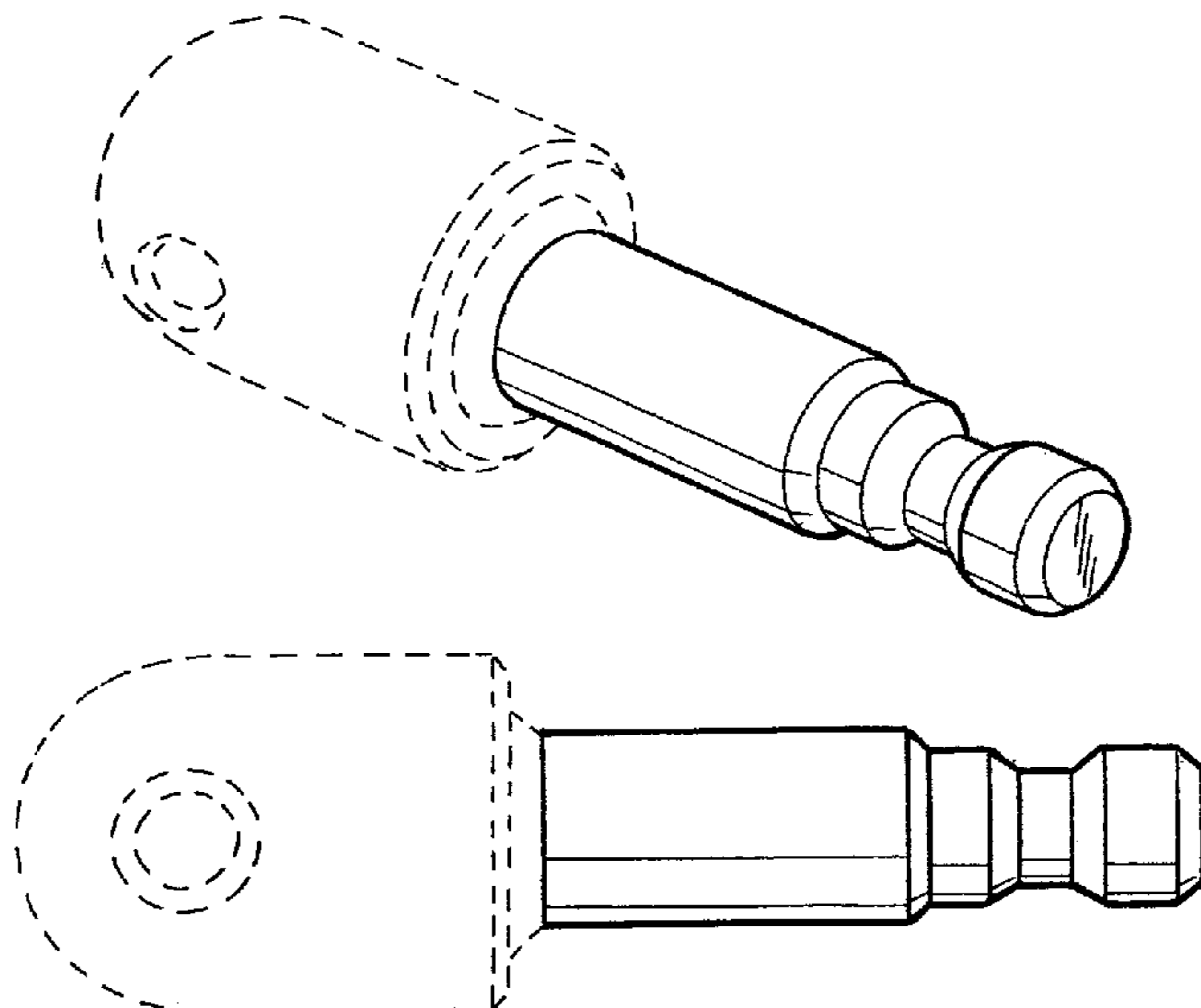
(57) **CLAIM**

The ornamental design for a connector pin, as shown and described.

**DESCRIPTION**

FIG. 1 is a front perspective view of a connector pin according to the design, the perspective view from the opposite side being mirror symmetrical;  
FIG. 2 is a rear perspective view thereof, the rear perspective view from the opposite side being mirror symmetrical;  
FIG. 3 is a side view thereof, the opposite side view being mirror symmetrical;  
FIG. 4 is a top view thereof, the bottom view being identical;  
FIG. 5 is a front view thereof; and,  
FIG. 6 is a rear view thereof.  
The broken line portion of the figure drawings is included to show portions of the article that forms no part of the claimed design.

**1 Claim, 2 Drawing Sheets**



(56)

**References Cited**

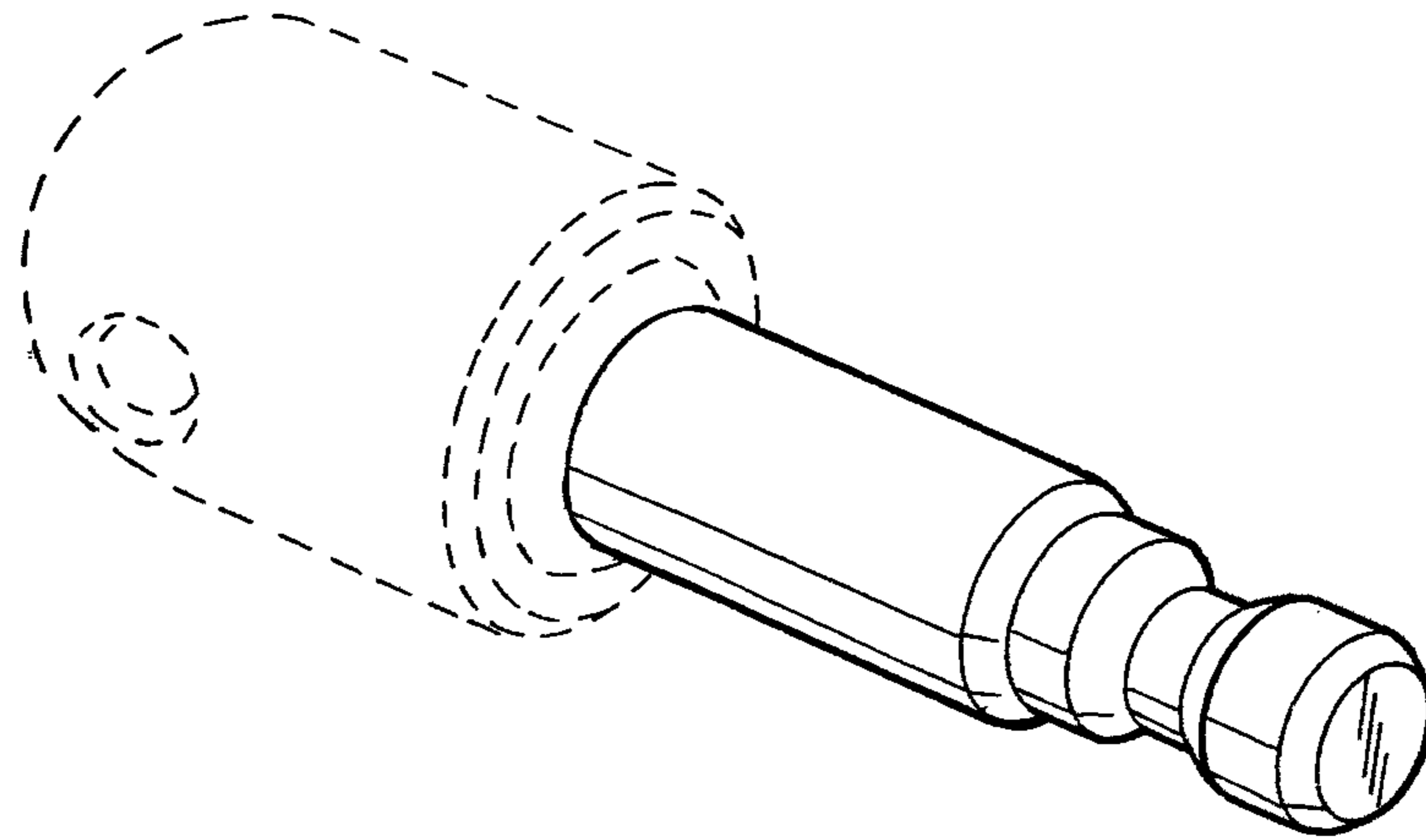
U.S. PATENT DOCUMENTS

D702,187 S \* 4/2014 Caballero ..... D13/133  
D711,332 S \* 8/2014 Krishnan ..... D13/199  
D730,833 S \* 6/2015 Lewis, Jr. .... D13/133  
D741,729 S \* 10/2015 Lantzscht ..... D10/57  
2010/0112871 A1\* 5/2010 Yin ..... H01R 13/502  
439/669  
2013/0299540 A1\* 11/2013 Avganim ..... A45C 13/18  
224/600  
2015/0055917 A1\* 2/2015 Liu ..... G02B 6/3816  
385/94  
2015/0098201 A1\* 4/2015 Naito ..... H01R 13/56  
361/753  
2015/0288114 A1\* 10/2015 Tong ..... H01R 24/58  
439/171

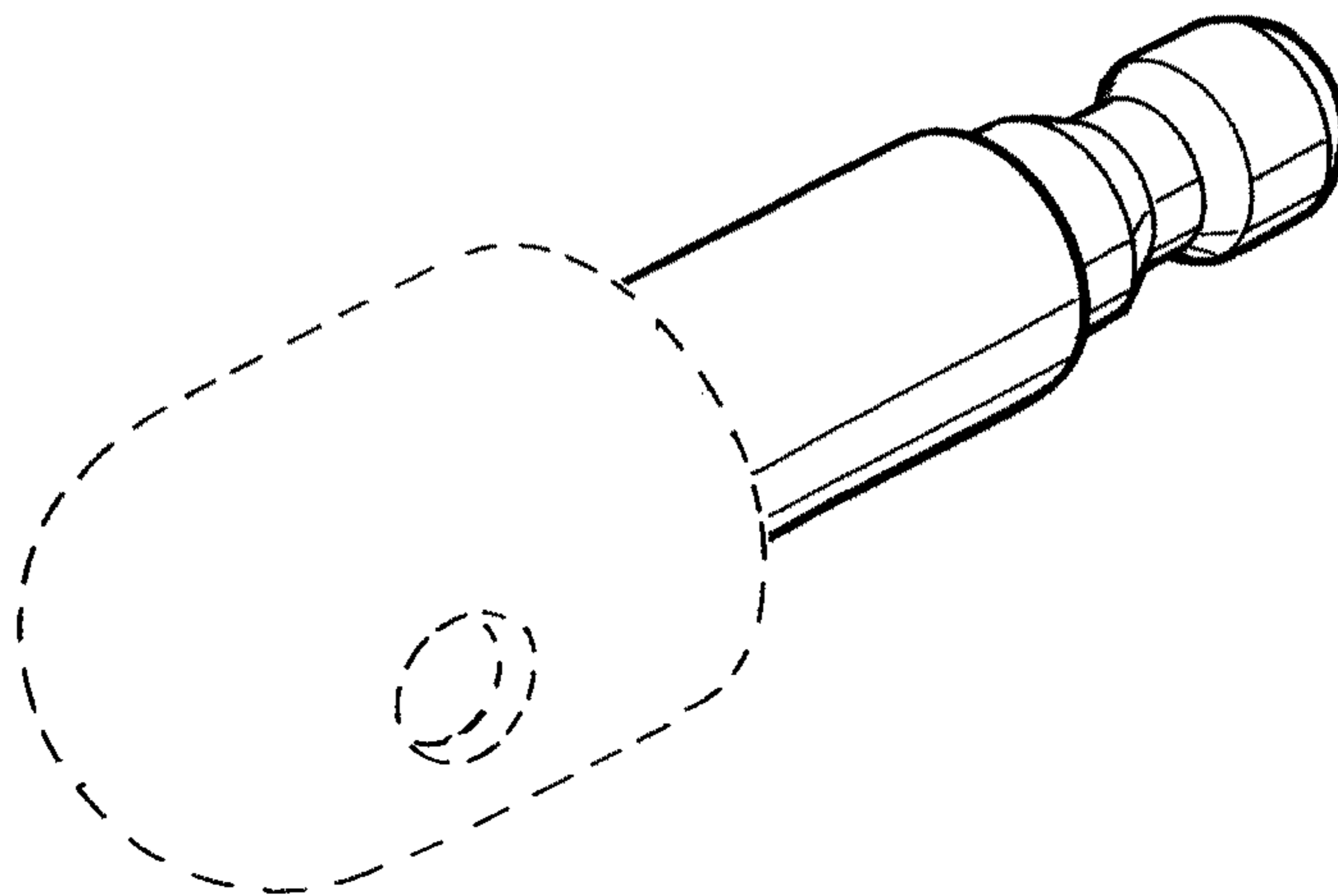
OTHER PUBLICATIONS

Match Technical T-Strap Lug Kit, dated Oct. 16, 2014, [online], [site visited Apr. 11, 2016]. Available from Internet, <URL: <http://leicastoremiami.com/products/match-technical-t-strap-lug-kit>>.\*

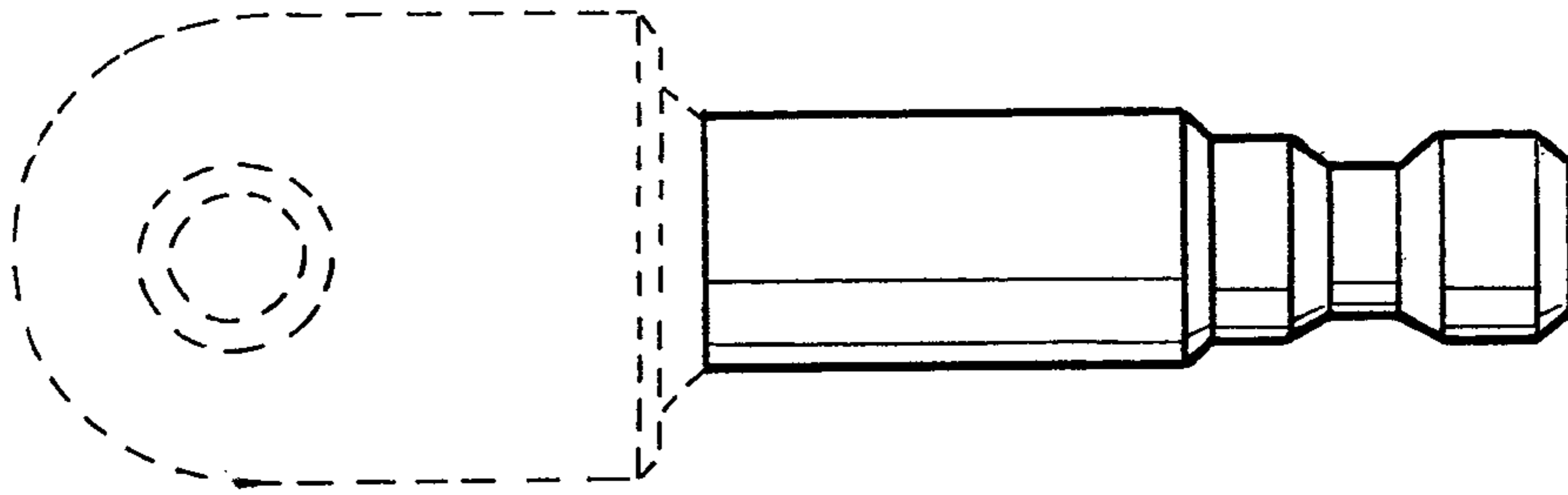
\* cited by examiner



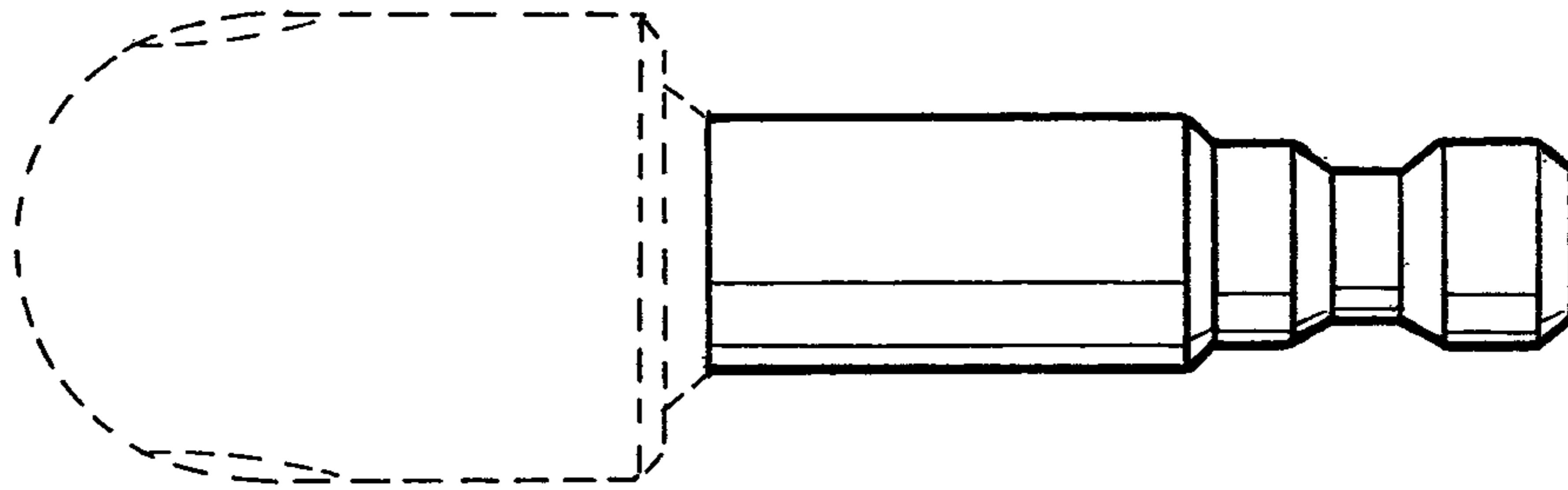
**FIG. 1**



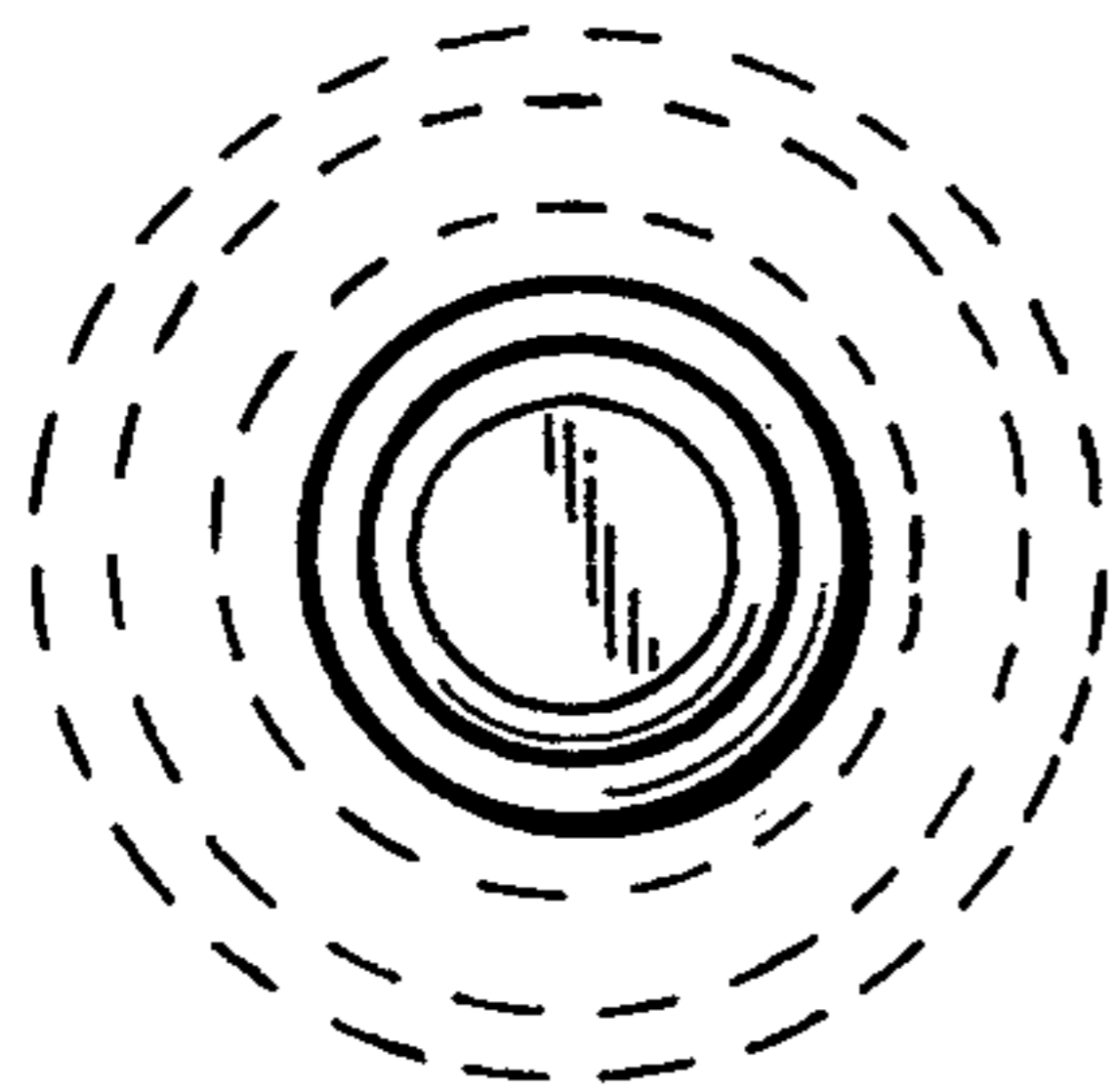
**FIG. 2**



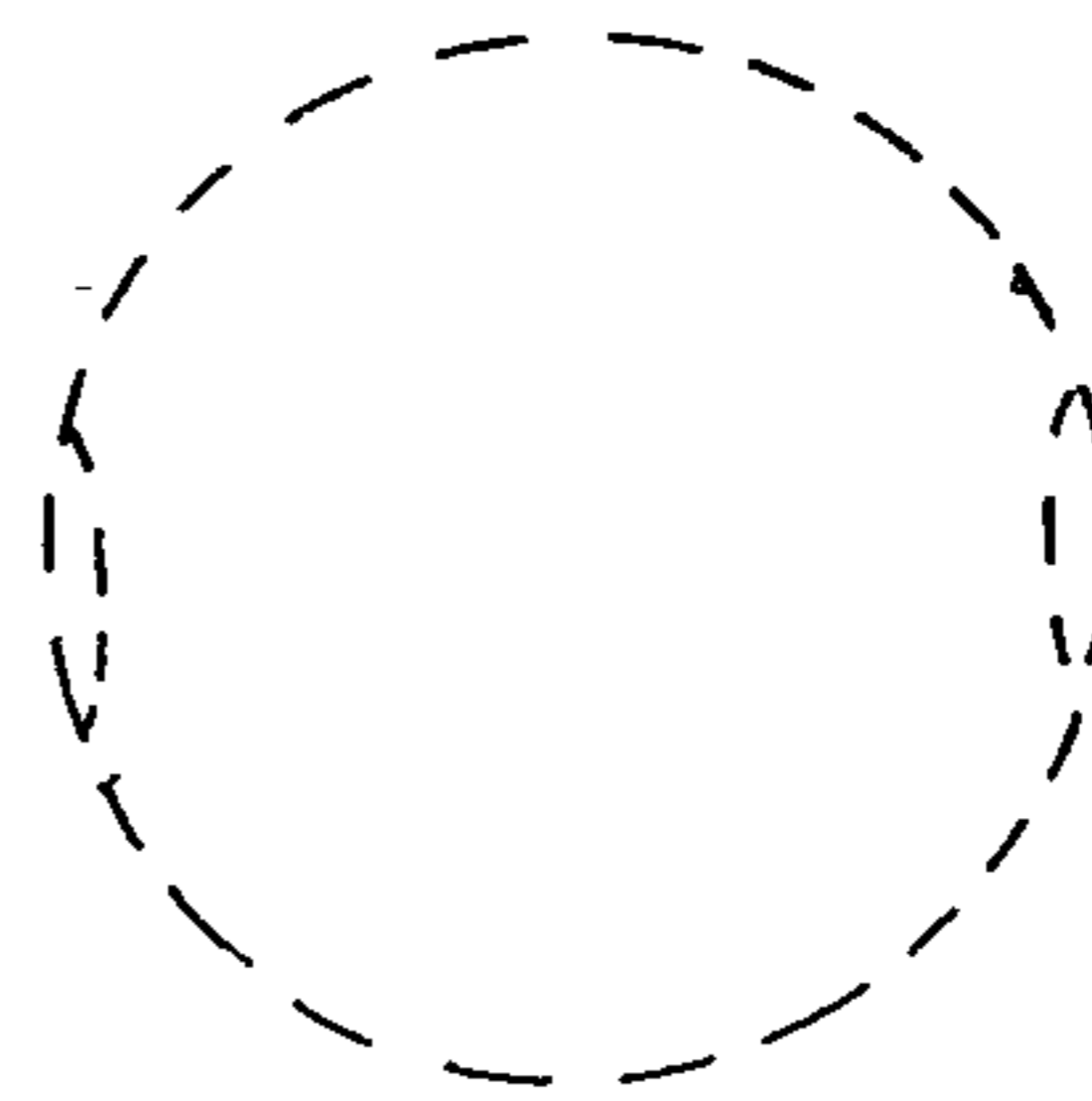
**FIG. 3**



**FIG. 4**



**FIG. 5**



**FIG. 6**