



US00D775682S

(12) **United States Design Patent** (10) **Patent No.:** **US D775,682 S**
Ou et al. (45) **Date of Patent:** **** Jan. 3, 2017**

(54) **HOLDER FOR A PORTABLE ELECTRONIC DEVICE**

FOREIGN PATENT DOCUMENTS

(71) Applicant: **HTC Corporation**, Taoyuan (TW)

JP D1328914 * 5/2008
TW D121000 1/2008

(72) Inventors: **Shih-Hsun Ou**, Taoyuan (TW);
Jung-Cheng Su, Taoyuan (TW)

OTHER PUBLICATIONS

(73) Assignee: **HTC Corporation**, Taoyuan (TW)

<https://www.htc.com/us/accessories/#!pid=re-camera> Aavailable
Mar. 16, 2015.*

(**) Term: **14 Years**

(Continued)

(21) Appl. No.: **29/513,797**

Primary Examiner — Susan Bennett Hattan

(22) Filed: **Jan. 6, 2015**

Assistant Examiner — Leanne Was

(51) **LOC (10) Cl.** **16-01**

(74) *Attorney, Agent, or Firm* — Jianq Chyun IP Office

(52) **U.S. Cl.**

USPC **D16/237**

(58) **Field of Classification Search**

USPC . D3/215, 219, 266, 267; D6/535; D7/619.1,
D7/620, 621, 622; D11/26; D14/253, 447;
D16/200–204, 206–208, D16/237,
D16/242–245; 224/269, 904, 908;
348/373, 375; 396/419–421, 429, 535
CPC G03B 17/561; H04N 5/2252; H04N 5/2254
See application file for complete search history.

(57) **CLAIM**

The ornamental design for a holder for a portable electronic device, as shown and described.

DESCRIPTION

(56) **References Cited**

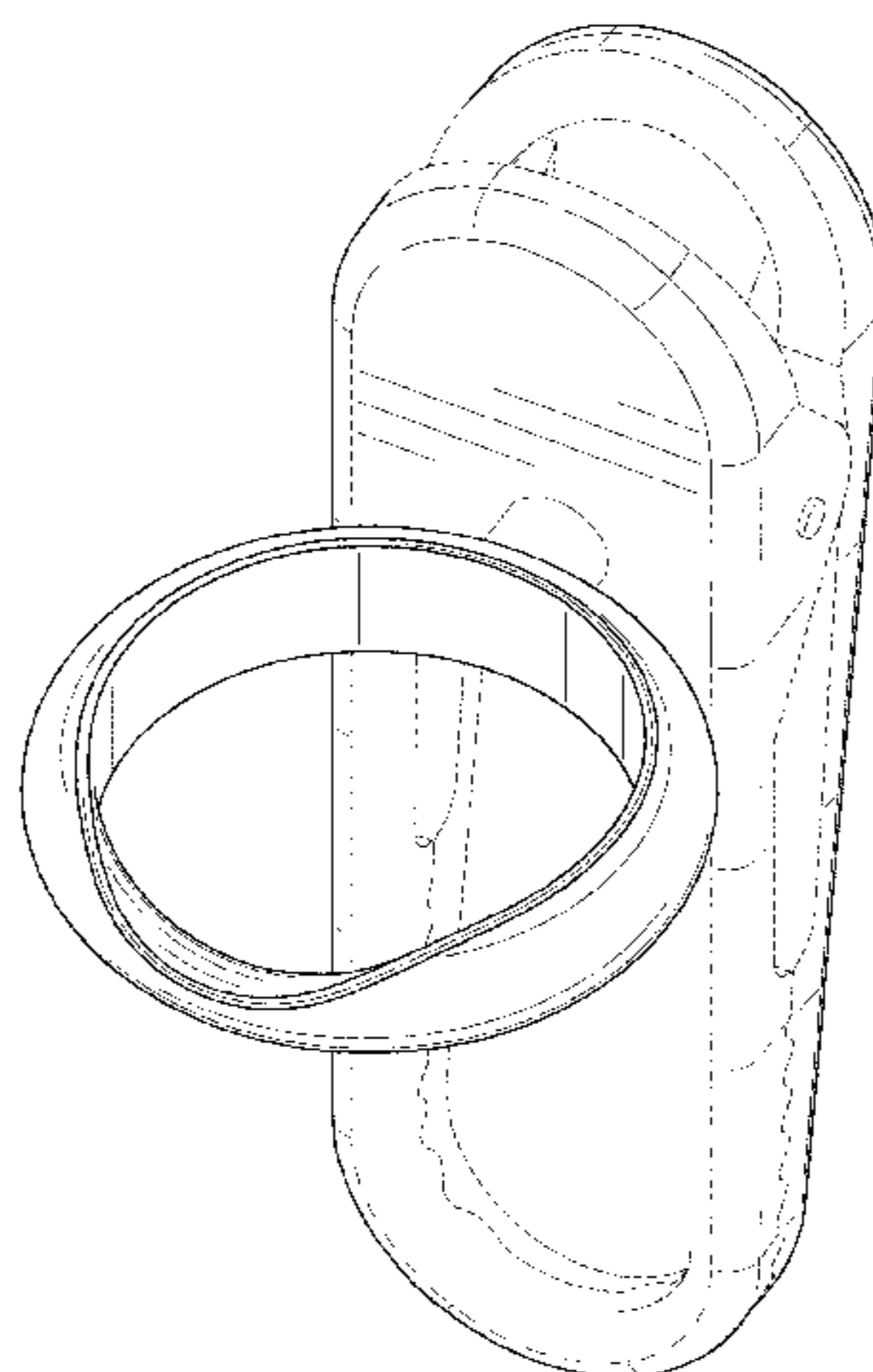
U.S. PATENT DOCUMENTS

2,926,879 A * 3/1960 Dietrich A47G 23/0225
224/406
D237,016 S 9/1975 Stevenson
D267,050 S * 11/1982 Ostrom D16/219
D283,283 S * 4/1986 Sollen D6/535
D410,212 S * 5/1999 Otero D11/26
D512,275 S * 12/2005 Kent-Fawkes D7/622
D534,939 S * 1/2007 Sheehan D16/208
D592,362 S * 5/2009 Rutherford D30/119
D600,077 S * 9/2009 Barnes, Jr. D7/620
D608,184 S 1/2010 Kelleghan
D623,849 S * 9/2010 Chorazewitz D3/215
D636,174 S 4/2011 Smith
D669,317 S * 10/2012 Giampavolo D7/620
8,777,170 B2 * 7/2014 Gilbert A63H 3/50
224/666

FIG. 1 is a perspective view of a holder for a portable electronic device showing our new design;
FIG. 2 is a front view thereof;
FIG. 3 is a rear view thereof;
FIG. 4 is a left side view thereof;
FIG. 5 is a right side view thereof;
FIG. 6 is a top view thereof;
FIG. 7 is a bottom view thereof;
FIG. 8 is a perspective view thereof with the ring twisted; and,
FIG. 9 is a perspective view thereof with a portable electronic device encircled by the ring.
The dash-dash lines depict portions of the holder for a portable electronic device that form no part of the claimed design. The dot-dot-dash lines showing the portable electronic device illustrate unclaimed environment and form no part of the claimed design.

(Continued)

1 Claim, 9 Drawing Sheets



(56)

References Cited

U.S. PATENT DOCUMENTS

8,979,398 B2 * 3/2015 Han G03B 17/561
396/424
D750,445 S * 3/2016 Smith D7/619.1
D751,563 S * 3/2016 Wengreen D14/447
2015/0122852 A1 * 5/2015 Feng A45F 5/00
224/191

OTHER PUBLICATIONS

“Notice of Allowance of Taiwan Counterpart Application”, issued
on Jul. 27, 2015, p. 1-p. 3.

* cited by examiner

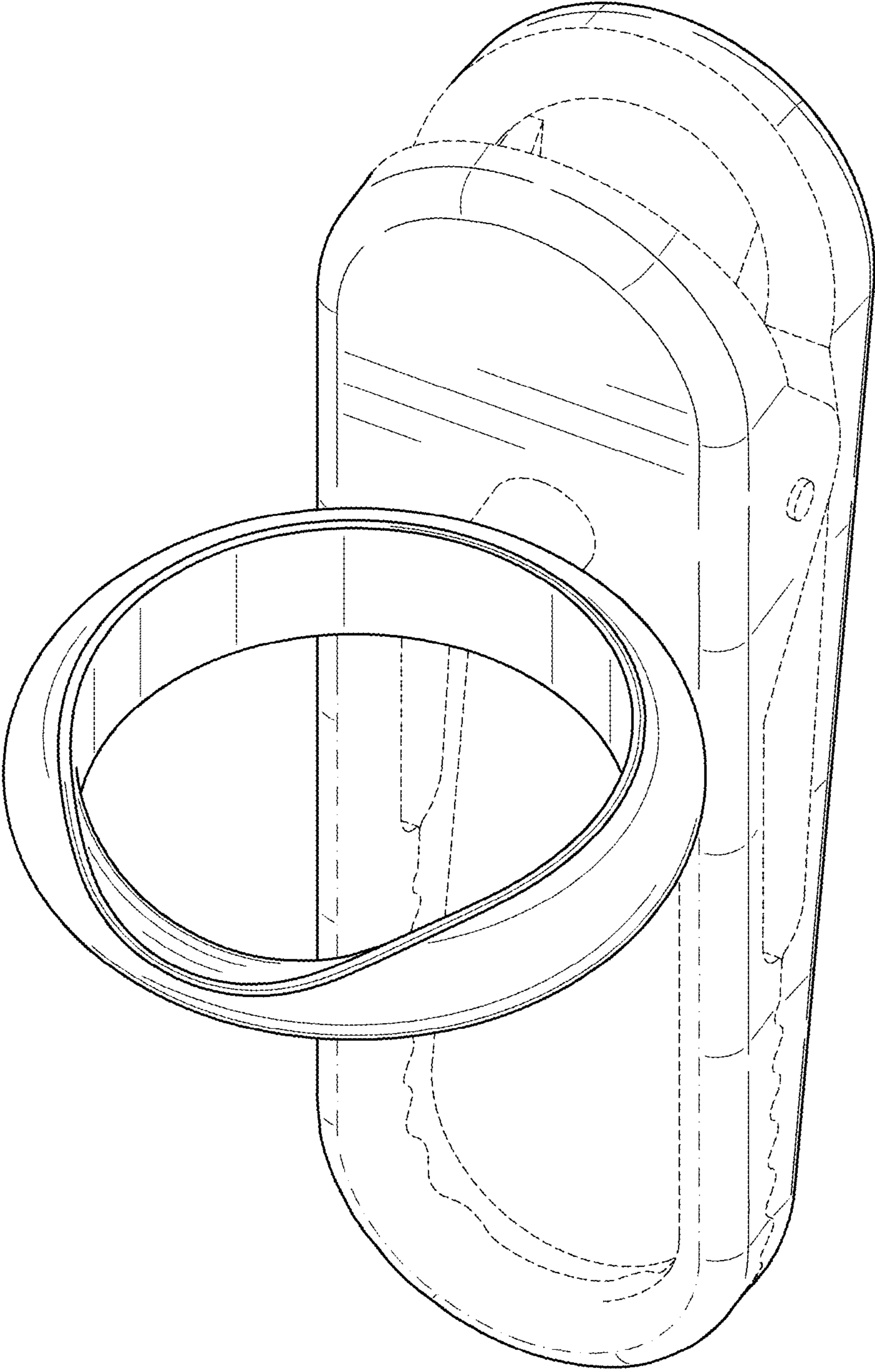


FIG. 1

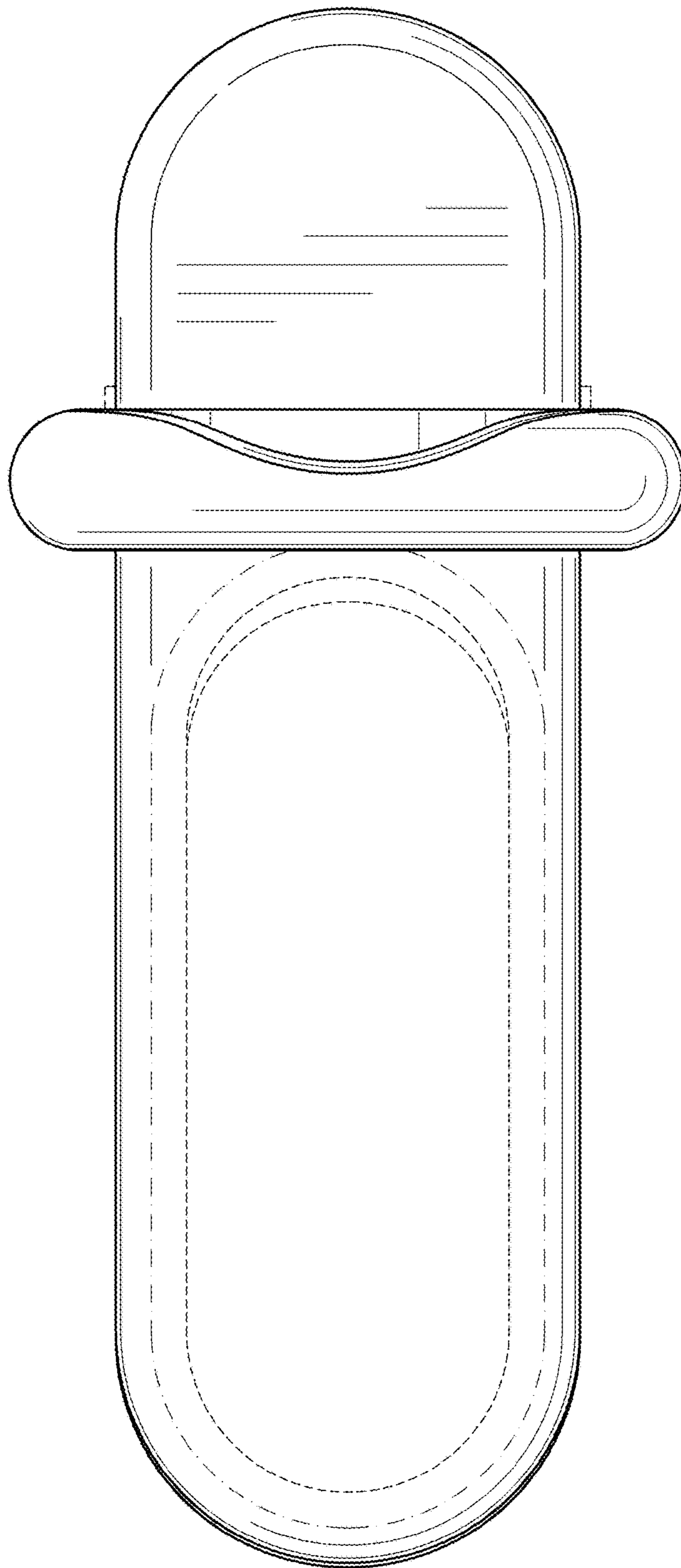


FIG. 2

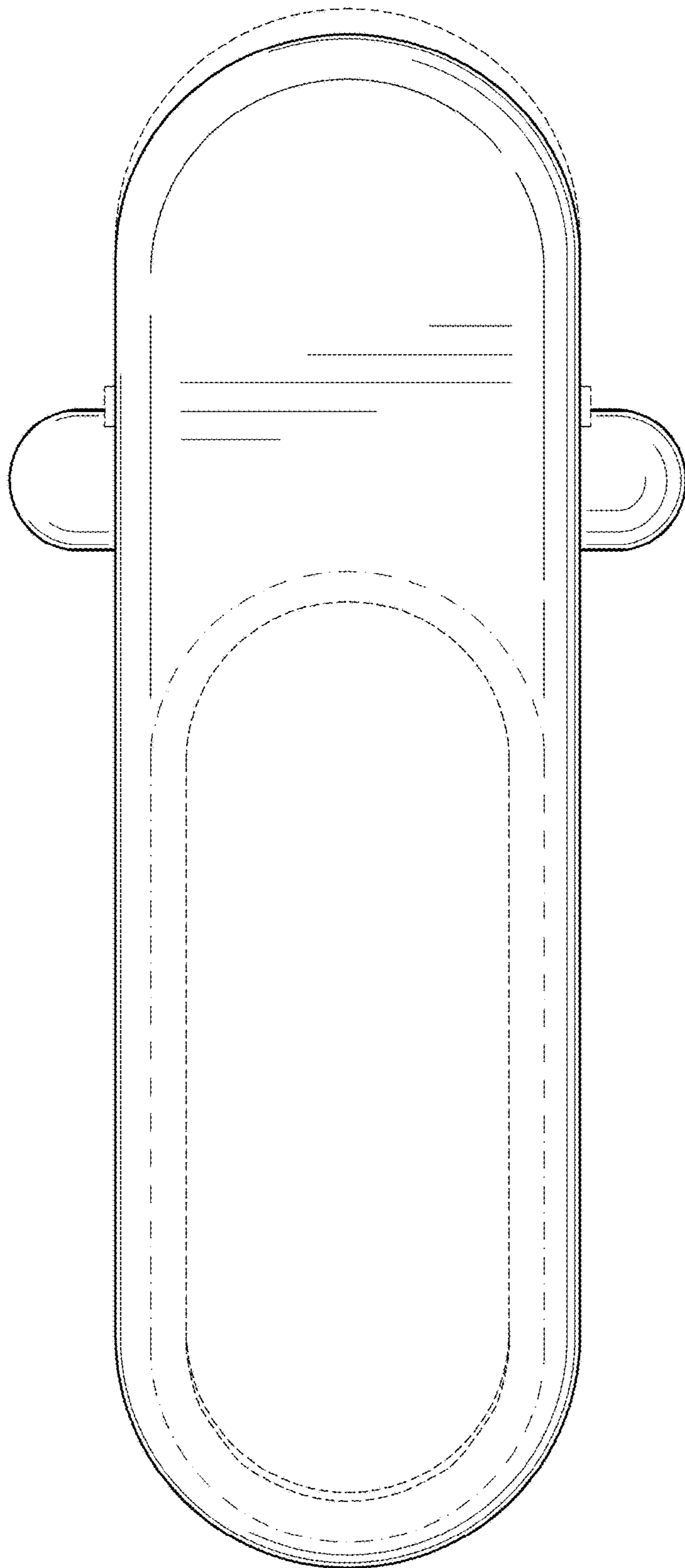


FIG. 3

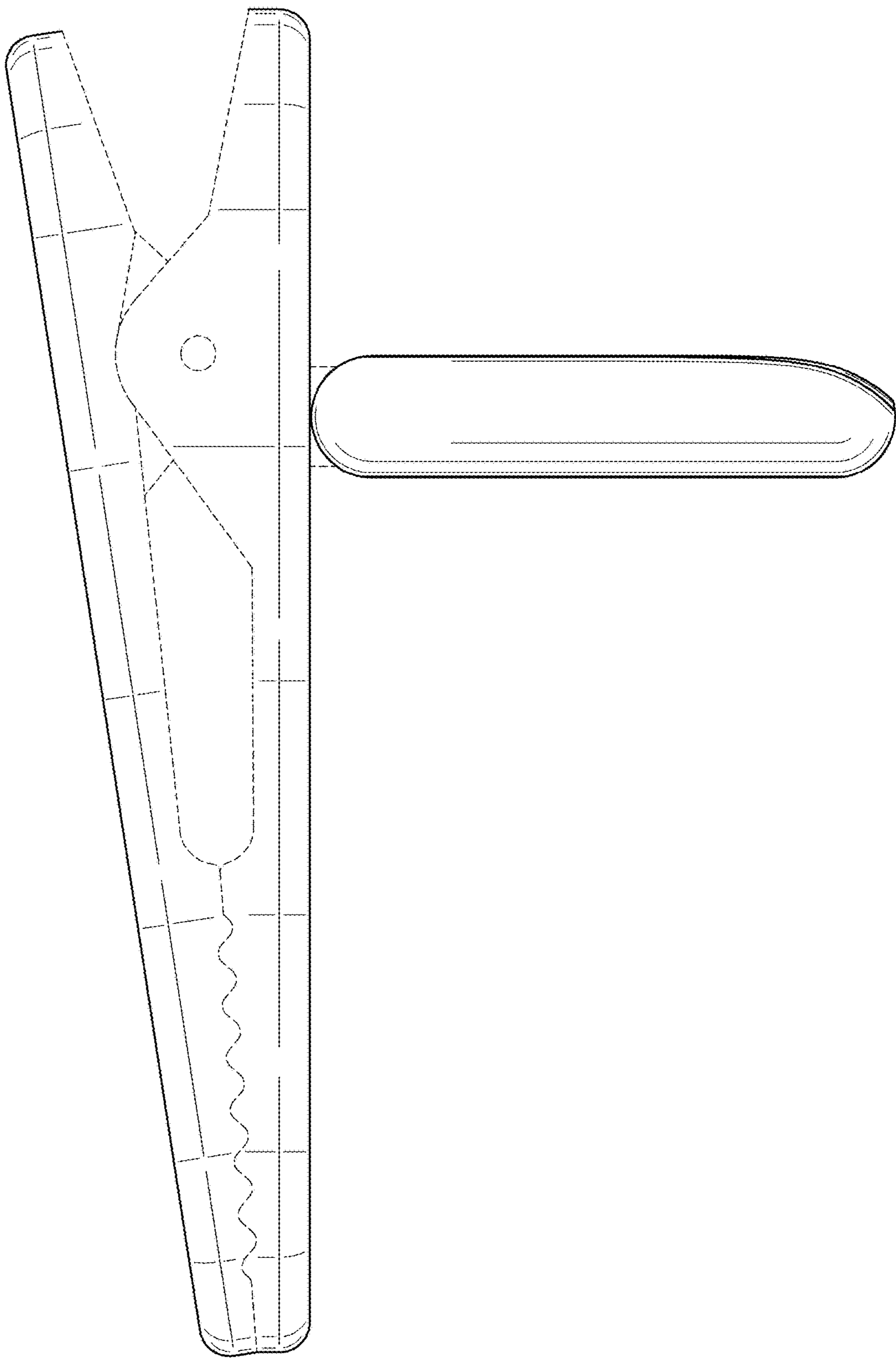


FIG. 4

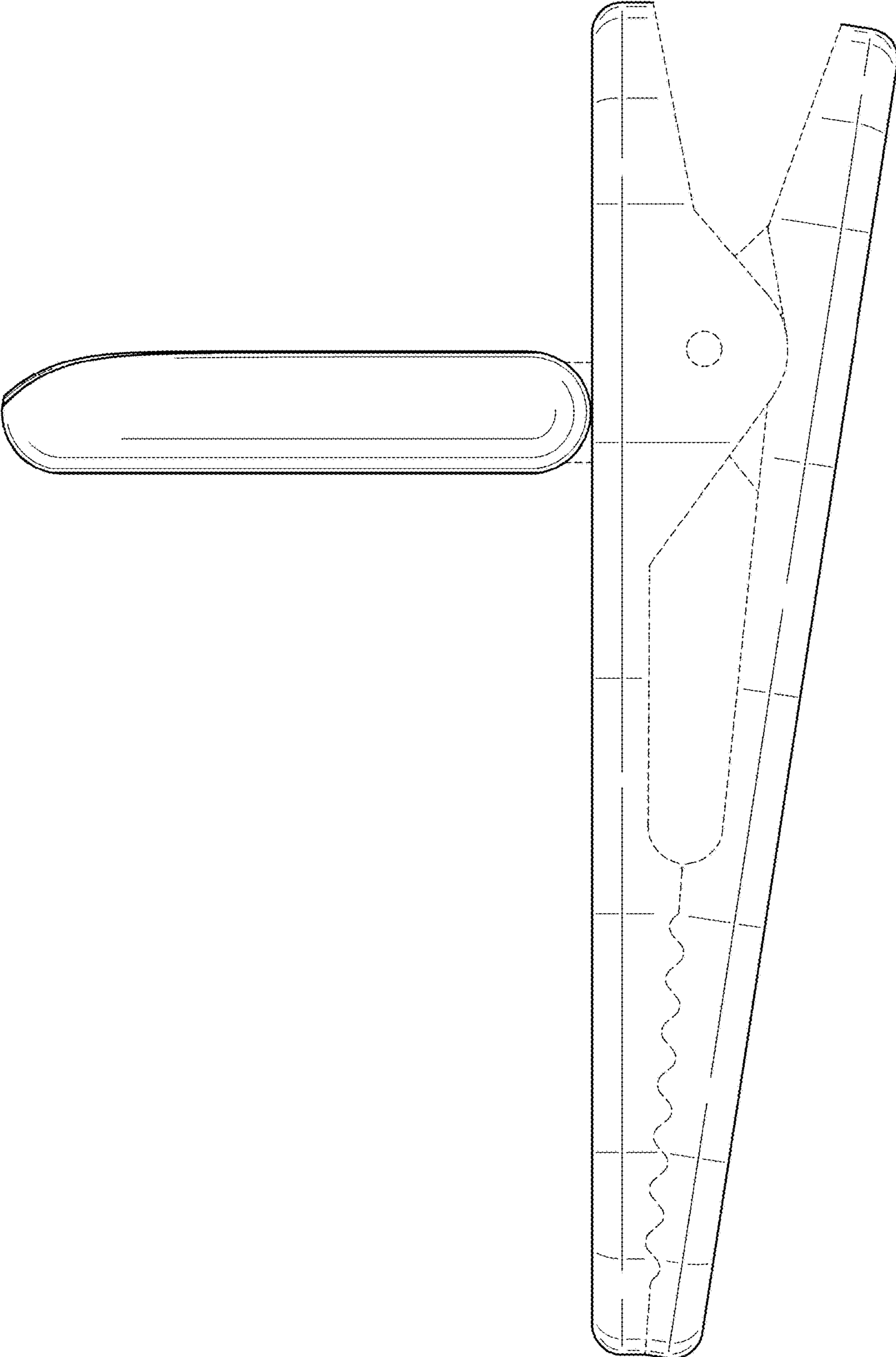


FIG. 5

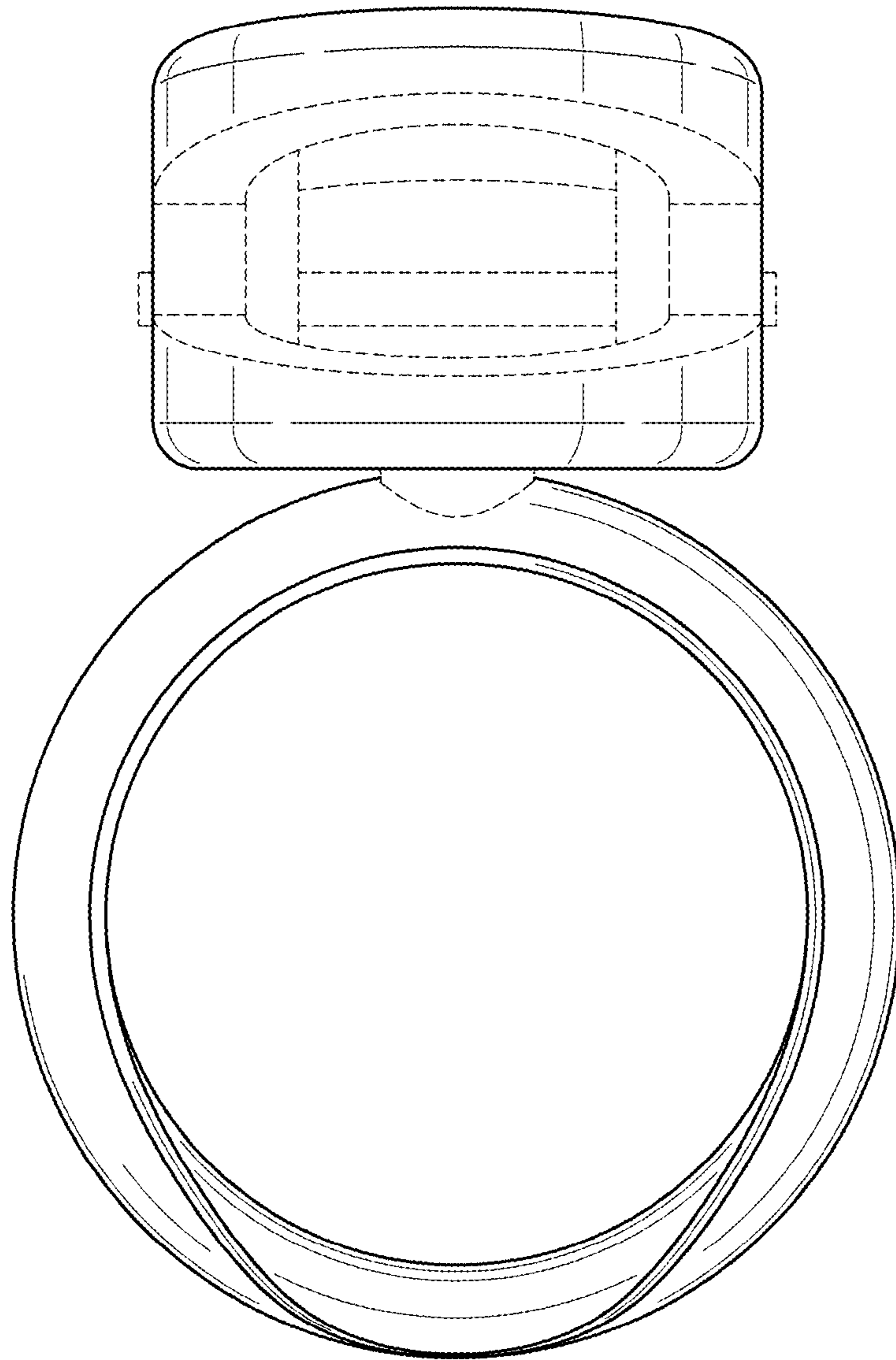


FIG. 6

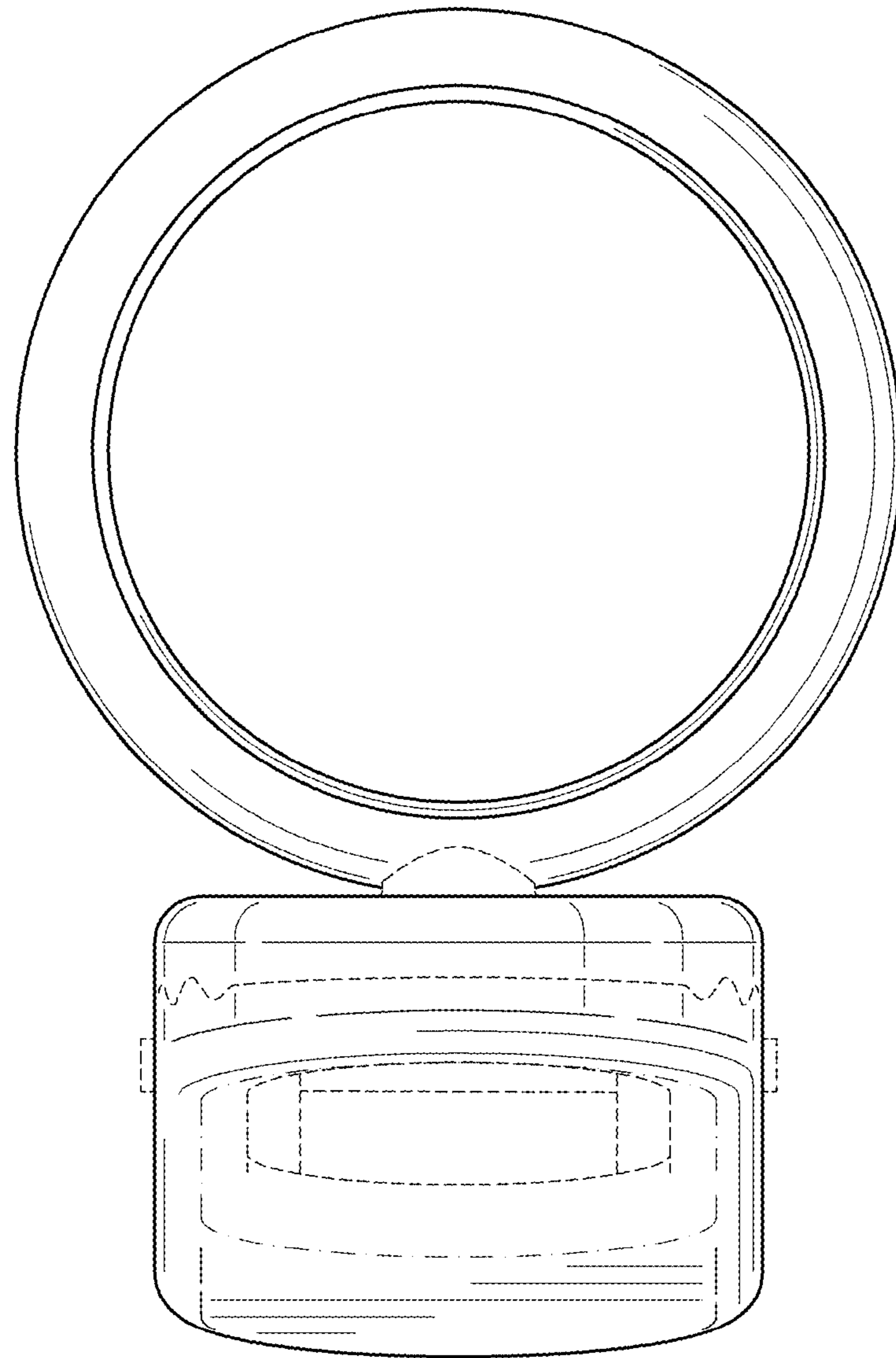


FIG. 7

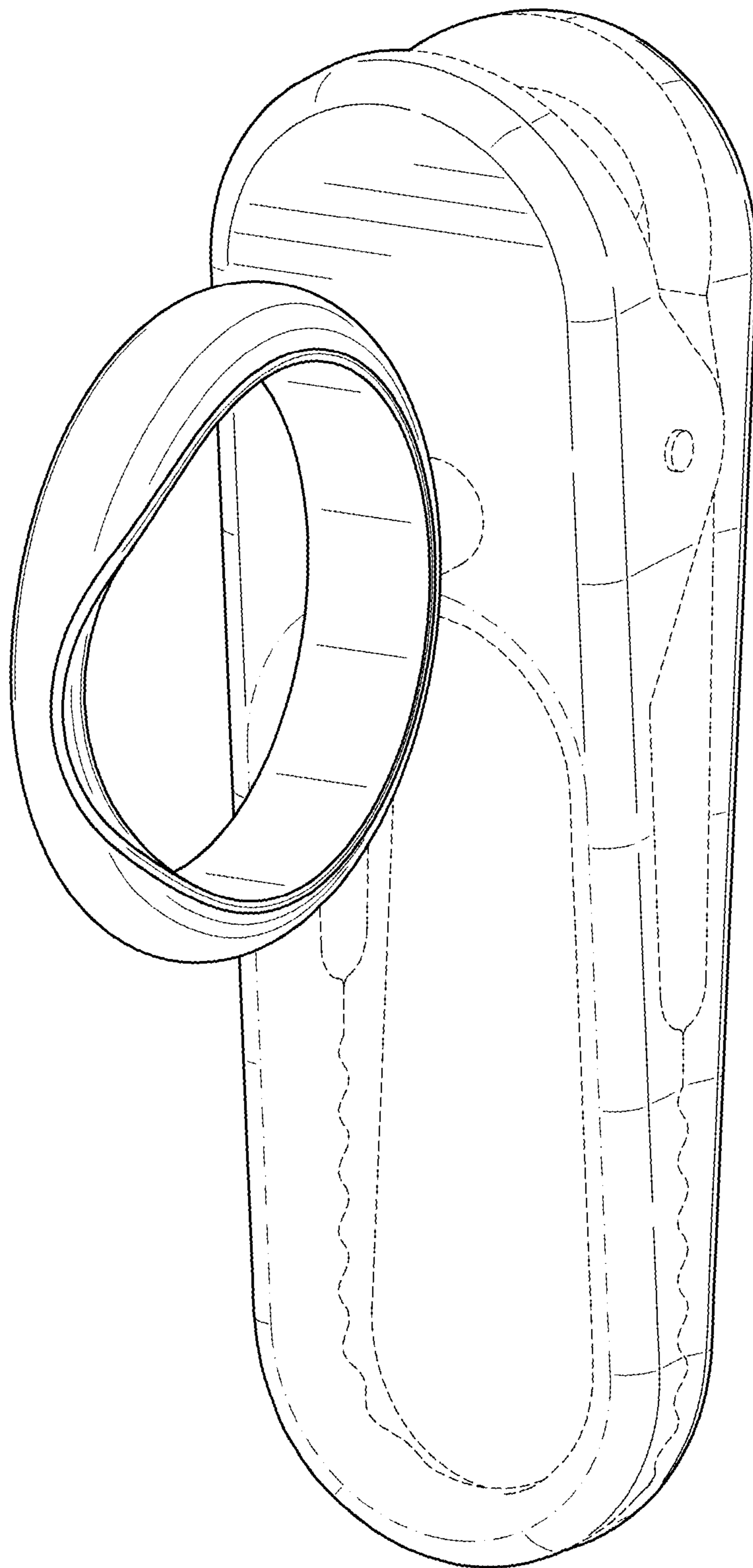


FIG. 8

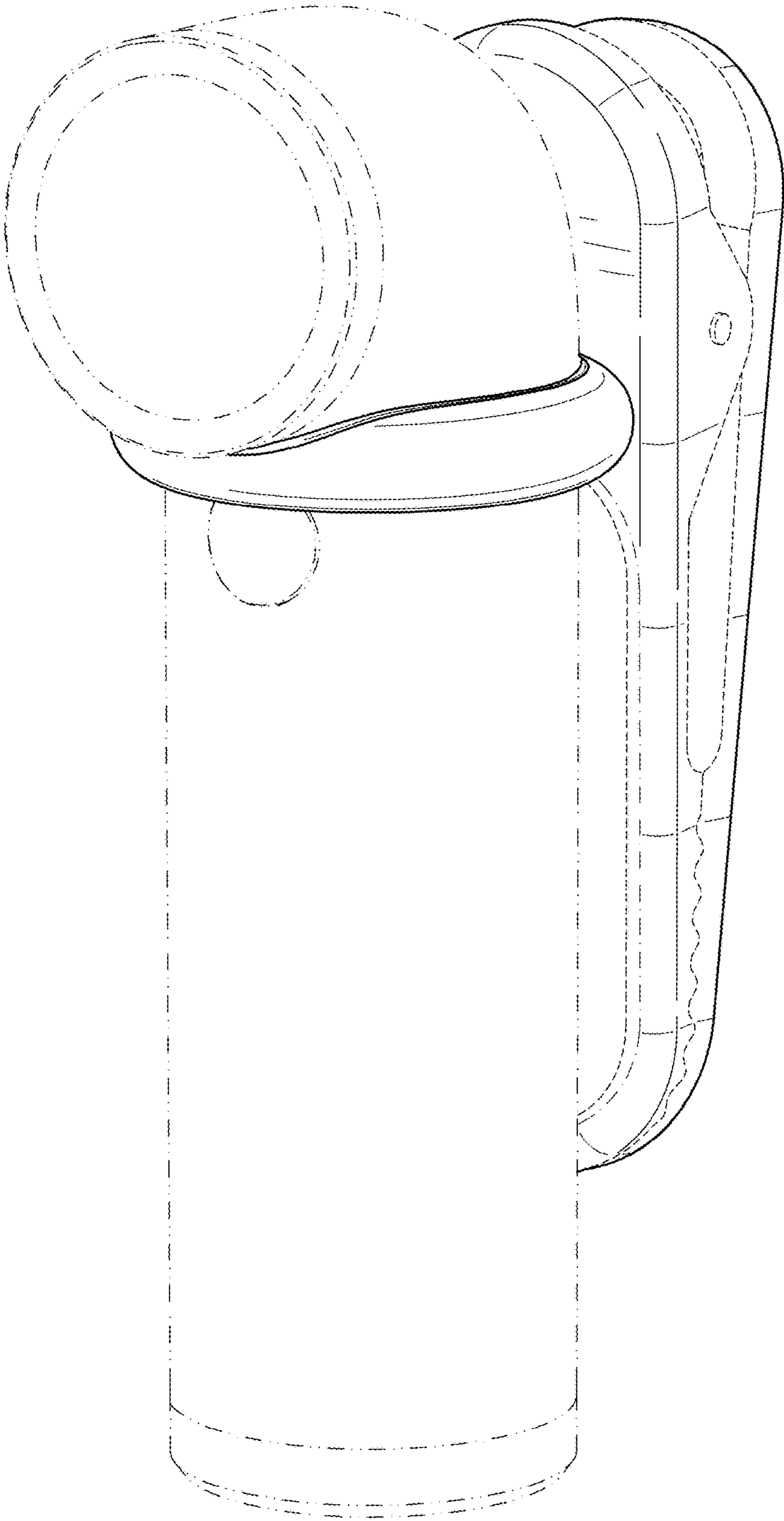


FIG. 9