



US00D775681S

(12) **United States Design Patent**
Yuyama et al.

(10) **Patent No.:** **US D775,681 S**

(45) **Date of Patent:** **** Jan. 3, 2017**

(54) **PROJECTOR**

(71) Applicant: **Panasonic Intellectual Property Management Co., Ltd., Osaka (JP)**

(72) Inventors: **Keiji Yuyama, Osaka (JP); Takashi Tsukahara, Osaka (JP)**

(73) Assignee: **Panasonic Intellectual Property Management Co., Ltd., Osaka (JP)**

(**) Term: **15 Years**

(21) Appl. No.: **29/552,007**

(22) Filed: **Jan. 19, 2016**

(30) **Foreign Application Priority Data**

Aug. 26, 2015 (JP) 2015-018736

(51) **LOC (10) Cl.** **16-02**

(52) **U.S. Cl.**
USPC **D16/230**

(58) **Field of Classification Search**
USPC D16/221, 225, 230-231, 234; D21/514
CPC G03B 21/00; G03B 21/001; G03B 21/003;
G03B 21/14; G03B 21/12; G03B 21/16;
G03B 21/145

See application file for complete search history.

(56) **References Cited**

U.S. PATENT DOCUMENTS

D387,795 S * 12/1997 Sakamoto D16/221
D565,630 S * 4/2008 Morishita D16/225

D658,699 S * 5/2012 Azuma D16/225
D671,159 S * 11/2012 Azuma D16/230
D688,724 S * 8/2013 Tsukahara D16/225
D727,997 S * 4/2015 Utsunomiya D16/230
D738,949 S * 9/2015 Okamoto D16/225

FOREIGN PATENT DOCUMENTS

JP D1447723 8/2012
JP D1447724 8/2012
JP D1526847 6/2015

* cited by examiner

Primary Examiner — Wan Laymon

(74) *Attorney, Agent, or Firm* — Panasonic IP Management; Kerry S. Culpepper

(57) **CLAIM**

We claim the ornamental design for a projector, as shown and described.

DESCRIPTION

FIG. 1 is a front perspective view of a projector of the present invention;

FIG. 2 is a rear perspective view thereof;

FIG. 3 is a front view thereof;

FIG. 4 is a rear view thereof;

FIG. 5 is a left side view thereof;

FIG. 6 is a right side view thereof;

FIG. 7 is a top view thereof; and,

FIG. 8 is a bottom view thereof.

The broken line showing of projector is included for the purpose of illustrating environment and forms no part of the claimed design.

1 Claim, 8 Drawing Sheets

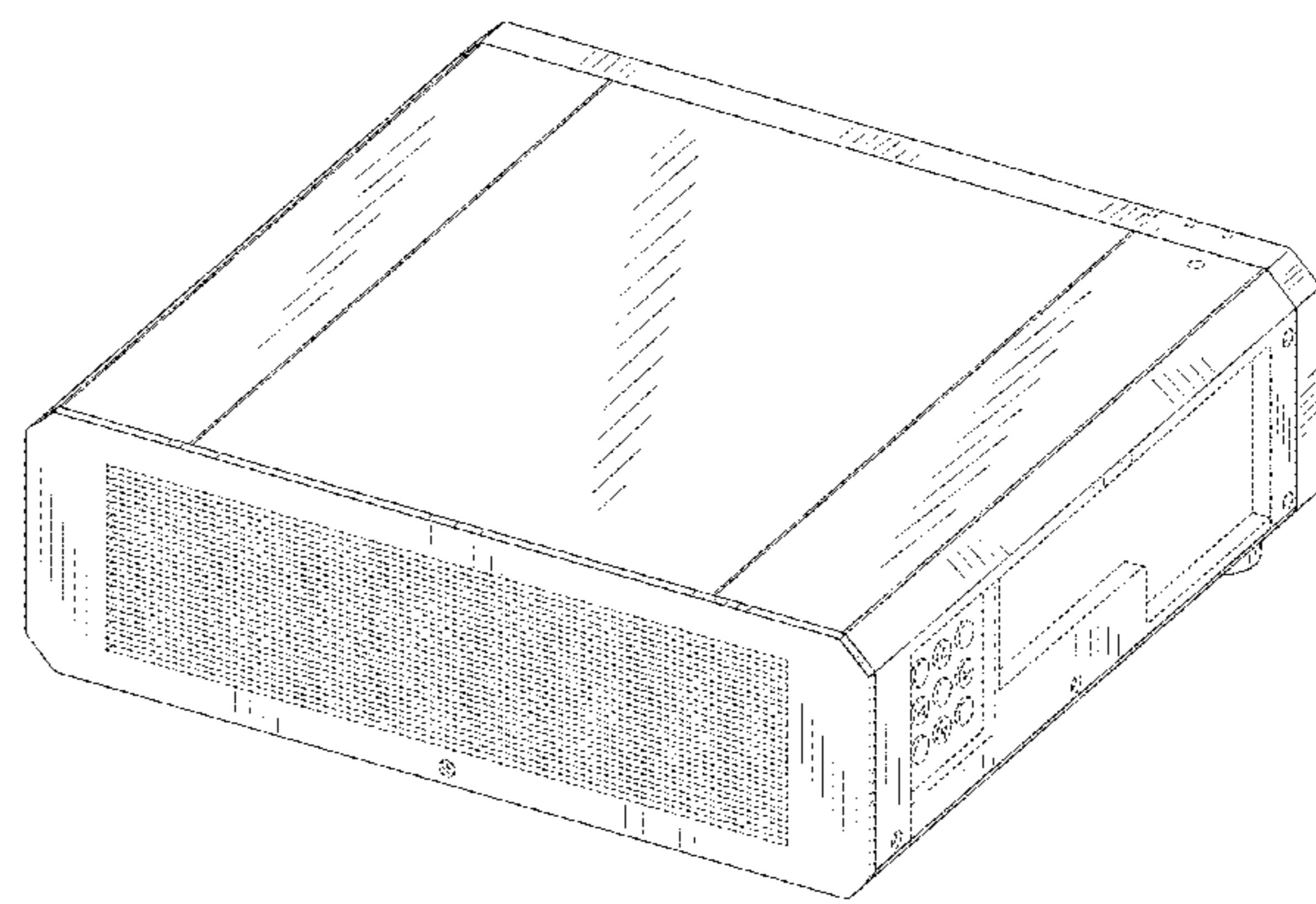
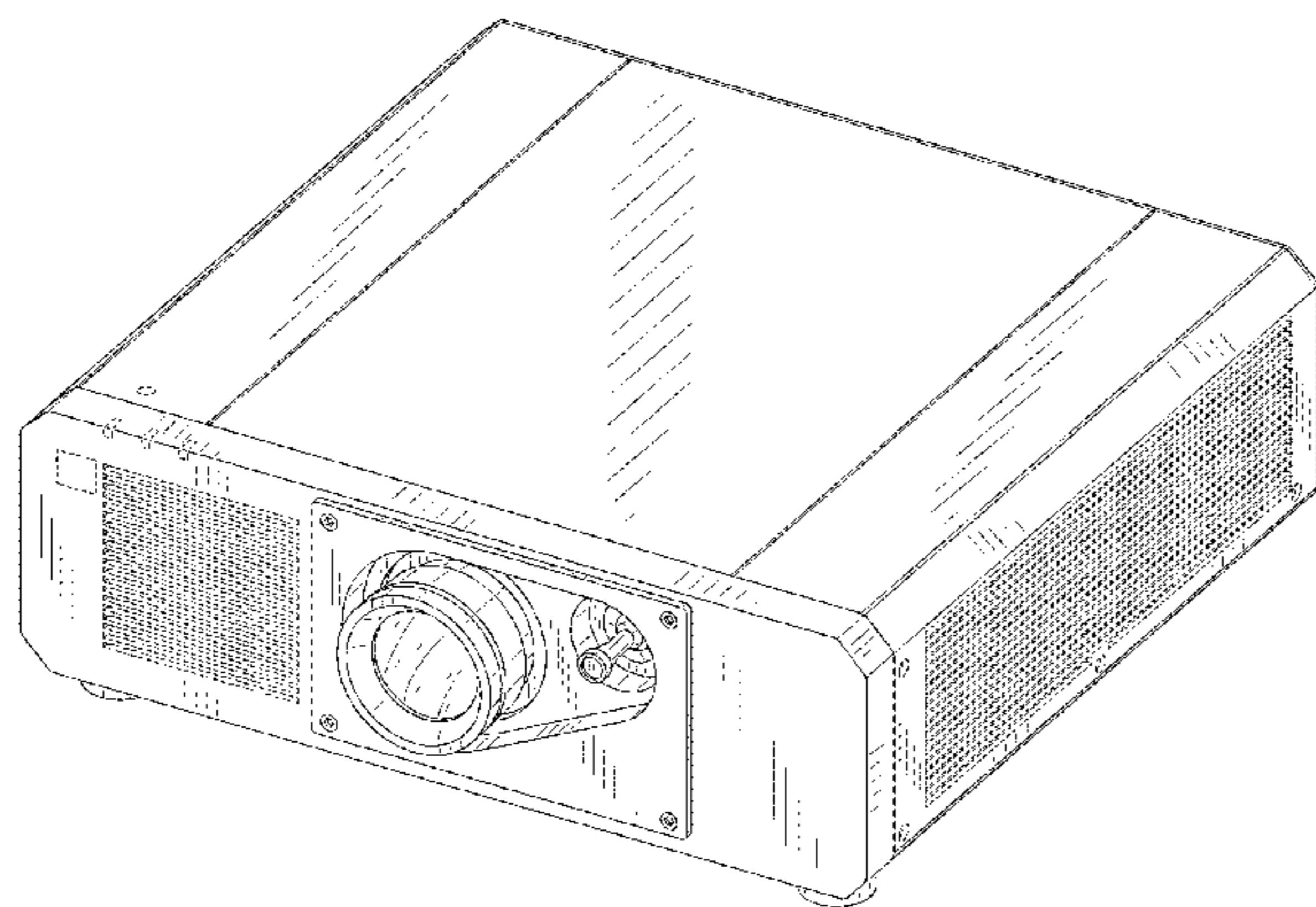


FIG. 1

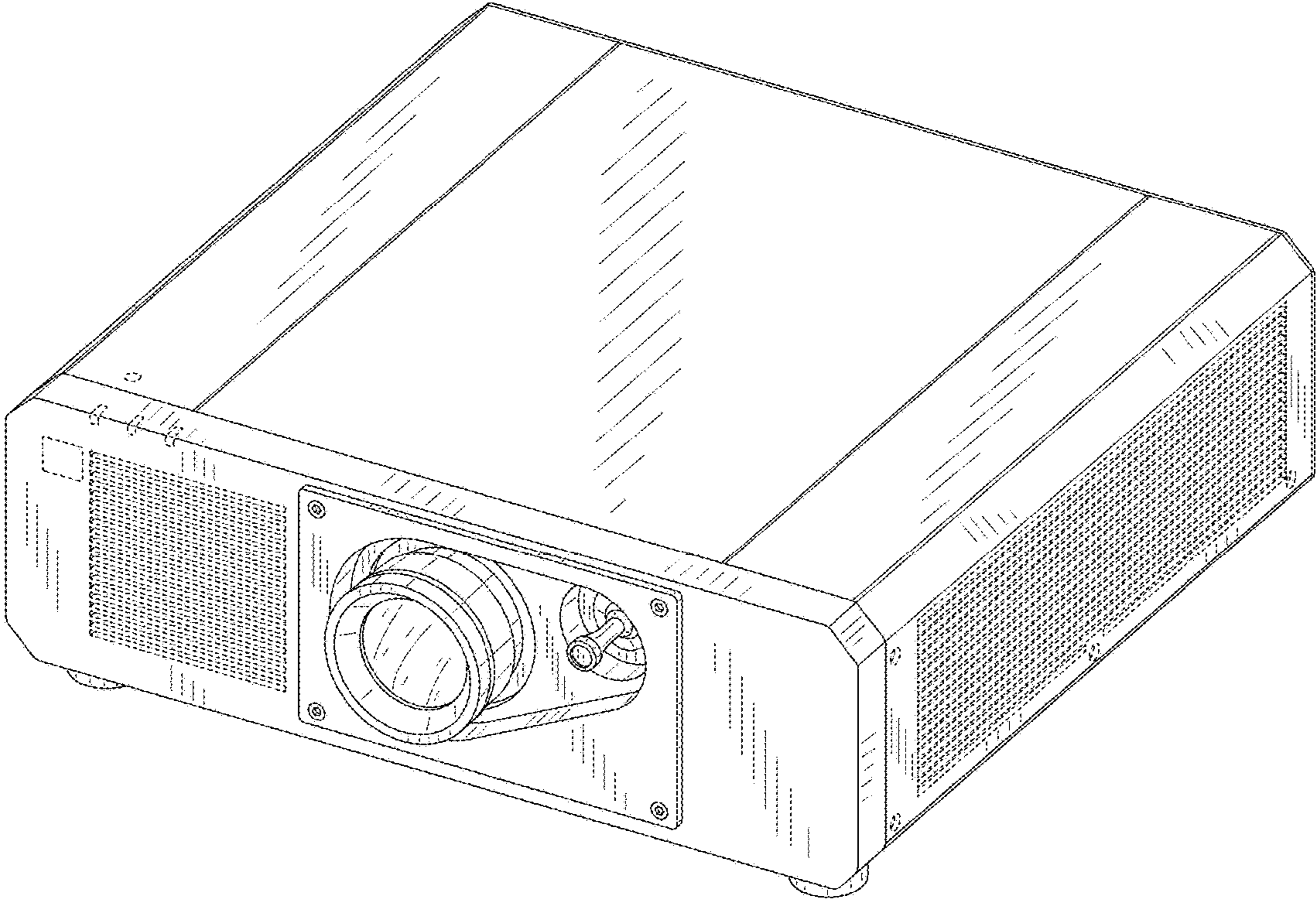


FIG. 2

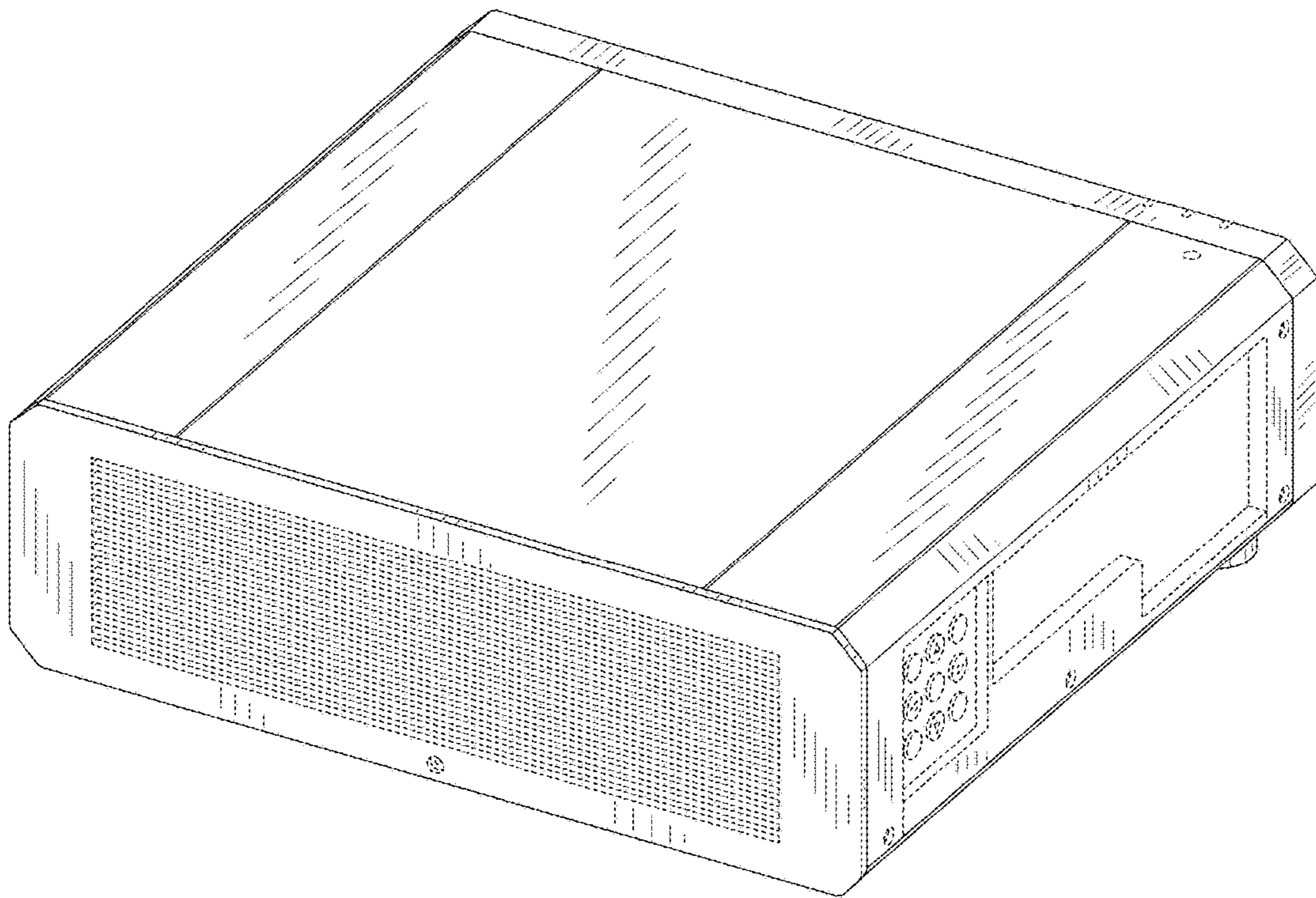


FIG. 3

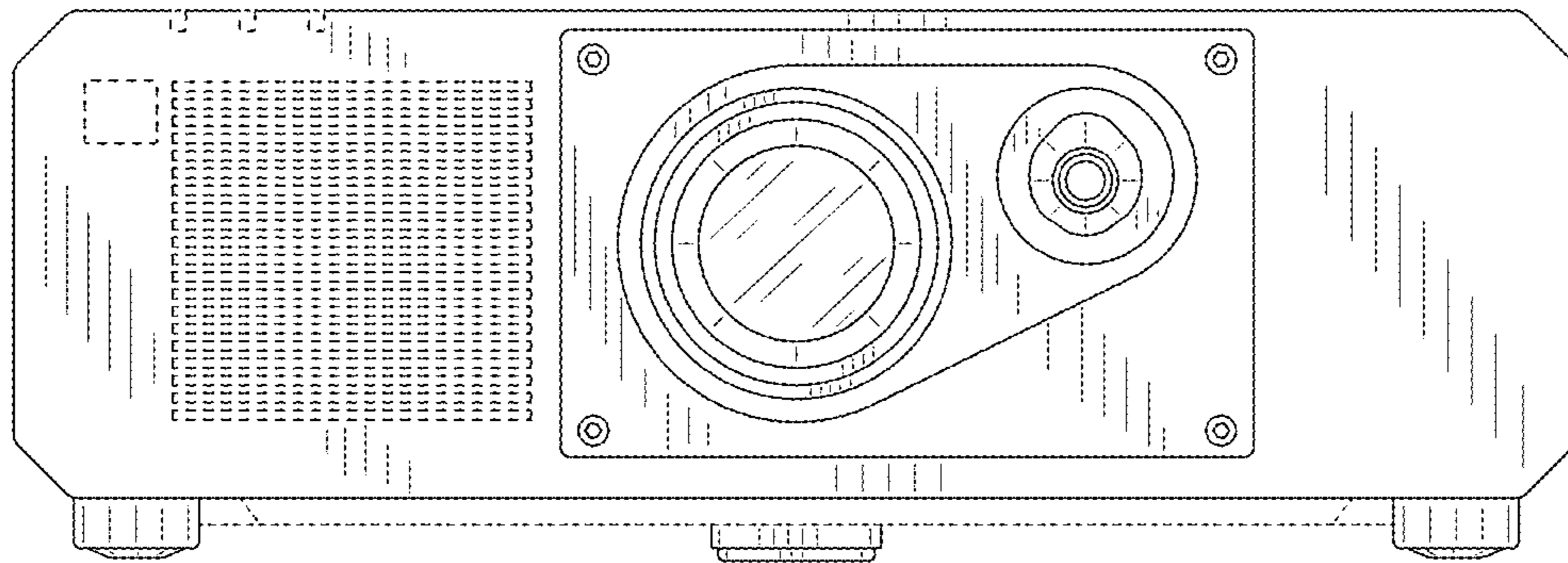


FIG. 4

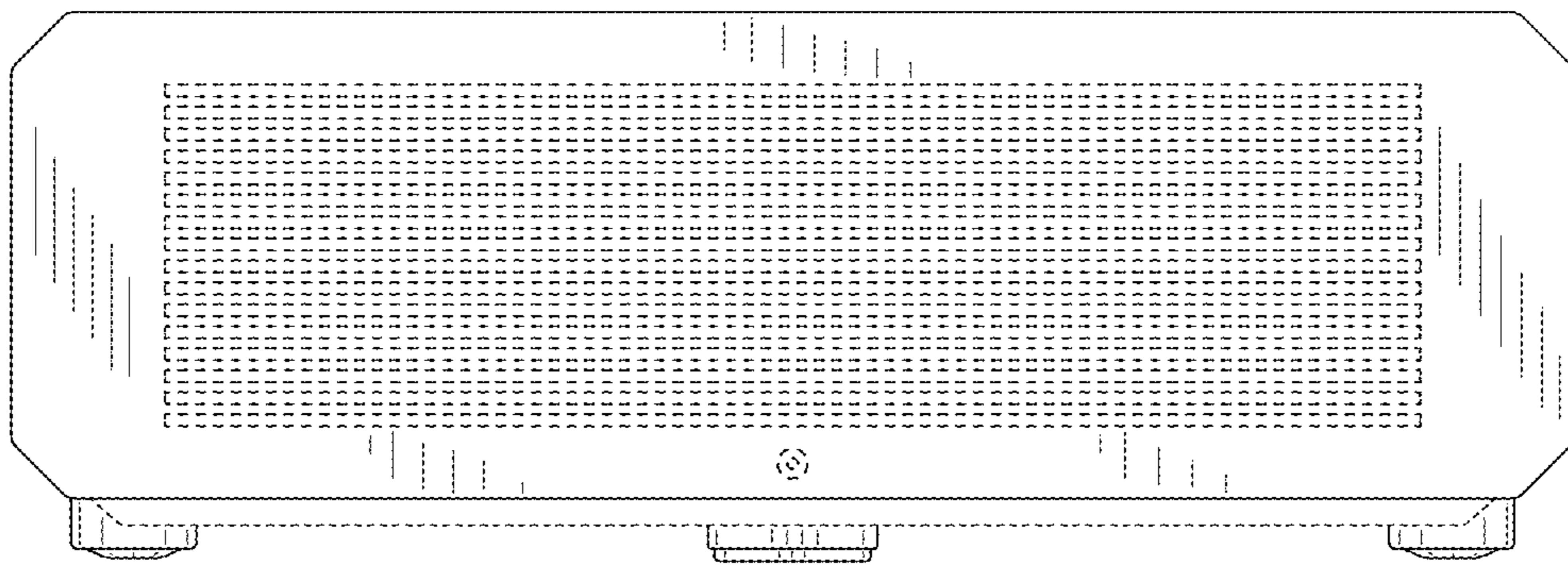


FIG. 5

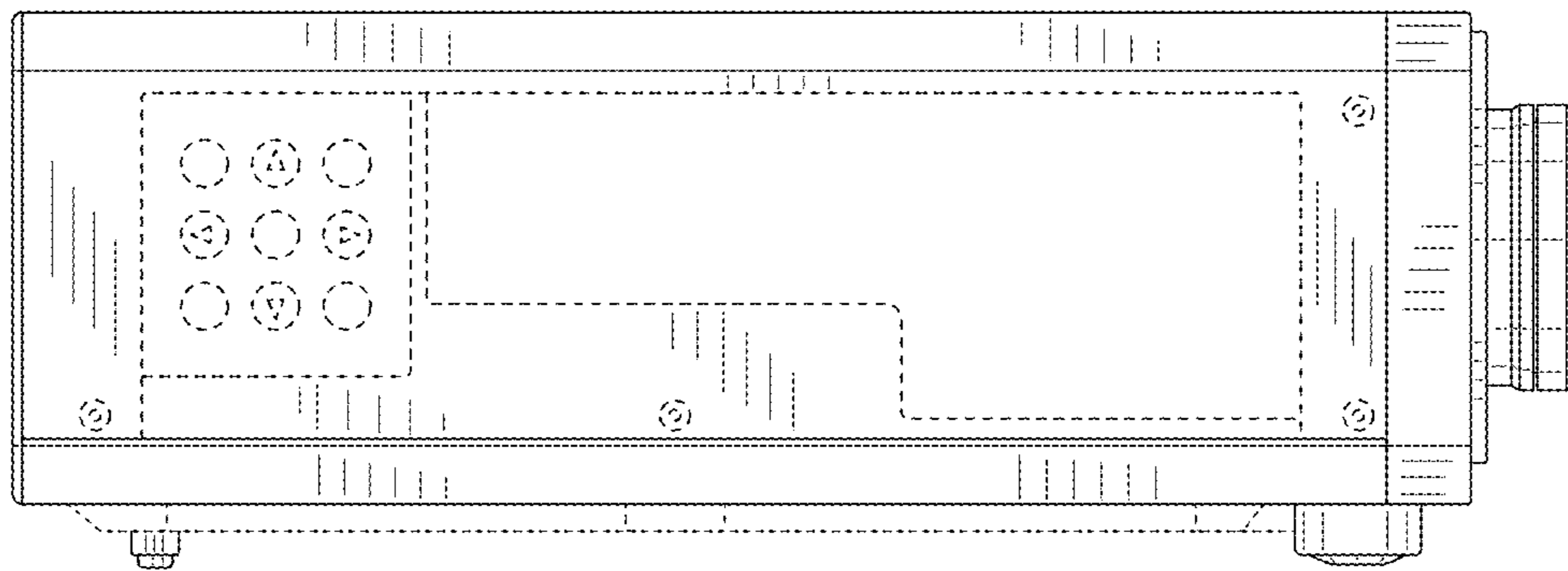


FIG. 6

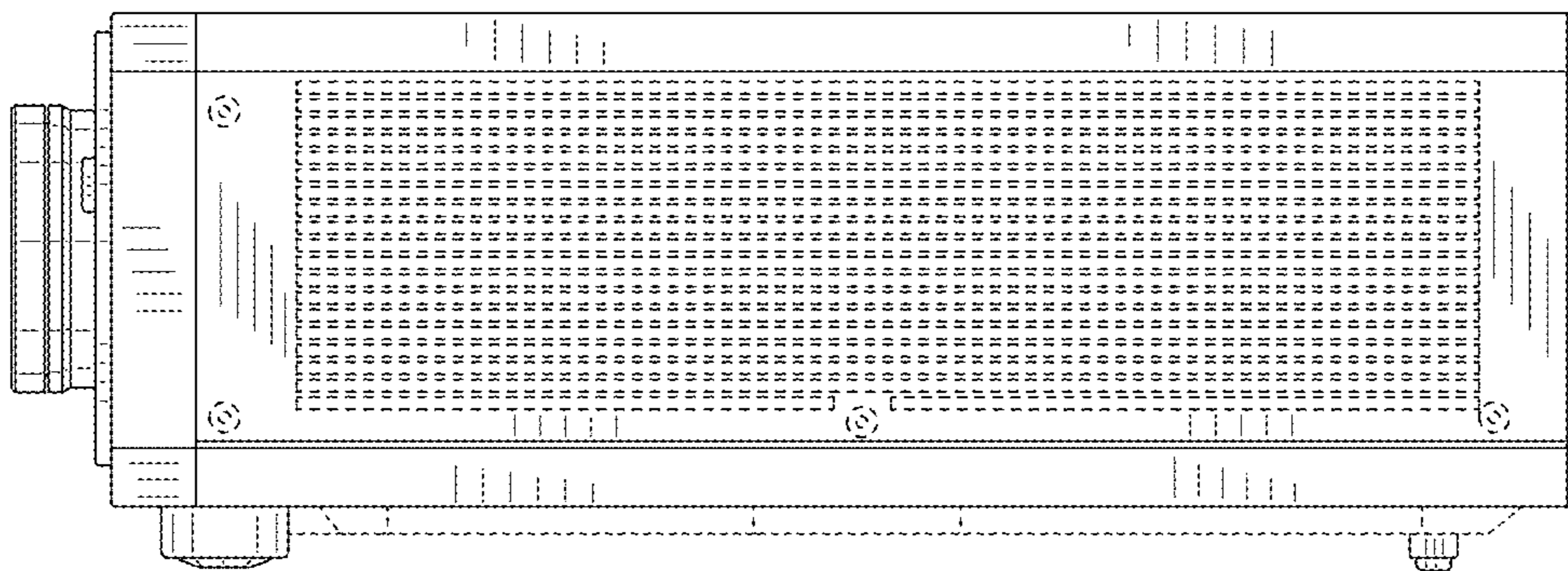


FIG. 7

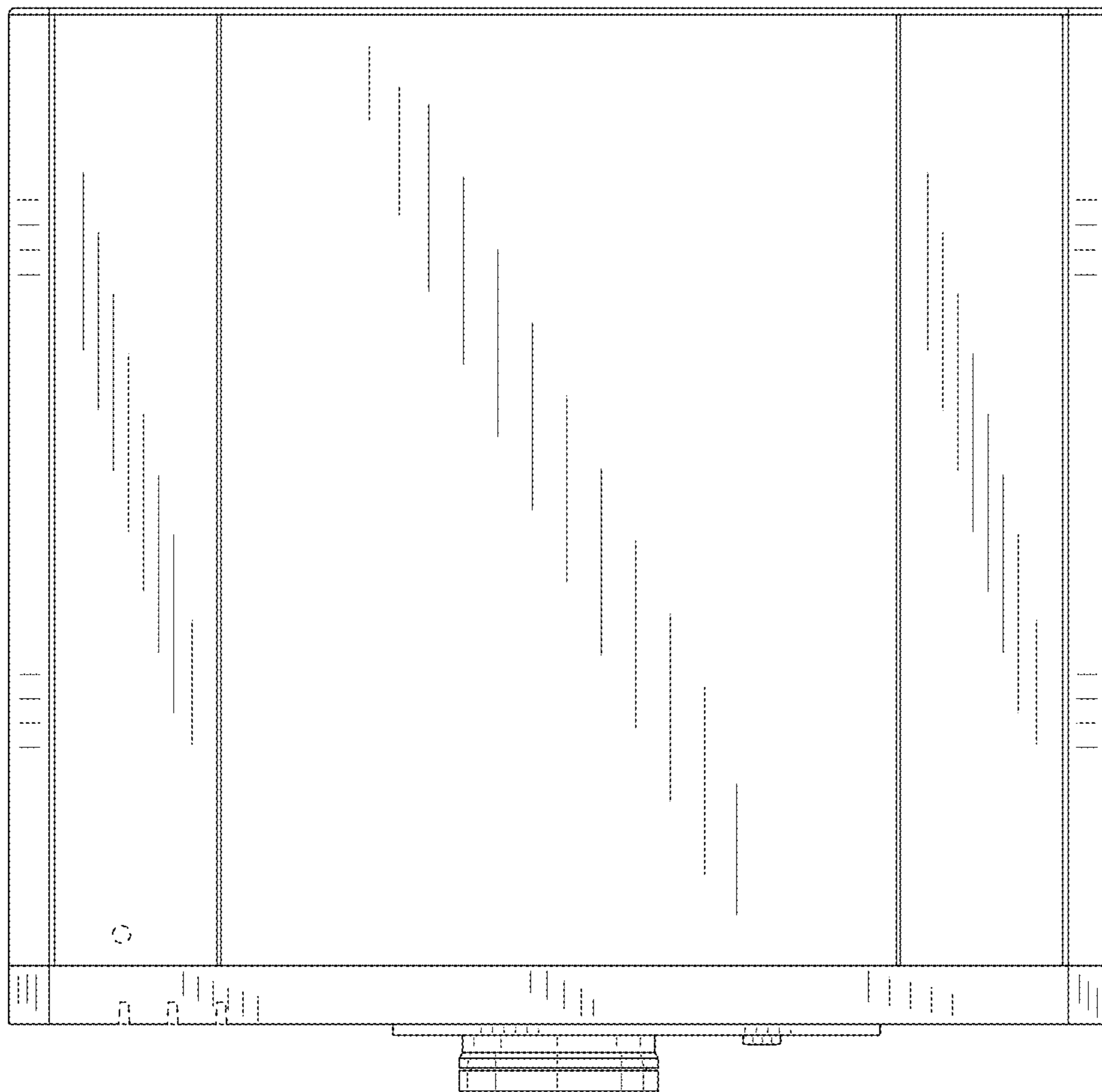


FIG. 8

