



US00D775679S

(12) **United States Design Patent**  
**Klein**

(10) **Patent No.:** **US D775,679 S**  
(45) **Date of Patent:** **\*\* Jan. 3, 2017**

(54) **SMART MEDIA BOX WITH LENS AND MICROPHONES**

(71) Applicant: **SECTOR 5, INC.**, Alexandria, VA (US)

(72) Inventor: **Sandro David Klein**, Irvine, CA (US)

(\*\*) Term: **15 Years**

(21) Appl. No.: **29/531,207**

(22) Filed: **Jun. 24, 2015**

(51) **LOC (10) Cl.** ..... **16-01**

(52) **U.S. Cl.**

USPC ..... **D16/202**

(58) **Field of Classification Search**

USPC ..... D16/200, 202–203, 208, 218, 219, 242;  
248/187.1; 348/14.01–14.6, 143, 148,  
348/151, 373–376; 396/419, 427, 428,  
396/535, 539–541

CPC ..... G03B 17/02; G03B 19/04; G03B 17/56;  
G03B 17/04; G03B 15/03; H04N  
2101/00; H04N 2007/145; H04N 7/141;  
H04N 7/142; H04N 7/147; H04N 7/148;  
H04N 7/15; H04N 7/152

See application file for complete search history.

(56) **References Cited**

**U.S. PATENT DOCUMENTS**

D441,000	S	*	4/2001	Vanderwilt	.....	D16/202
D550,266	S	*	9/2007	Lau	.....	D16/202
7,500,794	B1	*	3/2009	Clark	.....	G03B 17/00 348/143
D600,730	S	*	9/2009	Su	.....	D16/202
D629,031	S	*	12/2010	Su	.....	D16/202
D631,497	S	*	1/2011	Han	.....	D16/202
D641,388	S	*	7/2011	Shih	.....	D16/202
D674,430	S	*	1/2013	Inoue	.....	D16/218
D680,569	S	*	4/2013	Lee	.....	D16/202
D705,337	S	*	5/2014	Tani	.....	D16/219

D750,681	S	*	3/2016	Takami	.....	D16/202
2012/0236195	A1	*	9/2012	Chang	.....	H04N 5/2252 348/333.06
2013/0010053	A1	*	1/2013	Daddi	.....	A47C 31/00 348/14.08

\* cited by examiner

*Primary Examiner* — Philip S Hyder

*Assistant Examiner* — Ramzi Almatrahi

(74) *Attorney, Agent, or Firm* — Welsh Flaxman & Gitler LLC

(57) **CLAIM**

The ornamental design for a smart media box with lens and microphones, as shown and described.

**DESCRIPTION**

FIG. 1 is a perspective view of a smart media box with lens and microphones.

FIG. 2 is a perspective view of the smart media box with lens and microphones, showing the lens cover in an open position.

FIG. 3 is a top plan view of the smart media box with lens and microphones.

FIG. 4 is a bottom plan view of the smart media box with lens and microphones.

FIG. 5 is a side view of the smart media box with lens and microphones, the opposite side view is identical.

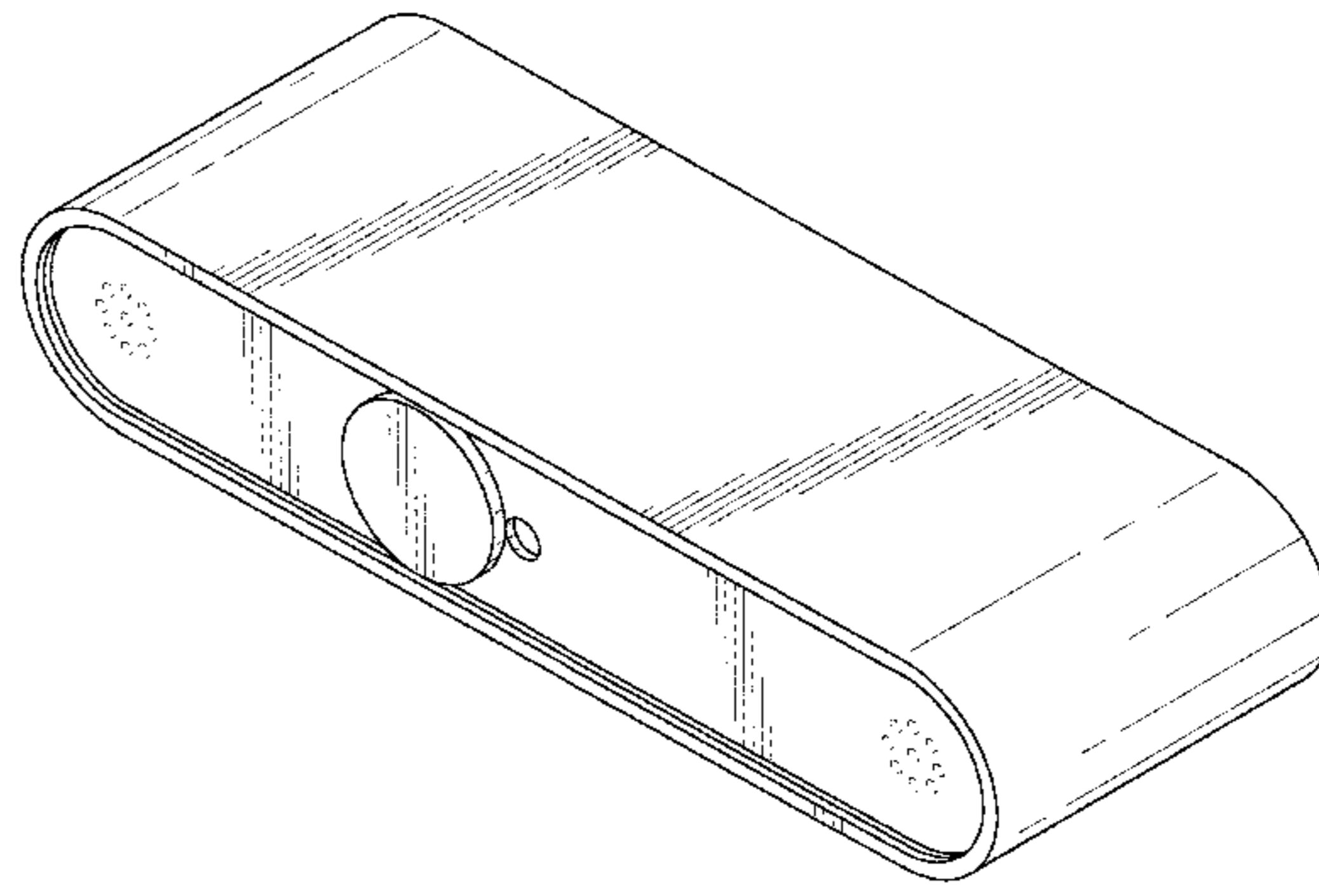
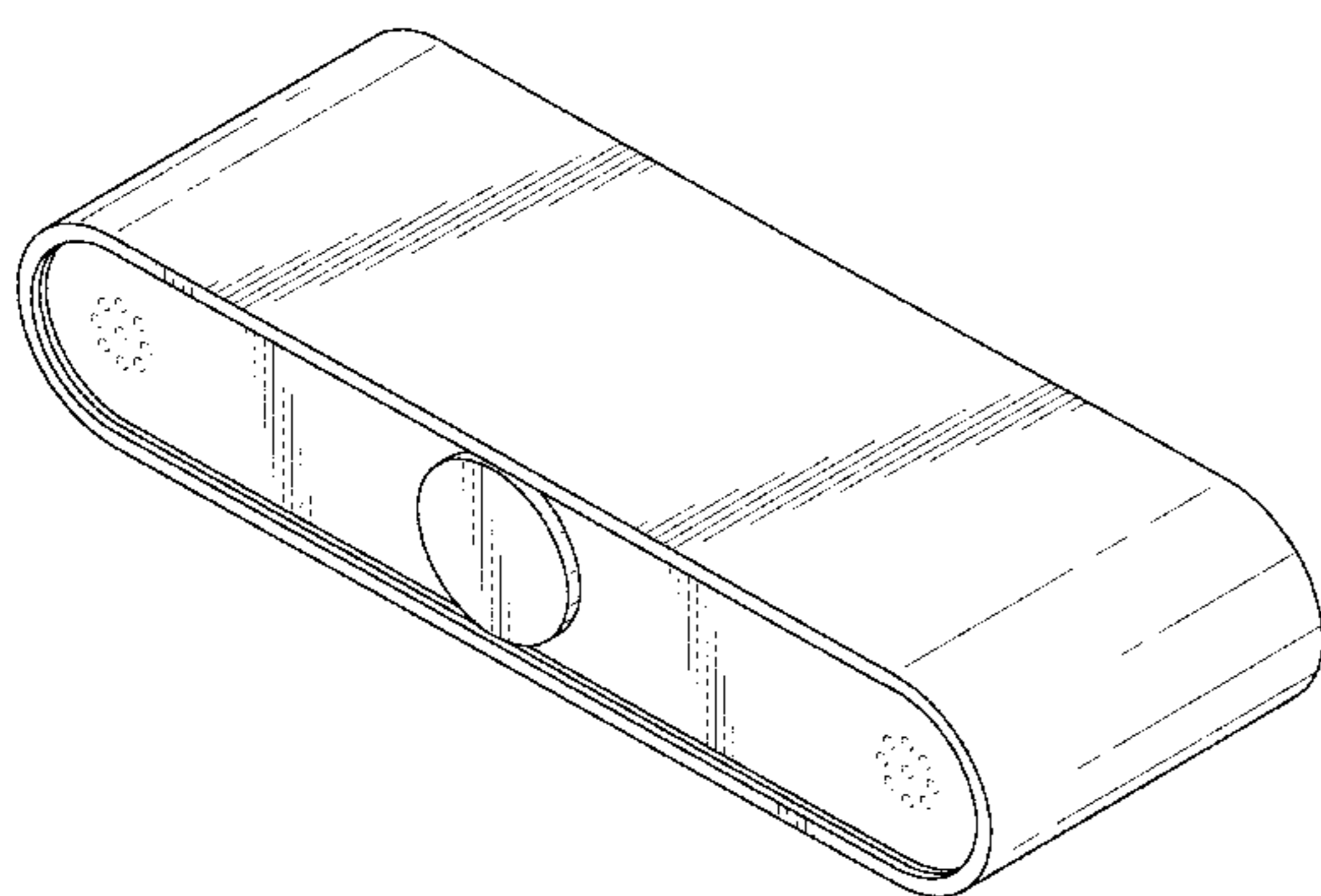
FIG. 6 is a front elevation view of the smart media box with lens and microphones, showing the lens cover in a closed position.

FIG. 7 is a front elevation view of the smart media box with lens and microphones, showing the lens cover in an open position; and,

FIG. 8 is a rear elevation view of the smart media box with lens and microphones.

The broken lines depict portions of a smart media box with lens and microphones in which the design is embodied and form no part of the claimed design.

**1 Claim, 3 Drawing Sheets**



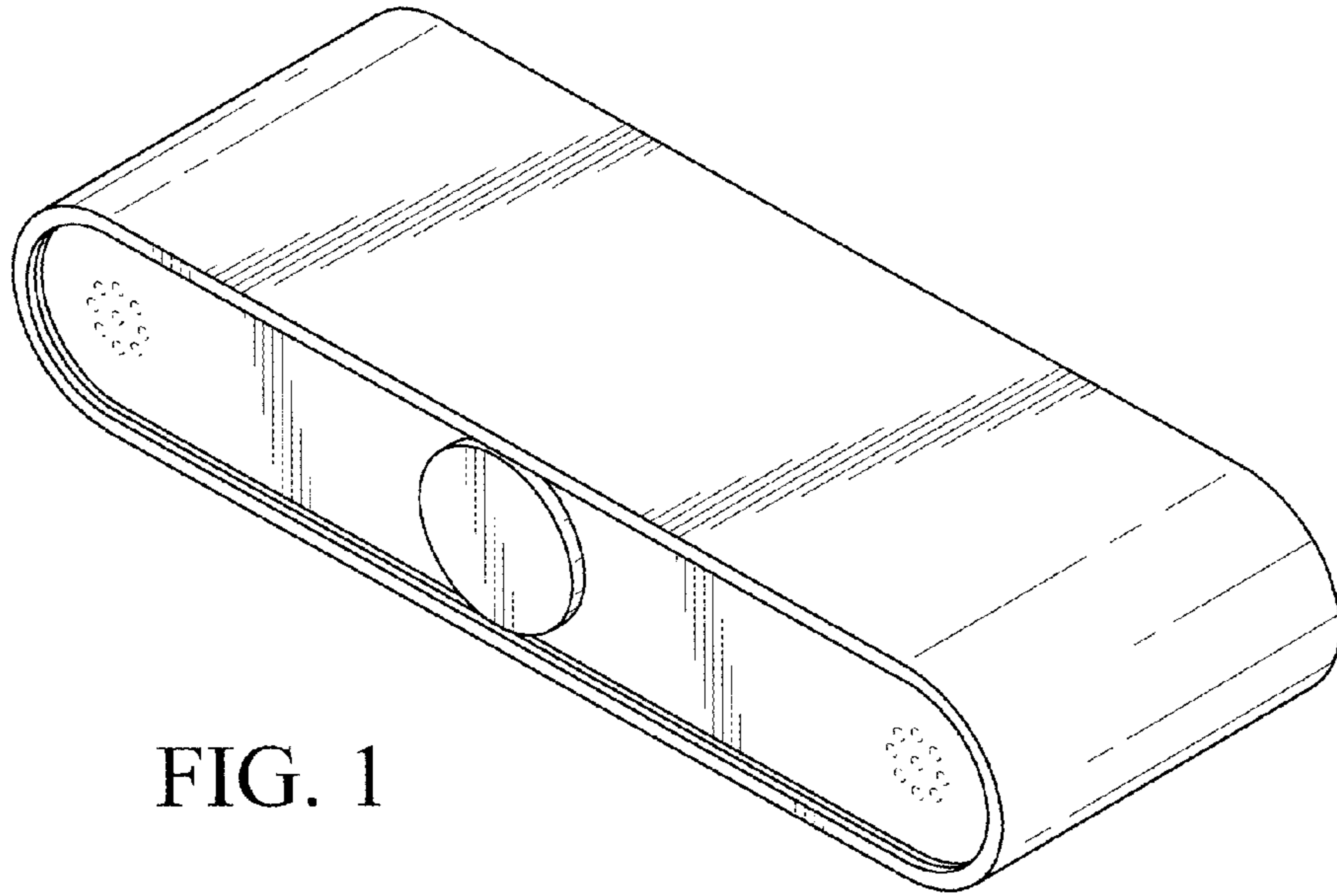


FIG. 1

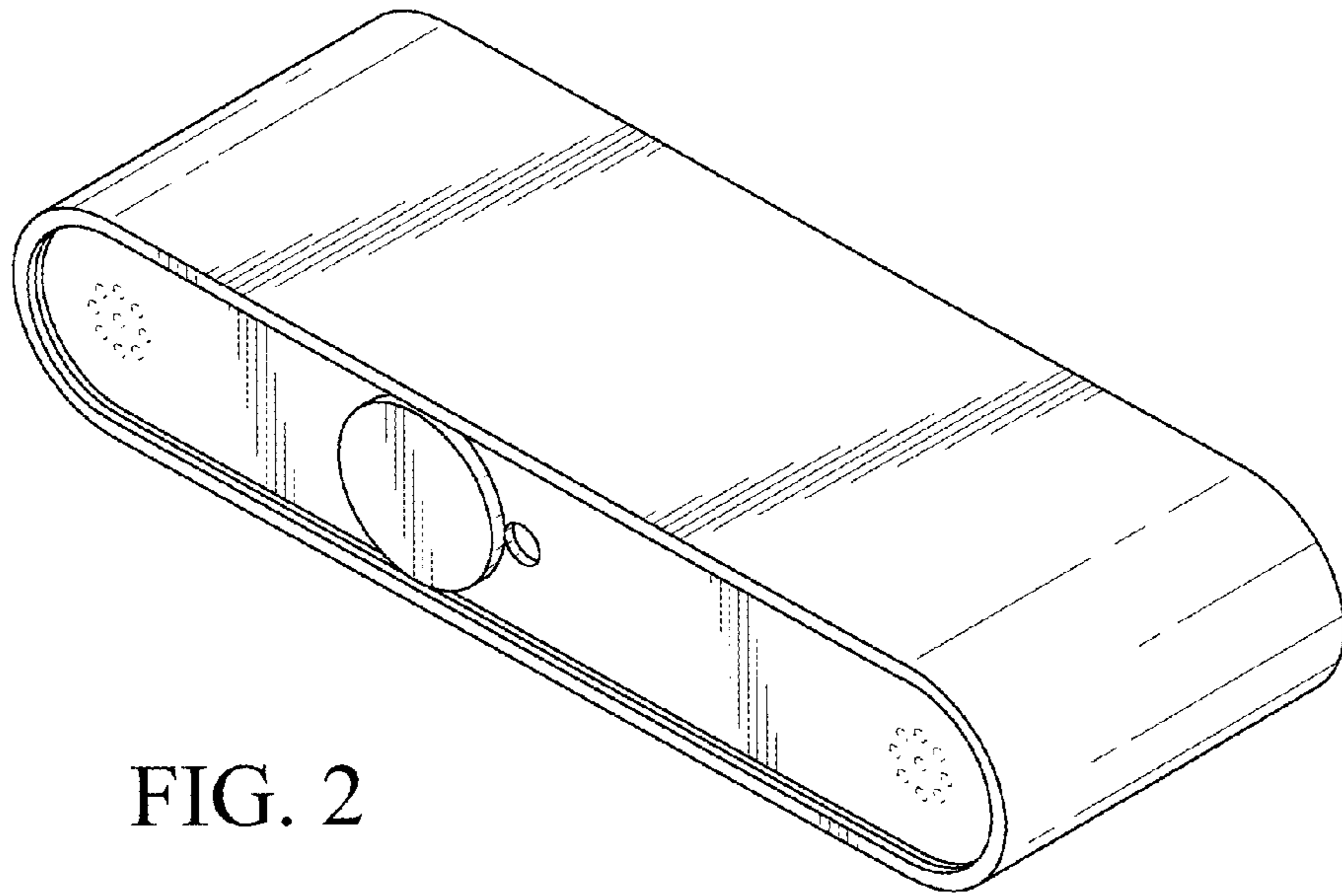


FIG. 2

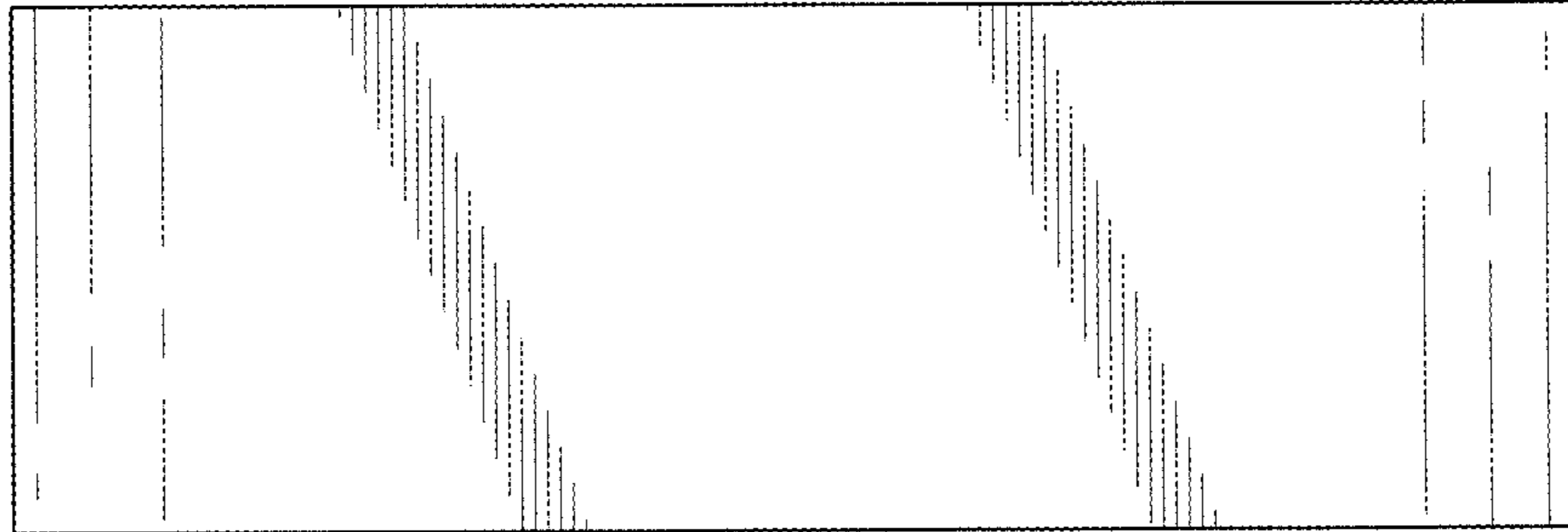


FIG. 3

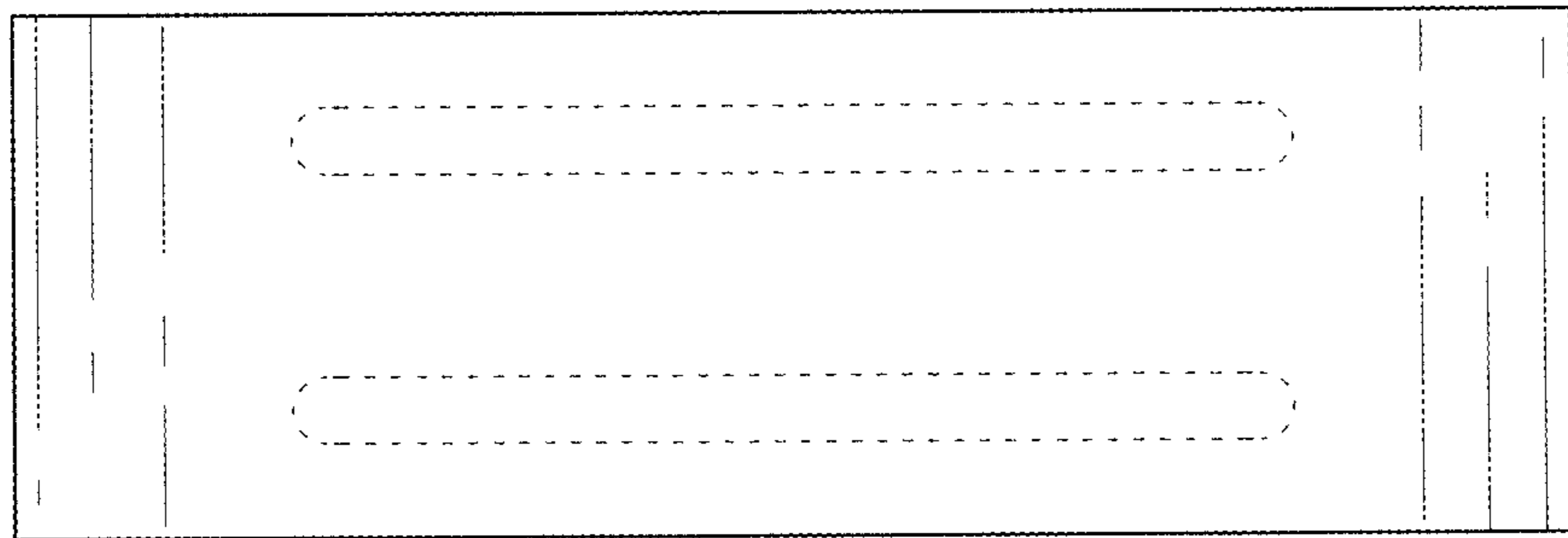


FIG. 4

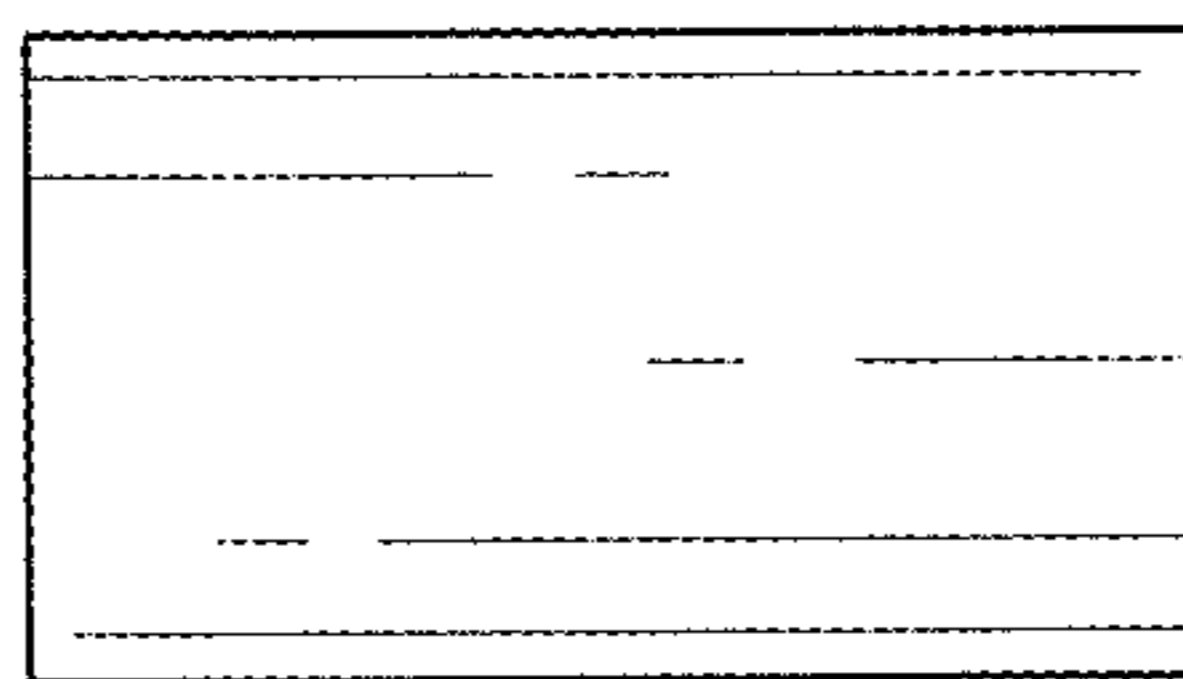


FIG. 5

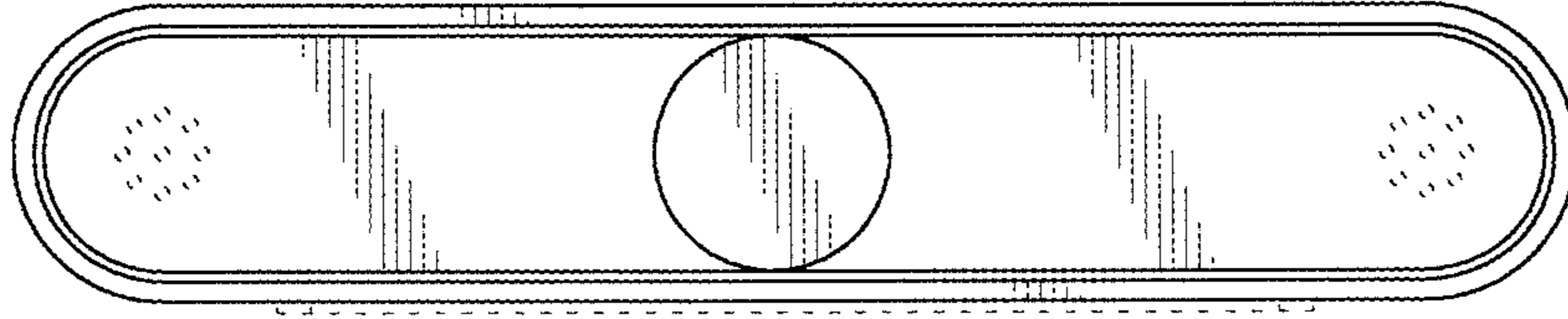


FIG. 6

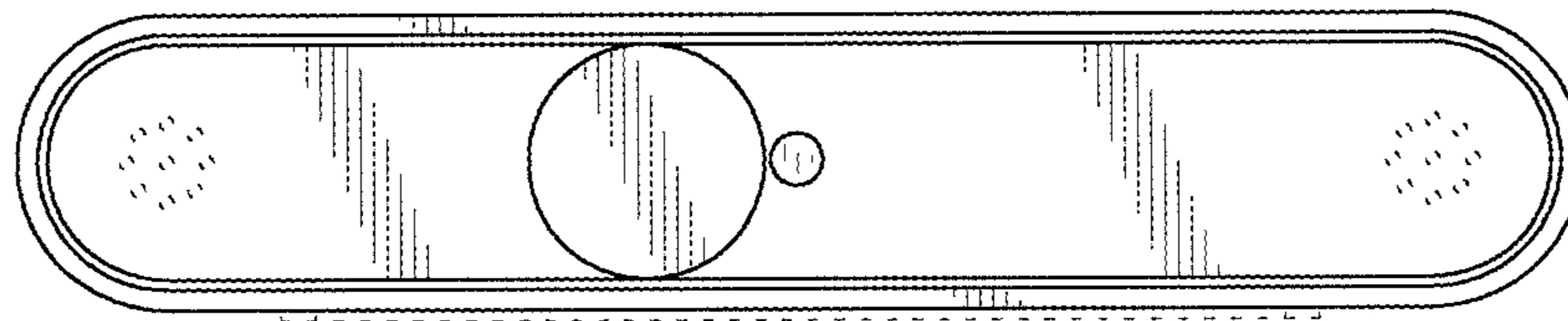


FIG. 7

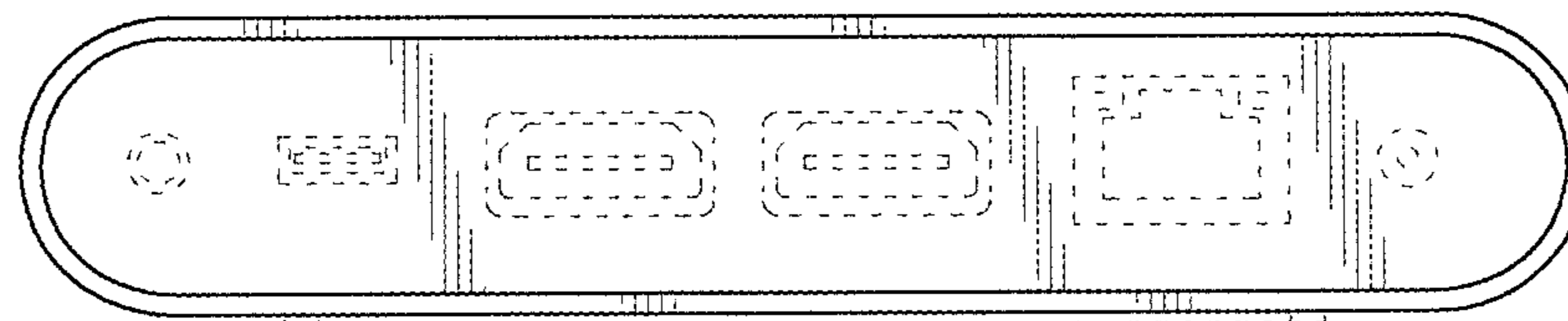


FIG. 8