



US00D775678S

(12) **United States Design Patent**
Cockley

(10) **Patent No.:** **US D775,678 S**

(45) **Date of Patent:** **** Jan. 3, 2017**

- (54) **VERTICAL PRISM BAR**
- (71) Applicant: **Sean Cockley**, Hatboro, PA (US)
- (72) Inventor: **Sean Cockley**, Hatboro, PA (US)
- (73) Assignee: **GULDEN OPHTHALMICS INC.**,
Elkins Park, PA (US)
- (**) Term: **15 Years**
- (21) Appl. No.: **29/534,671**
- (22) Filed: **Jul. 30, 2015**
- (51) **LOC (10) Cl.** **16-06**
- (52) **U.S. Cl.**
USPC **D16/137**
- (58) **Field of Classification Search**
USPC 351/159.17, 159.45, 159.58, 170, 175,
351/200-204, 208, 207, 216;
D16/130-137
See application file for complete search history.

- 5,002,383 A * 3/1991 Sisler G02C 7/14
351/159.58
- 5,546,235 A * 8/1996 Park G02B 3/08
359/511
- D399,366 S * 10/1998 Stravitz D6/407
- 5,839,970 A * 11/1998 Lombardo A63B 69/3685
351/178
- 6,164,461 A * 12/2000 Ward G11B 33/0461
211/40
- D484,331 S * 12/2003 Peyker D6/630
- D529,313 S * 10/2006 Nomoto D6/675.3
- D533,735 S * 12/2006 Carlsson D6/682.2
- D608,806 S * 1/2010 Chern D16/101

(Continued)

Primary Examiner — Susan Bennett Hattan

Assistant Examiner — Jennifer Wright

(57) **CLAIM**

The ornamental design for vertical prism bar, as shown and described.

DESCRIPTION

FIG. 1 is a front, right, top perspective view of a vertical prism bar showing my new design;
 FIG. 2 is a front, right, bottom perspective view thereof;
 FIG. 3 is a front, left, top perspective view thereof;
 FIG. 4 is a back, left, top perspective view thereof;
 FIG. 5 is a front elevational view thereof;
 FIG. 6 is a rear elevational view thereof;
 FIG. 7 is a left side elevational view thereof;
 FIG. 8 is a right side elevational view thereof;
 FIG. 9 is a bottom plan view thereof; and,
 FIG. 10 is a top plan view thereof.

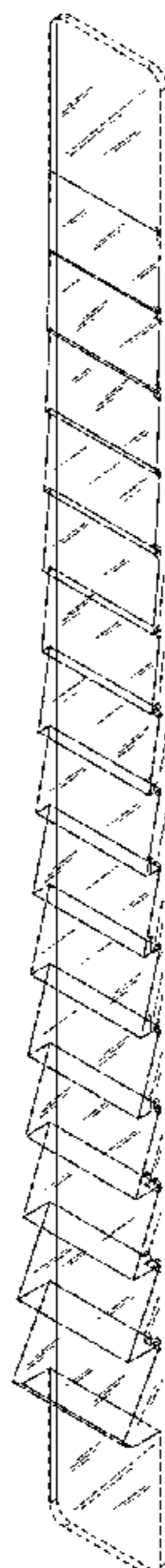
The broken line showing of both the top edge and the bottom edge are included for the purpose of illustrating environmental structure and forms no part of the claimed design.

1 Claim, 10 Drawing Sheets

(56) **References Cited**

U.S. PATENT DOCUMENTS

- 2,229,410 A * 1/1941 Gulden A61B 3/02
351/203
- 3,628,854 A * 12/1971 Jampolsky G02C 5/001
351/159.58
- 3,948,191 A * 4/1976 Hatherley A47B 43/00
108/100
- D242,890 S * 1/1977 Hillman D6/675.3
- D243,288 S * 2/1977 Jampolsky D24/172
- D257,104 S * 9/1980 Fortuin D6/675.4
- D283,862 S * 5/1986 Edson D6/677.4
- 4,632,092 A * 12/1986 Clegg F24J 2/062
126/698
- D296,630 S * 7/1988 Renold D6/675.3



(56)

References Cited

U.S. PATENT DOCUMENTS

7,969,645	B2 *	6/2011	Wik	G02B 3/08 351/159.03
2001/0033363	A1 *	10/2001	Chateau	G02C 7/041 351/216
2007/0097316	A1 *	5/2007	Peli	G02C 7/14 351/159.17
2014/0111764	A1 *	4/2014	Lai	A61B 3/032 351/201
2016/0004101	A1 *	1/2016	Peli	G02C 7/14 351/159.58

* cited by examiner

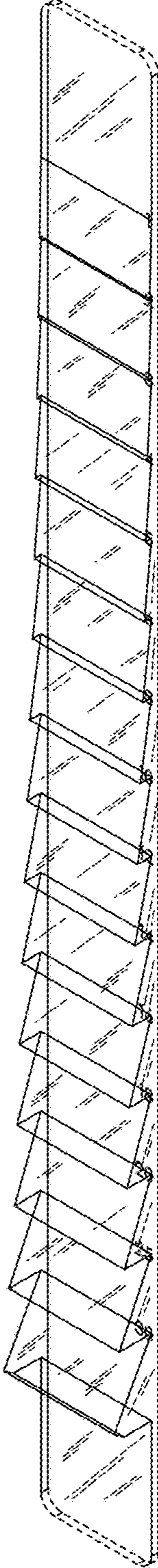


FIG. 1

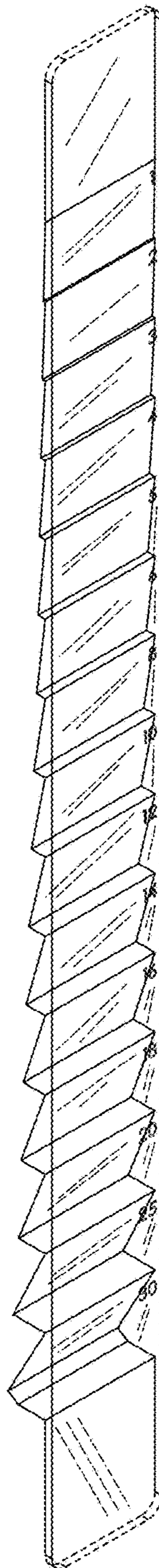


FIG. 2

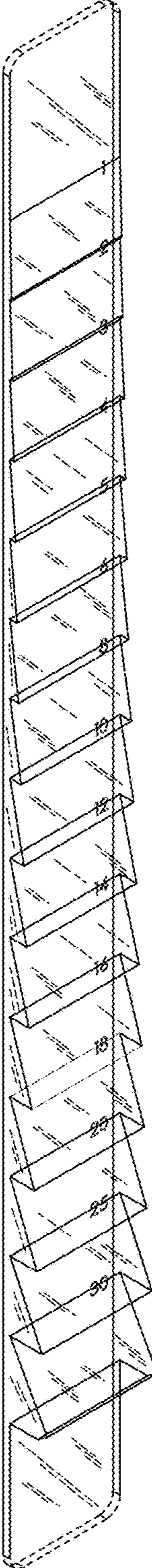


FIG. 3

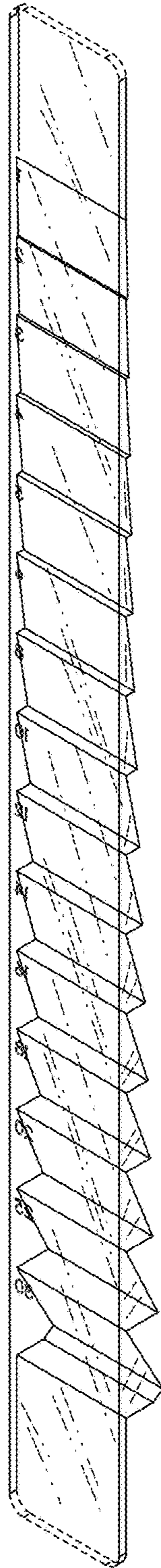


FIG. 4

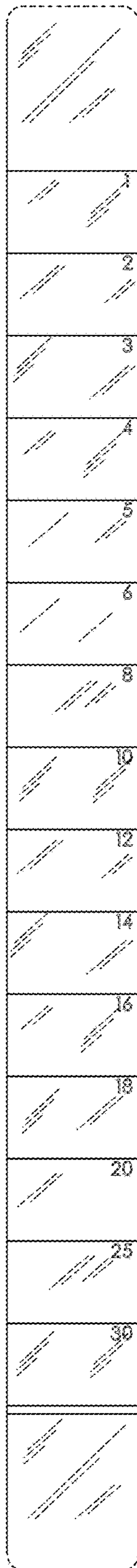


FIG. 5

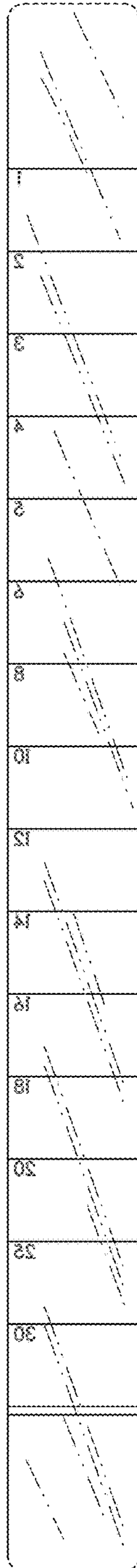


FIG. 6

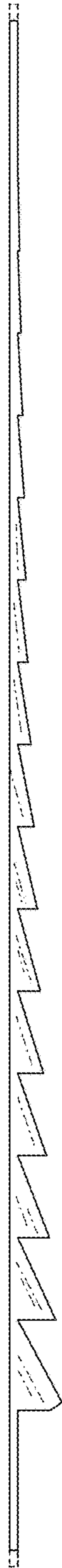


FIG. 7



FIG. 8

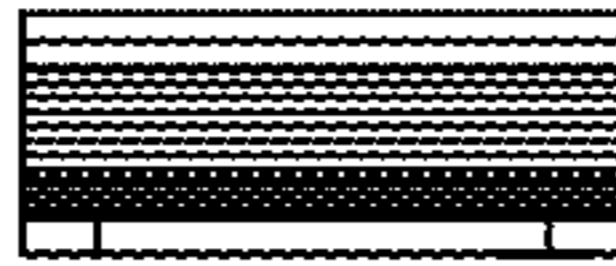


FIG. 9

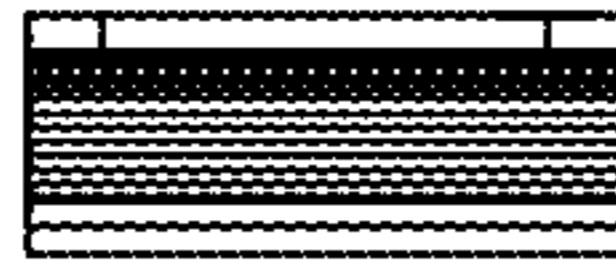


FIG. 10