



US00D775677S

(12) **United States Design Patent**
Jørgensen

(10) **Patent No.:** **US D775,677 S**
(45) **Date of Patent:** **** Jan. 3, 2017**

(54) **LINEAR ACTUATOR ACCESSORY**

(71) Applicant: **LINAK A/S**, Nordborg (DK)

(72) Inventor: **Rolf Jørgensen**, Middelfart (DK)

(73) Assignee: **Linak A/S**, Nordborg (DK)

(**) Term: **14 Years**

(21) Appl. No.: **29/526,694**

(22) Filed: **May 12, 2015**

(30) **Foreign Application Priority Data**

Nov. 12, 2014 (DK) 2014 00110

(51) **LOC (10) Cl.** **15-09**

(52) **U.S. Cl.**
USPC **D15/143**

(58) **Field of Classification Search**
USPC D13/118, 158, 162, 184; D15/1-5, 7, 9,
D15/143, 148, 149, 199

See application file for complete search history.

(56) **References Cited**

U.S. PATENT DOCUMENTS

- D289,164 S * 4/1987 Carr D14/231
- D394,328 S * 5/1998 Palumbo D28/7
- D465,797 S * 11/2002 Landerholm D15/143
- D467,950 S * 12/2002 Christensen D15/148
- D487,902 S * 3/2004 Nielsen D15/143
- D509,520 S * 9/2005 Klinke D15/143
- D524,335 S * 7/2006 Klinke D15/143
- D534,560 S * 1/2007 Klinke D15/143
- D572,281 S * 7/2008 Wei D15/143
- D623,800 S * 9/2010 Clemons D28/46
- D624,947 S * 10/2010 Christensen D15/143
- D654,871 S * 2/2012 Parsadayan D13/112

- D695,799 S * 12/2013 Landerholm D15/143
- D702,271 S * 4/2014 Lin D15/143
- D719,595 S * 12/2014 Landerholm D15/143
- D738,413 S * 9/2015 Randlov D15/143
- 2008/0190225 A1* 8/2008 Pfister B23Q 5/40
74/89.23
- 2011/0174092 A1* 7/2011 Butsuen B60J 7/0573
74/25
- 2012/0227523 A1* 9/2012 Tseng B23Q 1/621
74/89.23
- 2015/0068332 A1* 3/2015 Bakken H02G 3/0406
74/25

(Continued)

FOREIGN PATENT DOCUMENTS

WO 0229284 4/2002

Primary Examiner — Patricia Palasik

(74) *Attorney, Agent, or Firm* — Dykema Gossett PLLC

(57) **CLAIM**

The ornamental design for a linear actuator accessory, as shown and described.

DESCRIPTION

FIG. 1 is a perspective top view of my new and ornamental design for a linear actuator accessory control box.

FIG. 2 is a perspective bottom view thereof,

FIG. 3 is a perspective top view identical to FIG. 1 but with its cover in an opened state,

FIG. 4 is a top plan view thereof,

FIG. 5 is an elevational left side view thereof,

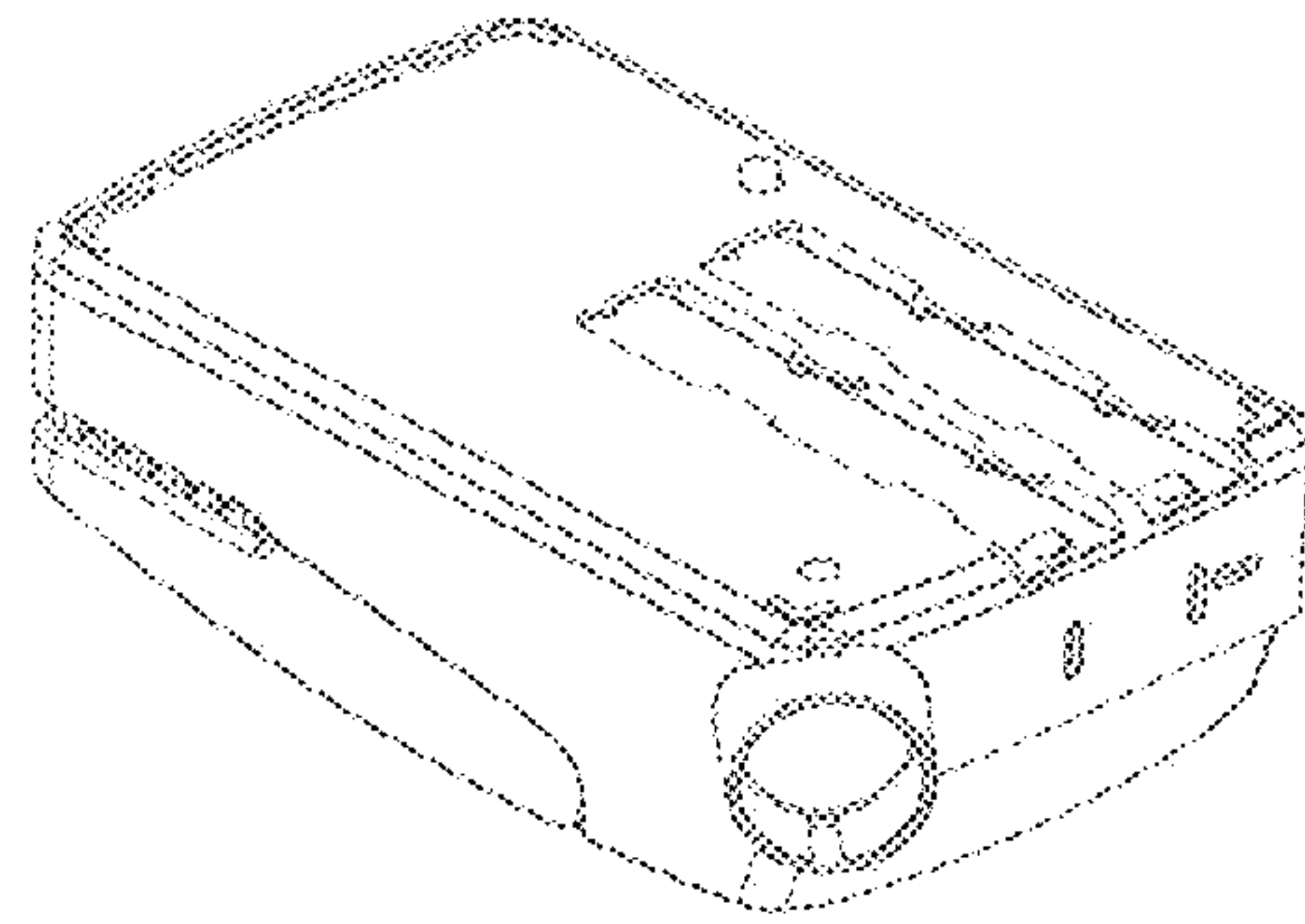
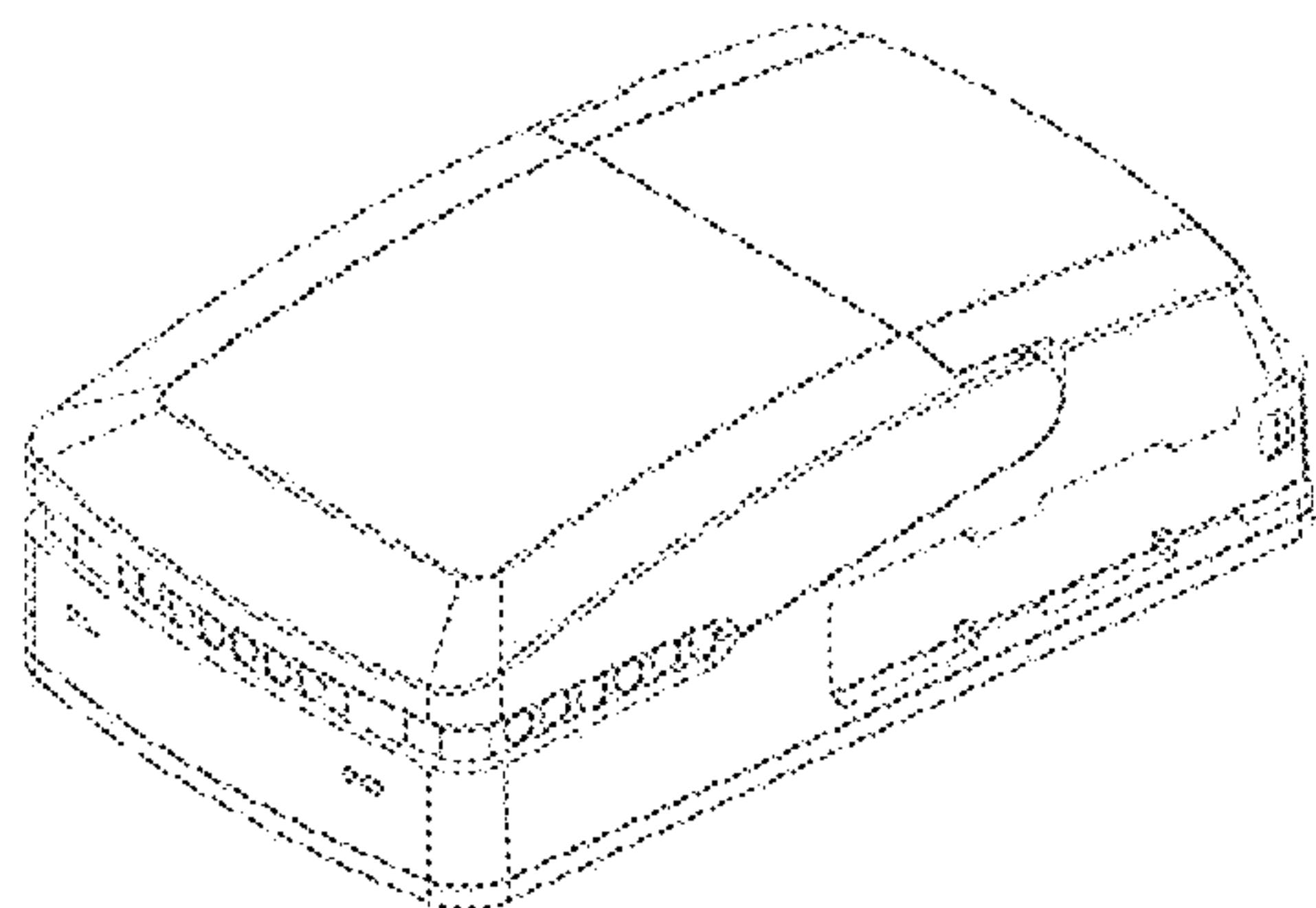
FIG. 6 is an elevational right side view thereof,

FIG. 7 is a bottom plan view thereof,

FIG. 8 is an elevational front view thereof; and,

FIG. 9 is an elevational rear view thereof.

1 Claim, 3 Drawing Sheets



(56)

References Cited

U.S. PATENT DOCUMENTS

2015/0330486 A1* 11/2015 Hu F16H 25/20
74/89.14
2015/0354679 A1* 12/2015 Oberndorfer F16H 25/20
74/89.23
2016/0047446 A1* 2/2016 Hung F16H 25/2056
74/89.35

* cited by examiner

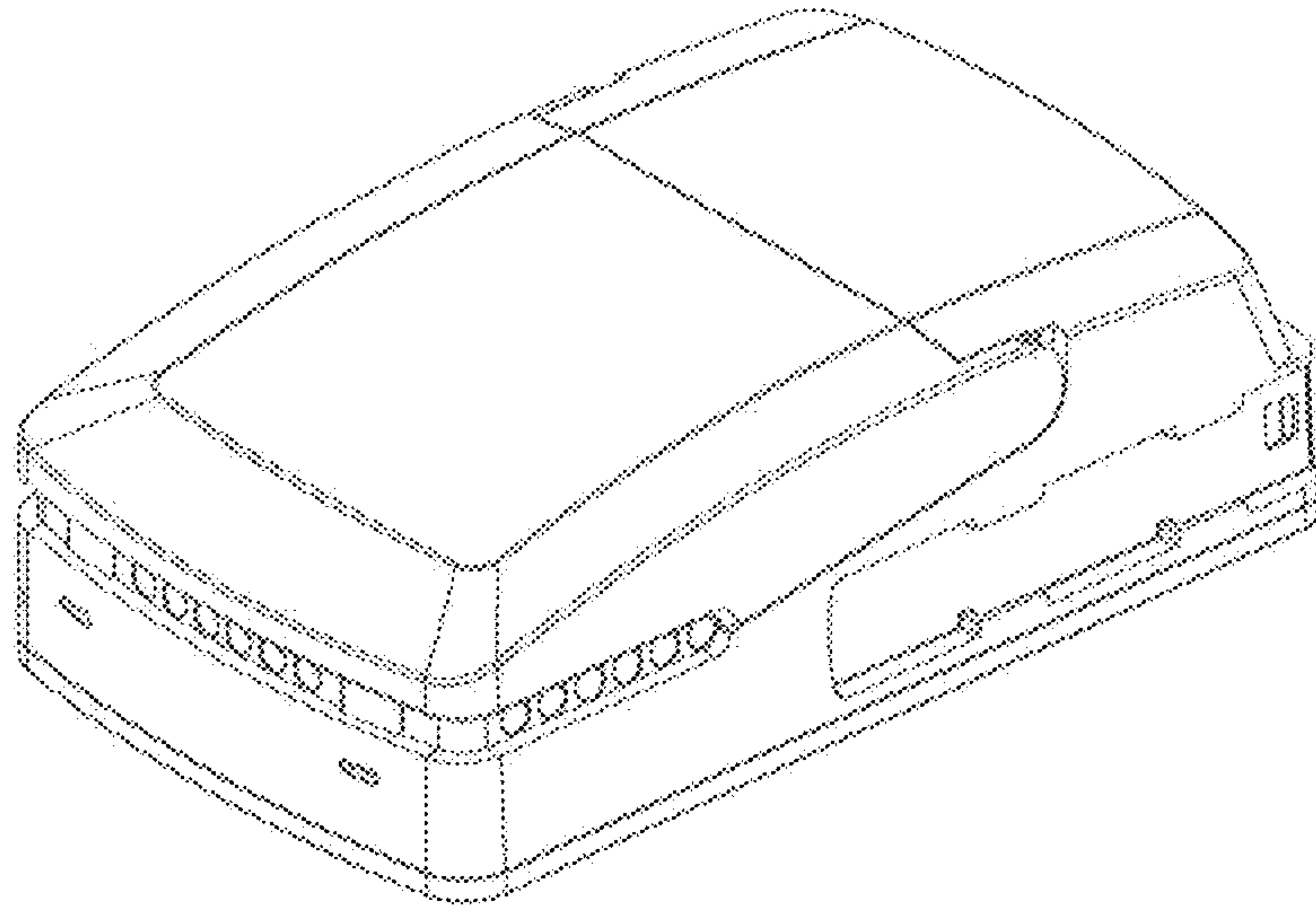


FIG. 1

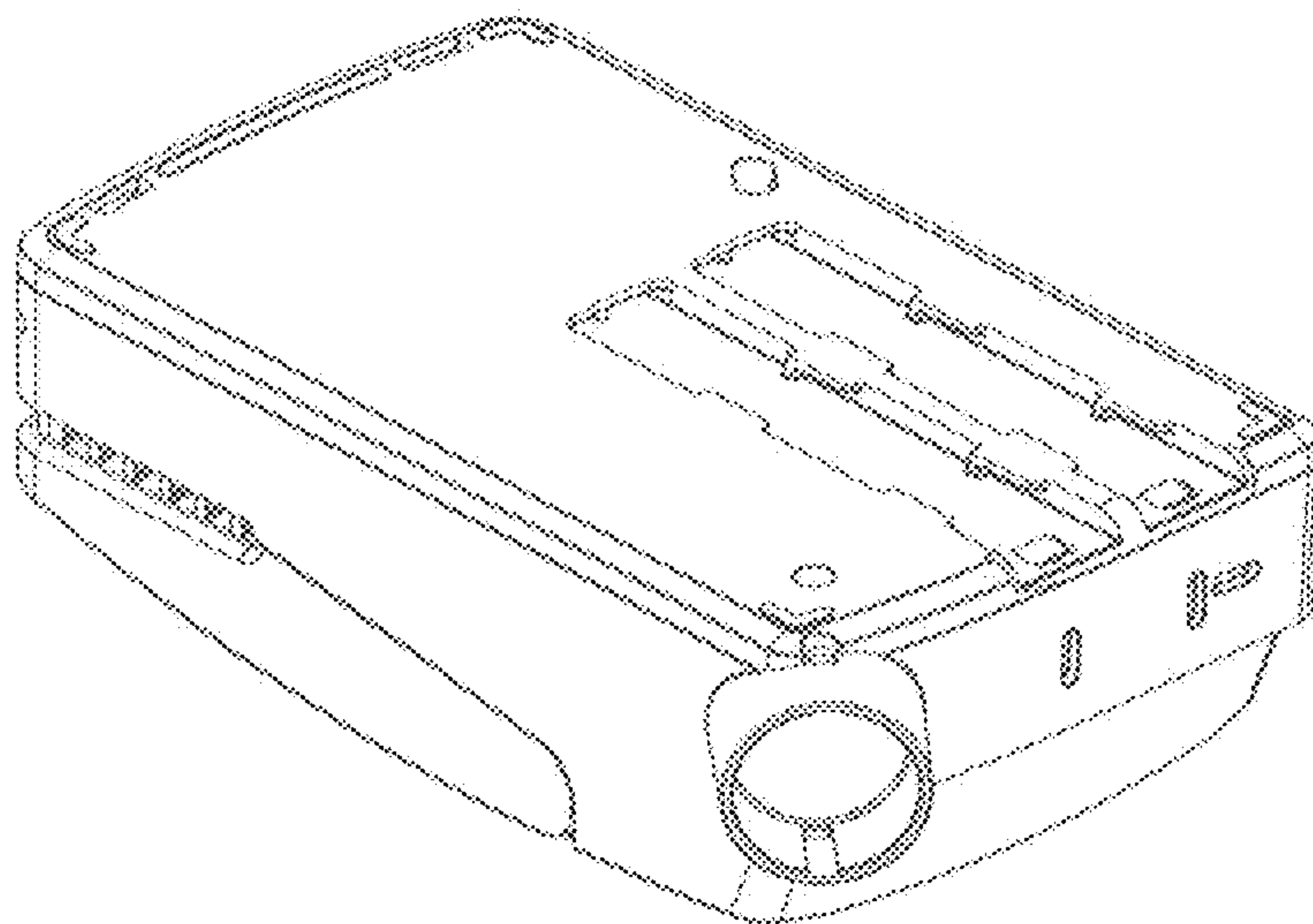


FIG. 2

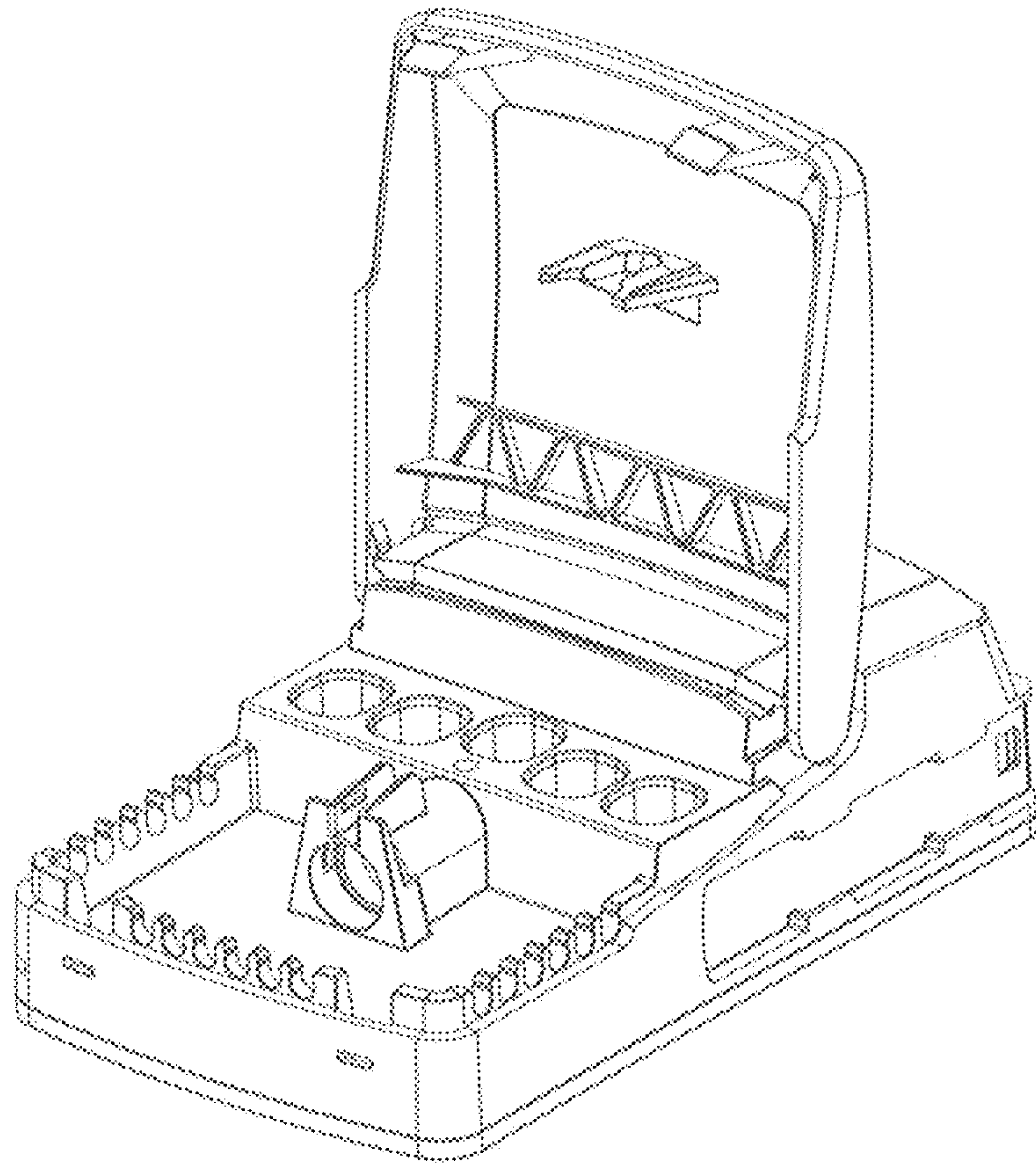


FIG. 3

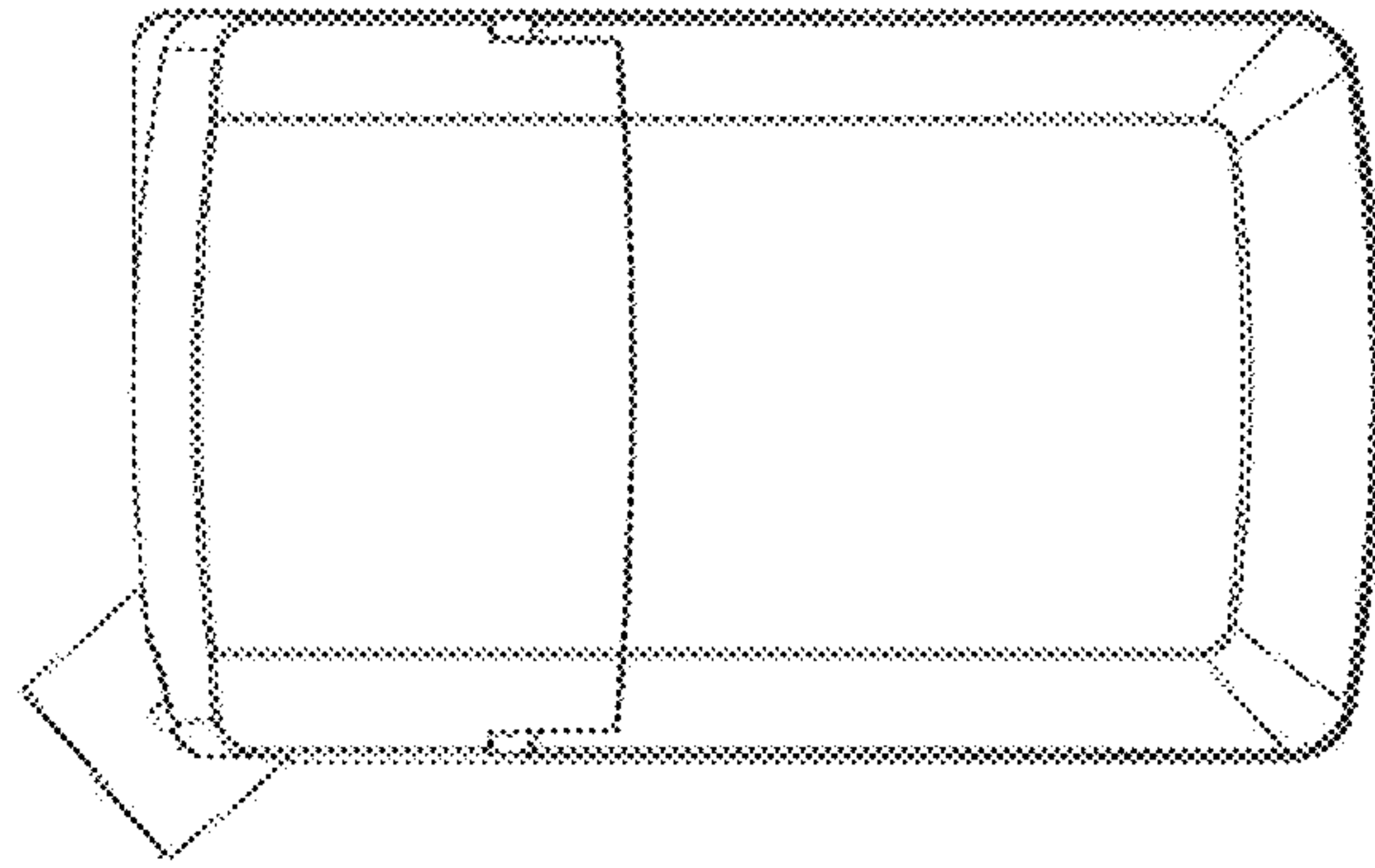


FIG. 4

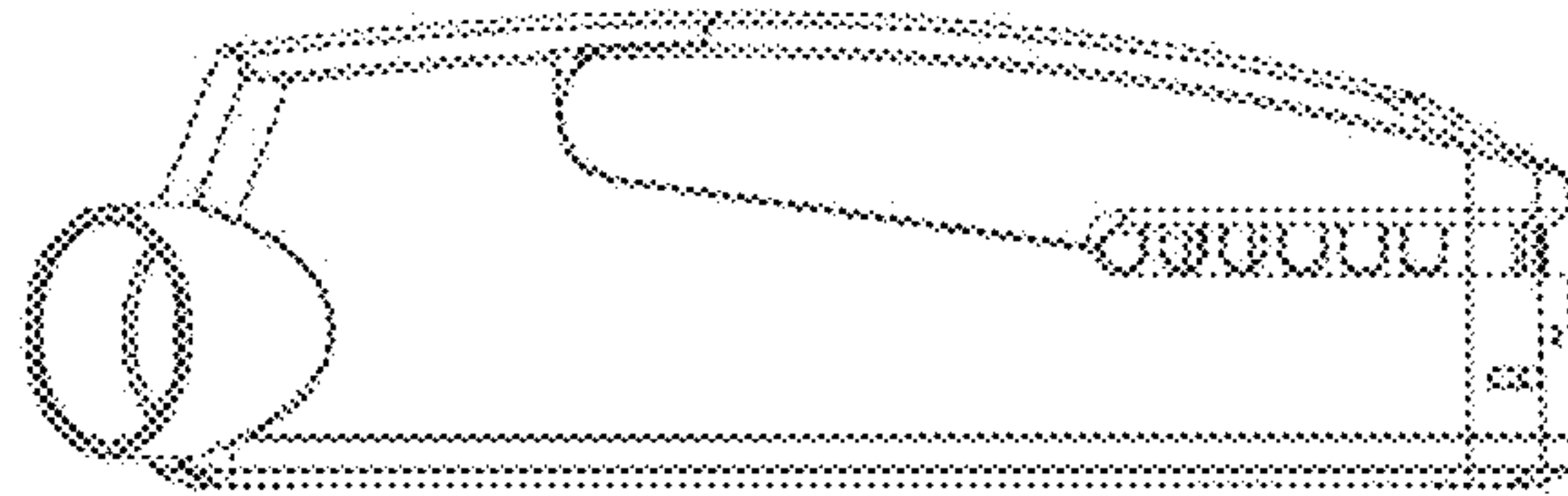


FIG. 5

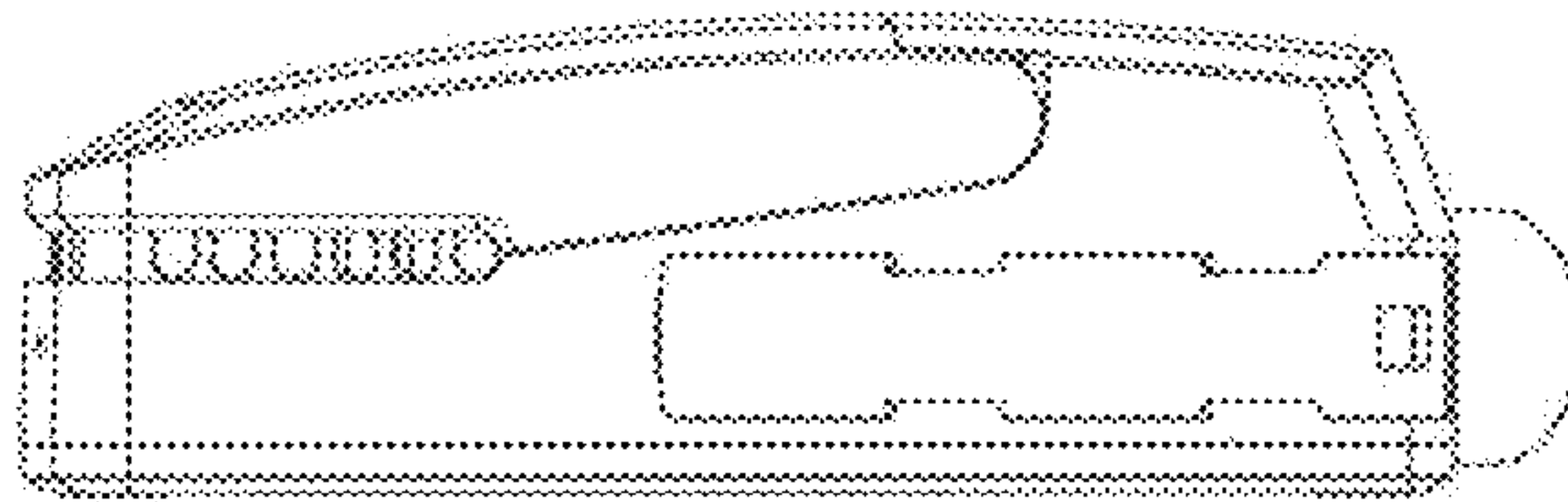


FIG. 6

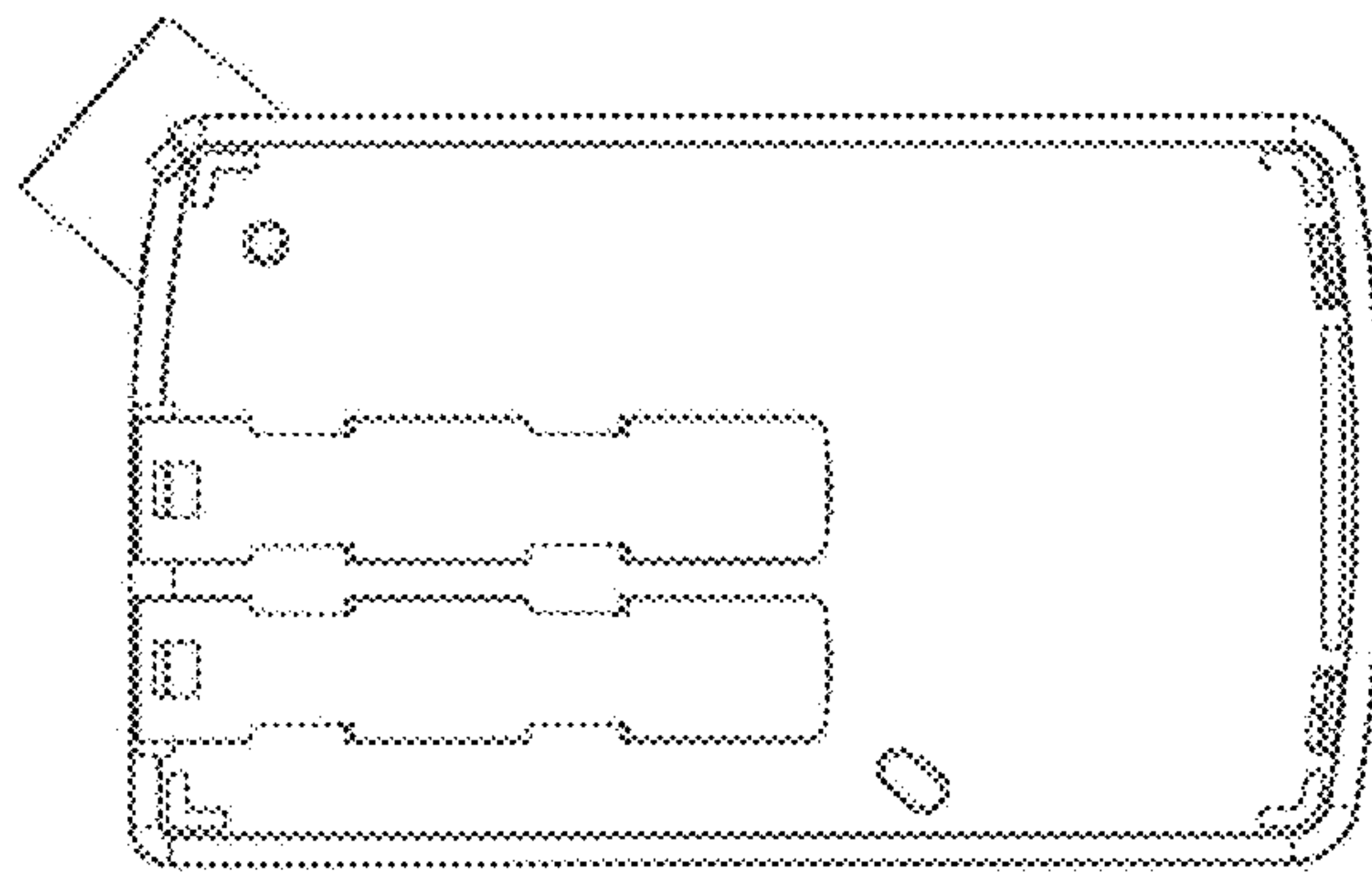


FIG. 7

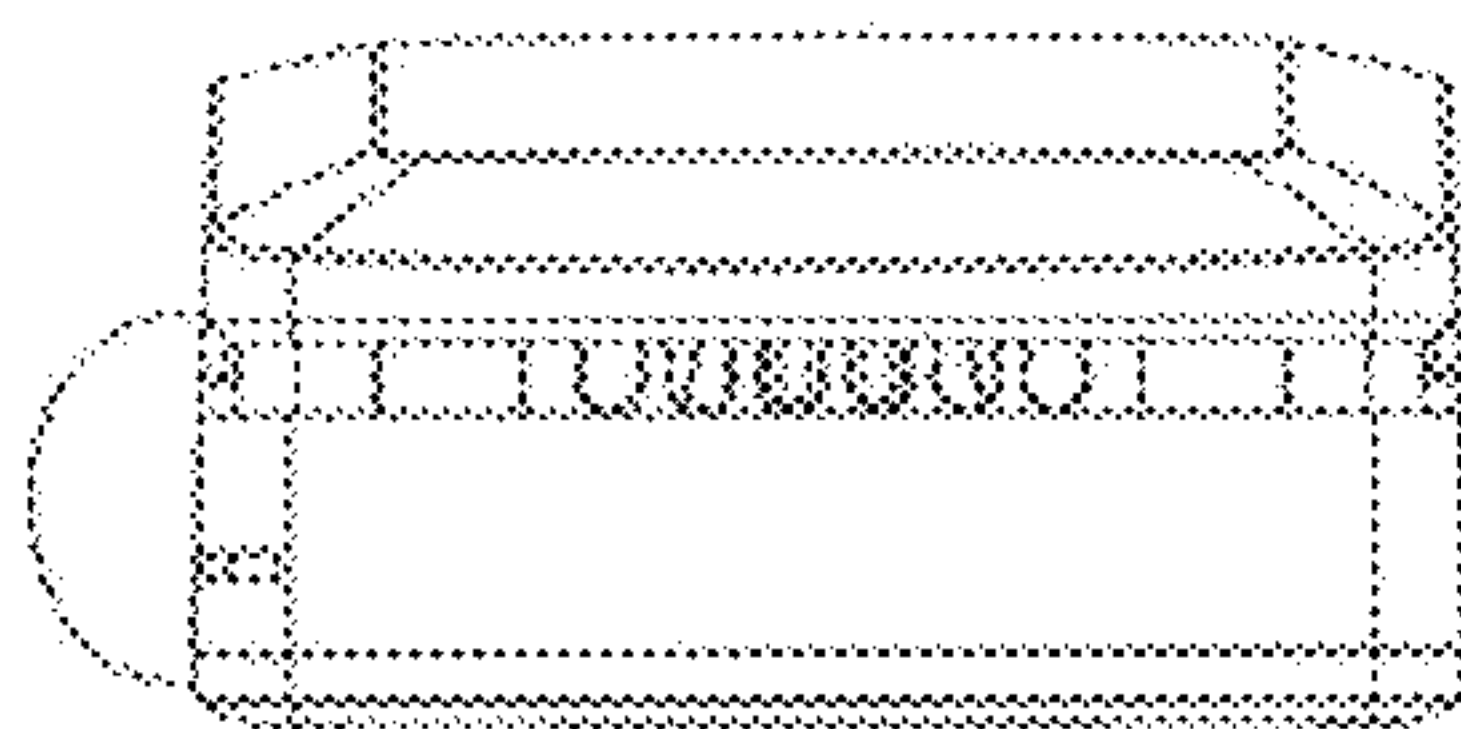


FIG. 8

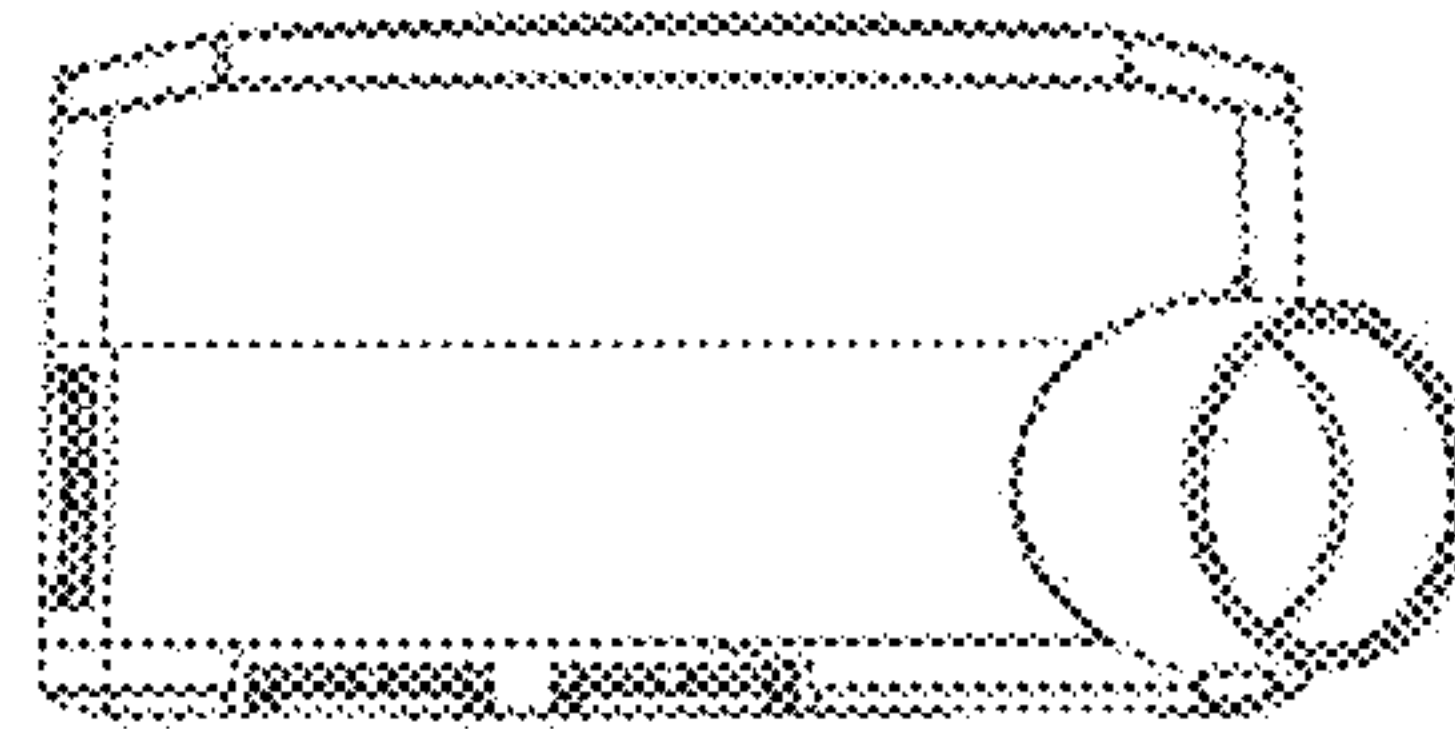


FIG. 9