



US00D775675S

(12) **United States Design Patent**  
**Kim et al.**

(10) **Patent No.:** **US D775,675 S**  
(45) **Date of Patent:** **\*\* Jan. 3, 2017**

(54) **REFRIGERATOR**

(71) Applicant: **Samsung Electronics Co., Ltd.**,  
Suwon-si, Gyeonggi-do (KR)  
(72) Inventors: **Kisoo Kim**, Gunpo-si (KR); **Sanghoon Lee**, Seoul (KR); **Yeonjin Jo**, Suwon-si (KR)  
(73) Assignee: **SAMSUNG ELECTRONICS CO., LTD.**, Gyeonggi-Do (KR)  
(\*\*) Term: **15 Years**

(21) Appl. No.: **29/541,829**

(22) Filed: **Oct. 8, 2015**

(30) **Foreign Application Priority Data**

Apr. 15, 2015 (KR) ..... 30-2015-0019190

(51) **LOC (10) Cl.** ..... **15-07**

(52) **U.S. Cl.**  
USPC ..... **D15/91**

(58) **Field of Classification Search**  
USPC ..... D15/79-91

CPC ..... F25D 25/025; F25D 23/028; F25D 25/02; F25D 23/04; F25D 23/067; F25D 23/02; F25D 23/025; F25D 2323/024; F25D 23/00; F25D 25/024; F25D 11/00; F25D 2323/021; F25D 23/065; F25D 23/069; F25D 2201/14; F25D 2323/023; F25D 25/022; F25D 25/04; F25D 29/005; F25D 17/047; F25D 17/065; F25D 2303/085; F25D 2317/041; F25D 2317/04131; F25D 2317/043; F25D 2317/062; F25D 2317/0664; F25D 2317/067; F25D 2321/147; F25D 2323/02; F25D 2323/122; F25D 23/126; F25D 31/002; F25D 2317/061; F25D 23/12; F25D 2400/06; F25D 11/02; F25D 2700/12; F25D 17/042; F25D 17/062; F25D 2317/063

See application file for complete search history.

(56) **References Cited**

U.S. PATENT DOCUMENTS

D716,350 S *	10/2014	Choi	.....	D15/91
D718,352 S *	11/2014	Lee	.....	D15/91
D730,958 S *	6/2015	Choi	.....	D15/91
D760,819 S *	7/2016	Lee	.....	D15/86
D760,820 S *	7/2016	Lee	.....	D15/91
D760,821 S *	7/2016	Lee	.....	D15/91
D760,822 S *	7/2016	Lee	.....	D15/91
D760,823 S *	7/2016	Lee	.....	D15/91
D760,824 S *	7/2016	Lee	.....	D15/91
D761,333 S *	7/2016	Lee	.....	D15/86
D761,334 S *	7/2016	Lee	.....	D15/86
D761,336 S *	7/2016	Lee	.....	D15/91

\* cited by examiner

*Primary Examiner* — Daniel Bui

*Assistant Examiner* — Khawaja Anwar

(74) *Attorney, Agent, or Firm* — Cantor Colburn LLP

(57) **CLAIM**

The ornamental design for a refrigerator, as shown and described.

**DESCRIPTION**

FIG. 1 is a perspective view of a refrigerator, showing our new design;  
FIG. 2 is a front view thereof;  
FIG. 3 is a rear view thereof;  
FIG. 4 is a side view thereof;  
FIG. 5 is another side view thereof;  
FIG. 6 is a top view thereof;  
FIG. 7 is a bottom view thereof; and,  
FIG. 8 is another perspective view thereof in an alternate configuration.  
The broken lines illustrating portions of the refrigerator form no part of the claimed design.

**1 Claim, 8 Drawing Sheets**

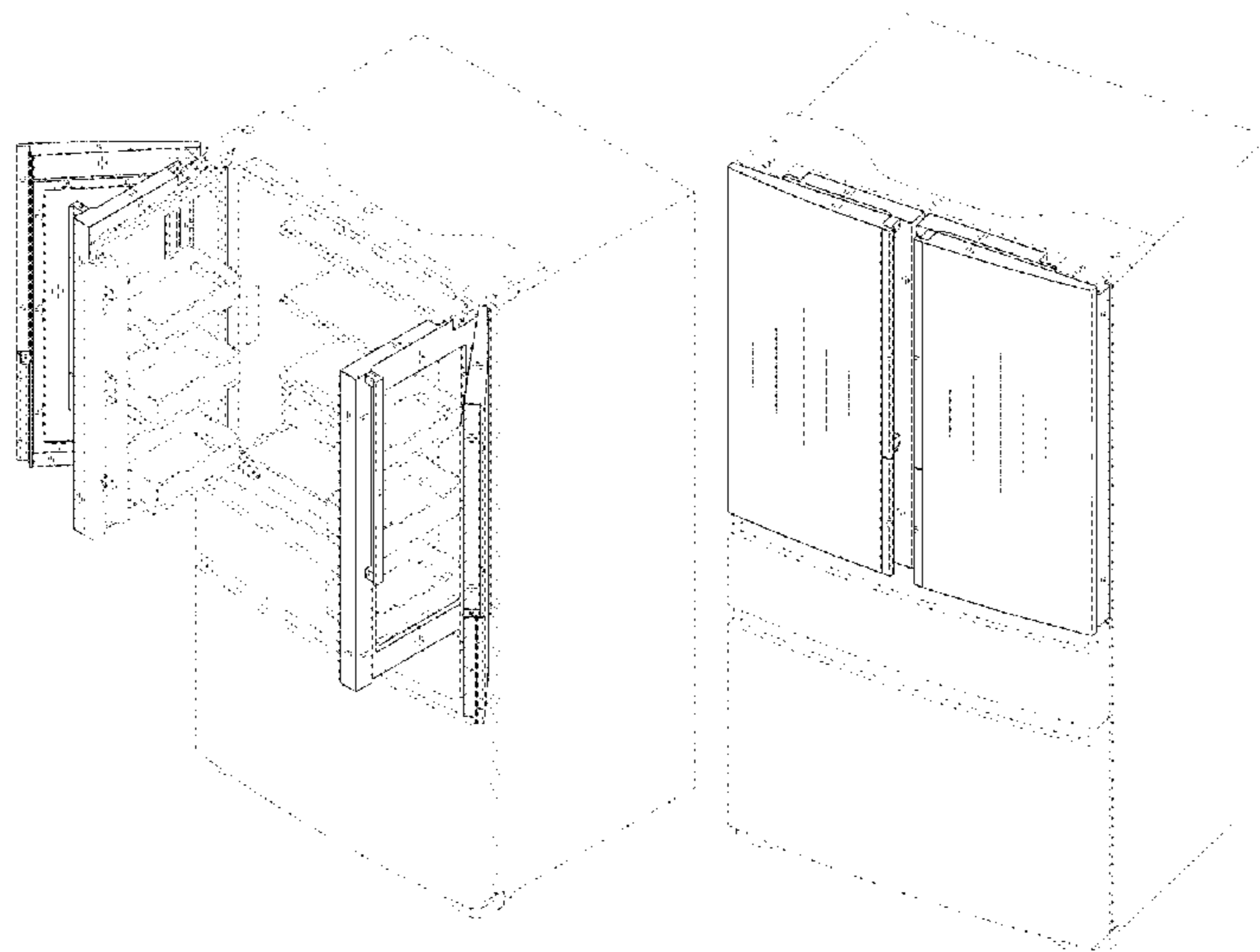


FIG. 1

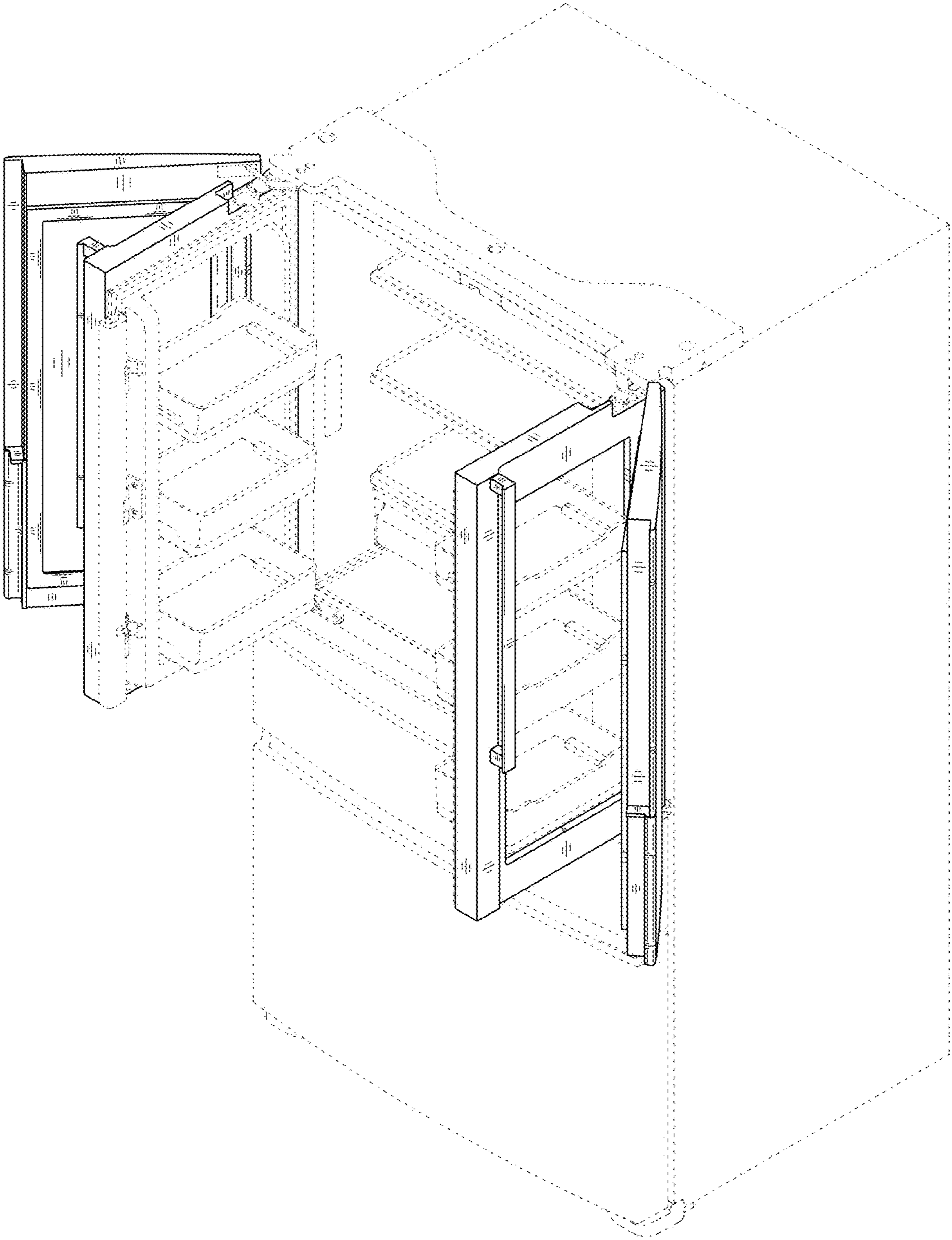


FIG. 2

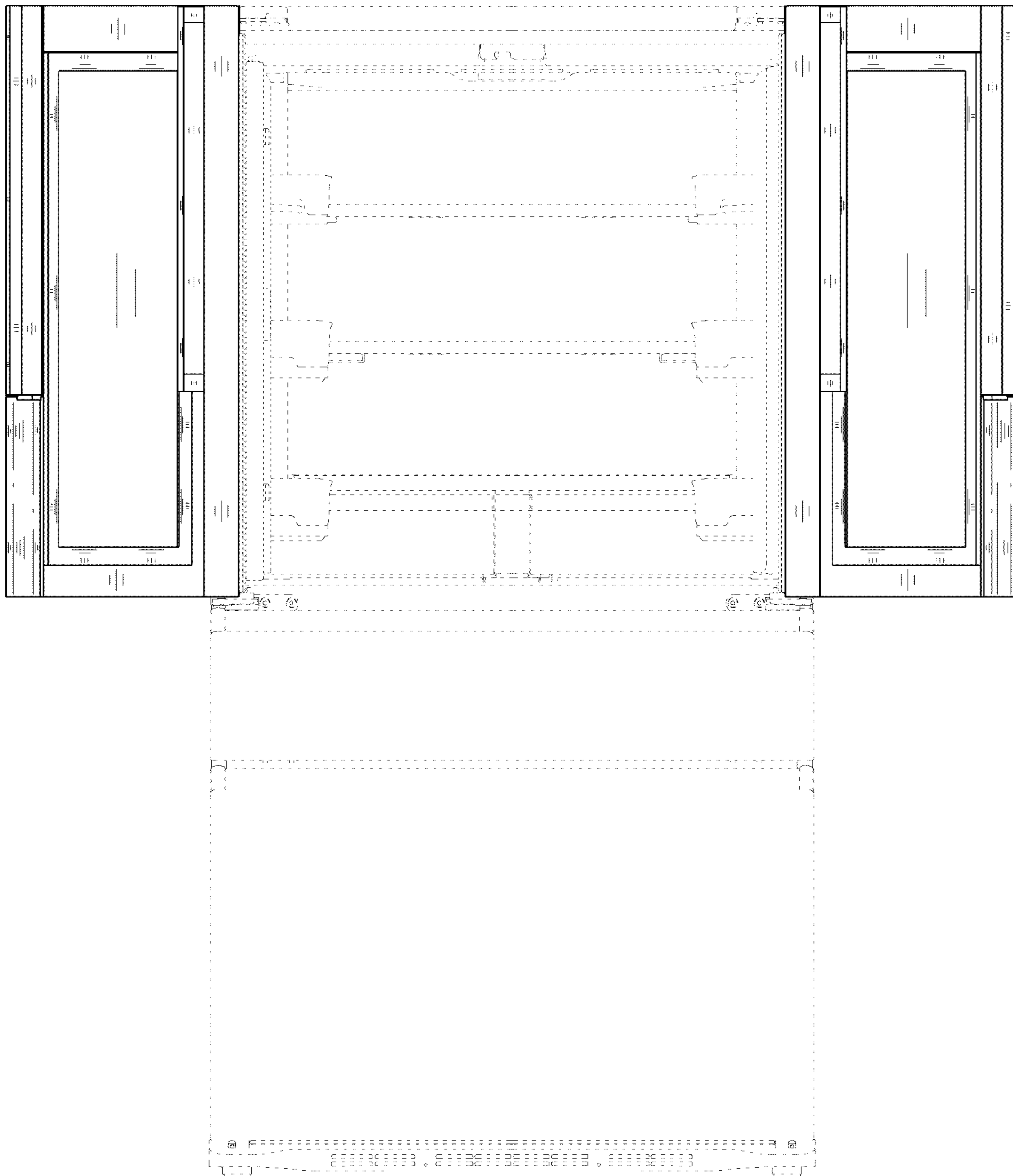


FIG. 3

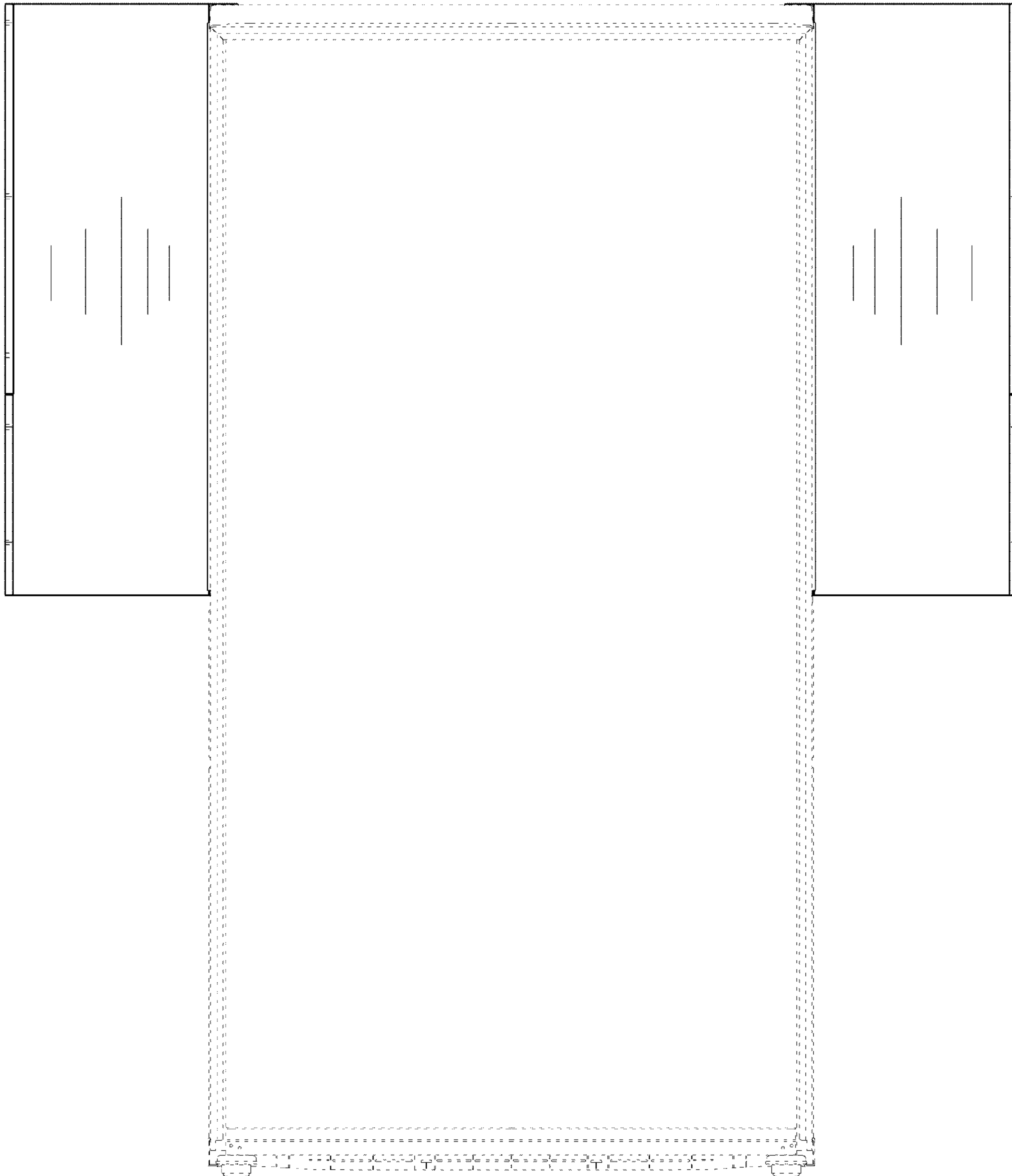


FIG. 4

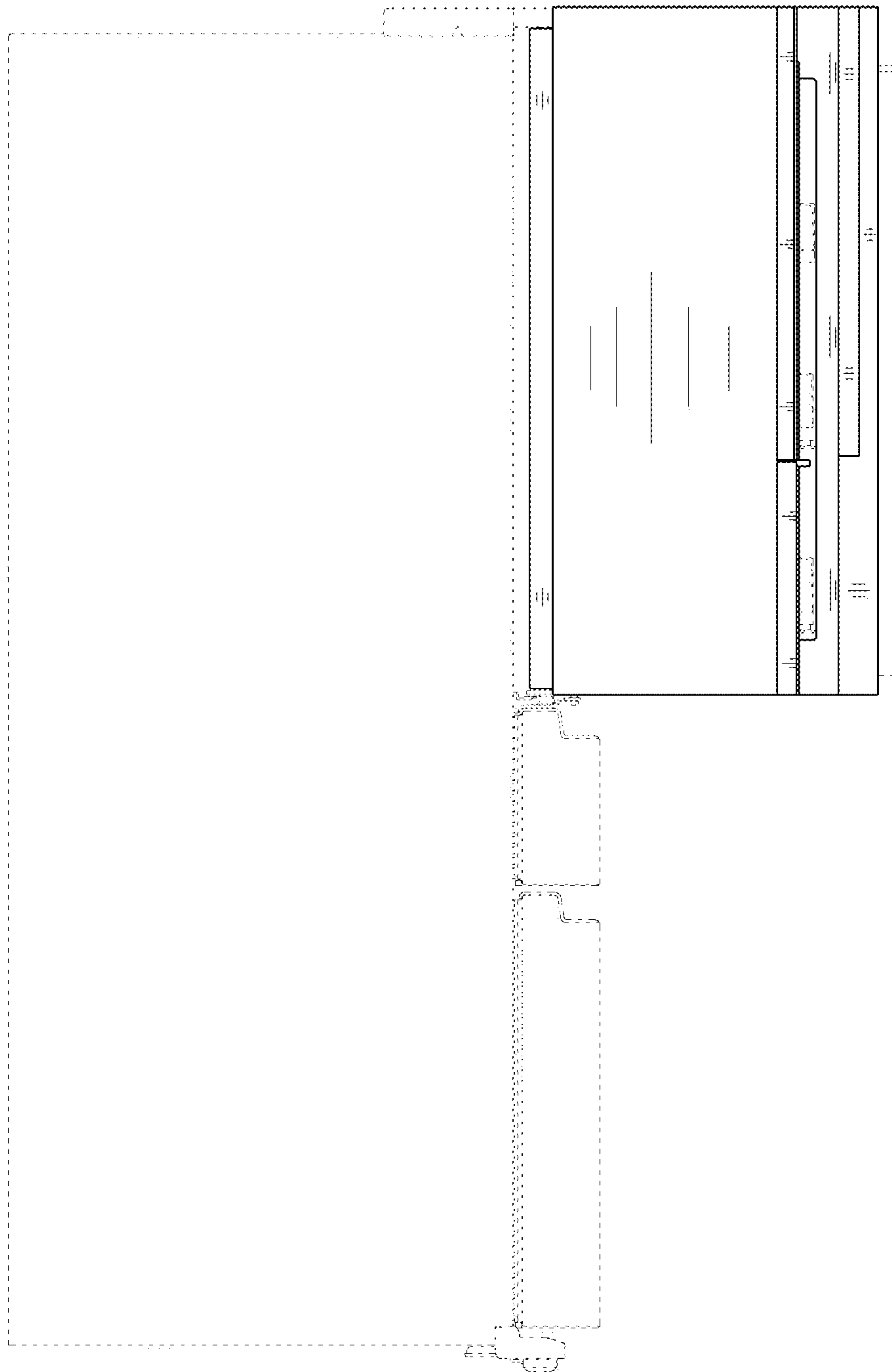




FIG. 5

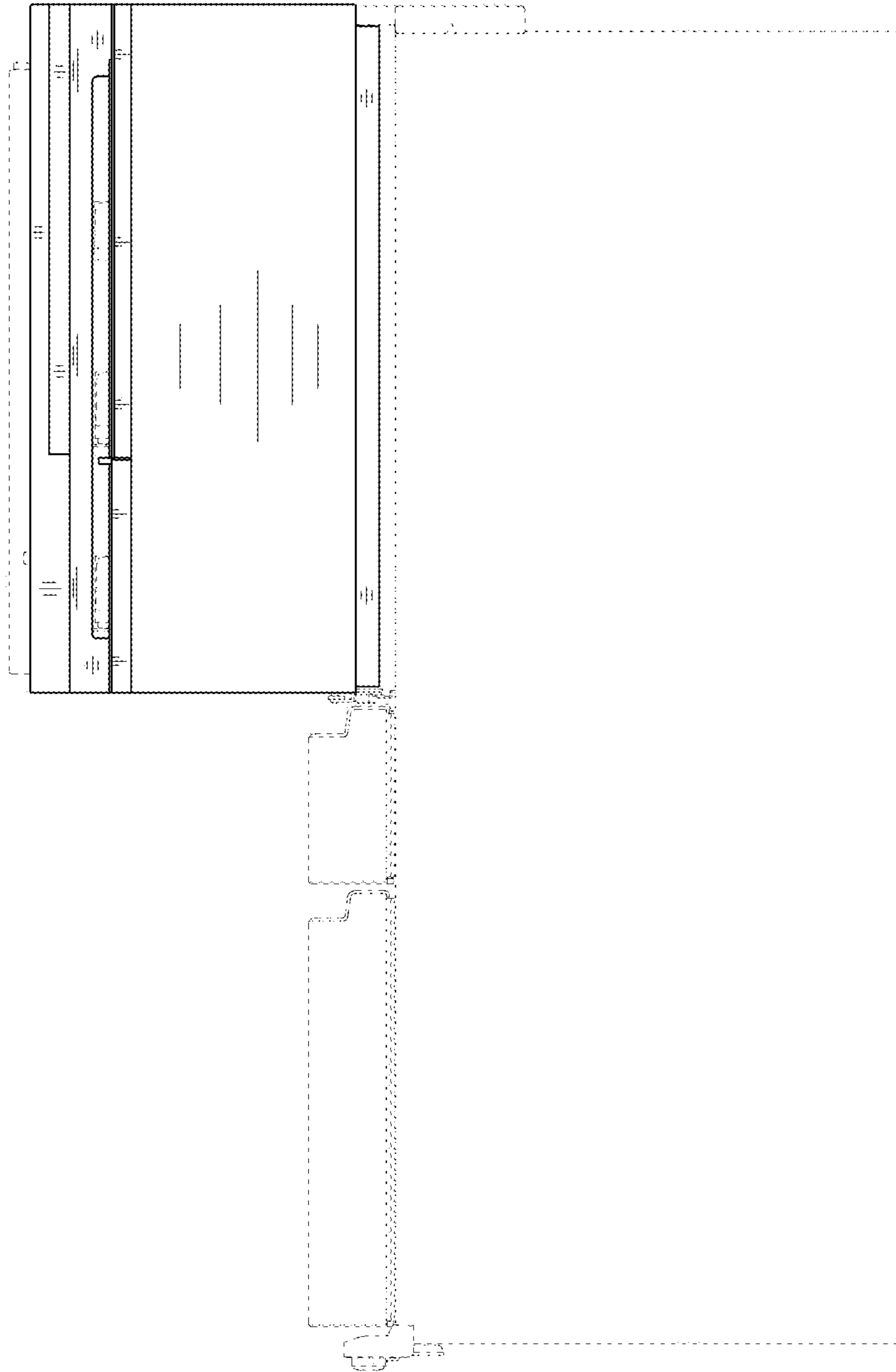


FIG. 6

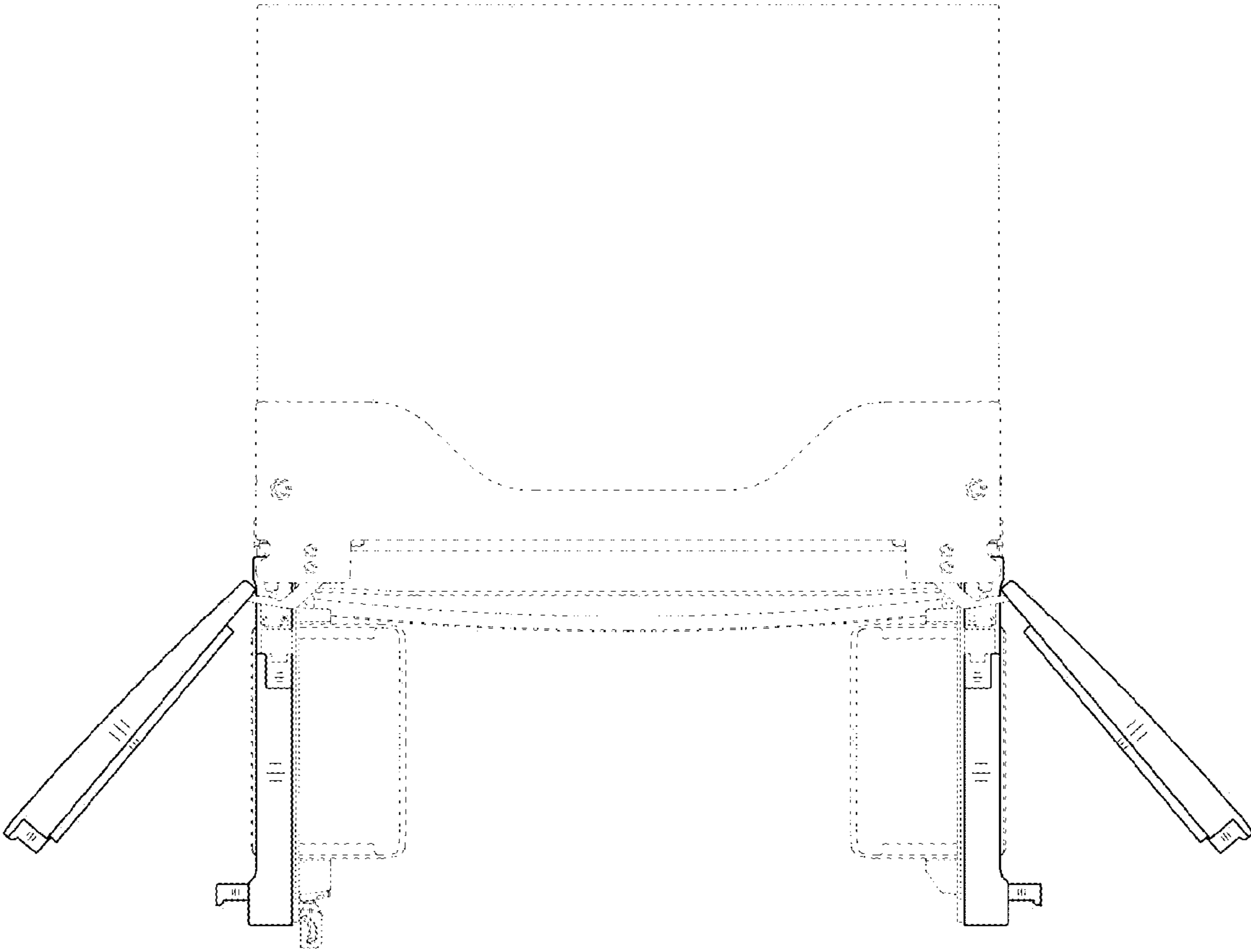


FIG. 7

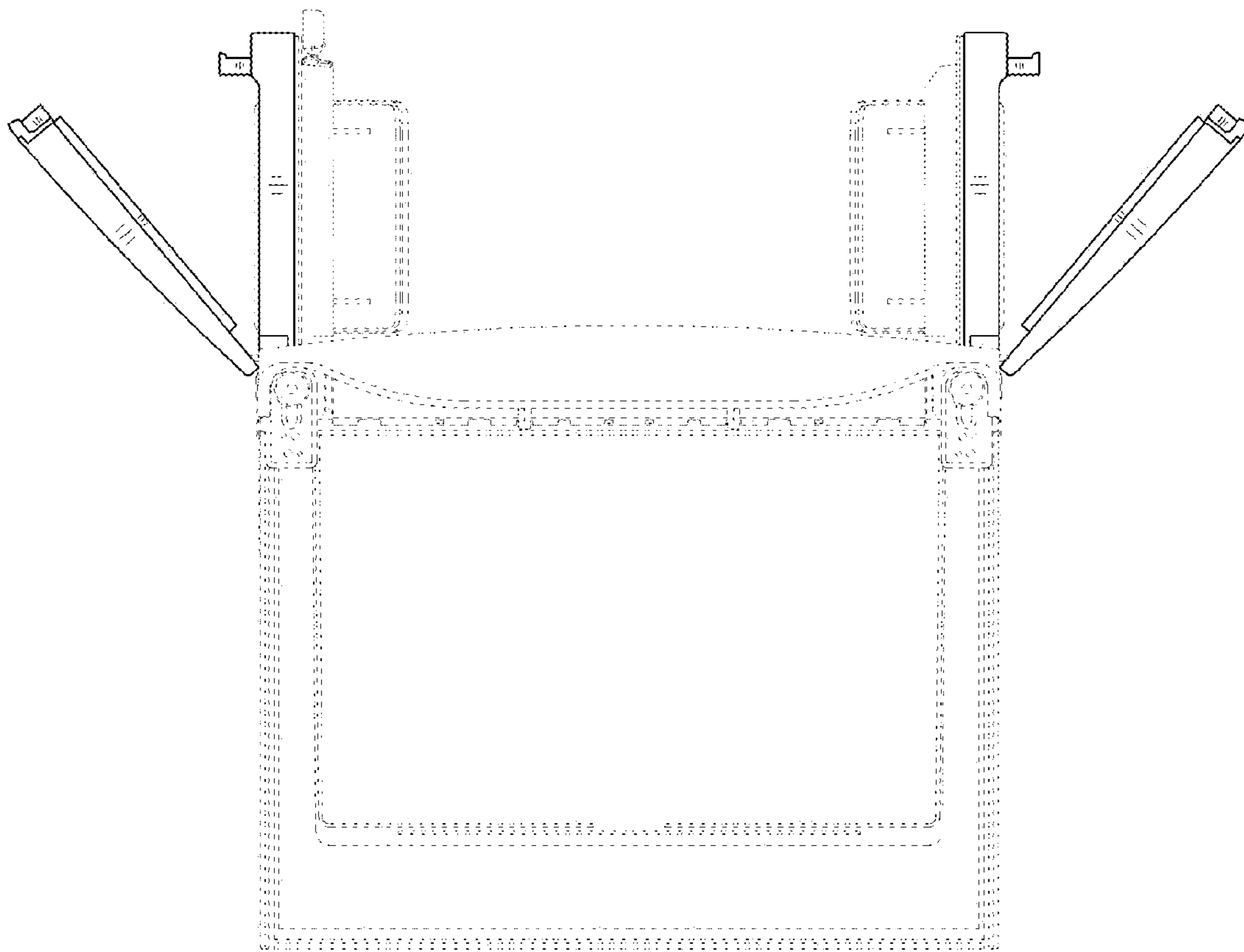




FIG. 8

