



US00D775672S

(12) **United States Design Patent**
Okuyama et al.

(10) **Patent No.:** **US D775,672 S**

(45) **Date of Patent:** **** Jan. 3, 2017**

(54) **TRACTOR**

(71) Applicant: **YANMAR CO., LTD.**, Osaka-shi,
Osaka (JP)

(72) Inventors: **Kiyoyuki Okuyama**, Yamagata (JP);
Junko Kudou, Osaka (JP)

(73) Assignee: **Yanmar Co., Ltd.**, Osaka (JP)

(**) Term: **15 Years**

(21) Appl. No.: **29/533,377**

(22) Filed: **Jul. 16, 2015**

(30) **Foreign Application Priority Data**

Jan. 19, 2015 (JP) D2015-852

(51) **LOC (10) Cl.** **12-09**

(52) **U.S. Cl.**
USPC **D15/28**

(58) **Field of Classification Search**
USPC D15/10, 11, 15, 17, 22, 23, 25, 26, 28,
D15/30; D26/28-36
CPC B62D 49/00; B62D 49/06; B62D 19/0671;
B62D 49/0692; B62D 33/06; B62D
33/0617

See application file for complete search history.

(56) **References Cited**

U.S. PATENT DOCUMENTS

D544,114 S	*	6/2007	Ohta	D26/28
D595,437 S	*	6/2009	Kurisu	D26/28
D645,591 S	*	9/2011	Kong	D26/28
D696,302 S	*	12/2013	Shimomura	D15/28
D720,874 S	*	1/2015	Jackson	D15/28

D721,105 S	*	1/2015	Okuyama	D15/31
D742,939 S	*	11/2015	Okuyama	D15/23
D746,496 S	*	12/2015	Loeb	D26/28
D755,256 S	*	5/2016	Okuyama	D15/31
D755,257 S	*	5/2016	Okuyama	D15/31
D756,551 S	*	5/2016	Handt	D26/28
D759,273 S	*	6/2016	Ogihara	D26/28
D760,815 S	*	7/2016	Okuyama	D15/31
D763,486 S	*	8/2016	Kwon	D26/28
D763,488 S	*	8/2016	Kwon	D26/28

* cited by examiner

Primary Examiner — Ian Simmons

Assistant Examiner — Khawaja Anwar

(74) *Attorney, Agent, or Firm* — Sterne, Kessler,
Goldstein & Fox P.L.L.C.

(57) **CLAIM**

The ornamental design for a tractor, as shown and described.

DESCRIPTION

FIG. 1 is a front perspective view of a tractor showing our new design;

FIG. 2 is a right side view thereof;

FIG. 3 is a left side view thereof;

FIG. 4 is a top view thereof;

FIG. 5 is a bottom view thereof;

FIG. 6 is a front view thereof;

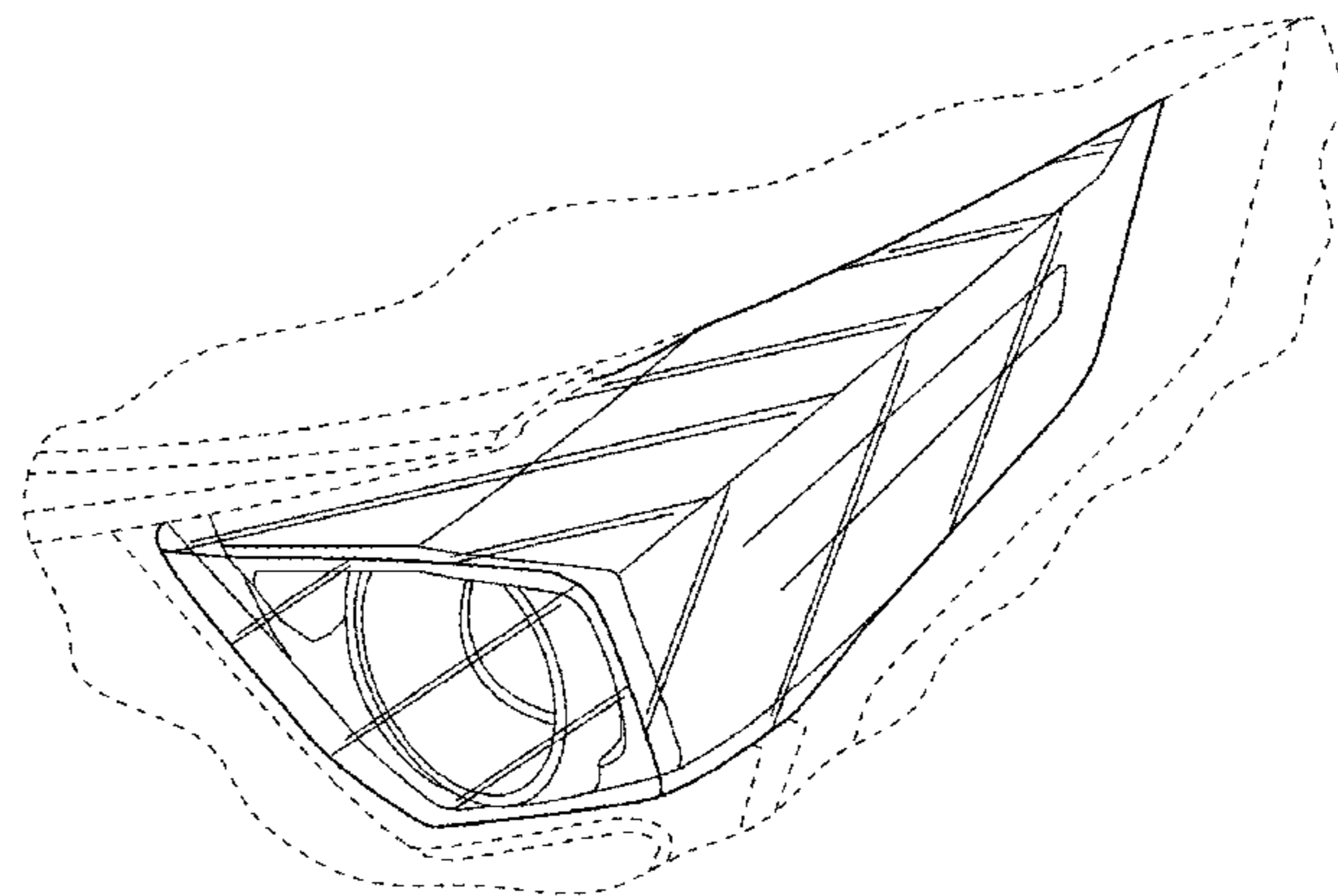
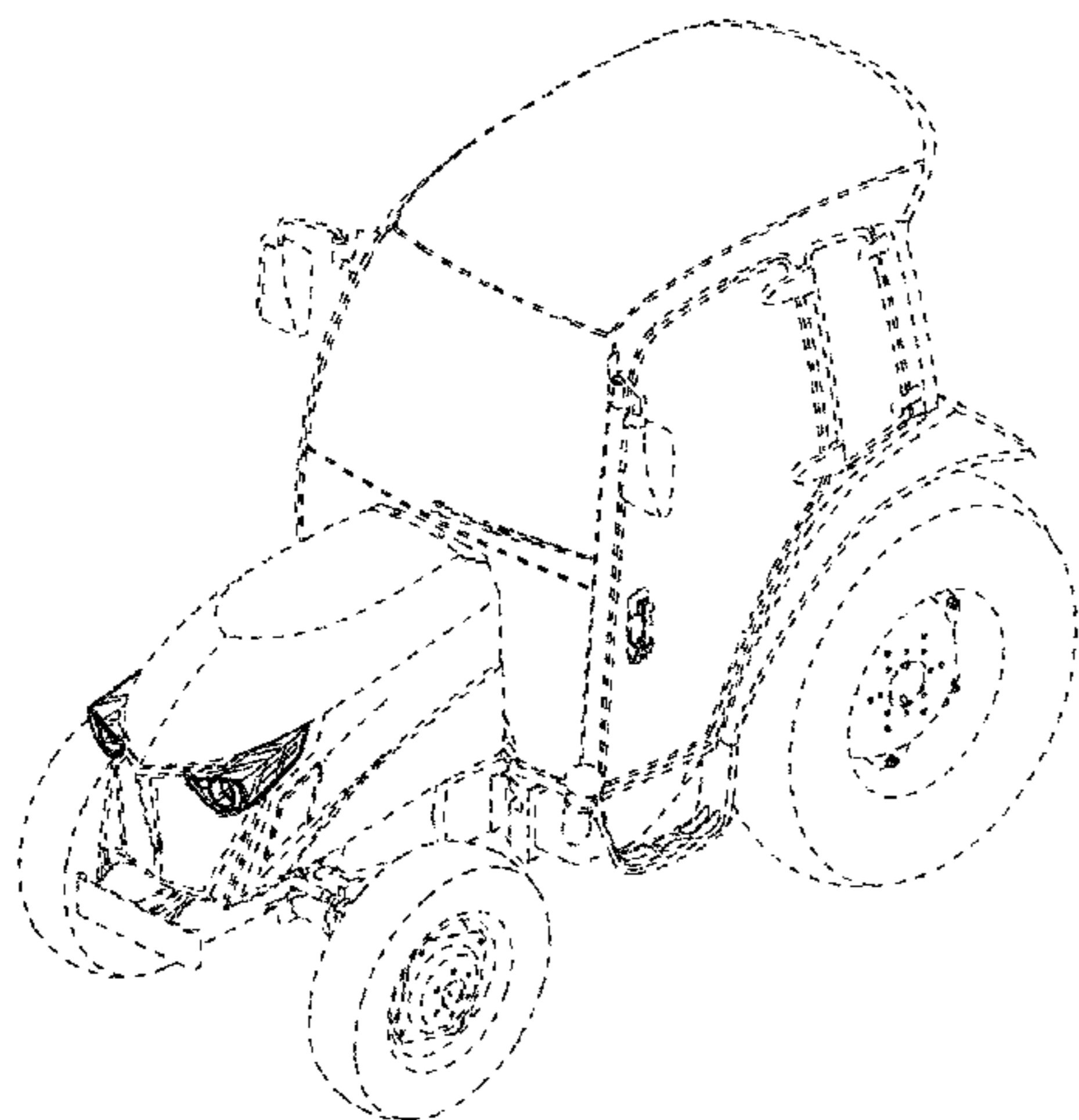
FIG. 7 is a rear view thereof; and,

FIG. 8 is an enlarged view of a portion of the tractor showing our new design.

The broken lines in the Figures show portions of the tractor that form no part of the claimed design.

The oblique shade lines in the Figures show transparency or translucency.

1 Claim, 8 Drawing Sheets



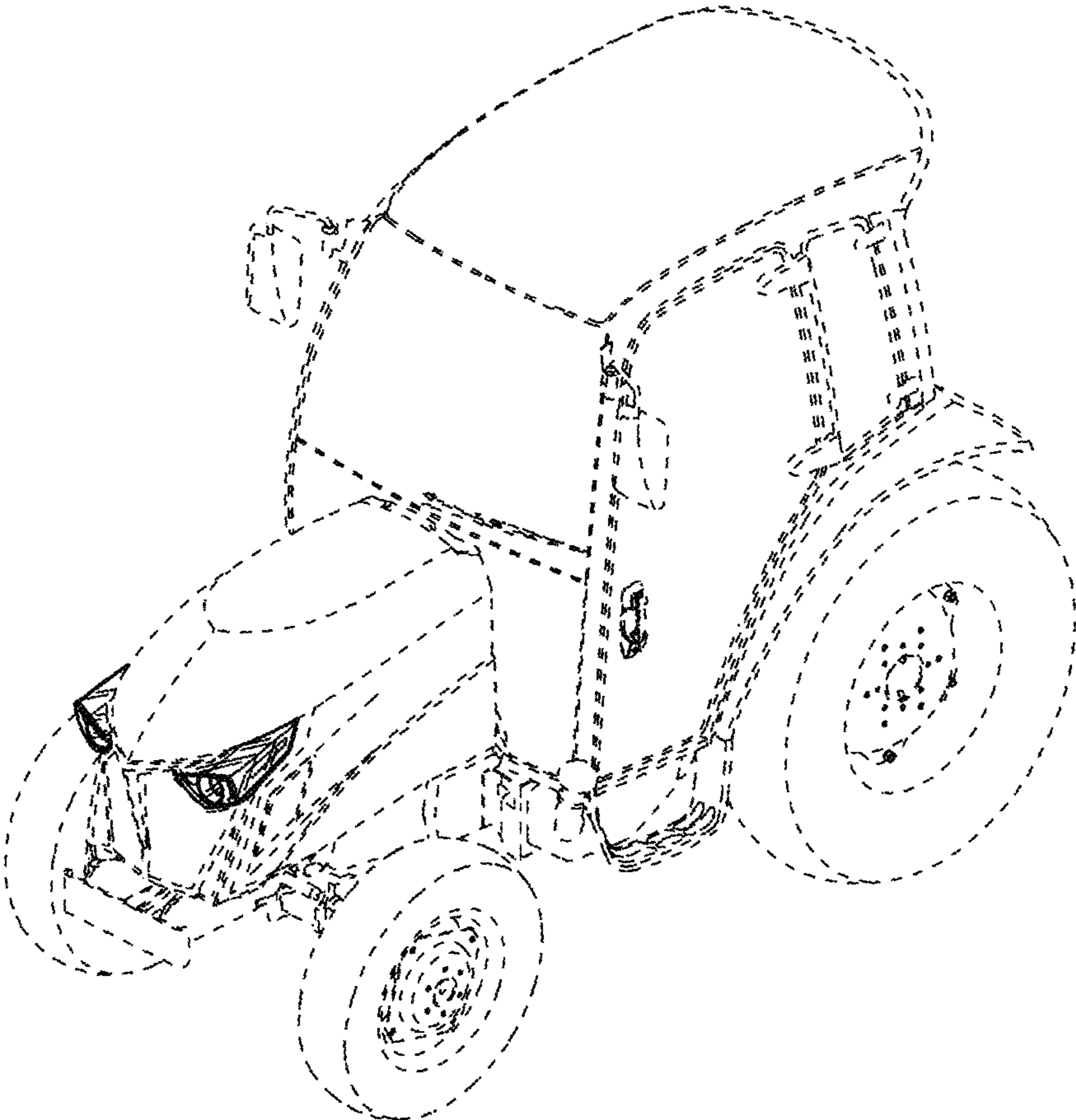


FIG. 1

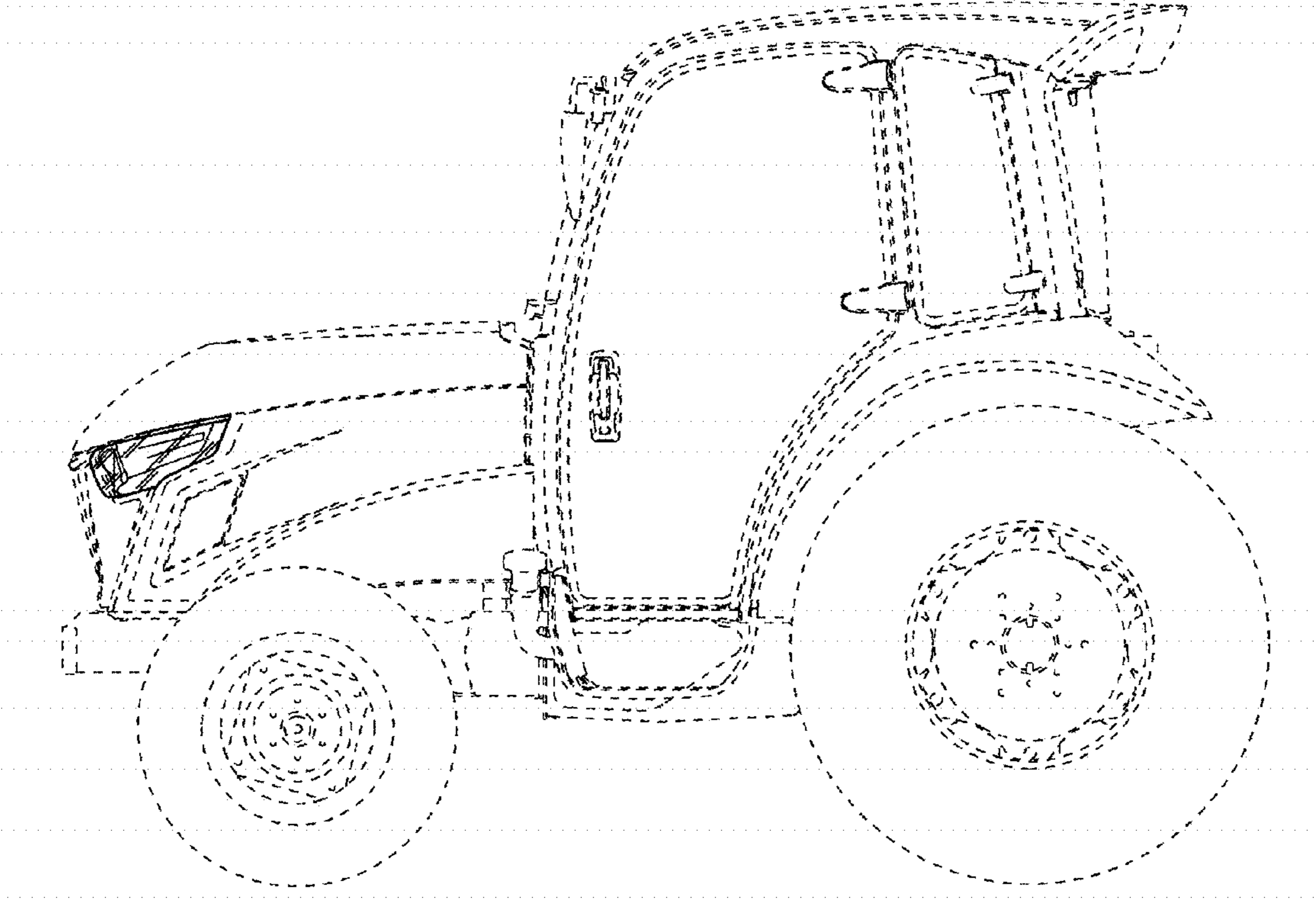


FIG. 2

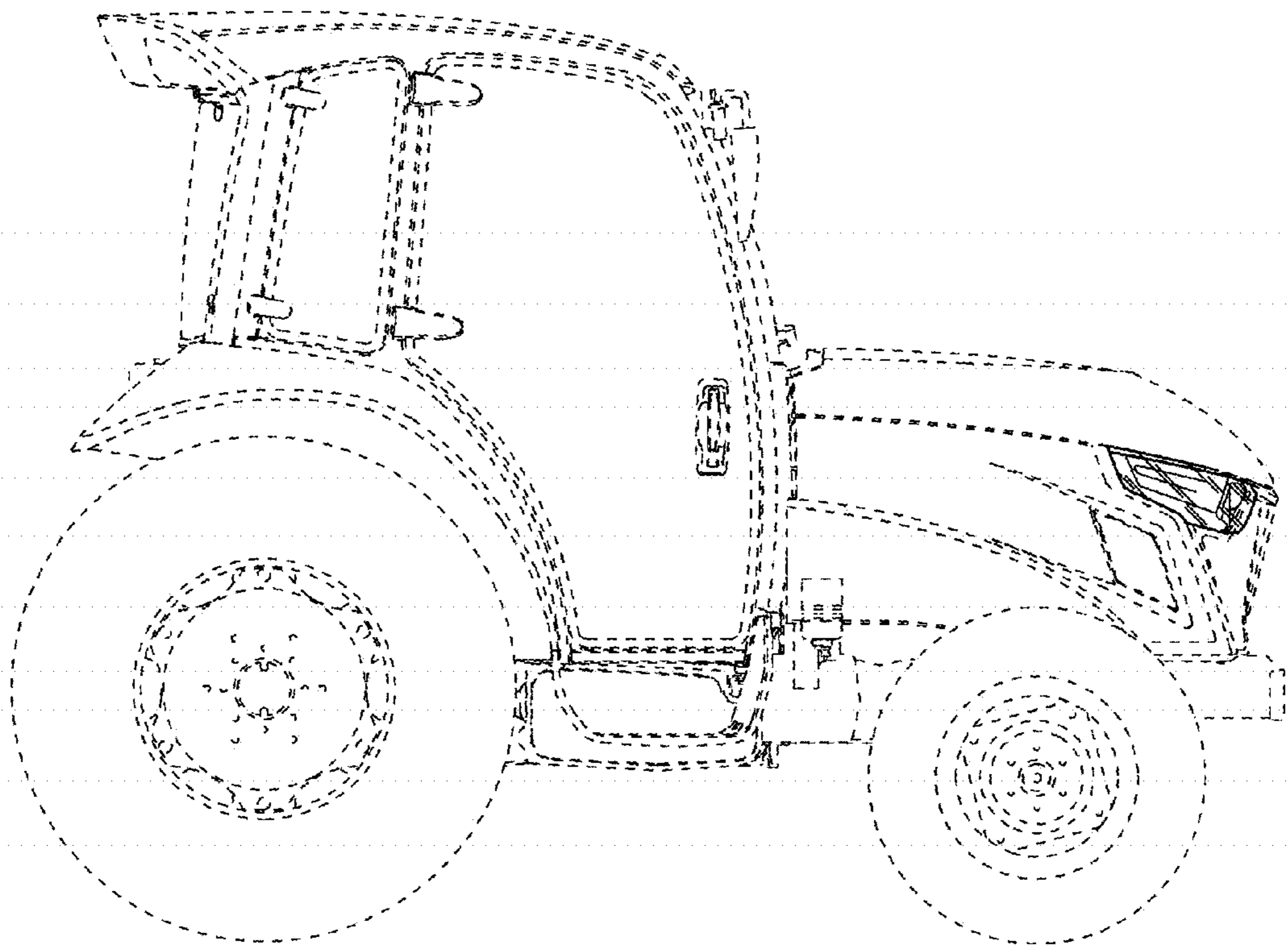


FIG. 3

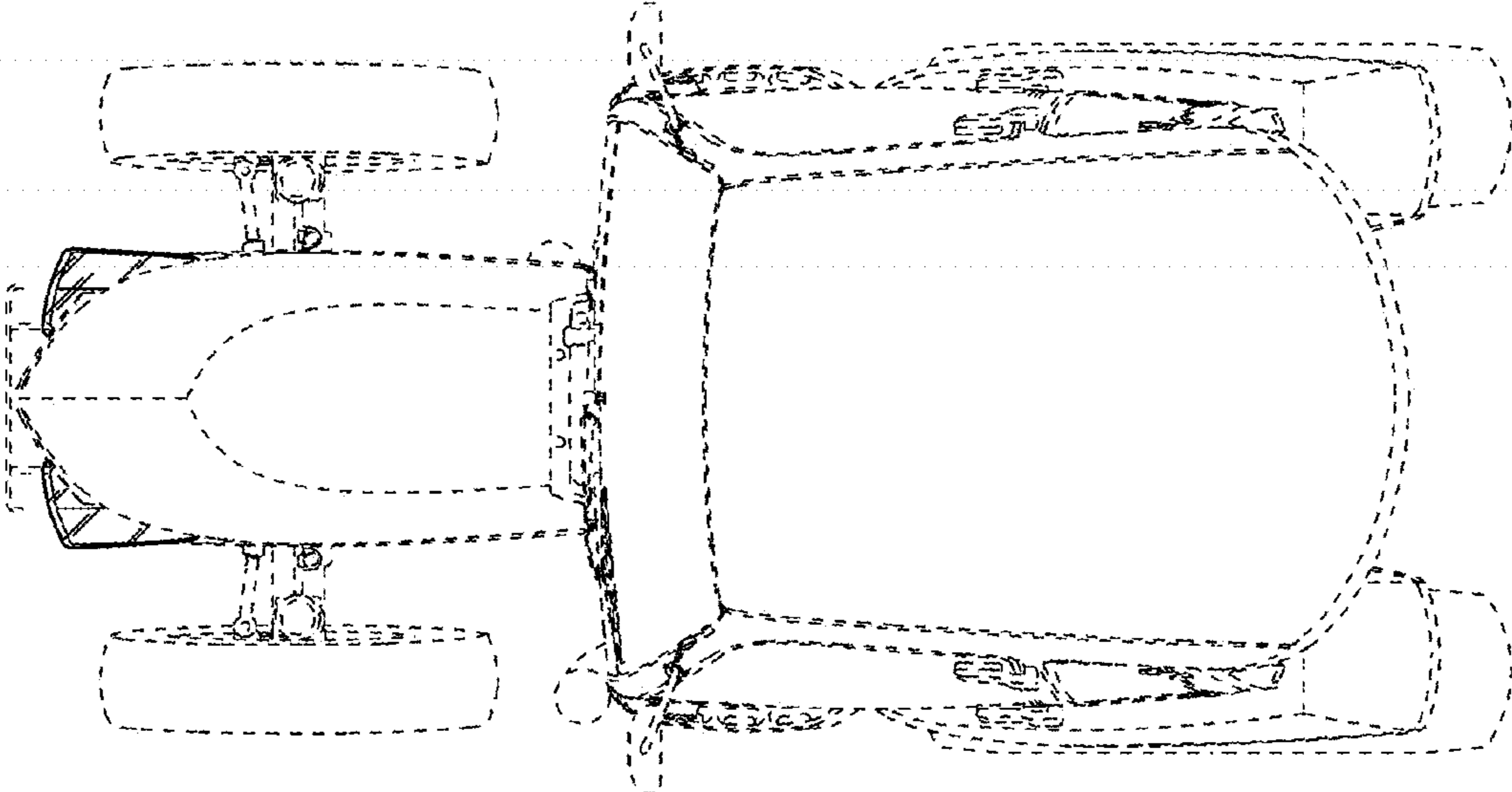


FIG. 4

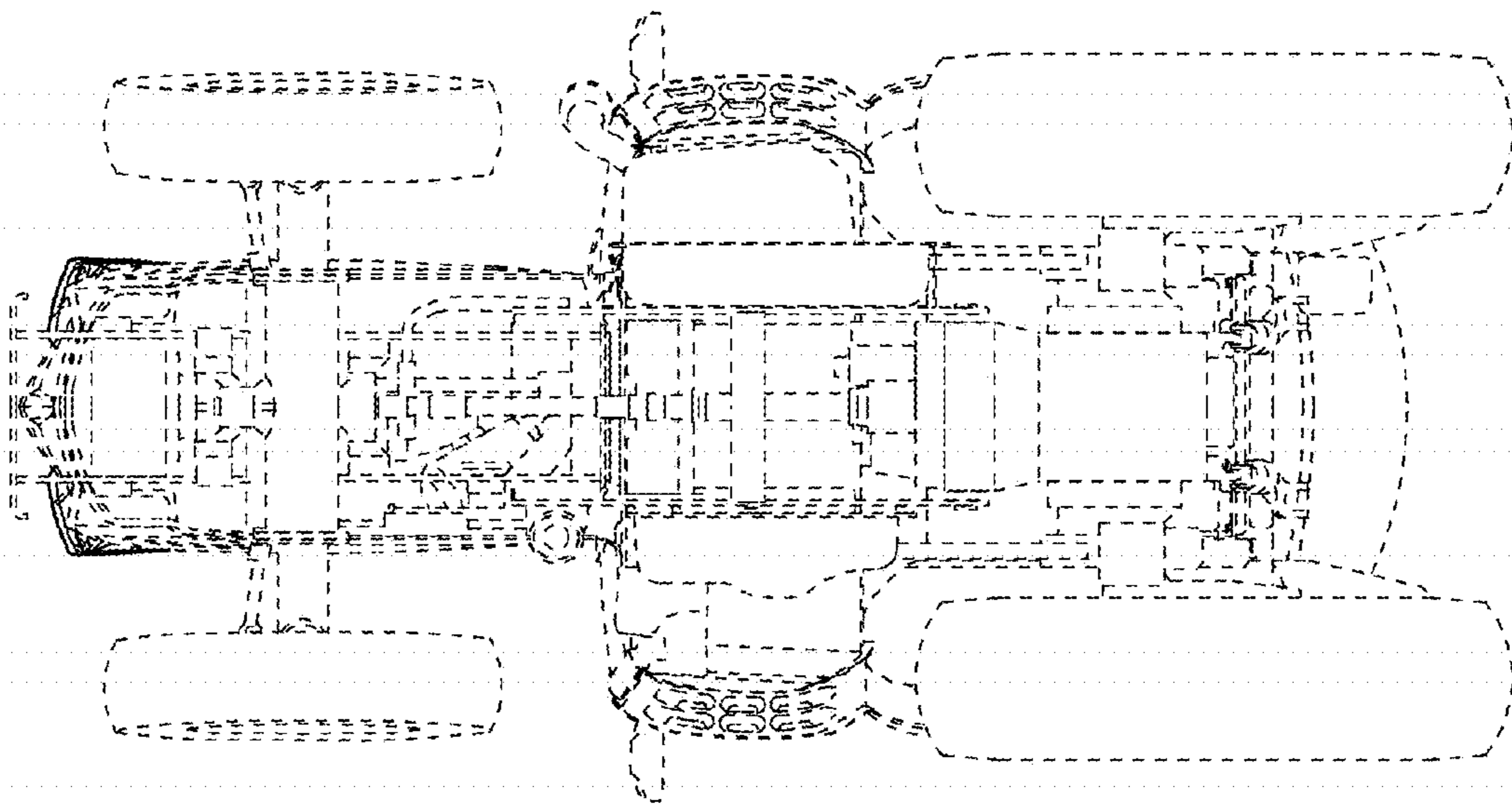


FIG. 5

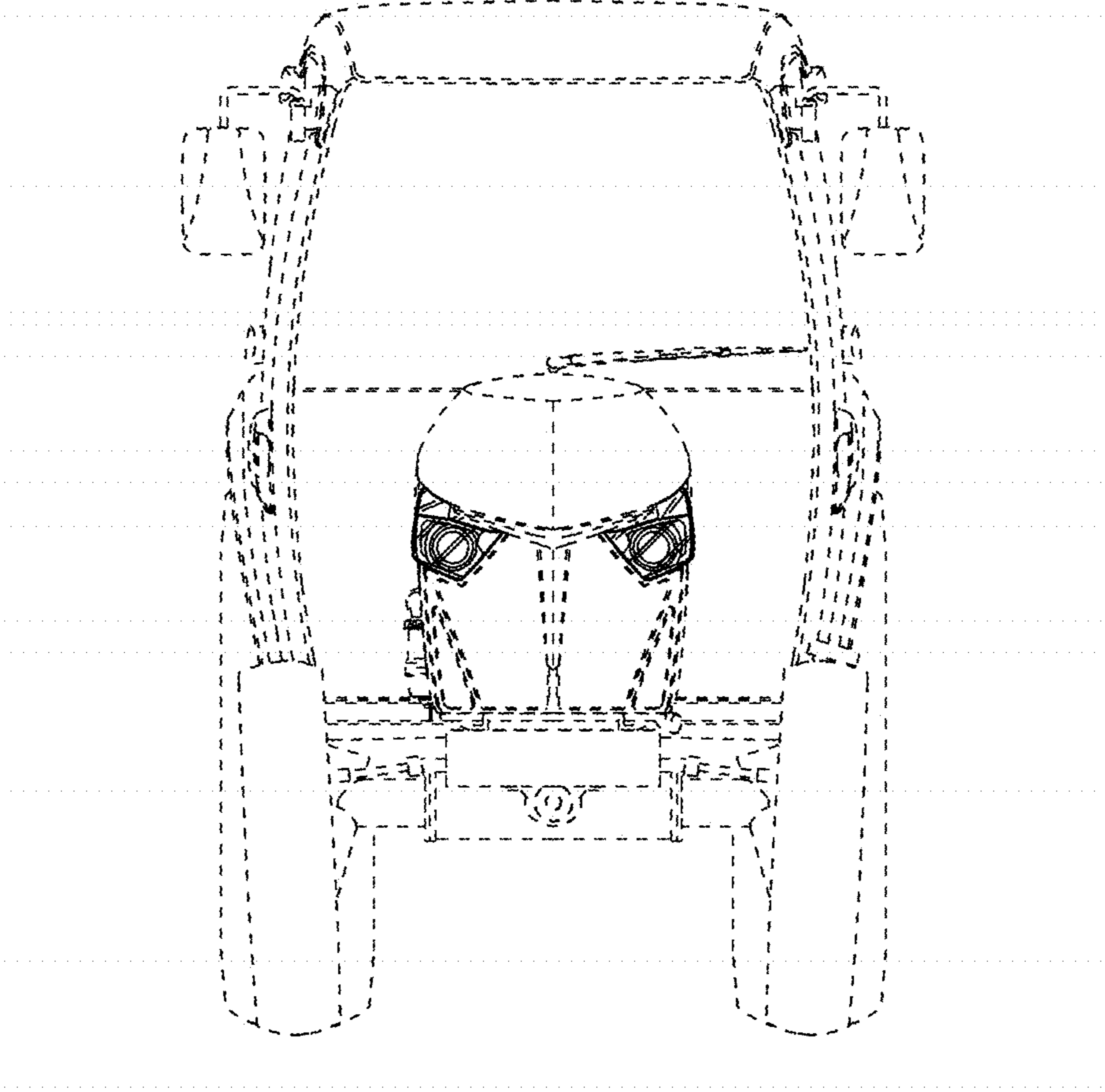


FIG. 6

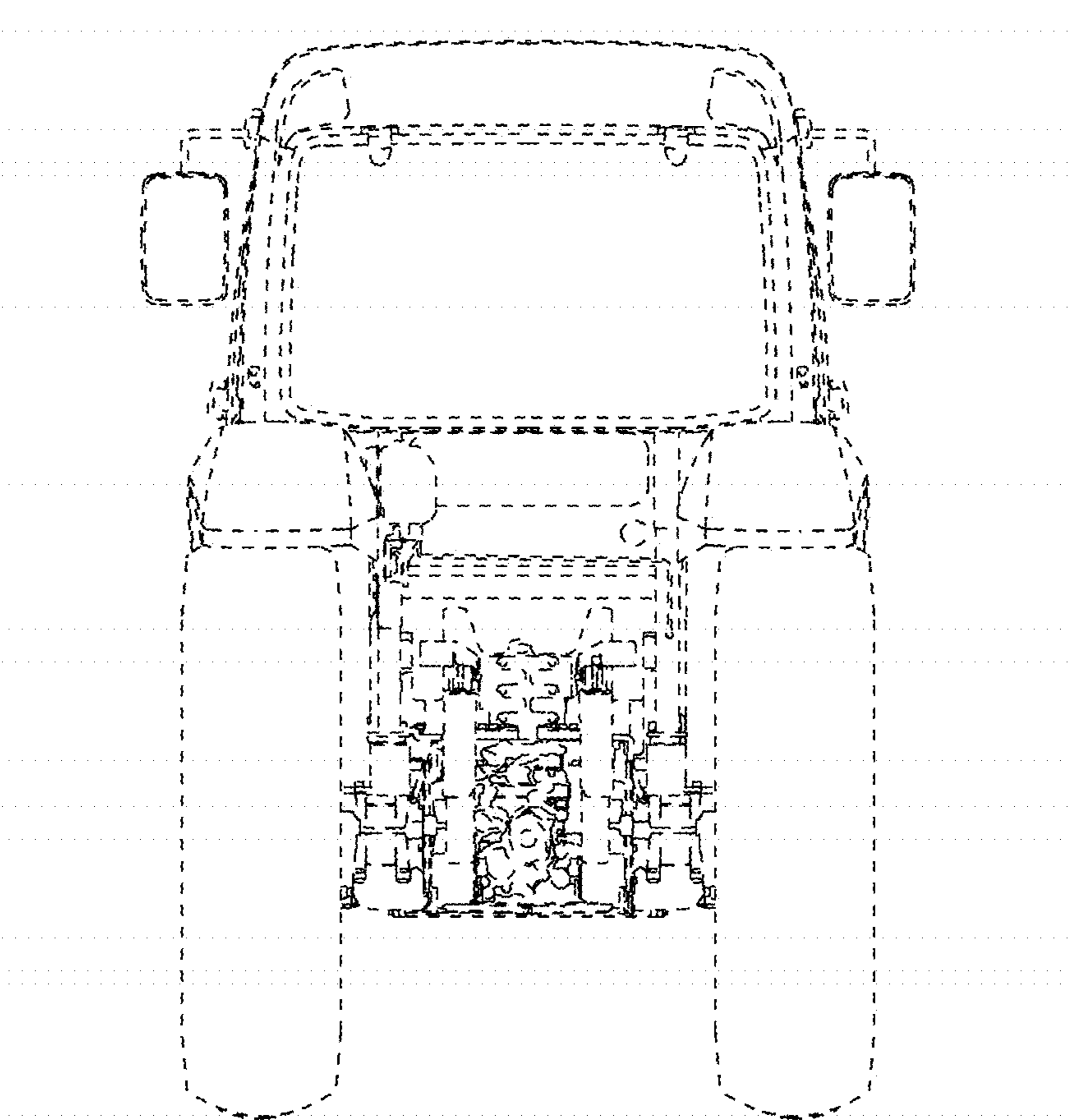


FIG. 7

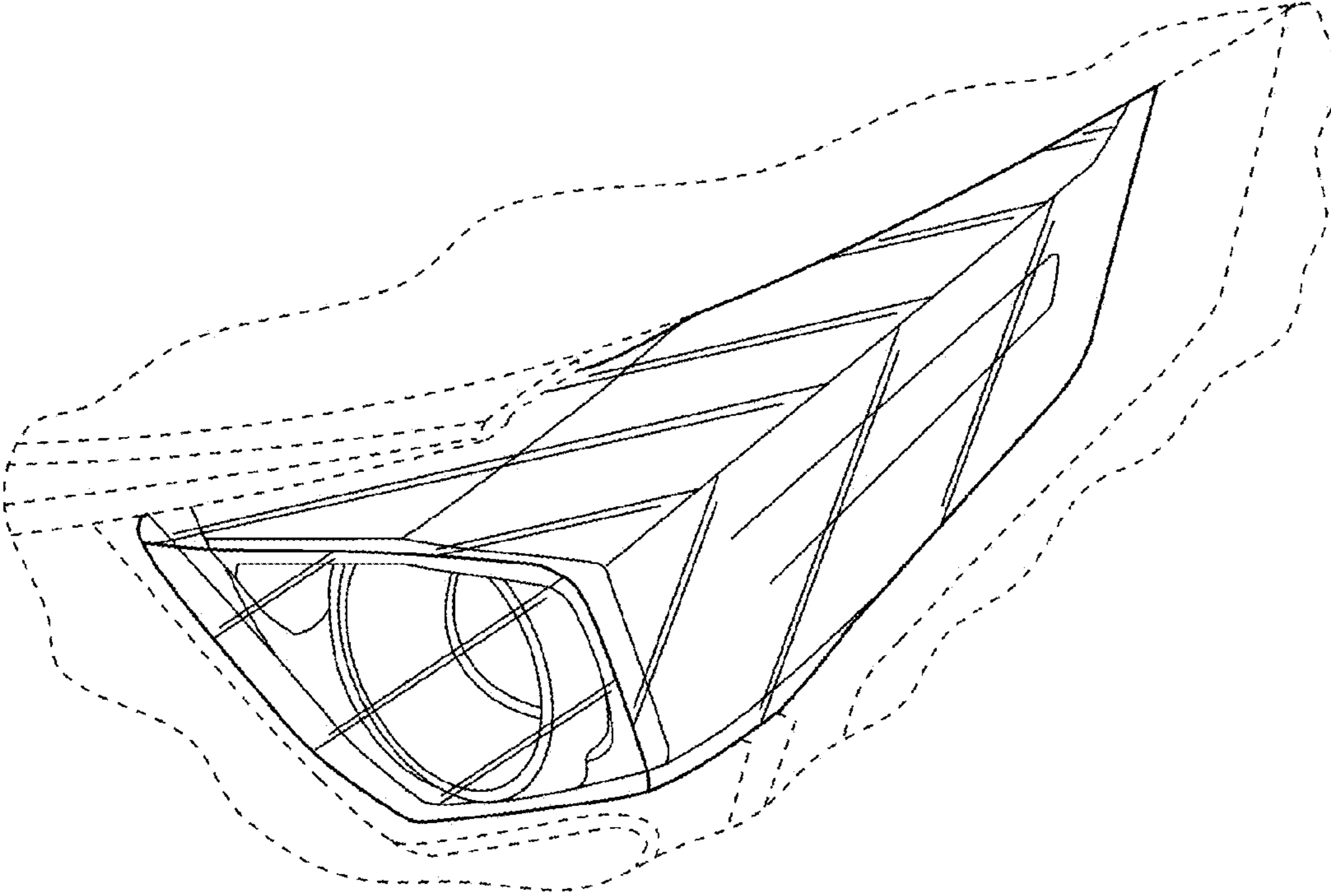


FIG. 8