



US00D775629S

(12) **United States Design Patent** (10) **Patent No.:** **US D775,629 S**  
**Xiang et al.** (45) **Date of Patent:** **\*\* Jan. 3, 2017**

(54) **MOUNTING ARM FOR A FLAT PANEL DISPLAY**  
(71) Applicant: **LOCTEK VISUAL TECHNOLOGY CORP.**, Ningbo (CN)  
(72) Inventors: **Lehong Xiang**, Ningbo (CN); **Qiang Chen**, Ningbo (CN); **Yangcheng Qian**, Ningbo (CN)  
(73) Assignee: **LOCTEK VISUAL TECHNOLOGY CORP.** (CN)  
(\*\*) Term: **14 Years**  
(21) Appl. No.: **29/486,000**  
(22) Filed: **Mar. 25, 2014**  
(51) **LOC (10) Cl.** ..... **08-07**  
(52) **U.S. Cl.**  
USPC ..... **D14/452**  
(58) **Field of Classification Search**  
USPC ..... D14/371–382, 125–129, 336, 337, D14/447–452, 492, 335, 239, 457, D14/439–441, 432, 251–253; D8/349, D8/354, 363, 373, 376, 380; D21/333; D12/415; D3/218; 348/180, 348/184, 325, 348/739, 825; 248/323, 278.1, 286.1  
CPC ..... G06F 3/0412; G06F 3/016; G06F 3/0488; G06F 3/011; G06F 3/038; G06F 3/03543; G06F 3/0338; G06F 3/0202; G06F 3/0219; G06F 3/0213; G06F 1/1616; G06F 3/023; G06F 3/04883; G02F 1/13338; G02F 1/1313; G02F 1/1333; G02F 1/135; G02F 1/132; G02F 1/133308; G02F 1/134309; G02F 1/13718; G09G 3/3648; G06K 15/1252; B41J 2/465; G03F 7/70291; G02B 27/0172; G02B 5/30; G02B 2027/0118; G02B 27/0101; F16M 13/02; F16M 13/00; F16M 11/10; F16M 11/04; F16M 2200/08; F16M 11/2021; A47B 21/0314; A47B 88/044; A47B 2021/0335; H02G 3/126; F16B 47/00; F16B 47/006; A47G 1/17; A47K 2201/00

See application file for complete search history.

(56) **References Cited**  
U.S. PATENT DOCUMENTS  
D386,158 S \* 11/1997 Rosen ..... D14/375  
D496,367 S \* 9/2004 Pfister ..... D14/451  
7,677,515 B2 \* 3/2010 Oddsen et al. .... 248/274.1  
D623,635 S \* 9/2010 Molter et al. .... D14/239  
D627,474 S \* 11/2010 Nordgren et al. .... D24/185  
D630,197 S \* 1/2011 Molter et al. .... D14/239  
D631,038 S \* 1/2011 Molter et al. .... D14/239  
D633,484 S \* 3/2011 Molter et al. .... D14/239  
D634,607 S \* 3/2011 Molter et al. .... D8/363  
D640,673 S \* 6/2011 Molter et al. .... D14/239  
D651,199 S \* 12/2011 Huang ..... D14/239  
D655,297 S \* 3/2012 Magnusson ..... D14/452  
D660,845 S \* 5/2012 Schmauch et al. .... D14/452  
D666,180 S \* 8/2012 Molter ..... D14/239  
D666,207 S \* 8/2012 Brandt ..... D14/452  
D667,391 S \* 9/2012 Dolack ..... D14/239  
D729,815 S \* 5/2015 Anderson ..... D14/452  
2007/0221794 A1 \* 9/2007 Li ..... 248/124.1

\* cited by examiner

*Primary Examiner* — Garth Rademaker  
*Assistant Examiner* — Katie S Mroczka  
(74) *Attorney, Agent, or Firm* — Marger Johnson

(57) **CLAIM**  
The ornamental design for a mounting arm for a flat panel display, as shown and described.

**DESCRIPTION**  
FIG. 1 is a front view of a mounting arm for a flat panel display;  
FIG. 2 is a back view thereof;  
FIG. 3 is a top view thereof;  
FIG. 4 is a bottom view thereof;  
FIG. 5 is a left view thereof;  
FIG. 6 is a right view thereof; and,  
FIG. 7 is a perspective view thereof.

**1 Claim, 6 Drawing Sheets**

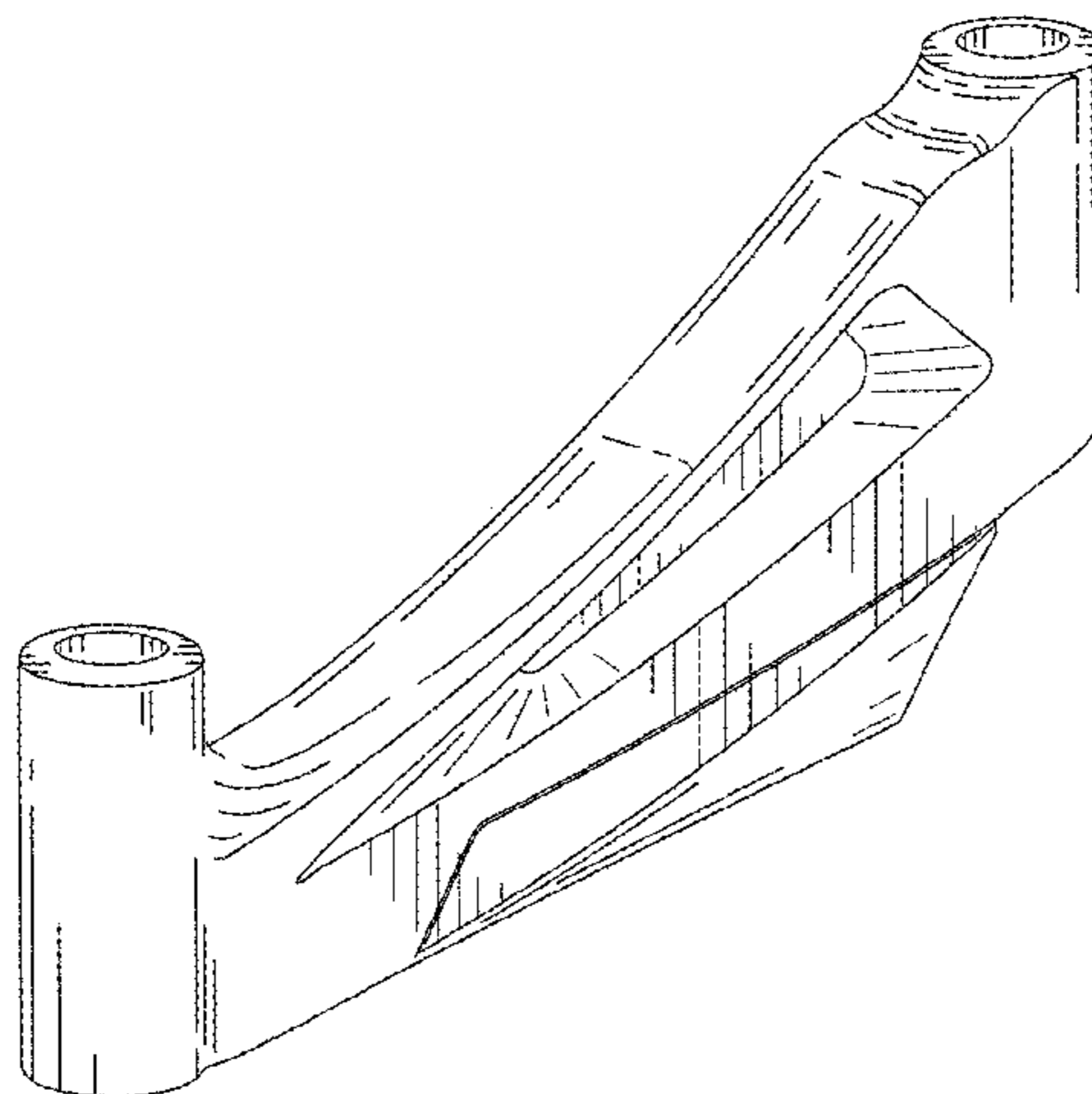


Fig. 1

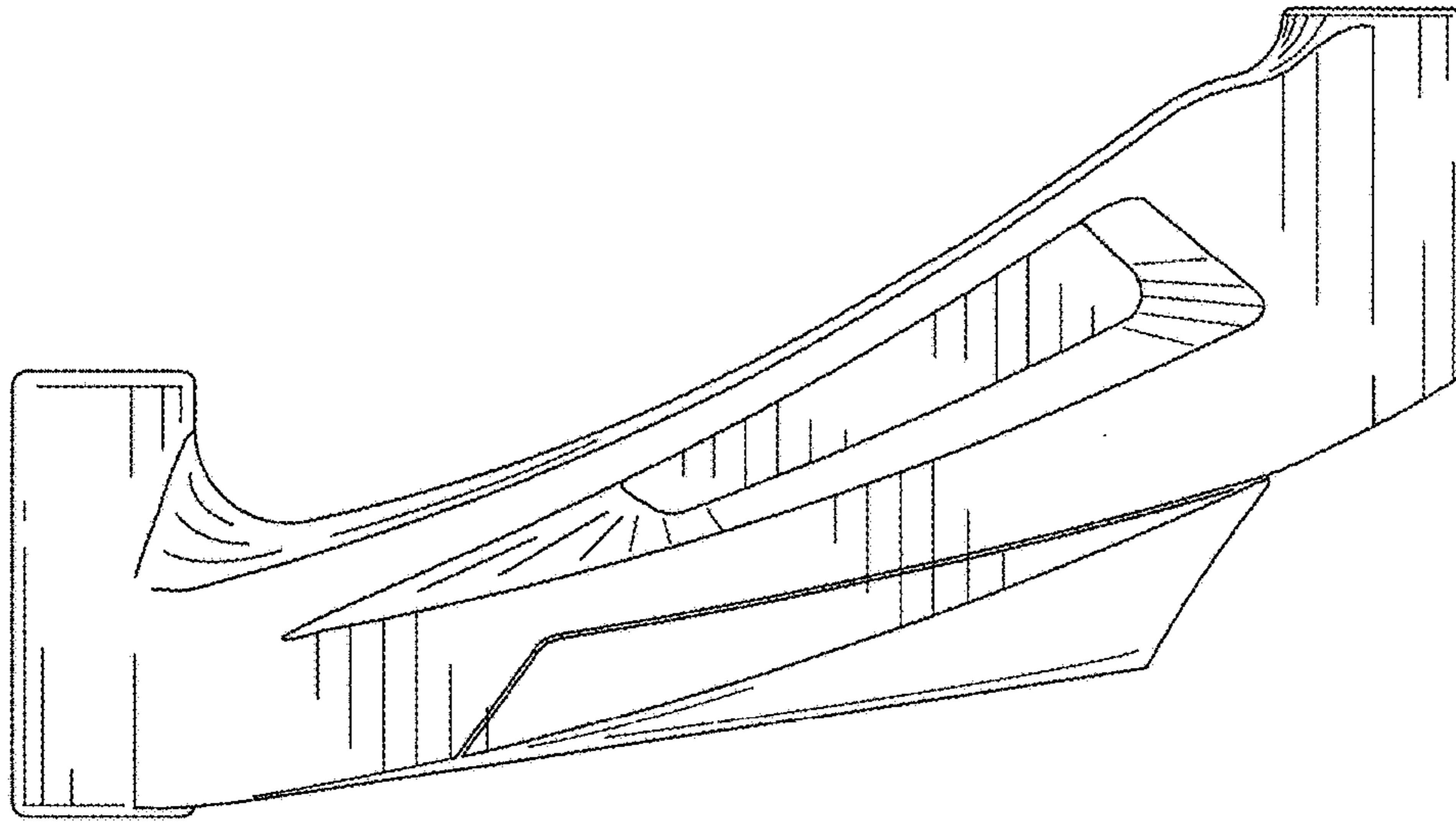
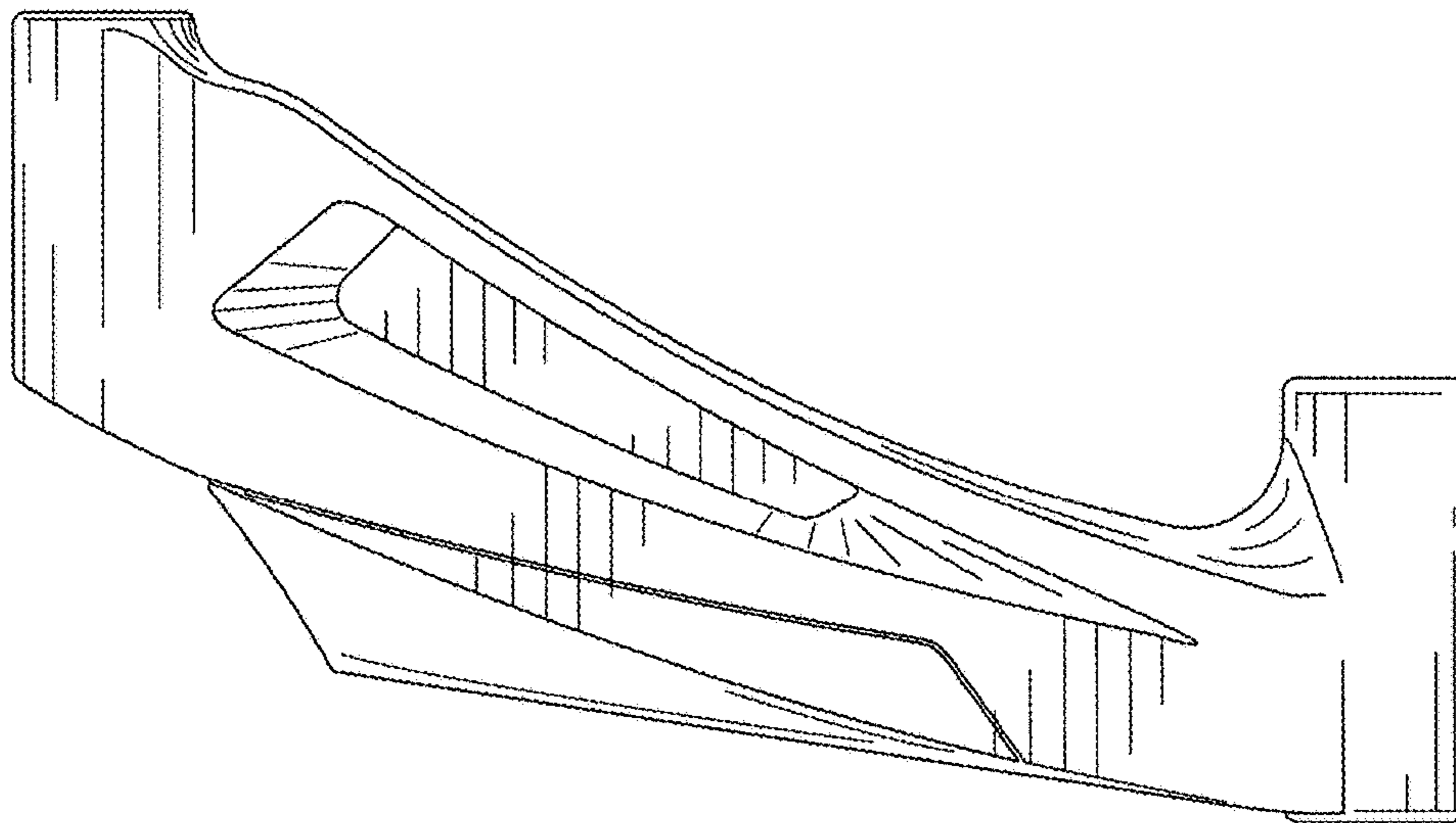
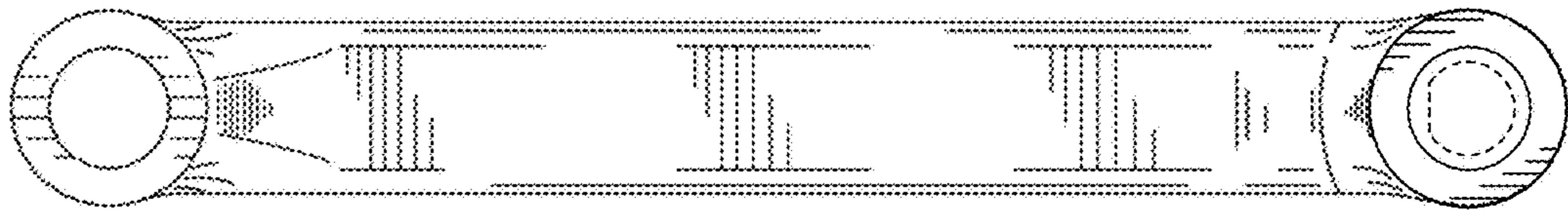
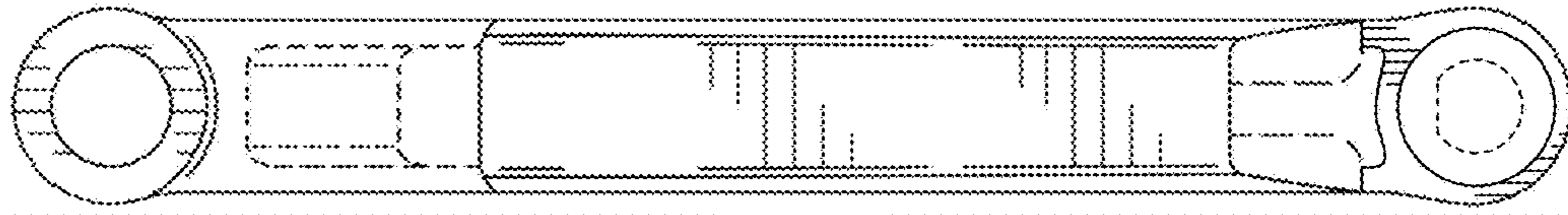


Fig. 2



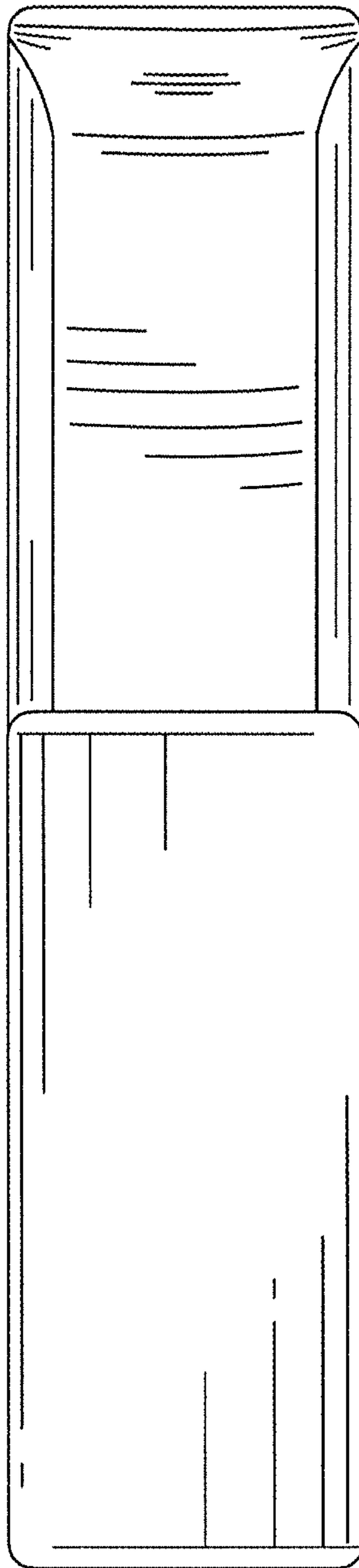


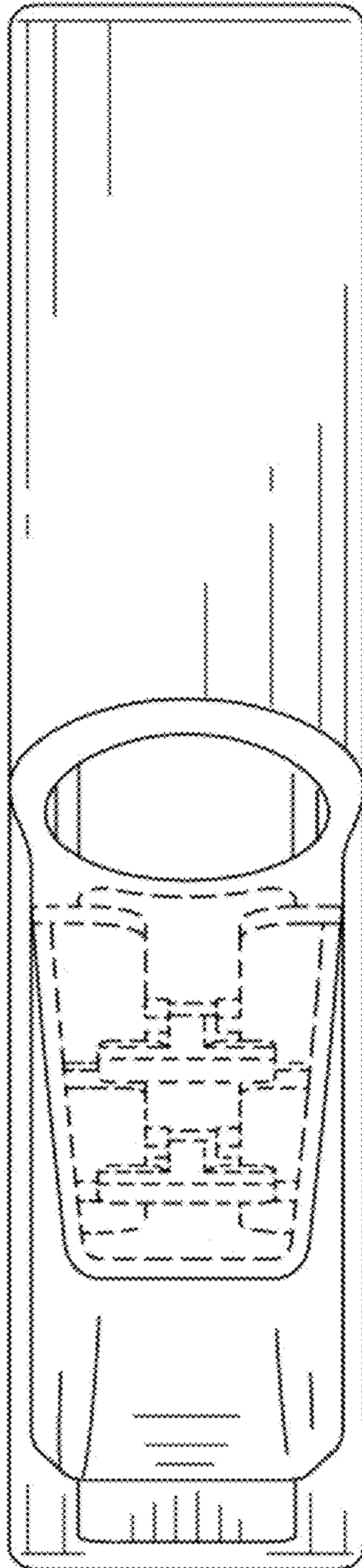
**FIG. 3**



**FIG. 4**

Fig. 5





**FIG. 6**

Fig. 7

